

# CBS50

CB S 50 48 12 - □

① ② ③ ④ ⑤ ⑥



RoHS



- ① Series name
- ② Single output
- ③ Output wattage
- ④ Input voltage  
24 :DC18 - 36V  
48 :DC36 - 76V
- ⑤ Output voltage
- ⑥ Optional  
R :with Remote ON/OFF  
Positive logic control  
T :with Mounting hole  
φ 3.4 thru  
□ :with Addition of a  
Heat sink

| MODEL                        | CBS50241R8 | CBS50242R5 | CBS502403  | CBS502405 | CBS502412 | CBS502415 | CBS502424 | CBS502428 |
|------------------------------|------------|------------|------------|-----------|-----------|-----------|-----------|-----------|
| <b>MAX OUTPUT WATTAGE[W]</b> | 21.06      | 29.25      | 38.6       | 50.0      | 50.4      | 51.0      | 50.4      | 50.4      |
| <b>DC OUTPUT</b>             | 1.8V 11.7A | 2.5V 11.7A | 3.3V 11.7A | 5V 10A    | 12V 4.2A  | 15V 3.4A  | 24V 2.1A  | 28V 1.8A  |

## SPECIFICATIONS

|  | MODEL   | CBS50241R8                                | CBS50242R5  | CBS502403   | CBS502405   | CBS502412     | CBS502415     | CBS502424     | CBS502428     |        |
|--|---|---|-------------|-------------|-------------|---------------|---------------|---------------|---------------|--------|
| INPUT  | <b>VOLTAGE[V]</b>                                     | DC18 - 36                                 |             |             |             |               |               |               |               |        |
|  | <b>CURRENT[A]</b> *1                                  | 1.24typ                                   | 1.58typ     | 2.04typ     | 2.48typ     | 2.39typ       | 2.44typ       | 2.41typ       | 2.41typ       |        |
|  | <b>EFFICIENCY[%]</b> *1                               | 71typ                                     | 77typ       | 79typ       | 84typ       | 88typ         | 87typ         | 87typ         | 87typ         |        |
| OUTPUT                                       | <b>VOLTAGE[V]</b>                                     | 1.8                                       | 2.5         | 3.3         | 5           | 12            | 15            | 24            | 28            |        |
|  | <b>CURRENT[A]</b>                                     | 11.7                                      | 11.7        | 11.7        | 10          | 4.2           | 3.4           | 2.1           | 1.8           |        |
|  | <b>LINE REGULATION[mV]</b>                            | 10max                                     | 10max       | 10max       | 10max       | 24max         | 30max         | 48max         | 56max         |        |
|  | <b>LOAD REGULATION[mV]</b>                            | 10max                                     | 10max       | 10max       | 10max       | 24max         | 30max         | 48max         | 56max         |        |
|  | <b>RIPPLE[mVp-p]</b>                                  | -20 to +100°C *2                          | 80max       | 80max       | 80max       | 80max         | 120max        | 120max        | 120max        | 120max |
|  |   | -40 to -20°C *2                           | 120max      | 120max      | 120max      | 120max        | 150max        | 150max        | 150max        | 150max |
|  | <b>RIPPLE NOISE[mVp-p]</b>                            | -20 to +100°C *2                          | 120max      | 120max      | 120max      | 120max        | 150max        | 150max        | 150max        | 150max |
|  |   | -40 to -20°C *2                           | 200max      | 200max      | 200max      | 200max        | 200max        | 200max        | 250max        | 250max |
|  | <b>TEMPERATURE REGULATION[mV]</b>                     | 0 to +65°C                                | 35max       | 35max       | 35max       | 50max         | 120max        | 150max        | 240max        | 280max |
|  |   | -40 to +100°C                             | 66max       | 66max       | 66max       | 100max        | 240max        | 300max        | 480max        | 560max |
| <b>DRIFT[mV]</b> *3                          | 16max   | 16max                                     | 16max       | 20max       | 40max       | 60max         | 90max         | 90max         |               |        |
| <b>START-UP TIME[ms]</b>                     | 200max (DCIN 24V, Io=100%)                            |   |             |             |             |               |               |               |               |        |
| <b>OUTPUT VOLTAGE ADJUSTMENT RANGE[V]</b> *4 | Fixed (TRM pin open), adjustable by external resistor |   |             |             |             |               |               |               |               |        |
| <b>OUTPUT VOLTAGE SETTING[V]</b>             | 1.70 - 1.98   | 1.98 - 2.75                               | 1.98 - 3.63 | 3.0 - 5.5   | 7.2 - 13.2  | 9.0 - 16.5    | 14.4 - 26.4   | 16.8 - 30.8   |               |        |
| <b>OVERCURRENT PROTECTION</b>                | Works over 105% of rating and recovers automatically  |   |             |             |             |               |               |               |               |        |
| PROTECTION CIRCUIT AND OTHERS                | <b>OVERVOLTAGE PROTECTION[V]</b>                      | 2.16 - 2.88                               | 3.00 - 4.00 | 4.00 - 5.50 | 5.75 - 7.00 | 13.80 - 16.80 | 17.25 - 21.00 | 27.60 - 33.60 | 32.20 - 39.20 |        |
|  | <b>REMOTE SENSING</b>                                 | Provided                                  |             |             |             |               |               |               |               |        |
|  | <b>REMOTE ON/OFF</b>                                  | Provided (Negative logic L : ON, H : OFF) |             |             |             |               |               |               |               |        |

| MODEL                        | CBS50481R8 | CBS50482R5 | CBS504803  | CBS504805 | CBS504812 | CBS504815 | CBS504824 | CBS504828 |
|------------------------------|------------|------------|------------|-----------|-----------|-----------|-----------|-----------|
| <b>MAX OUTPUT WATTAGE[W]</b> | 21.06      | 29.25      | 38.6       | 50.0      | 50.4      | 51.0      | 50.4      | 50.4      |
| <b>DC OUTPUT</b>             | 1.8V 11.7A | 2.5V 11.7A | 3.3V 11.7A | 5V 10A    | 12V 4.2A  | 15V 3.4A  | 24V 2.1A  | 28V 1.8A  |

## SPECIFICATIONS

|  | MODEL   | CBS50481R8                                | CBS50482R5  | CBS504803   | CBS504805   | CBS504812     | CBS504815     | CBS504824     | CBS504828     |        |
|--|---|---|-------------|-------------|-------------|---------------|---------------|---------------|---------------|--------|
| INPUT  | <b>VOLTAGE[V]</b>                                     | DC36 - 76                                 |             |             |             |               |               |               |               |        |
|  | <b>CURRENT[A]</b> *1                                  | 0.62typ                                   | 0.79typ     | 1.01typ     | 1.23typ     | 1.18typ       | 1.21typ       | 1.19typ       | 1.19typ       |        |
|  | <b>EFFICIENCY[%]</b> *1                               | 71typ                                     | 77typ       | 80typ       | 85typ       | 89typ         | 88typ         | 88typ         | 88typ         |        |
| OUTPUT                                       | <b>VOLTAGE[V]</b>                                     | 1.8                                       | 2.5         | 3.3         | 5           | 12            | 15            | 24            | 28            |        |
|  | <b>CURRENT[A]</b>                                     | 11.7                                      | 11.7        | 11.7        | 10          | 4.2           | 3.4           | 2.1           | 1.8           |        |
|  | <b>LINE REGULATION[mV]</b>                            | 10max                                     | 10max       | 10max       | 10max       | 24max         | 30max         | 48max         | 56max         |        |
|  | <b>LOAD REGULATION[mV]</b>                            | 10max                                     | 10max       | 10max       | 10max       | 24max         | 30max         | 48max         | 56max         |        |
|  | <b>RIPPLE[mVp-p]</b>                                  | -20 to +100°C *2                          | 80max       | 80max       | 80max       | 80max         | 120max        | 120max        | 120max        | 120max |
|  |   | -40 to -20°C *2                           | 120max      | 120max      | 120max      | 120max        | 150max        | 150max        | 150max        | 150max |
|  | <b>RIPPLE NOISE[mVp-p]</b>                            | -20 to +100°C *2                          | 120max      | 120max      | 120max      | 120max        | 150max        | 150max        | 150max        | 150max |
|  |   | -40 to -20°C *2                           | 200max      | 200max      | 200max      | 200max        | 200max        | 200max        | 250max        | 250max |
|  | <b>TEMPERATURE REGULATION[mV]</b>                     | 0 to +65°C                                | 35max       | 35max       | 35max       | 50max         | 120max        | 150max        | 240max        | 280max |
|  |   | -40 to +100°C                             | 66max       | 66max       | 66max       | 100max        | 240max        | 300max        | 480max        | 560max |
| <b>DRIFT[mV]</b> *3                          | 16max   | 16max                                     | 16max       | 20max       | 40max       | 60max         | 90max         | 90max         |               |        |
| <b>START-UP TIME[ms]</b>                     | 200max (DCIN 48V, Io=100%)                            |   |             |             |             |               |               |               |               |        |
| <b>OUTPUT VOLTAGE ADJUSTMENT RANGE[V]</b> *4 | Fixed (TRM pin open), adjustable by external resistor |   |             |             |             |               |               |               |               |        |
| <b>OUTPUT VOLTAGE SETTING[V]</b>             | 1.70 - 1.98   | 1.98 - 2.75                               | 1.98 - 3.63 | 3.0 - 5.5   | 7.2 - 13.2  | 9.0 - 16.5    | 14.4 - 26.4   | 16.8 - 30.8   |               |        |
| <b>OVERCURRENT PROTECTION</b>                | Works over 105% of rating and recovers automatically  |   |             |             |             |               |               |               |               |        |
| PROTECTION CIRCUIT AND OTHERS                | <b>OVERVOLTAGE PROTECTION[V]</b>                      | 2.16 - 2.88                               | 3.00 - 4.00 | 4.00 - 5.50 | 5.75 - 7.00 | 13.80 - 16.80 | 17.25 - 21.00 | 27.60 - 33.60 | 32.20 - 39.20 |        |
|  | <b>REMOTE SENSING</b>                                 | Provided                                  |             |             |             |               |               |               |               |        |
|  | <b>REMOTE ON/OFF</b>                                  | Provided (Negative logic L : ON, H : OFF) |             |             |             |               |               |               |               |        |

GENERAL SPECIFICATIONS

|             |                                    |   |
|-------------|------------------------------------|---|
| ISOLATION   | INPUT-OUTPUT                       | DC1,500V or AC1,000V 1minute, Cutoff current = 10mA, DC500V 50MΩ min(20±15℃)  |
|             | INPUT-CASE PIN, BASE PLATE         | DC1,500V or AC1,000V 1minute, Cutoff current = 10mA, DC500V 50MΩ min(20±15℃)  |
|             | OUTPUT-CASE PIN, BASE PLATE        | AC500V 1minute, Cutoff current = 100mA, DC500V 50MΩ min (20±15℃)  |
| ENVIRONMENT | OPERATING TEMP.,HUMID.AND ALTITUDE | -40 to +100℃ (On aluminum base plate), 20 - 95%RH (Non condensing) (Refer to DERATING CURVE), 3,000m (10,000feet) max |
|             | STORAGE TEMP.,HUMID.AND ALTITUDE   | -40 to +100℃, 20 - 95%RH (Non condensing), 9,000m (30,000feet) max  |
|             | VIBRATION                          | 10 - 55Hz, 49.0m/s <sup>2</sup> (5G), 3minutes period, 60minutes each along X, Y and Z axis                           |
| SAFETY      | IMPACT                             | 196.1m/s <sup>2</sup> (20G), 11ms, once each along X, Y and Z axis  |
|             | AGENCY APPROVALS                   | UL60950-1, C-UL, EN60950-1  |
| OTHERS      | CASE SIZE/WEIGHT                   | 57.9×12.7×61.0mm [2.28×0.5×2.4 inches](W×H×D) / 83g max   |
|             | COOLING METHOD                     | Conduction cooling (e.g. heat radiation from the aluminum base plate to the attached heat sink)                       |

- \*1 At rated input(DC24V,DC48V) and rated load.
- \*2 Ripple and ripple noise is measured by using measuring board with recommended capacitor Co & the film capacitor 0.1 μF. Measured by 20MHz oscilloscope or Ripple-Noise meter (Equivalent to KEISOKU-GIKEN:RM101).
- \*3 Drift is the change in DC output for an eight hour period after a half-hour warm-up at 25℃, with the input voltage held constant at the rated input/output.
- \*4 When the input voltage is in the range of DC18 - 20V, DC36 - 40V, output voltage adjustment range is 60 - 105% (except for 1R8/2R5).

External view



Performance data

INPUT CURRENT CHARACTERISTICS (CBS502428)



INPUT CURRENT CHARACTERISTICS (CBS504828)



# CBS100

CB S 100 48 12 -

① ② ③ ④ ⑤ ⑥



- ① Series name
- ② Single output
- ③ Output wattage
- ④ Input voltage  
24:DC18 - 36V  
48:DC36 - 76V
- ⑤ Output voltage
- ⑥ Optional  
R :with Remote ON/OFF  
Positive logic control  
T :with Mounting hole  
φ 3.4 thru  
 :with Addition of a  
Heat sink

| MODEL                 | CBS100241R8 | CBS100242R5 | CBS1002403 | CBS1002405 | CBS1002412 | CBS1002415 | CBS1002424 | CBS1002428 |
|-----------------------|-------------|-------------|------------|------------|------------|------------|------------|------------|
| MAX OUTPUT WATTAGE[W] | 42.12       | 58.50       | 77.2       | 100.0      | 100.8      | 100.5      | 100.8      | 100.8      |
| DC OUTPUT             | 1.8V 23.4A  | 2.5V 23.4A  | 3.3V 23.4A | 5V 20A     | 12V 8.4A   | 15V 6.7A   | 24V 4.2A   | 28V 3.6A   |

## SPECIFICATIONS

|                                    | MODEL   | CBS100241R8   | CBS100242R5 | CBS1002403  | CBS1002405    | CBS1002412    | CBS1002415    | CBS1002424    | CBS1002428 |        |
|------------------------------------|---|---------------|-------------|-------------|---------------|---------------|---------------|---------------|------------|--------|
| INPUT                              | VOLTAGE[V]  | DC18 - 36     |             |             |               |               |               |               |            |        |
|                                    | CURRENT[A]  | 2.47typ       | 3.17typ     | 4.07typ     | 5.02typ       | 4.77typ       | 4.81typ       | 4.83typ       | 4.83typ    |        |
|                                    | EFFICIENCY[%]   | 71typ         | 77typ       | 79typ       | 83typ         | 88typ         | 87typ         | 87typ         | 87typ      |        |
| OUTPUT                             | VOLTAGE[V]  | 1.8           | 2.5         | 3.3         | 5             | 12            | 15            | 24            | 28         |        |
|                                    | CURRENT[A]  | 23.4          | 23.4        | 23.4        | 20            | 8.4           | 6.7           | 4.2           | 3.6        |        |
|                                    | LINE REGULATION[mV]                                   | 10max         | 10max       | 10max       | 10max         | 24max         | 30max         | 48max         | 56max      |        |
|                                    | LOAD REGULATION[mV]                                   | 10max         | 10max       | 10max       | 10max         | 24max         | 30max         | 48max         | 56max      |        |
|                                    | RIPPLE[mVp-p]   | -20 to +100°C | 80max       | 80max       | 80max         | 80max         | 120max        | 120max        | 120max     | 120max |
|                                    |   | -40 to -20°C  | 120max      | 120max      | 120max        | 120max        | 150max        | 150max        | 150max     | 150max |
|                                    | RIPPLE NOISE[mVp-p]                                   | -20 to +100°C | 120max      | 120max      | 120max        | 120max        | 150max        | 150max        | 150max     | 150max |
|                                    |   | -40 to -20°C  | 200max      | 200max      | 200max        | 200max        | 200max        | 200max        | 250max     | 250max |
|                                    | TEMPERATURE REGULATION[mV]                            | 0 to +65°C    | 35max       | 35max       | 35max         | 50max         | 120max        | 150max        | 240max     | 280max |
|                                    |   | -40 to +100°C | 66max       | 66max       | 66max         | 100max        | 240max        | 300max        | 480max     | 560max |
| DRIFT[mV]                          | 16max   | 16max         | 16max       | 20max       | 40max         | 60max         | 90max         | 90max         |            |        |
| START-UP TIME[ms]                  | 200max (DCIN 24V, I <sub>o</sub> =100%)               |               |             |             |               |               |               |               |            |        |
| OUTPUT VOLTAGE ADJUSTMENT RANGE[V] | Fixed (TRM pin open), adjustable by external resistor |               |             |             |               |               |               |               |            |        |
| OUTPUT VOLTAGE SETTING[V]          | 1.70 - 1.98   | 1.98 - 2.75   | 1.98 - 3.63 | 3.0 - 5.5   | 7.2 - 13.2    | 9.0 - 16.5    | 14.4 - 26.4   | 16.8 - 30.8   |            |        |
| OVERCURRENT PROTECTION             | Works over 105% of rating and recovers automatically  |               |             |             |               |               |               |               |            |        |
| OVERVOLTAGE PROTECTION[V]          | 2.16 - 2.88   | 3.00 - 4.00   | 4.00 - 5.50 | 5.75 - 7.00 | 13.80 - 16.80 | 17.25 - 21.00 | 27.60 - 33.60 | 32.20 - 39.20 |            |        |
| REMOTE SENSING                     | Provided  |               |             |             |               |               |               |               |            |        |
| REMOTE ON/OFF                      | Provided (Negative logic L : ON, H : OFF)             |               |             |             |               |               |               |               |            |        |

| MODEL                 | CBS100481R8 | CBS100482R5 | CBS1004803 | CBS1004805 | CBS1004812 | CBS1004815 | CBS1004824 | CBS1004828 |
|-----------------------|-------------|-------------|------------|------------|------------|------------|------------|------------|
| MAX OUTPUT WATTAGE[W] | 42.12       | 58.50       | 77.2       | 100.0      | 100.8      | 100.5      | 100.8      | 100.8      |
| DC OUTPUT             | 1.8V 23.4A  | 2.5V 23.4A  | 3.3V 23.4A | 5V 20A     | 12V 8.4A   | 15V 6.7A   | 24V 4.2A   | 28V 3.6A   |

## SPECIFICATIONS

|                                    | MODEL   | CBS100481R8   | CBS100482R5 | CBS1004803  | CBS1004805    | CBS1004812    | CBS1004815    | CBS1004824    | CBS1004828 |        |
|------------------------------------|---|---------------|-------------|-------------|---------------|---------------|---------------|---------------|------------|--------|
| INPUT                              | VOLTAGE[V]  | DC36 - 76     |             |             |               |               |               |               |            |        |
|                                    | CURRENT[A]  | 1.24typ       | 1.58typ     | 2.01typ     | 2.48typ       | 2.36typ       | 2.38typ       | 2.39typ       | 2.39typ    |        |
|                                    | EFFICIENCY[%]   | 71typ         | 77typ       | 80typ       | 84typ         | 89typ         | 88typ         | 88typ         | 88typ      |        |
| OUTPUT                             | VOLTAGE[V]  | 1.8           | 2.5         | 3.3         | 5             | 12            | 15            | 24            | 28         |        |
|                                    | CURRENT[A]  | 23.4          | 23.4        | 23.4        | 20            | 8.4           | 6.7           | 4.2           | 3.6        |        |
|                                    | LINE REGULATION[mV]                                   | 10max         | 10max       | 10max       | 10max         | 24max         | 30max         | 48max         | 56max      |        |
|                                    | LOAD REGULATION[mV]                                   | 10max         | 10max       | 10max       | 10max         | 24max         | 30max         | 48max         | 56max      |        |
|                                    | RIPPLE[mVp-p]   | -20 to +100°C | 80max       | 80max       | 80max         | 80max         | 120max        | 120max        | 120max     | 120max |
|                                    |   | -40 to -20°C  | 120max      | 120max      | 120max        | 120max        | 150max        | 150max        | 150max     | 150max |
|                                    | RIPPLE NOISE[mVp-p]                                   | -20 to +100°C | 120max      | 120max      | 120max        | 120max        | 150max        | 150max        | 150max     | 150max |
|                                    |   | -40 to -20°C  | 200max      | 200max      | 200max        | 200max        | 200max        | 200max        | 250max     | 250max |
|                                    | TEMPERATURE REGULATION[mV]                            | 0 to +65°C    | 35max       | 35max       | 35max         | 50max         | 120max        | 150max        | 240max     | 280max |
|                                    |   | -40 to +100°C | 66max       | 66max       | 66max         | 100max        | 240max        | 300max        | 480max     | 560max |
| DRIFT[mV]                          | 16max   | 16max         | 16max       | 20max       | 40max         | 60max         | 90max         | 90max         |            |        |
| START-UP TIME[ms]                  | 200max (DCIN 48V, I <sub>o</sub> =100%)               |               |             |             |               |               |               |               |            |        |
| OUTPUT VOLTAGE ADJUSTMENT RANGE[V] | Fixed (TRM pin open), adjustable by external resistor |               |             |             |               |               |               |               |            |        |
| OUTPUT VOLTAGE SETTING[V]          | 1.70 - 1.98   | 1.98 - 2.75   | 1.98 - 3.63 | 3.0 - 5.5   | 7.2 - 13.2    | 9.0 - 16.5    | 14.4 - 26.4   | 16.8 - 30.8   |            |        |
| OVERCURRENT PROTECTION             | Works over 105% of rating and recovers automatically  |               |             |             |               |               |               |               |            |        |
| OVERVOLTAGE PROTECTION[V]          | 2.16 - 2.88   | 3.00 - 4.00   | 4.00 - 5.50 | 5.75 - 7.00 | 13.80 - 16.80 | 17.25 - 21.00 | 27.60 - 33.60 | 32.20 - 39.20 |            |        |
| REMOTE SENSING                     | Provided  |               |             |             |               |               |               |               |            |        |
| REMOTE ON/OFF                      | Provided (Negative logic L : ON, H : OFF)             |               |             |             |               |               |               |               |            |        |

### GENERAL SPECIFICATIONS

|             |                                      |  |
|-------------|--------------------------------------|--|
| ISOLATION   | INPUT-OUTPUT                         | DC1,500V or AC1,000V 1minute, Cutoff current = 10mA, DC500V 50MΩ min(20±15°C)  |
|             | INPUT-CASE PIN, BASE PLATE           | DC1,500V or AC1,000V 1minute, Cutoff current = 10mA, DC500V 50MΩ min(20±15°C)  |
|             | OUTPUT-CASE PIN, BASE PLATE          | AC500V 1minute, Cutoff current = 100mA, DC500V 50MΩ min (20±15°C)  |
| ENVIRONMENT | OPERATING TEMP., HUMID. AND ALTITUDE | -40 to +100°C (On aluminum base plate), 20 - 95%RH (Non condensing) (Refer to DERATING CURVE), 3,000m (10,000feet) max |
|             | STORAGE TEMP., HUMID. AND ALTITUDE   | -40 to +100°C, 20 - 95%RH (Non condensing), 9,000m (30,000feet) max  |
|             | VIBRATION                            | 10 - 55Hz, 49.0m/s <sup>2</sup> (5G), 3minutes period, 60minutes each along X, Y and Z axis                            |
| SAFETY      | IMPACT                               | 196.1m/s <sup>2</sup> (20G), 11ms, once each along X, Y and Z axis   |
|             | AGENCY APPROVALS                     | UL60950-1, C-UL, EN60950-1   |
| OTHERS      | CASE SIZE/WEIGHT                     | 57.9×12.7×61.0mm [2.28×0.5×2.4 inches] (W×H×D) / 83g max   |
|             | COOLING METHOD                       | Conduction cooling (e.g. heat radiation from the aluminum base plate to the attached heat sink)                        |

- \*1 At rated input(DC24V,DC48V) and rated load.
- \*2 Ripple and ripple noise is measured by using measuring board with recommended capacitor Co & the film capacitor 0.1 μF. Measured by 20MHz oscilloscope or Ripple-Noise meter (Equivalent to KEISOKU-GIKEN:RM101).
- \*3 Drift is the change in DC output for an eight hour period after a half-hour warm-up at 25°C, with the input voltage held constant at the rated input/output.
- \*4 When the input voltage is in the range of DC18 - 20V, DC36 - 40V output voltage adjustment range is 60 - 105% (except for 1R8/2R5).

### External view



### Performance data

■ INPUT CURRENT CHARACTERISTICS (CBS1002428)



■ INPUT CURRENT CHARACTERISTICS (CBS1004828)



# CBS200

CB S 200 48 12 - □

① ② ③ ④ ⑤ ⑥



- ① Series name
- ② Single output
- ③ Output wattage
- ④ Input voltage  
24:DC18 - 36V  
48:DC36 - 76V
- ⑤ Output voltage
- ⑥ Optional  
R :with Remote ON/OFF  
Positive logic control  
T :with Mounting hole  
φ3.4 thru  
□:with Addition of a  
Heat sink

| MODEL                 | CBS200241R8 | CBS200242R5 | CBS2002403 | CBS2002405 | CBS2002412 | CBS2002415 | CBS2002424 | CBS2002428 |
|-----------------------|-------------|-------------|------------|------------|------------|------------|------------|------------|
| MAX OUTPUT WATTAGE[W] | 63.00       | 87.50       | 115.5      | 150.0      | 200.4      | 201.0      | 201.6      | 201.6      |
| DC OUTPUT             | 1.8V 35A    | 2.5V 35A    | 3.3V 35A   | 5V 30A     | 12V 16.7A  | 15V 13.4A  | 24V 8.4A   | 28V 7.2A   |

## SPECIFICATIONS

|                                    | MODEL   | CBS200241R8   | CBS200242R5 | CBS2002403  | CBS2002405    | CBS2002412    | CBS2002415    | CBS2002424    | CBS2002428 |        |
|------------------------------------|---|---------------|-------------|-------------|---------------|---------------|---------------|---------------|------------|--------|
| INPUT                              | VOLTAGE[V]  | DC18 - 36     |             |             |               |               |               |               |            |        |
|                                    | CURRENT[A]  | *1 3.75typ    | 4.80typ     | 6.09typ     | 7.62typ       | 9.60typ       | 9.63typ       | 9.66typ       | 9.66typ    |        |
|                                    | EFFICIENCY[%]   | *1 70typ      | 76typ       | 79typ       | 82typ         | 87typ         | 87typ         | 87typ         | 87typ      |        |
| OUTPUT                             | VOLTAGE[V]  | 1.8           | 2.5         | 3.3         | 5             | 12            | 15            | 24            | 28         |        |
|                                    | CURRENT[A]  | 35            | 35          | 35          | 30            | 16.7          | 13.4          | 8.4           | 7.2        |        |
|                                    | LINE REGULATION[mV]                                   | 10max         | 10max       | 10max       | 10max         | 24max         | 30max         | 48max         | 56max      |        |
|                                    | LOAD REGULATION[mV]                                   | 10max         | 10max       | 10max       | 10max         | 24max         | 30max         | 48max         | 56max      |        |
|                                    | RIPPLE[mVp-p]   | -20 to +100°C | 80max       | 80max       | 80max         | 80max         | 120max        | 120max        | 120max     | 120max |
|                                    |   | -40 to -20°C  | 120max      | 120max      | 120max        | 120max        | 150max        | 150max        | 150max     | 150max |
|                                    | RIPPLE NOISE[mVp-p]                                   | -20 to +100°C | 120max      | 120max      | 120max        | 120max        | 150max        | 150max        | 150max     | 150max |
|                                    |   | -40 to -20°C  | 200max      | 200max      | 200max        | 200max        | 200max        | 200max        | 250max     | 250max |
|                                    | TEMPERATURE REGULATION[mV]                            | 0 to +65°C    | 35max       | 35max       | 35max         | 50max         | 120max        | 150max        | 240max     | 280max |
|                                    |   | -40 to +100°C | 66max       | 66max       | 66max         | 100max        | 240max        | 300max        | 480max     | 560max |
| DRIFT[mV]                          | *3 16max  | 16max         | 16max       | 20max       | 40max         | 60max         | 90max         | 90max         |            |        |
| START-UP TIME[ms]                  | 200max (DCIN 24V, I <sub>o</sub> =100%)               |               |             |             |               |               |               |               |            |        |
| OUTPUT VOLTAGE ADJUSTMENT RANGE[V] | Fixed (TRM pin open), adjustable by external resistor |               |             |             |               |               |               |               |            |        |
| OUTPUT VOLTAGE SETTING[V]          | 1.70 - 1.98   | 1.98 - 2.75   | 1.98 - 3.63 | 3.0 - 5.5   | 7.2 - 13.2    | 9.0 - 16.5    | 14.4 - 26.4   | 16.8 - 30.8   |            |        |
| OVERCURRENT PROTECTION             | Works over 105% of rating and recovers automatically  |               |             |             |               |               |               |               |            |        |
| OVERVOLTAGE PROTECTION[V]          | 2.16 - 2.88   | 3.00 - 4.00   | 4.00 - 5.50 | 5.75 - 7.00 | 13.80 - 16.80 | 17.25 - 21.00 | 27.60 - 33.60 | 32.20 - 39.20 |            |        |
| REMOTE SENSING                     | Provided  |               |             |             |               |               |               |               |            |        |
| REMOTE ON/OFF                      | Provided (Negative logic L : ON, H : OFF)             |               |             |             |               |               |               |               |            |        |

| MODEL                 | CBS200481R8 | CBS200482R5 | CBS2004803 | CBS2004805 | CBS2004812 | CBS2004815 | CBS2004824 | CBS2004828 | CBS2004848 |
|-----------------------|-------------|-------------|------------|------------|------------|------------|------------|------------|------------|
| MAX OUTPUT WATTAGE[W] | 63.00       | 87.50       | 115.5      | 150.0      | 200.4      | 201.0      | 201.6      | 201.6      | 201.6      |
| DC OUTPUT             | 1.8V 35A    | 2.5V 35A    | 3.3V 35A   | 5V 30A     | 12V 16.7A  | 15V 13.4A  | 24V 8.4A   | 28V 7.2A   | 48V 4.2A   |

## SPECIFICATIONS

|                                    | MODEL   | CBS200481R8   | CBS200482R5 | CBS2004803  | CBS2004805    | CBS2004812    | CBS2004815    | CBS2004824    | CBS2004828    | CBS2004848 |        |
|------------------------------------|---|---------------|-------------|-------------|---------------|---------------|---------------|---------------|---------------|------------|--------|
| INPUT                              | VOLTAGE[V]  | DC36 - 76     |             |             |               |               |               |               |               |            |        |
|                                    | CURRENT[A]  | *1 1.88typ    | 2.40typ     | 3.01typ     | 3.77typ       | 4.74typ       | 4.76typ       | 4.77typ       | 4.77typ       | 4.77typ    |        |
|                                    | EFFICIENCY[%]   | *1 70typ      | 76typ       | 80typ       | 83typ         | 88typ         | 88typ         | 88typ         | 88typ         | 88typ      |        |
| OUTPUT                             | VOLTAGE[V]  | 1.8           | 2.5         | 3.3         | 5             | 12            | 15            | 24            | 28            | 48         |        |
|                                    | CURRENT[A]  | 35            | 35          | 35          | 30            | 16.7          | 13.4          | 8.4           | 7.2           | 4.2        |        |
|                                    | LINE REGULATION[mV]                                   | 10max         | 10max       | 10max       | 10max         | 24max         | 30max         | 48max         | 56max         | 96max      |        |
|                                    | LOAD REGULATION[mV]                                   | 10max         | 10max       | 10max       | 10max         | 24max         | 30max         | 48max         | 56max         | 96max      |        |
|                                    | RIPPLE[mVp-p]   | -20 to +100°C | 80max       | 80max       | 80max         | 80max         | 120max        | 120max        | 120max        | 120max     | 200max |
|                                    |   | -40 to -20°C  | 120max      | 120max      | 120max        | 120max        | 150max        | 150max        | 150max        | 150max     | 250max |
|                                    | RIPPLE NOISE[mVp-p]                                   | -20 to +100°C | 120max      | 120max      | 120max        | 120max        | 150max        | 150max        | 150max        | 150max     | 250max |
|                                    |   | -40 to -20°C  | 200max      | 200max      | 200max        | 200max        | 200max        | 200max        | 250max        | 250max     | 400max |
|                                    | TEMPERATURE REGULATION[mV]                            | 0 to +65°C    | 35max       | 35max       | 35max         | 50max         | 120max        | 150max        | 240max        | 280max     | 480max |
|                                    |   | -40 to +100°C | 66max       | 66max       | 66max         | 100max        | 240max        | 300max        | 480max        | 560max     | 960max |
| DRIFT[mV]                          | *3 16max  | 16max         | 16max       | 20max       | 40max         | 60max         | 90max         | 90max         | 180max        |            |        |
| START-UP TIME[ms]                  | 200max (DCIN 48V, I <sub>o</sub> =100%)               |               |             |             |               |               |               |               |               |            |        |
| OUTPUT VOLTAGE ADJUSTMENT RANGE[V] | Fixed (TRM pin open), adjustable by external resistor |               |             |             |               |               |               |               |               |            |        |
| OUTPUT VOLTAGE SETTING[V]          | 1.70 - 1.98   | 1.98 - 2.75   | 1.98 - 3.63 | 3.0 - 5.5   | 7.2 - 13.2    | 9.0 - 16.5    | 14.4 - 26.4   | 16.8 - 30.8   | 43.2 - 52.8   |            |        |
| OVERCURRENT PROTECTION             | Works over 105% of rating and recovers automatically  |               |             |             |               |               |               |               |               |            |        |
| OVERVOLTAGE PROTECTION[V]          | 2.16 - 2.88   | 3.00 - 4.00   | 4.00 - 5.50 | 5.75 - 7.00 | 13.80 - 16.80 | 17.25 - 21.00 | 27.60 - 33.60 | 32.20 - 39.20 | 55.20 - 67.20 |            |        |
| REMOTE SENSING                     | Provided  |               |             |             |               |               |               |               |               |            |        |
| REMOTE ON/OFF                      | Provided (Negative logic L : ON, H : OFF)             |               |             |             |               |               |               |               |               |            |        |

### GENERAL SPECIFICATIONS

|             |                                    |  |
|-------------|------------------------------------|--|
| ISOLATION   | INPUT-OUTPUT                       | DC1,500V or AC1,000V 1minute, Cutoff current = 10mA, DC500V 50MΩ min(20±15°C)  |
|             | INPUT-CASE PIN, BASE PLATE         | DC1,500V or AC1,000V 1minute, Cutoff current = 10mA, DC500V 50MΩ min(20±15°C)  |
|             | OUTPUT-CASE PIN, BASE PLATE        | AC500V 1minute, Cutoff current = 100mA, DC500V 50MΩ min (20±15°C)  |
| ENVIRONMENT | OPERATING TEMP.,HUMID.AND ALTITUDE | -40 to +100°C (On aluminum base plate), 20 - 95%RH (Non condensing) (Refer to DERATING CURVE), 3,000m (10,000feet) max |
|             | STORAGE TEMP.,HUMID.AND ALTITUDE   | -40 to +100°C, 20 - 95%RH (Non condensing), 9,000m (30,000feet) max  |
|             | VIBRATION                          | 10 - 55Hz, 49.0m/s <sup>2</sup> (5G), 3minutes period, 60minutes each along X, Y and Z axis                            |
|             | IMPACT                             | 196.1m/s <sup>2</sup> (20G), 11ms, once each along X, Y and Z axis   |
| SAFETY      | AGENCY APPROVALS                   | UL60950-1, C-UL, EN60950-1   |
| OTHERS      | CASE SIZE/WEIGHT                   | 57.9×12.7×61.0mm [2.28×0.5×2.4 inches] (W×H×D) / 83g max   |
|             | COOLING METHOD                     | Conduction cooling (e.g. heat radiation from the aluminum base plate to the attached heat sink)                        |

- \*1 At rated input(DC24V,DC48V) and rated load.
- \*2 Ripple and ripple noise is measured by using measuring board with recommended capacitor Co & the film capacitor 0.1 μF. Measured by 20MHz oscilloscope or Ripple-Noise meter (Equivalent to KEISOKU-GIKEN:RM101).
- \*3 Drift is the change in DC output for an eight hour period after a half-hour warm-up at 25°C, with the input voltage held constant at the rated input/output.
- \*4 When the input voltage is in the range of DC18 - 20V, DC36 - 40V, output voltage adjustment range is 60 - 105% (except for 1R8/2R5/48).

### External view



### Performance data

INPUT CURRENT CHARACTERISTICS (CBS2002428)



INPUT CURRENT CHARACTERISTICS (CBS2004828)





# CBS350

CB S 350 48 12 - □

① ② ③ ④ ⑤ ⑥



- ① Series name
- ② Single output
- ③ Output wattage
- ④ Input voltage
- ⑤ Output voltage
- ⑥ Optional
- R :with Remote ON/OFF  
Positive logic control
- T :with Mounting hole  
φ 3.4 thru

|                       |            |            |            |            |            |            |            |            |            |            |
|-----------------------|------------|------------|------------|------------|------------|------------|------------|------------|------------|------------|
| MODEL                 | CBS3502412 | CBS3502424 | CBS3502428 | CBS3502432 | CBS3502448 | CBS3504812 | CBS3504824 | CBS3504828 | CBS3504832 | CBS3504848 |
| MAX OUTPUT WATTAGE[W] | 300        | 348        | 350        | 352        | 302        | 348        | 348        | 350        | 352        | 350        |
| DC OUTPUT             | 12V 25A    | 24V 14.5A  | 28V 12.5A  | 32V 11A    | 48V 6.3A   | 12V 29A    | 24V 14.5A  | 28V 12.5A  | 32V 11A    | 48V 7.3A   |

## SPECIFICATIONS

|                                    | MODEL                                | CBS3502412   | CBS3502424    | CBS3502428    | CBS3502432    | CBS3502448    | CBS3504812                 | CBS3504824    | CBS3504828    | CBS3504832    | CBS3504848    |        |
|------------------------------------|--------------------------------------|--|---------------|---------------|---------------|---------------|----------------------------|---------------|---------------|---------------|---------------|--------|
| INPUT                              | VOLTAGE[V]                           | DC20 - 36  |               |               |               |               | DC36 - 76                  |               |               |               |               |        |
|                                    | CURRENT[A]                           | *1 14.5typ   | 16.7typ       | 16.4typ       | 16.5typ       | 14.0typ       | 8.33typ                    | 8.15typ       | 8.10typ       | 8.15typ       | 8.15typ       |        |
|                                    | EFFICIENCY[%]                        | *1 86typ   | 87typ         | 89typ         | 89typ         | 90typ         | 87typ                      | 89typ         | 90typ         | 90typ         | 91typ         |        |
| OUTPUT                             | VOLTAGE[V]                           | 12   | 24            | 28            | 32            | 48            | 12                         | 24            | 28            | 32            | 48            |        |
|                                    | CURRENT[A]                           | 25   | 14.5          | 12.5          | 11            | 6.3           | 29                         | 14.5          | 12.5          | 11            | 7.3           |        |
|                                    | LINE REGULATION[mV]                  | 24max  | 48max         | 56max         | 64max         | 96max         | 24max                      | 48max         | 56max         | 64max         | 96max         |        |
|                                    | LOAD REGULATION[mV]                  | 24max  | 48max         | 56max         | 64max         | 96max         | 24max                      | 48max         | 56max         | 64max         | 96max         |        |
|                                    | RIPPLE[mVp-p]                        | -20 to +100°C *2   | 120max        | 150max        | 180max        | 180max        | 300max                     | 120max        | 150max        | 180max        | 180max        | 300max |
|                                    |                                      | -40 to -20°C *2  | 150max        | 180max        | 220max        | 220max        | 360max                     | 150max        | 180max        | 220max        | 220max        | 360max |
|                                    |                                      | 0 to 15%Load *2  | 240max        | 300max        | 360max        | 360max        | 600max                     | 240max        | 300max        | 360max        | 360max        | 600max |
|                                    | RIPPLE NOISE[mVp-p]                  | -20 to +100°C *2   | 150max        | 180max        | 220max        | 220max        | 360max                     | 150max        | 180max        | 220max        | 220max        | 360max |
|                                    |                                      | -40 to -20°C *2  | 200max        | 250max        | 280max        | 280max        | 500max                     | 200max        | 250max        | 280max        | 280max        | 500max |
|                                    |                                      | 0 to 15%Load *2  | 300max        | 360max        | 440max        | 440max        | 720max                     | 300max        | 360max        | 440max        | 440max        | 720max |
| TEMPERATURE REGULATION[mV]         | 0 to +65°C                           | 120max   | 240max        | 280max        | 320max        | 480max        | 120max                     | 240max        | 280max        | 320max        | 480max        |        |
|                                    | -40 to +100°C                        | 240max   | 480max        | 560max        | 640max        | 960max        | 240max                     | 480max        | 560max        | 640max        | 960max        |        |
| DRIFT[mV]                          | *3                                   | 40max  | 90max         | 90max         | 120max        | 180max        | 40max                      | 90max         | 90max         | 120max        | 180max        |        |
| START-UP TIME[ms]                  |                                      | 200max (DCIN 24V, Io=100%)   |               |               |               |               | 200max (DCIN 48V, Io=100%) |               |               |               |               |        |
| OUTPUT VOLTAGE ADJUSTMENT RANGE[V] | *4                                   | Fixed (TRM pin open), adjustable by external resistor  |               |               |               |               |                            |               |               |               |               |        |
| OUTPUT VOLTAGE SETTING[V]          | *1                                   | 11.88 - 12.12  | 23.76 - 24.24 | 27.72 - 28.28 | 31.68 - 32.32 | 47.52 - 48.48 | 11.88 - 12.12              | 23.76 - 24.24 | 27.72 - 28.28 | 31.68 - 32.32 | 47.52 - 48.48 |        |
| PROTECTION CIRCUIT AND OTHERS      | OVERCURRENT PROTECTION               | Works over 105% of rating and recovers automatically   |               |               |               |               |                            |               |               |               |               |        |
|                                    | OVERVOLTAGE PROTECTION[V]            | 13.80 - 16.80  | 27.60 - 33.60 | 32.20 - 39.20 | 36.80 - 44.80 | 57.50 - 63.00 | 13.80 - 16.80              | 27.60 - 33.60 | 32.20 - 39.20 | 36.80 - 44.80 | 57.50 - 63.00 |        |
|                                    | REMOTE SENSING                       | Provided   |               |               |               |               |                            |               |               |               |               |        |
|                                    | REMOTE ON/OFF                        | Provided (Negative logic L : ON, H : OFF)  |               |               |               |               |                            |               |               |               |               |        |
| ISOLATION                          | INPUT-OUTPUT                         | DC1,500V or AC1,000V 1minute, Cutoff current = 10mA, DC500V 50MΩ min(20±15°C)  |               |               |               |               |                            |               |               |               |               |        |
|                                    | INPUT-BASE PLATE                     | DC1,500V or AC1,000V 1minute, Cutoff current = 10mA, DC500V 50MΩ min(20±15°C)  |               |               |               |               |                            |               |               |               |               |        |
|                                    | OUTPUT-BASE PLATE                    | AC500V 1minute, Cutoff current = 100mA, DC500V 50MΩ min (20±15°C)  |               |               |               |               |                            |               |               |               |               |        |
| ENVIRONMENT                        | OPERATING TEMP., HUMID. AND ALTITUDE | -40 to +100°C (On aluminum base plate), 20 - 95%RH (Non condensing) (Refer to DERATING CURVE), 3,000m (10,000feet) max |               |               |               |               |                            |               |               |               |               |        |
|                                    | STORAGE TEMP., HUMID. AND ALTITUDE   | -40 to +100°C, 20 - 95%RH (Non condensing), 9,000m (30,000feet) max  |               |               |               |               |                            |               |               |               |               |        |
|                                    | VIBRATION                            | 10 - 55Hz, 49.0m/s <sup>2</sup> (5G), 3minutes period, 60minutes each along X, Y and Z axis                            |               |               |               |               |                            |               |               |               |               |        |
| SAFETY                             | IMPACT                               | 196.1m/s <sup>2</sup> (20G), 11ms, once each along X, Y and Z axis   |               |               |               |               |                            |               |               |               |               |        |
|                                    | AGENCY APPROVALS                     | UL60950-1, C-UL, EN60950-1   |               |               |               |               |                            |               |               |               |               |        |
| OTHERS                             | CASE SIZE/WEIGHT                     | 57.9 × 12.7 × 61.0mm [2.28 × 0.5 × 2.4 inches] (W × H × D) / 83g max   |               |               |               |               |                            |               |               |               |               |        |
|                                    | COOLING METHOD                       | Conduction cooling (e.g. heat radiation from the aluminum base plate to the attached heat sink)                        |               |               |               |               |                            |               |               |               |               |        |

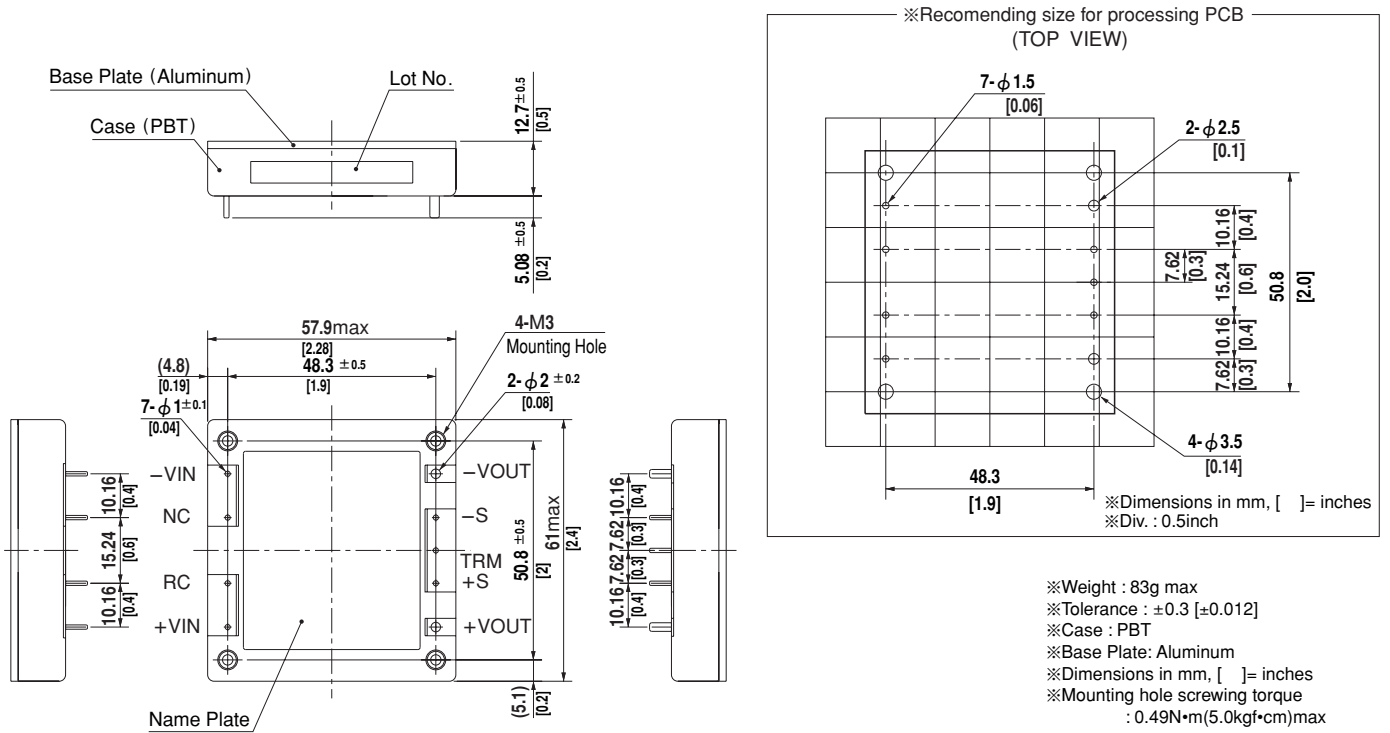
\*1 At rated input(DC24V,DC48V), rated load, and aluminum base plate temperature 25°C.

\*2 Ripple and ripple noise is measured by using measuring board with recommended capacitor Co & the film capacitor 0.1 μF. Refer to the manual.

\*3 Drift is the change in DC output for an eight hour period after a half-hour warm-up at 25°C, with the input voltage held constant at the rated input/output.

\*4 When the input voltage is in the range of DC20 - 22V, DC36 - 40V, output voltage is limited. Refer to the manual.

External view





# CBS450

CB S 450 48 28 - □

① ② ③ ④ ⑤ ⑥



- ① Series name
- ② Single output
- ③ Output wattage
- ④ Input voltage
- ⑤ Output voltage
- ⑥ Optional
- R :with Remote ON/OFF  
Positive logic control
- T :with Mounting hole  
φ 3.4 thru



| MODEL                 | CBS4504824 | CBS4504828 | CBS4504832 |
|-----------------------|------------|------------|------------|
| MAX OUTPUT WATTAGE[W] | 456        | 448        | 400        |
| DC OUTPUT             | 24V 19A    | 28V 16A    | 32V 12.5A  |

## SPECIFICATIONS

|                                       | MODEL   | CBS4504824   | CBS4504828    | CBS4504832    |        |
|---------------------------------------|---|--|---------------|---------------|--------|
| INPUT                                 | VOLTAGE[V]  | DC38 - 60  | DC36 - 76     | DC36 - 76     |        |
|                                       | CURRENT[A]  | *1 10.6typ   | 10.5typ       | 9.3typ        |        |
|                                       | EFFICIENCY[%]   | *1 90typ   | 91typ         | 91typ         |        |
| OUTPUT                                | VOLTAGE[V]  | 24   | 28            | 32            |        |
|                                       | CURRENT[A]  | 19   | 16            | 12.5          |        |
|                                       | LINE REGULATION[mV]                                   | 48max  | 56max         | 64max         |        |
|                                       | LOAD REGULATION[mV]                                   | 48max  | 56max         | 64max         |        |
|                                       | RIPPLE[mVp-p]   | -20 to +100°C *2   | 180max        | 210max        | 210max |
|                                       |   | -40 to -20°C *2  | 220max        | 260max        | 260max |
|                                       |   | 0 to 15%Load *2  | 360max        | 430max        | 430max |
|                                       | RIPPLE NOISE[mVp-p]                                   | -20 to +100°C *2   | 220max        | 260max        | 260max |
|                                       |   | -40 to -20°C *2  | 280max        | 330max        | 330max |
|                                       |   | 0 to 15%Load *2  | 440max        | 520max        | 520max |
|                                       | TEMPERATURE REGULATION[mV]                            | 0 to +65°C   | 240max        | 280max        | 280max |
|                                       |   | -40 to +100°C  | 480max        | 560max        | 560max |
|                                       | DRIFT[mV]   | *3 90max   | 90max         | 120max        |        |
| START-UP TIME[ms]                     | 200max (DCIN 48V, Io=100%)                            |  |               |               |        |
| OUTPUT VOLTAGE ADJUSTMENT RANGE[V] *4 | Fixed (TRM pin open), adjustable by external resistor |  |               |               |        |
|                                       | 19.2 - 26.0   | 16.8 - 32.2  | 25.6 - 35.2   |               |        |
| OUTPUT VOLTAGE SETTING[V] *4          | 23.52 - 24.48   | 27.44 - 28.56  | 31.36 - 32.64 |               |        |
| PROTECTION CIRCUIT AND OTHERS         | OVERCURRENT PROTECTION                                | Works over 105% of rating and recovers automatically   |               |               |        |
|                                       | OVERVOLTAGE PROTECTION[V]                             | 27.60 - 33.60  | 32.20 - 39.20 | 36.80 - 44.80 |        |
|                                       | REMOTE SENSING  | Provided   |               |               |        |
|                                       | REMOTE ON/OFF   | Provided (Negative logic L : ON, H : OFF)  |               |               |        |
| ISOLATION                             | INPUT-OUTPUT  | DC1,500V or AC1,000V 1minute, Cutoff current = 10mA, DC500V 50MΩ min(20±15°C)  |               |               |        |
|                                       | INPUT-BASE PLATE                                      | DC1,500V or AC1,000V 1minute, Cutoff current = 10mA, DC500V 50MΩ min(20±15°C)  |               |               |        |
|                                       | OUTPUT-BASE PLATE                                     | AC500V 1minute, Cutoff current = 100mA, DC500V 50MΩ min (20±15°C)  |               |               |        |
| ENVIRONMENT                           | OPERATING TEMP., HUMID. AND ALTITUDE                  | -40 to +100°C (On aluminum base plate), 20 - 95%RH (Non condensing) (Refer to DERATING CURVE), 3,000m (10,000feet) max |               |               |        |
|                                       | STORAGE TEMP., HUMID. AND ALTITUDE                    | -40 to +100°C, 20 - 95%RH (Non condensing), 9,000m (30,000feet) max  |               |               |        |
|                                       | VIBRATION   | 10 - 55Hz, 49.0m/s <sup>2</sup> (5G), 3minutes period, 60minutes each along X, Y and Z axis                            |               |               |        |
| SAFETY                                | IMPACT  | 196.1m/s <sup>2</sup> (20G), 11ms, once each along X, Y and Z axis   |               |               |        |
|                                       | AGENCY APPROVALS                                      | UL60950-1, C-UL, EN60950-1   |               |               |        |
| OTHERS                                | CASE SIZE/WEIGHT                                      | 57.9×12.7×61.0mm [2.28×0.5×2.4 inches] (W×H×D) / 83g max   |               |               |        |
|                                       | COOLING METHOD  | Conduction cooling (e.g. heat radiation from the aluminum base plate to the attached heat sink)                        |               |               |        |

\*1 At rated input(DC48V), rated load, and aluminum base plate temperature 25°C.

\*2 Ripple and ripple noise is measured by using measuring board with recommended capacitor Co & the film capacitor 0.1 μF. Refer to the manual.

\*3 Drift is the change in DC output for an eight hour period after a half-hour warm-up at 25°C, with the input voltage held constant at the rated input/output.

\*4 Refer to the manual for the input range.

External view



- ※Weight : 83g max
- ※Tolerance : ±0.3 [±0.012]
- ※Case : PBT
- ※Base Plate: Aluminum
- ※Dimensions in mm, [ ]= inches
- ※Mounting hole screwing torque : 0.49N•m(5.0kgf•cm)max

# Mouser Electronics

Authorized Distributor

Click to View Pricing, Inventory, Delivery & Lifecycle Information:

## Cosel:

[CBS1004828](#) [CBS1002424-F2](#) [CBS1002428](#) [CBS1002403-F6](#) [CBS100481R8-R](#) [CBS100242R5-F4](#) [CBS1004824-F2](#) [CBS1002415-RF2](#) [CBS1002412-T](#) [CBS1004805-RT](#) [CBS1002412-F1](#) [CBS1002412-F4](#) [CBS1004812-F5](#) [CBS1002403](#) [CBS1004803-RF2](#) [CBS1002405-RF1](#) [CBS100242R5-RF1](#) [CBS1002428-RT](#) [CBS1004803-F2](#) [CBS1002403-F3](#) [CBS1004805](#) [CBS1002424-F5](#) [CBS1004824-F5](#) [CBS1004815-F6](#) [CBS100241R8-F4](#) [CBS100242R5-T](#) [CBS100481R8-T](#) [CBS1002415-F6](#) [CBS1002412-RF1](#) [CBS1002428-F3](#) [CBS100481R8-F4](#) [CBS100482R5-T](#) [CBS1002405-F4](#) [CBS1002412-F5](#) [CBS1002403-RT](#) [CBS1004815-F3](#) [CBS1002405-RT](#) [CBS100482R5-RF1](#) [CBS1004828-RT](#) [CBS1004828-F3](#) [CBS100241R8-R](#) [CBS100242R5-F1](#) [CBS100481R8-F1](#) [CBS1004824-RF2](#) [CBS1002405-F1](#) [CBS1004803-F6](#) [CBS1004805-R](#) [CBS1004828-R](#) [CBS1004815-F2](#) [CBS1004805-F3](#) [CBS100242R5-R](#) [CBS1004812-T](#) [CBS1002428-F2](#) [CBS1004824-T](#) [CBS100242R5-RT](#) [CBS1004805-F6](#) [CBS100482R5-R](#) [CBS1004828-RF2](#) [CBS1004828-F2](#) [CBS1002424-RF1](#) [CBS1004812-F4](#) [CBS1004824-F1](#) [CBS100241R8-F6](#) [CBS1004803-RF1](#) [CBS1002415-F5](#) [CBS100241R8](#) [CBS100482R5-F4](#) [CBS1002424-T](#) [CBS1002405](#) [CBS1002403-F2](#) [CBS1004815-F5](#) [CBS1002415-RF1](#) [CBS1002405-RF4](#) [CBS100242R5](#) [CBS100482R5-F1](#) [CBS1002428-F6](#) [CBS1004803-F5](#) [CBS100241R8-F3](#) [CBS100481R8](#) [CBS100241R8-RT](#) [CBS1002424-F1](#) [CBS100481R8-RT](#) [CBS1002405-R](#) [CBS1004828-F6](#) [CBS1002428-RF2](#) [CBS100481R8-F3](#) [CBS100482R5-RT](#) [CBS1004812-RF1](#) [CBS1004812-F1](#) [CBS1002403-RF2](#) [CBS1002415-F2](#) [CBS1004824-RF1](#) [CBS1004815-RF2](#) [CBS1002424-F4](#) [CBS100242R5-F3](#) [CBS1004824-F4](#) [CBS100242R5-F6](#) [CBS100482R5](#) [CBS1002412-F3](#) [CBS1004824-RT](#)



Компания «ЭлектроПласт» предлагает заключение долгосрочных отношений при поставках импортных электронных компонентов на взаимовыгодных условиях!

Наши преимущества:

- Оперативные поставки широкого спектра электронных компонентов отечественного и импортного производства напрямую от производителей и с крупнейших мировых складов;
- Поставка более 17-ти миллионов наименований электронных компонентов;
- Поставка сложных, дефицитных, либо снятых с производства позиций;
- Оперативные сроки поставки под заказ (от 5 рабочих дней);
- Экспресс доставка в любую точку России;
- Техническая поддержка проекта, помощь в подборе аналогов, поставка прототипов;
- Система менеджмента качества сертифицирована по Международному стандарту ISO 9001;
- Лицензия ФСБ на осуществление работ с использованием сведений, составляющих государственную тайну;
- Поставка специализированных компонентов (Xilinx, Altera, Analog Devices, Intersil, Interpoint, Microsemi, Aeroflex, Peregrine, Syfer, Eurofarad, Texas Instrument, Miteq, Cobham, E2V, MA-COM, Hittite, Mini-Circuits, General Dynamics и др.);

Помимо этого, одним из направлений компании «ЭлектроПласт» является направление «Источники питания». Мы предлагаем Вам помощь Конструкторского отдела:

- Подбор оптимального решения, техническое обоснование при выборе компонента;
- Подбор аналогов;
- Консультации по применению компонента;
- Поставка образцов и прототипов;
- Техническая поддержка проекта;
- Защита от снятия компонента с производства.



#### Как с нами связаться

**Телефон:** 8 (812) 309 58 32 (многоканальный)

**Факс:** 8 (812) 320-02-42

**Электронная почта:** [org@eplast1.ru](mailto:org@eplast1.ru)

**Адрес:** 198099, г. Санкт-Петербург, ул. Калинина, дом 2, корпус 4, литера А.