

# IDS31-230W

Fully configurable, high-reliability, rugged display solution with choice of brightness, touch and video input 23" Industrial Open Frame Monitor

NEW



## Features

- 23" LCD wide screen panel with LED backlight for long service life
- Wide operating temperature 0 ~ +50° C for broad range of applications
- High brightness 300 cd/m<sup>2</sup>
- Mechanical formats : open frame with VESA standard mounting (Optional : closed frame)
- Configurable Options :
  - Brightness 300 cd/m<sup>2</sup>
  - Viewing angle 89°/89°/89°/89°
  - Mechanical housing
  - VGA,DVI (Optional : HDMI or DisplayPort)
- Touch Options (USB and/or RS232 input) :
  - Projected Capacitive Touch (Optional : 5-Wire Resistive or SAW Touch)



## Introduction

The IDS31-230W is a fully configurable, flexible display solution, able to be specified in a variety of screen brightness's, touch technologies and video inputs including displayport. The product can be specified in a number of compact mechanical constructions meeting all mounting demands, delivering complete flexibility in product design. All products have been designed to meet the demands of the industrial market and have leading in service performance characteristics guaranteed by 100% product burn-in and the service back up of the global Advantech corporation.

## Typical Applications

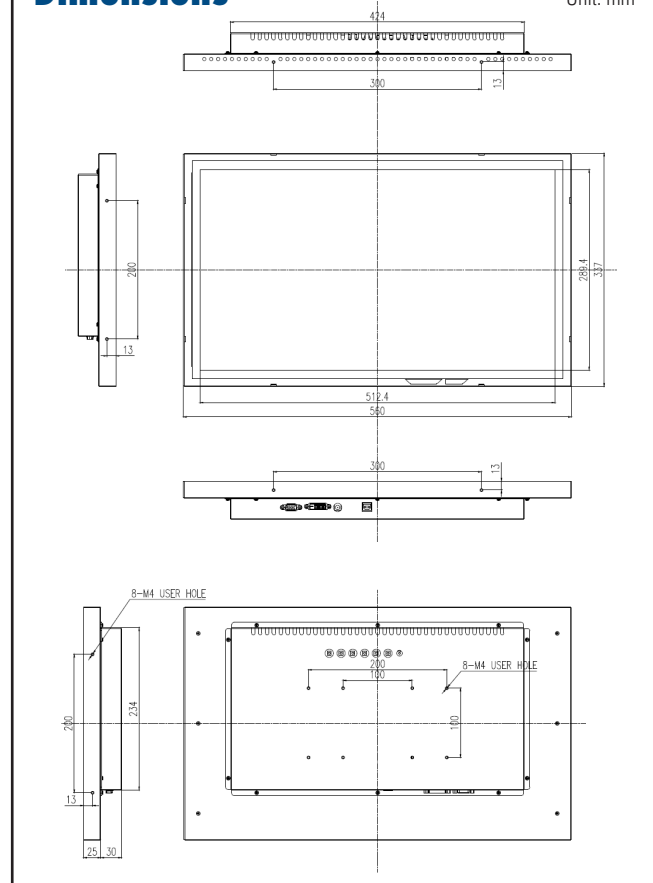
- Casino and gaming
- Industrial controls
- Kiosks and point of sale
- Remote signage and public information
- Transportation

## Specifications

Display Features	Spec	Notes
Model	IDS31-230W	
Backlight	LED + IPS	Light source
Resolution	1920x1080	Native resolution. Other resolutions supported by A/D card scaling
Brightness	300 cd/m <sup>2</sup>	Measured at typical operating voltage
Viewing Angle	89°/89°/89°/89°	Left/Right/Up/Down
Surface Treatment	7H	MoHS/Anti glare
Contrast Ratio	1000:1	In laboratory measurement conditions
Max Colors	264K/16.2m	6/8 bit per colour
Response Time	14 ms	Typical
Backlight Lifetime	30,000 hours	Typ. time to half brightness in room temperature operation

## Dimensions

Unit: mm



## Touch Screen Options

Type 23.0" wide screen	Cover glass (CG)	Analogue Resistive (AR)	Surface Acoustic Wave (SAW)	Surface Capacitive (SCAP)	Projected Capacitive (PCT)	Infra-red (IR)	Multi-touch
	<input checked="" type="checkbox"/>	<input checked="" type="checkbox"/>	<input checked="" type="checkbox"/>	<input type="checkbox"/>	<input checked="" type="checkbox"/>	<input type="checkbox"/>	<input checked="" type="checkbox"/>
Construction	3.2mm heat strengthened glass	ITO film to ITO coated glass	4mm pure glass sensor	Hard coat ITO pure glass	ITO film/film with Chemical strengthened glass	3mm tempered glass with infrared sensor	Either PCT or IR
Surface Durability (no of touches)	7H	3H	7H	<4H	<4H	7H	-
Touches	-	> 1m	>5m	>1m	>1m	>1m	-
Transparency	0	1	1	1	1/2/10/30	1040g/63.5mm	-
Drop Ball	93±2%	81%	90±5%	91±1.5%	82%	-	-
Drop Ball	500g / 50cm	227g/38Φ steel ball from 80cm height	1040g / 90cm	UL60950 (Tough touch only)	227g/38Φ steel ball from 80cm height	1040g/63.5mm ball dropped from height of 1.0m	227g/38Φ steel ball from 80cm height
Added thickness (typ.)	4/5/6/10/12mm	1.8mm	6mm	8mm	3/4/5/6m	See drawing	See drawing
Custom Options	AR coating Optical bonding	Optical bonding	Dustproof, Waterproof, Antiglare, Safe touch	Optical bonding, Tough touch	AR coating, Glass painting, Customer logo, 10point touch (21.5", 23", 24"), Optical bonding	2point, AR coating, Optical bonding	Extended cover glass Back printing Whole cutting

## System/Electrical Features

System / Electrical	Spec	Unit / Notes
Power Consumption	38.0W	Typical consumption at standard brightness and temperature
Power Supply	12V / 3.5A	External DC power brick (included) Input voltage-DC +12V +/-5% @ 2.5A max Power connector: DC jack
Video Input (available options)	v VGA v DVI HDMI COMPOSITE USB DisplayPort	Native resolution. Other resolutions supported by A/D card scaling
On-screen Display (OSD)	5- keys Menu Functions	Menu / up / down / enter / Power ON-OFF Brightness, Contrast, Screen Setting, Colour Temp, Language OSD Settings, VGA/DVI, Recall, Auto Adjust
Custom BIOS options		

## Mechanical Features

Mechanical	Spec	Notes
Overall size	560 x 337 x 55 mm	Including open frame, closed frame and proflat formats
Active Area Size	512.4 (H) x 289.4 (V) mm	
Case / Bezel color	Zintec / Black power coat	Custom colour and finishes available
Weight	8.0kg	Typ .inc touch
VESA Mounting Options:	75 x 75 v 100 x 100 v 100 x 200 Brackets for panel mount	For User defined mounting requirements contact rep

## Environmental Features

Environmental	Spec
Operating Temp	0 to 50° C
Storage Temp	-20 to 60° C
Humidity	90% RH
Vibration	5-500Hz, 0.026G/Hz, 2.16 Grms, X, Y, Z. 1hr per axis
Agency Approvals	CE, FCC, RoHS

## Ordering Information

Model Name	Description
IDS31-230WP30DVA1E	23" wide screen, industrial open-frame monitor with PCT multi-touch touchscreen, 300CD/m <sup>2</sup> brightness, VGA&DVI input

All Advantech monitors are configurable to order. Use [www.advantech.com](http://www.advantech.com) for guidance on versions, pricing and deliver for all models

## Accessory Package

- Power supply (110V-240V), UK/EU/US power cord, VGA cable, DVI cable, USB cable (USB for touch option)



Компания «ЭлектроПласт» предлагает заключение долгосрочных отношений при поставках импортных электронных компонентов на взаимовыгодных условиях!

Наши преимущества:

- Оперативные поставки широкого спектра электронных компонентов отечественного и импортного производства напрямую от производителей и с крупнейших мировых складов;
- Поставка более 17-ти миллионов наименований электронных компонентов;
- Поставка сложных, дефицитных, либо снятых с производства позиций;
- Оперативные сроки поставки под заказ (от 5 рабочих дней);
- Экспресс доставка в любую точку России;
- Техническая поддержка проекта, помощь в подборе аналогов, поставка прототипов;
- Система менеджмента качества сертифицирована по Международному стандарту ISO 9001;
- Лицензия ФСБ на осуществление работ с использованием сведений, составляющих государственную тайну;
- Поставка специализированных компонентов (Xilinx, Altera, Analog Devices, Intersil, Interpoint, Microsemi, Aeroflex, Peregrine, Syfer, Eurofarad, Texas Instrument, Miteq, Cobham, E2V, MA-COM, Hittite, Mini-Circuits, General Dynamics и др.);

Помимо этого, одним из направлений компании «ЭлектроПласт» является направление «Источники питания». Мы предлагаем Вам помощь Конструкторского отдела:

- Подбор оптимального решения, техническое обоснование при выборе компонента;
- Подбор аналогов;
- Консультации по применению компонента;
- Поставка образцов и прототипов;
- Техническая поддержка проекта;
- Защита от снятия компонента с производства.



#### Как с нами связаться

**Телефон:** 8 (812) 309 58 32 (многоканальный)

**Факс:** 8 (812) 320-02-42

**Электронная почта:** [org@eplast1.ru](mailto:org@eplast1.ru)

**Адрес:** 198099, г. Санкт-Петербург, ул. Калинина, дом 2, корпус 4, литера А.