

## 64K x 32, 64Kx36 SYNCHRONOUS FLOW-THROUGH STATIC RAM

OCTOBER 2005

### FEATURES

- Internal self-timed write cycle
- Individual Byte Write Control and Global Write
- Clock controlled, registered address, data and control
- Interleaved or linear burst sequence control using MODE input
- Three chip enables for simple depth expansion and address pipelining
- Common data inputs and data outputs
- Power-down control by ZZ input
- JEDEC 100-Pin TQFP package
- Power Supply:
  - +3.3V V<sub>DD</sub>
  - +3.3V or 2.5V V<sub>DDQ</sub>
- Control pins mode upon power-up:
  - MODE in interleave burst mode
  - ZZ in normal operation mode
- Industrial Temperature Available:  
(-40°C to +85°C)
- Lead-free available

### DESCRIPTION

The *ISSI* IS61LF6432A and IS61LF6436A are high-speed, low-power synchronous static RAM designed to provide a burstable, high-performance, memory. IS61LF6432A is organized as 65,536 words by 32 bits. IS61LF6436A is organized as 65,536 words by 36 bits. They are fabricated with *ISSI*'s advanced CMOS technology. The device integrates a 2-bit burst counter, high-speed SRAM core, and high-drive capability outputs into a single monolithic circuit. All synchronous inputs pass through registers controlled by a positive-edge-triggered single clock input.

Write cycles are internally self-timed and are initiated by the rising edge of the clock input. Write cycles can be from one to four bytes wide as controlled by the write control inputs.

Separate byte enables allow individual bytes to be written. **BW<sub>a</sub>** controls DQ<sub>a</sub>, **BW<sub>b</sub>** controls DQ<sub>b</sub>, **BW<sub>c</sub>** controls DQ<sub>c</sub>, **BW<sub>d</sub>** controls DQ<sub>d</sub>, conditioned by **BWE** being LOW. A LOW on **GW** input would cause all bytes to be written.

Bursts can be initiated with either **ADSP** (Address Status Processor) or **ADSC** (Address Status Cache Controller) input pins. Subsequent burst addresses can be generated internally by the IS61LF6432A/36A and controlled by the **ADV** (burst address advance) input pin.

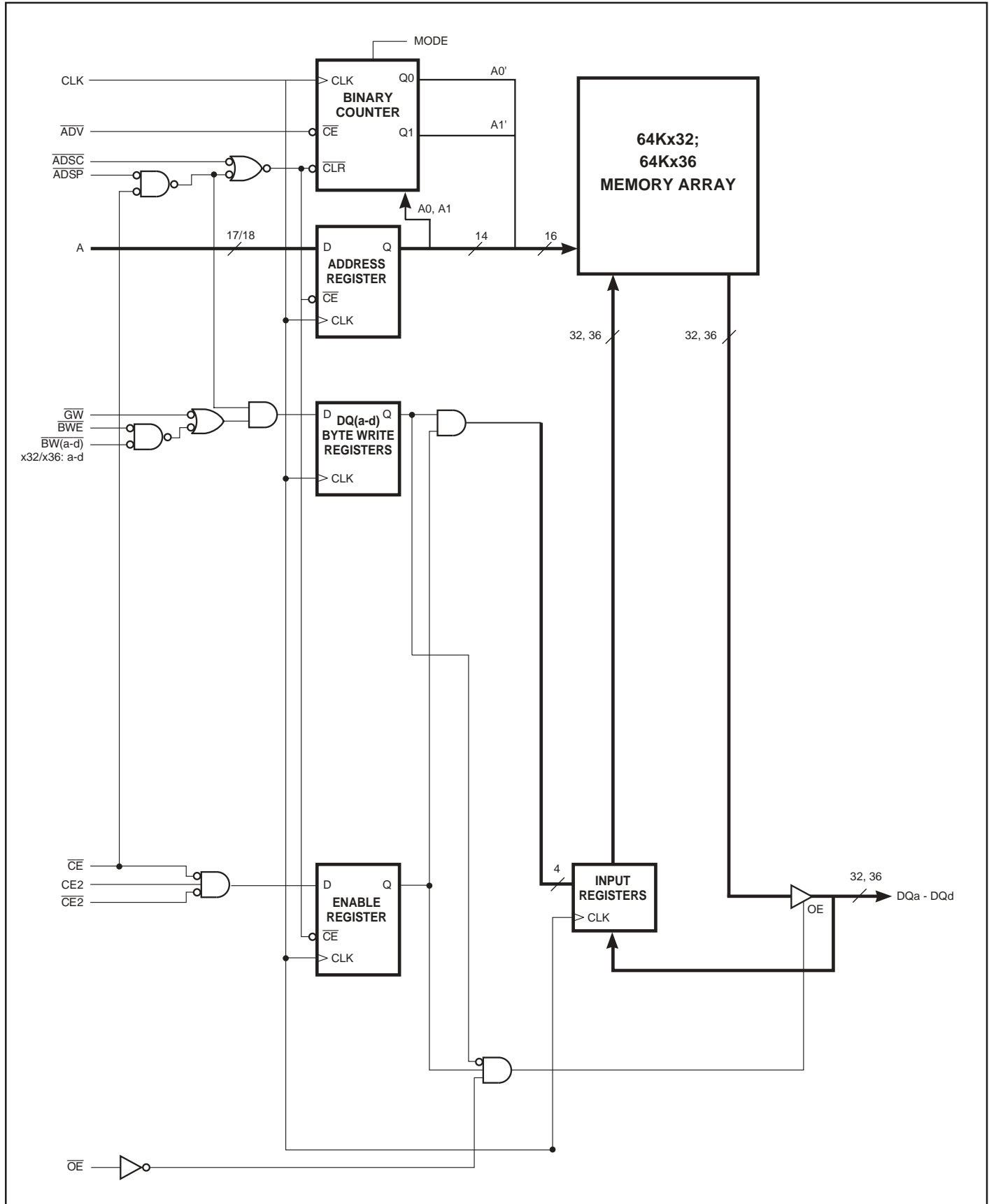
The mode pin is used to select the burst sequence order. Linear burst is achieved when this pin is tied LOW. Interleave burst is achieved when this pin is tied HIGH or left floating.

### FAST ACCESS TIME

| Symbol          | Parameter         | 8.5 | Unit |
|-----------------|-------------------|-----|------|
| t <sub>KQ</sub> | Clock Access Time | 8.5 | ns   |
| t <sub>KC</sub> | Cycle Time        | 11  | ns   |
|                 | Frequency         | 90  | MHz  |

Copyright © 2005 Integrated Silicon Solution, Inc. All rights reserved. ISSI reserves the right to make changes to this specification and its products at any time without notice. ISSI assumes no liability arising out of the application or use of any information, products or services described herein. Customers are advised to obtain the latest version of this device specification before relying on any published information and before placing orders for products.

BLOCK DIAGRAM







TRUTH TABLE

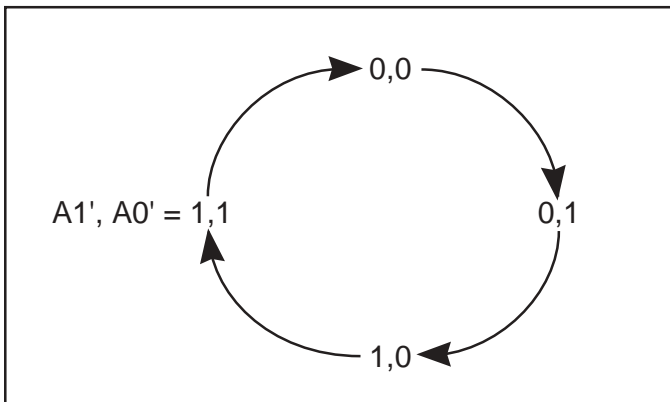
| Operation                   | Address Used | Address         |     |                  |      |      |     |       |                 |        |
|-----------------------------|--------------|-----------------|-----|------------------|------|------|-----|-------|-----------------|--------|
|                             |              | $\overline{CE}$ | CE2 | $\overline{CE2}$ | ADSP | ADSC | ADV | WRITE | $\overline{OE}$ | DQ     |
| Deselected, Power-down      | None         | H               | X   | X                | X    | L    | X   | X     | X               | High-Z |
| Deselected, Power-down      | None         | L               | X   | H                | L    | X    | X   | X     | X               | High-Z |
| Deselected, Power-down      | None         | L               | L   | X                | L    | X    | X   | X     | X               | High-Z |
| Deselected, Power-down      | None         | X               | X   | H                | H    | L    | X   | X     | X               | High-Z |
| Deselected, Power-down      | None         | X               | L   | X                | H    | L    | X   | X     | X               | High-Z |
| Read Cycle, Begin Burst     | External     | L               | H   | L                | L    | X    | X   | X     | X               | Q      |
| Read Cycle, Begin Burst     | External     | L               | H   | L                | H    | L    | X   | Read  | X               | Q      |
| Write Cycle, Begin Burst    | External     | L               | H   | L                | H    | L    | X   | Write | X               | D      |
| Read Cycle, Continue Burst  | Next         | X               | X   | X                | H    | H    | L   | Read  | L               | Q      |
| Read Cycle, Continue Burst  | Next         | X               | X   | X                | H    | H    | L   | Read  | H               | High-Z |
| Read Cycle, Continue Burst  | Next         | H               | X   | X                | X    | H    | L   | Read  | L               | Q      |
| Read Cycle, Continue Burst  | Next         | H               | X   | X                | X    | H    | L   | Read  | H               | High-Z |
| Write Cycle, Continue Burst | Next         | X               | X   | X                | H    | H    | L   | Write | X               | D      |
| Write Cycle, Continue Burst | Next         | H               | X   | X                | X    | H    | L   | Write | X               | D      |
| Read Cycle, Suspend Burst   | Current      | X               | X   | X                | H    | H    | H   | Read  | L               | Q      |
| Read Cycle, Suspend Burst   | Current      | X               | X   | X                | H    | H    | H   | Read  | H               | High-Z |
| Read Cycle, Suspend Burst   | Current      | H               | X   | X                | X    | H    | H   | Read  | L               | Q      |
| Read Cycle, Suspend Burst   | Current      | H               | X   | X                | X    | H    | H   | Read  | H               | High-Z |
| Write Cycle, Suspend Burst  | Current      | X               | X   | X                | H    | H    | H   | Write | X               | D      |
| Write Cycle, Suspend Burst  | Current      | H               | X   | X                | X    | H    | H   | Write | X               | D      |

PARTIAL TRUTH TABLE

| Function        | $\overline{GW}$ | $\overline{BWE}$ | $\overline{BWA}$ | $\overline{BWB}$ | $\overline{BWC}$ | $\overline{BWD}$ |
|-----------------|-----------------|------------------|------------------|------------------|------------------|------------------|
| Read            | H               | H                | X                | X                | X                | X                |
| Read            | H               | L                | H                | H                | H                | H                |
| Write Byte 1    | H               | L                | L                | H                | H                | H                |
| Write All Bytes | H               | L                | L                | L                | L                | L                |
| Write All Bytes | L               | X                | X                | X                | X                | X                |

**INTERLEAVED BURST ADDRESS TABLE (MODE = V<sub>DD</sub> or No Connect)**

| External Address<br>A1 A0 | 1st Burst Address<br>A1 A0 | 2nd Burst Address<br>A1 A0 | 3rd Burst Address<br>A1 A0 |
|---------------------------|----------------------------|----------------------------|----------------------------|
| 00                        | 01                         | 10                         | 11                         |
| 01                        | 00                         | 11                         | 10                         |
| 10                        | 11                         | 00                         | 01                         |
| 11                        | 10                         | 01                         | 00                         |



**ABSOLUTE MAXIMUM RATINGS<sup>(1)</sup>**

| Symbol                             | Parameter  | Value                          | Unit |
|------------------------------------|--|--------------------------------|------|
| T <sub>STG</sub>                   | Storage Temperature  | -55 to +150                    | °C   |
| P <sub>D</sub>                     | Power Dissipation  | 1.6                            | W    |
| I <sub>OUT</sub>                   | Output Current (per I/O)   | 100                            | mA   |
| V <sub>IN</sub> , V <sub>OUT</sub> | Voltage Relative to V <sub>SS</sub> for I/O Pins                   | -0.5 to V <sub>DDQ</sub> + 0.3 | V    |
| V <sub>IN</sub>                    | Voltage Relative to V <sub>SS</sub> for Address and Control Inputs | -0.5 to V <sub>DD</sub> + 0.5  | V    |
| V <sub>DD</sub>                    | Voltage on V <sub>DD</sub> Supply Relative to V <sub>SS</sub>      | -0.5 to 4.6                    | V    |

**Notes:**

1. Stress greater than those listed under ABSOLUTE MAXIMUM RATINGS may cause permanent damage to the device. This is a stress rating only and functional operation of the device at these or any other conditions above those indicated in the operational sections of this specification is not implied. Exposure to absolute maximum rating conditions for extended periods may affect reliability.
2. This device contains circuitry to protect the inputs against damage due to high static voltages or electric fields; however, precautions may be taken to avoid application of any voltage higher than maximum rated voltages to this high-impedance circuit.
3. This device contains circuitry that will ensure the output devices are in High-Z at power up.

OPERATING RANGE

| Range      | Ambient Temperature | V <sub>DD</sub> | 3.3V (I/O)<br>V <sub>DDQ</sub> | 2.5V (I/O)<br>V <sub>DDQ</sub> |
|------------|---------------------|-----------------|--------------------------------|--------------------------------|
| Industrial | -40°C to +85°C      | 3.3V, +10%, -5% | 3.3V, +10%, -5%                | 2.5V ± 5%                      |

DC ELECTRICAL CHARACTERISTICS<sup>(1)</sup> (Over Operating Range)

| Symbol          | Parameter              | Test Conditions  | 2.5V (I/O) |                       | 3.3V (I/O) |                       | Unit |
|-----------------|------------------------|--|------------|-----------------------|------------|-----------------------|------|
|                 |                        |  | Min.       | Max.                  | Min.       | Max.                  |      |
| V <sub>OH</sub> | Output HIGH Voltage    | I <sub>OH</sub> = -4.0 mA (3.3V)<br>I <sub>OH</sub> = 1.0 mA (2.5V)            | 2.0        | —                     | 2.4        | —                     | V    |
| V <sub>OL</sub> | Output LOW Voltage     | I <sub>OL</sub> = 8.0 mA (3.3V)<br>I <sub>OL</sub> = 1.0 mA (2.5V)             | —          | 0.4                   | —          | 0.4                   | V    |
| V <sub>IH</sub> | Input HIGH Voltage     |  | 1.7        | V <sub>DD</sub> + 0.3 | 2.0        | V <sub>DD</sub> + 0.3 | V    |
| V <sub>IL</sub> | Input LOW Voltage      |  | -0.3       | 0.7                   | -0.3       | 0.8                   | V    |
| I <sub>LI</sub> | Input Leakage Current  | V <sub>SS</sub> ≤ V <sub>IN</sub> ≤ V <sub>DD</sub>                            | -5         | 5                     | -5         | 5                     | μA   |
| I <sub>LO</sub> | Output Leakage Current | V <sub>SS</sub> ≤ V <sub>OUT</sub> ≤ V <sub>DDQ</sub> ,<br>OE = V <sub>I</sub> | -5         | 5                     | -5         | 5                     | μA   |

POWER SUPPLY CHARACTERISTICS (Over Operating Range)

| Symbol           | Parameter                   | Test Conditions  |      | 8.5<br>Max. | Unit |
|------------------|-----------------------------|--|------|-------------|------|
| I <sub>CC</sub>  | AC Operating Supply Current | Device Selected,<br>OE = V <sub>IH</sub> , ZZ ≤ V <sub>IL</sub> ,<br>All Inputs ≤ 0.2V or ≥ V <sub>DD</sub> - 0.2V,<br>Cycle Time ≥ t <sub>CC</sub> min. | IND. | 150         | mA   |
| I <sub>SB1</sub> | Standby Current CMOS Input  | Device Deselected,<br>V <sub>DD</sub> = Max.,<br>V <sub>IN</sub> ≤ V <sub>SS</sub> + 0.2V or ≥ V <sub>DD</sub> - 0.2V<br>f = 0                           | IND. | 75          | mA   |
| I <sub>ZZ</sub>  | Sleep Mode                  | ZZ > V <sub>IH</sub>   | IND. | 35          | mA   |

Notes:

1. The MODE pin has an internal pullup. This pin may be a No Connect, tied to V<sub>SS</sub>, or tied to V<sub>DD</sub>.
2. The MODE pin should be tied to V<sub>DD</sub> or V<sub>SS</sub>. It exhibits ±10 μA maximum leakage current when tied to ≤ V<sub>SS</sub> + 0.2V or ≥ V<sub>DD</sub> - 0.2V.

**CAPACITANCE<sup>(1,2)</sup>**

| Symbol           | Parameter                | Conditions            | Max. | Unit |
|------------------|--------------------------|-----------------------|------|------|
| C <sub>IN</sub>  | Input Capacitance        | V <sub>IN</sub> = 0V  | 6    | pF   |
| C <sub>OUT</sub> | Input/Output Capacitance | V <sub>OUT</sub> = 0V | 8    | pF   |

**Notes:**

1. Tested initially and after any design or process changes that may affect these parameters.
2. Test conditions: T<sub>A</sub> = 25°C, f = 1 MHz, V<sub>DD</sub> = 3.3V.

**3.3V I/O AC TEST CONDITIONS**

| Parameter                                   | Unit                |
|---|---------------------|
| Input Pulse Level                           | 0V to 3.0V          |
| Input Rise and Fall Times                   | 1.5 ns              |
| Input and Output Timing and Reference Level | 1.5V                |
| Output Load                                 | See Figures 1 and 2 |

**3.3V I/O OUTPUT LOAD EQUIVALENT**

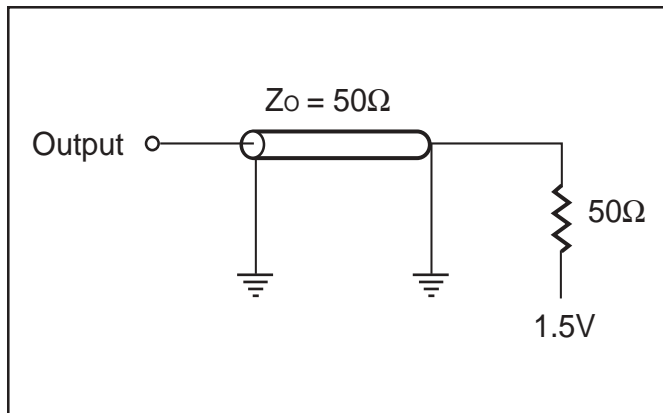


Figure 1

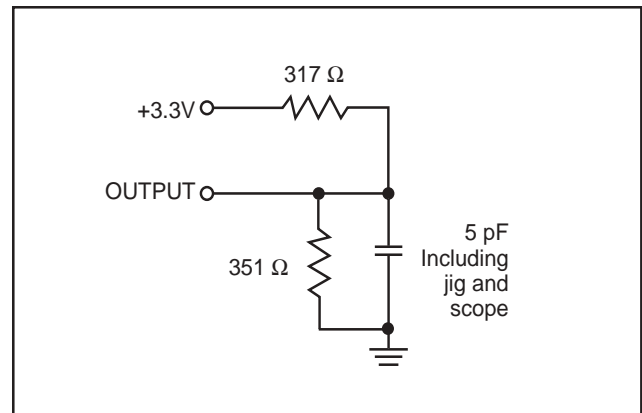


Figure 2



## 2.5V I/O AC TEST CONDITIONS

| Parameter                                   | Unit                |
|---|---------------------|
| Input Pulse Level                           | 0V to 2.5V          |
| Input Rise and Fall Times                   | 1ns                 |
| Input and Output Timing and Reference Level | 1.25V               |
| Output Load                                 | See Figures 3 and 4 |

## 2.5V I/O OUTPUT LOAD EQUIVALENT

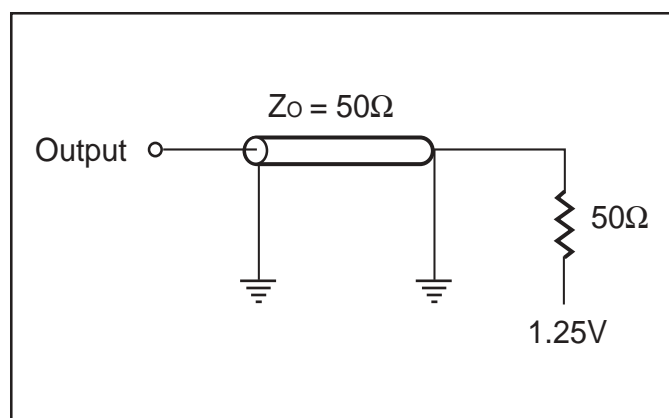


Figure 3

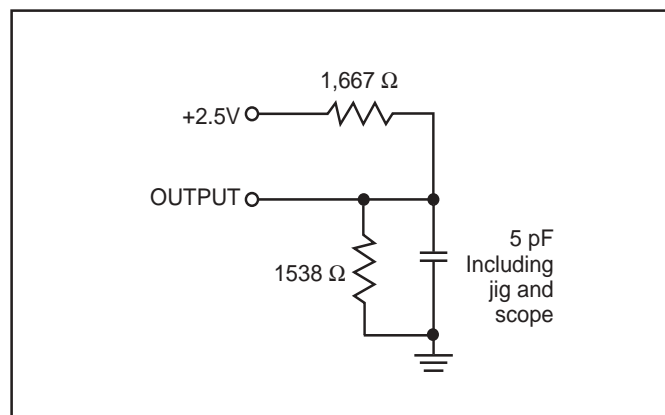


Figure 4

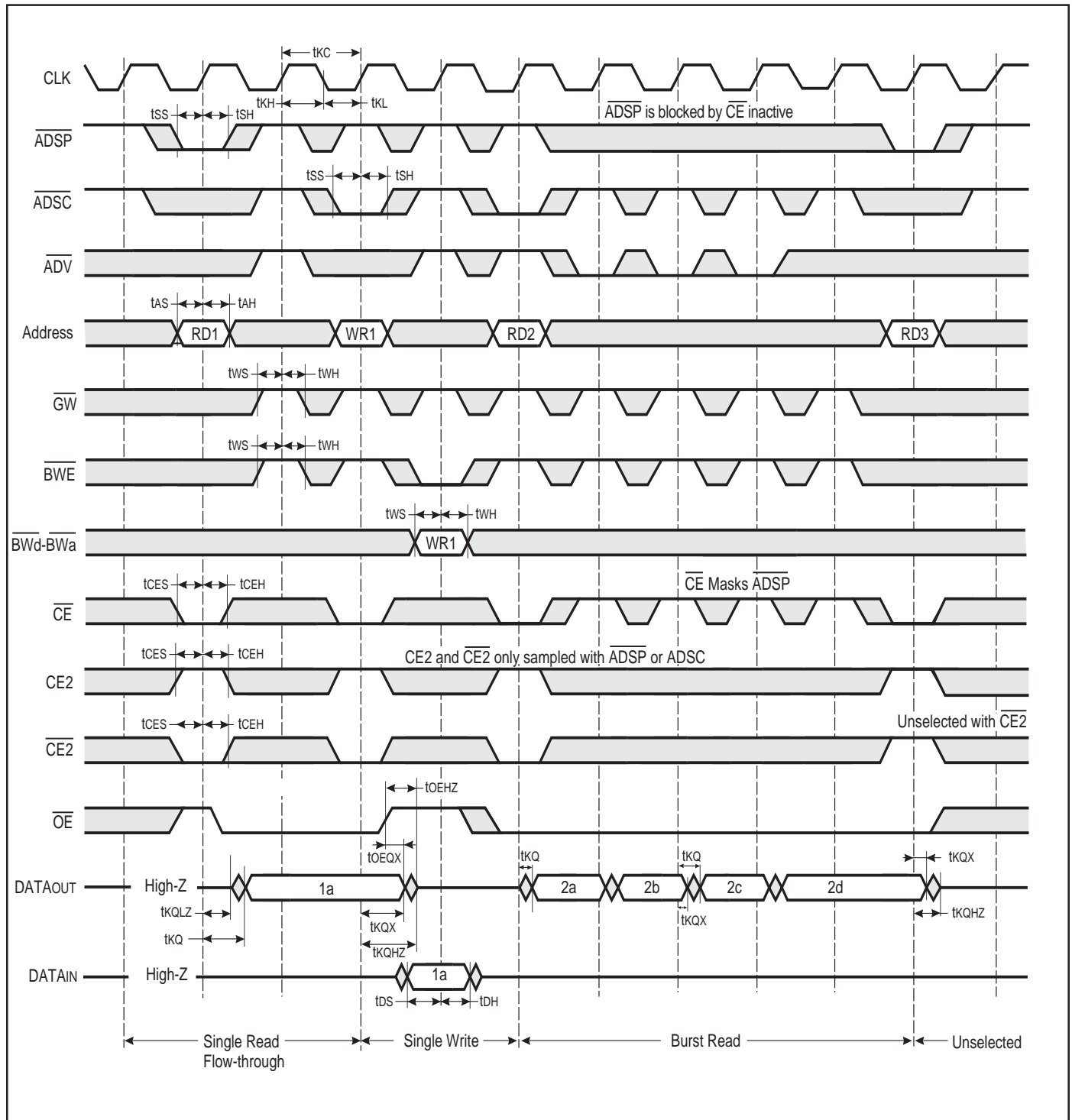
**READ/WRITE CYCLE SWITCHING CHARACTERISTICS (Over Operating Range)**

| Symbol                             | Parameter                       | 8.5  |      | Unit |
|------------------------------------|---------------------------------|------|------|------|
|                                    |                                 | Min. | Max. |      |
| f <sub>MAX</sub> <sup>(3)</sup>    | Clock Frequency                 | —    | 90   | MHz  |
| t <sub>KC</sub> <sup>(3)</sup>     | Cycle Time                      | 11   | —    | ns   |
| t <sub>KH</sub>                    | Clock High Time                 | 4.5  | —    | ns   |
| t <sub>KL</sub> <sup>(3)</sup>     | Clock Low Time                  | 4.5  | —    | ns   |
| t <sub>KQ</sub> <sup>(3)</sup>     | Clock Access Time               | —    | 8.5  | ns   |
| t <sub>KQX</sub> <sup>(1)</sup>    | Clock High to Output Invalid    | 2    | —    | ns   |
| t <sub>KQLZ</sub> <sup>(1,2)</sup> | Clock High to Output Low-Z      | 0    | —    | ns   |
| t <sub>KQHZ</sub> <sup>(1,2)</sup> | Clock High to Output High-Z     | 2    | 3.5  | ns   |
| t <sub>OEQ</sub> <sup>(3)</sup>    | Output Enable to Output Valid   | —    | 4.0  | ns   |
| t <sub>OEQX</sub> <sup>(1)</sup>   | Output Enable to Output Invalid | 2    | —    | ns   |
| t <sub>OELZ</sub> <sup>(1,2)</sup> | Output Enable to Output Low-Z   | 0    | —    | ns   |
| t <sub>OEHZ</sub> <sup>(1,2)</sup> | Output Disable to Output High-Z | —    | 5.0  | ns   |
| t <sub>AS</sub> <sup>(3)</sup>     | Address Setup Time              | 2    | —    | ns   |
| t <sub>SS</sub> <sup>(3)</sup>     | Address Status Setup Time       | 2    | —    | ns   |
| t <sub>WS</sub> <sup>(3)</sup>     | Write Setup Time                | 2    | —    | ns   |
| t <sub>CES</sub> <sup>(3)</sup>    | Chip Enable Setup Time          | 2    | —    | ns   |
| t <sub>AVS</sub> <sup>(3)</sup>    | Address Advance Setup Time      | 2    | —    | ns   |
| t <sub>AH</sub> <sup>(3)</sup>     | Address Hold Time               | 1    | —    | ns   |
| t <sub>SH</sub> <sup>(3)</sup>     | Address Status Hold Time        | 0.5  | —    | ns   |
| t <sub>WH</sub> <sup>(3)</sup>     | Write Hold Time                 | 0.5  | —    | ns   |
| t <sub>CEH</sub> <sup>(3)</sup>    | Chip Enable Hold Time           | 0.5  | —    | ns   |
| t <sub>AVH</sub> <sup>(3)</sup>    | Address Advance Hold Time       | 0.5  | —    | ns   |

**Notes:**

1. Guaranteed but not 100% tested. This parameter is periodically sampled.
2. Tested with load in Figure 2.
3. Tested with load in Figure 1.

READ/WRITE CYCLE TIMING



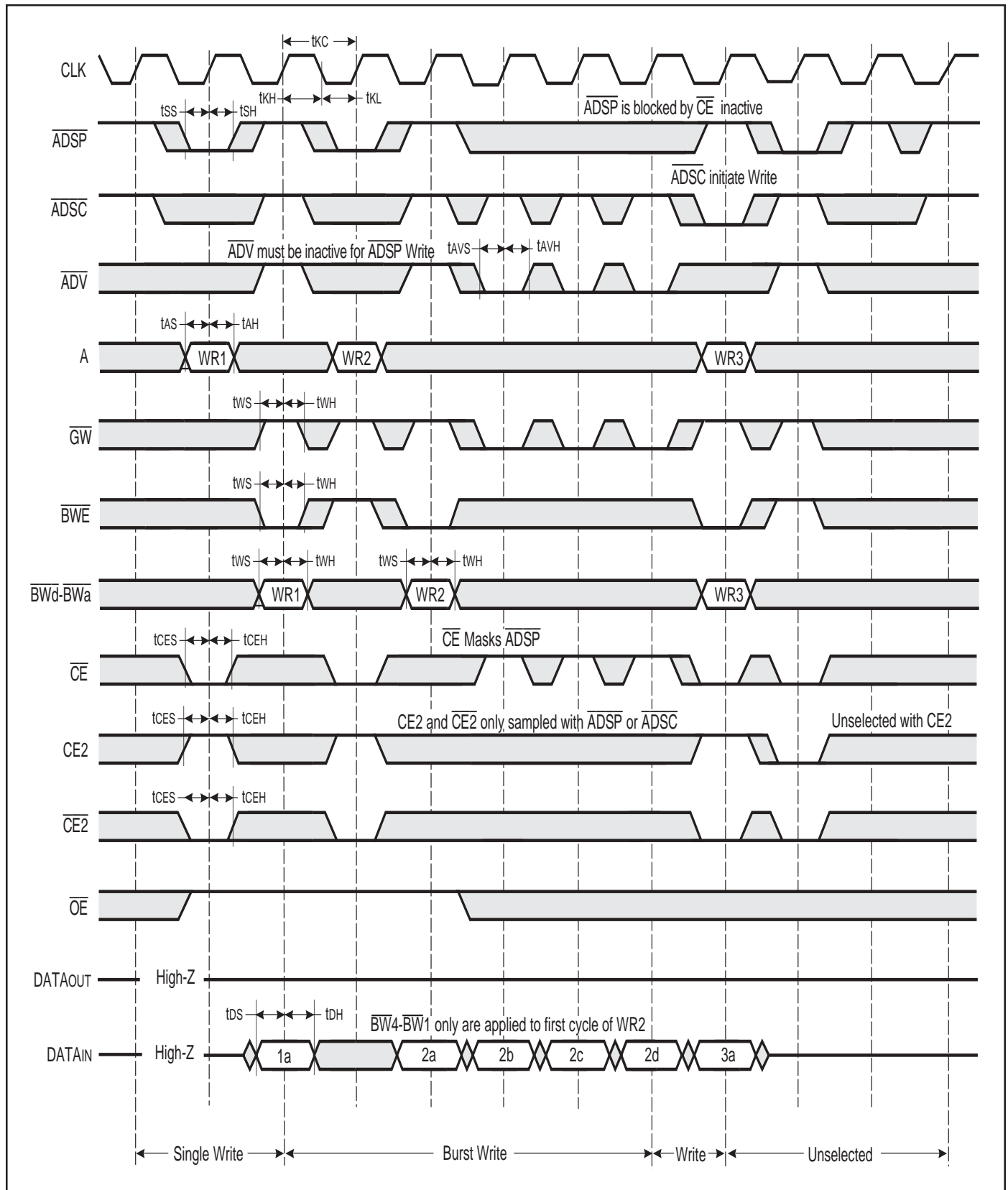
**WRITE CYCLE SWITCHING CHARACTERISTICS** (Over Operating Range)

| Symbol                          | Parameter                  | 8.5  |      | Unit |
|---------------------------------|----------------------------|------|------|------|
|                                 |                            | Min. | Max. |      |
| t <sub>CC</sub> <sup>(1)</sup>  | Cycle Time                 | 11   | —    | ns   |
| t <sub>KH</sub> <sup>(1)</sup>  | Clock High Time            | 4.5  | —    | ns   |
| t <sub>KL</sub> <sup>(1)</sup>  | Clock Low Time             | 4.5  | —    | ns   |
| t <sub>AS</sub> <sup>(1)</sup>  | Address Setup Time         | 2    | —    | ns   |
| t <sub>SS</sub> <sup>(1)</sup>  | Address Status Setup Time  | 2    | —    | ns   |
| t <sub>WS</sub> <sup>(1)</sup>  | Write Setup Time           | 2    | —    | ns   |
| t <sub>DS</sub> <sup>(1)</sup>  | Data In Setup Time         | 3    | —    | ns   |
| t <sub>CEs</sub> <sup>(1)</sup> | Chip Enable Setup Time     | 2    | —    | ns   |
| t <sub>AVS</sub> <sup>(1)</sup> | Address Advance Setup Time | 2    | —    | ns   |
| t <sub>AH</sub> <sup>(1)</sup>  | Address Hold Time          | 1    | —    | ns   |
| t <sub>SH</sub> <sup>(1)</sup>  | Address Status Hold Time   | 0.5  | —    | ns   |
| t <sub>DH</sub> <sup>(1)</sup>  | Data In Hold Time          | 1    | —    | ns   |
| t <sub>WH</sub> <sup>(1)</sup>  | Write Hold Time            | 0.5  | —    | ns   |
| t <sub>CEH</sub> <sup>(1)</sup> | Chip Enable Hold Time      | 0.5  | —    | ns   |
| t <sub>AVH</sub> <sup>(1)</sup> | Address Advance Hold Time  | 0.5  | —    | ns   |

**Notes:**

1. Tested with load in Figure 1.

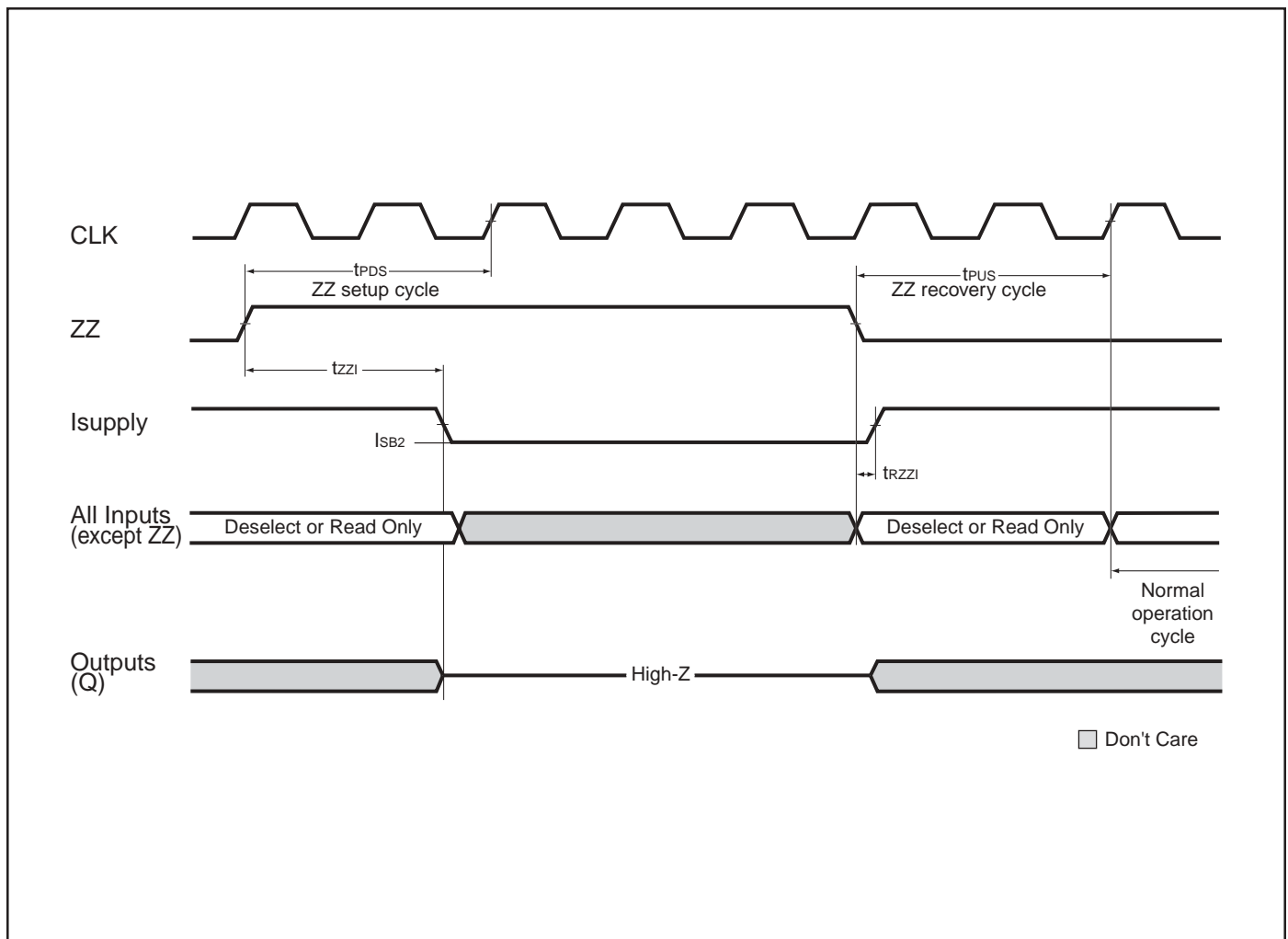
WRITE CYCLE TIMING



**SNOOZE MODE ELECTRICAL CHARACTERISTICS**

| Symbol            | Parameter                          | Conditions           | Min. | Max. | Unit  |
|-------------------|------------------------------------|----------------------|------|------|-------|
| I <sub>SB2</sub>  | Current during SNOOZE MODE         | ZZ ≥ V <sub>ih</sub> | —    | 35   | mA    |
| t <sub>PDS</sub>  | ZZ active to input ignored         |                      | —    | 2    | cycle |
| t <sub>PUS</sub>  | ZZ inactive to input sampled       |                      | 2    | —    | cycle |
| t <sub>zZI</sub>  | ZZ active to SNOOZE current        |                      | —    | 2    | cycle |
| t <sub>rZZI</sub> | ZZ inactive to exit SNOOZE current |                      | 0    | —    | ns    |

**SNOOZE MODE TIMING**



**ORDERING INFORMATION**

**3.3V I/O OR 2.5V I/O**

**Industrial Range: -40°C TO +85°C**

| Speed (ns) | Order Part No.      | Package         |
|------------|---------------------|-----------------|
| 8.5        | IS61LF6432A-8.5TQI  | TQFP            |
|            | IS61LF6432A-8.5TQLI | TQFP, Lead-free |
| 8.5        | IS61LF6436A-8.5TQI  | TQFP            |
|            | IS61LF6436A-8.5TQLI | TQFP, Lead-free |

PACKAGING INFORMATION

TQFP (Thin Quad Flat Pack Package)

Package Code: TQ



| Thin Quad Flat Pack (TQ) |             |       |            |       |           |             |            |        |     |
|--------------------------|-------------|-------|------------|-------|-----------|-------------|------------|--------|-----|
| Symbol                   | Millimeters |       | Inches     |       | Symbol    | Millimeters |            | Inches |     |
|                          | Min         | Max   | Min        | Max   |           | Min         | Max        | Min    | Max |
| Ref. Std.                |             |       |            |       |           |             |            |        |     |
| No. Leads (N)            | 100         |       |            |       | 128       |             |            |        |     |
| A                        | —           | 1.60  | —          | 0.063 | —         | 1.60        | —          | 0.063  |     |
| A1                       | 0.05        | 0.15  | 0.002      | 0.006 | 0.05      | 0.15        | 0.002      | 0.006  |     |
| A2                       | 1.35        | 1.45  | 0.053      | 0.057 | 1.35      | 1.45        | 0.053      | 0.057  |     |
| b                        | 0.22        | 0.38  | 0.009      | 0.015 | 0.17      | 0.27        | 0.007      | 0.011  |     |
| D                        | 21.90       | 22.10 | 0.862      | 0.870 | 21.80     | 22.20       | 0.858      | 0.874  |     |
| D1                       | 19.90       | 20.10 | 0.783      | 0.791 | 19.90     | 20.10       | 0.783      | 0.791  |     |
| E                        | 15.90       | 16.10 | 0.626      | 0.634 | 15.80     | 16.20       | 0.622      | 0.638  |     |
| E1                       | 13.90       | 14.10 | 0.547      | 0.555 | 13.90     | 14.10       | 0.547      | 0.555  |     |
| e                        | 0.65 BSC    |       | 0.026 BSC  |       | 0.50 BSC  |             | 0.020 BSC  |        |     |
| L                        | 0.45        | 0.75  | 0.018      | 0.030 | 0.45      | 0.75        | 0.018      | 0.030  |     |
| L1                       | 1.00 REF.   |       | 0.039 REF. |       | 1.00 REF. |             | 0.039 REF. |        |     |
| C                        | 0°          | 7°    | 0°         | 7°    | 0°        | 7°          | 0°         | 7°     |     |

Notes:

1. All dimensioning and tolerancing conforms to ANSI Y14.5M-1982.
2. Dimensions D1 and E1 do not include mold protrusions. Allowable protrusion is 0.25 mm per side. D1 and E1 do include mold mismatch and are determined at datum plane -H-.
3. Controlling dimension: millimeters.





Компания «ЭлектроПласт» предлагает заключение долгосрочных отношений при поставках импортных электронных компонентов на взаимовыгодных условиях!

Наши преимущества:

- Оперативные поставки широкого спектра электронных компонентов отечественного и импортного производства напрямую от производителей и с крупнейших мировых складов;
- Поставка более 17-ти миллионов наименований электронных компонентов;
- Поставка сложных, дефицитных, либо снятых с производства позиций;
- Оперативные сроки поставки под заказ (от 5 рабочих дней);
- Экспресс доставка в любую точку России;
- Техническая поддержка проекта, помощь в подборе аналогов, поставка прототипов;
- Система менеджмента качества сертифицирована по Международному стандарту ISO 9001;
- Лицензия ФСБ на осуществление работ с использованием сведений, составляющих государственную тайну;
- Поставка специализированных компонентов (Xilinx, Altera, Analog Devices, Intersil, Interpoint, Microsemi, Aeroflex, Peregrine, Syfer, Eurofarad, Texas Instrument, Miteq, Cobham, E2V, MA-COM, Hittite, Mini-Circuits, General Dynamics и др.);

Помимо этого, одним из направлений компании «ЭлектроПласт» является направление «Источники питания». Мы предлагаем Вам помощь Конструкторского отдела:

- Подбор оптимального решения, техническое обоснование при выборе компонента;
- Подбор аналогов;
- Консультации по применению компонента;
- Поставка образцов и прототипов;
- Техническая поддержка проекта;
- Защита от снятия компонента с производства.



#### Как с нами связаться

**Телефон:** 8 (812) 309 58 32 (многоканальный)

**Факс:** 8 (812) 320-02-42

**Электронная почта:** [org@eplast1.ru](mailto:org@eplast1.ru)

**Адрес:** 198099, г. Санкт-Петербург, ул. Калинина, дом 2, корпус 4, литера А.