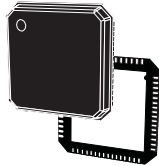



AM/FM/HD-Radio™/DAB automotive digital output tuner



VFQFPN64 (9 x 9 x 1.0 mm)

Features

- AEC-Q100 qualified 
- Full automotive grade RFCMOS design
- Quad-band:
 - AM/FM Band
 - Band-III
 - Band-L
- Software configurable digital base-band interface (I2S or JESD204B)
- Compatible with digital radio standards: DAB, DRM, and HD-Radio™
- Software programmable
- Very high dynamic range built-in $\Sigma\Delta$ ADC
- Very low external component count (no pin diodes, transformers or varicap)
- RoHS compliant small footprint package

Description

The **STA709** is a single chip, full CMOS, quad-band, front-end tuner specifically tailored to Software-Defined-Radio (SDR) systems.

When paired with an application processor, STA709 enables the implementation of a SDR solution to receive analog (AM/FM/WX) and digital terrestrial broadcasting standards (e.g. HD-Radio™/DAB/DRM).

The STA709 features front-end low-noise amplifiers (LNAs) covering AM band (LW/MW/SW), FM and WX bands, DAB band-III and band-L.

After on-chip IF filtering, the STA709 digitizes the signal with a high dynamic range $\Sigma\Delta$ ADC ahead of the complex phase-quadrature base-band signal down conversion to provide a stable digital base-band output to the companion application processor.

The digital base-band signal is transmitted to the application processor via a flexible and configurable serial digital interface operating either as single-ended I2S, LVDS I2S or JESD204B.

The STA709 offers automotive grade and state-of-art RF performances with minimum external component count.

Product status link

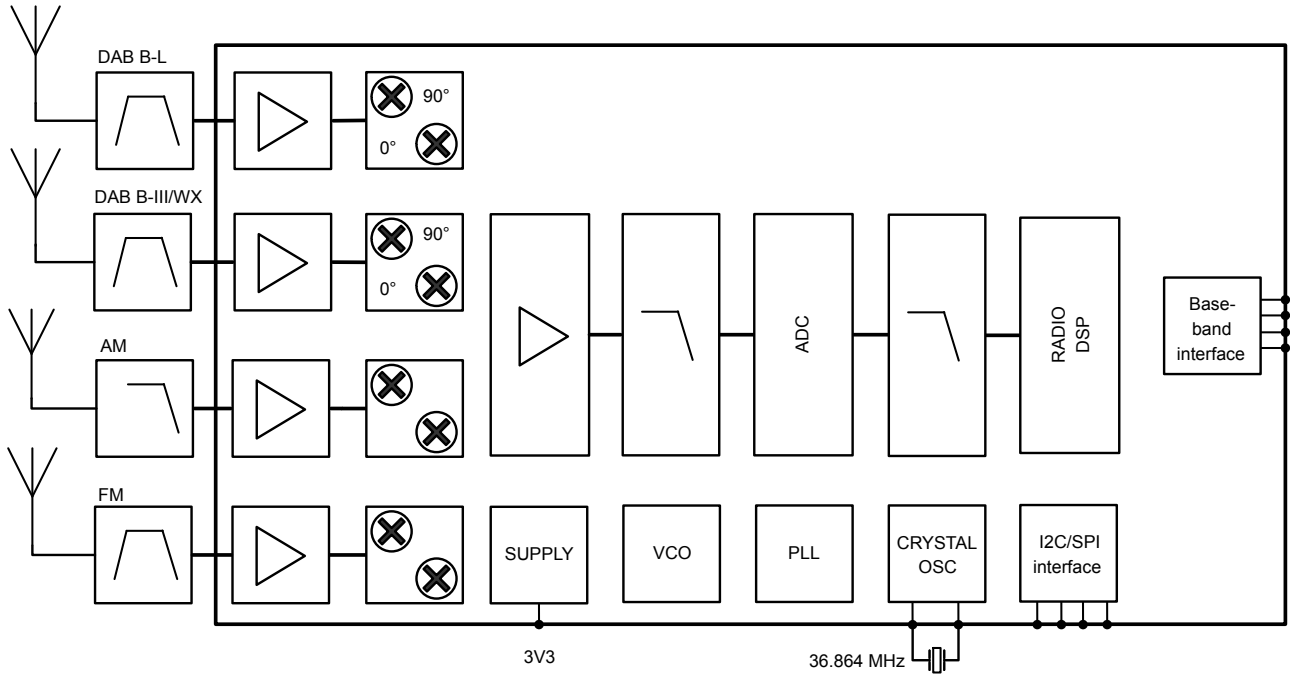
[STA709](#)

Device summary

| Order code | Package | Packing |
|------------|----------------|-------------|
| STA709 | VFQFPN64 | Tray |
| STA709TR | (9 x 9 x 1 mm) | Tape & Reel |

1 Block diagram

Figure 1. Block diagram



2 Electrical specification

2.1 Absolute maximum ratings

Table 1. Absolute maximum ratings

| Symbol | Parameter | Test condition | Min | Typ | Max | Units |
|------------------|---------------------------------------------------------|-----------------------------------|-------------------------|-----|-----|-------|
| V _{CC} | Abs. supply voltage | - | -0.5 | - | 3.6 | V |
| T _{stg} | Storage temperature | - | -55 | - | 150 | °C |
| V _{ESD} | ESD absolute minimum withstand voltage | Human Body model | > ±2000 ⁽¹⁾ | | | V |
| | | Charged device model | > ±500 ⁽²⁾ | | | |
| | | Charged device model, corner pins | > ±750 | | | |
| - | Max. input current at any pin (latch-up characteristic) | I _{INMAX} | ±100 | | | mA |

1. |±1000| on AM_IN pin

2. |±400| on AM_IN pin

2.2 Thermal data

Table 2. Thermal data

| Symbol | Parameter | Test condition | Value | Units |
|-----------------------|----------------------------------------|---------------------------------------|-------|-------|
| R _{th j-amb} | Thermal resistance junction-to-ambient | Multilayer 2s2p as per JEDEC JESD51-7 | 27 | °C/W |

2.3 General key parameters

Table 3. General key parameters

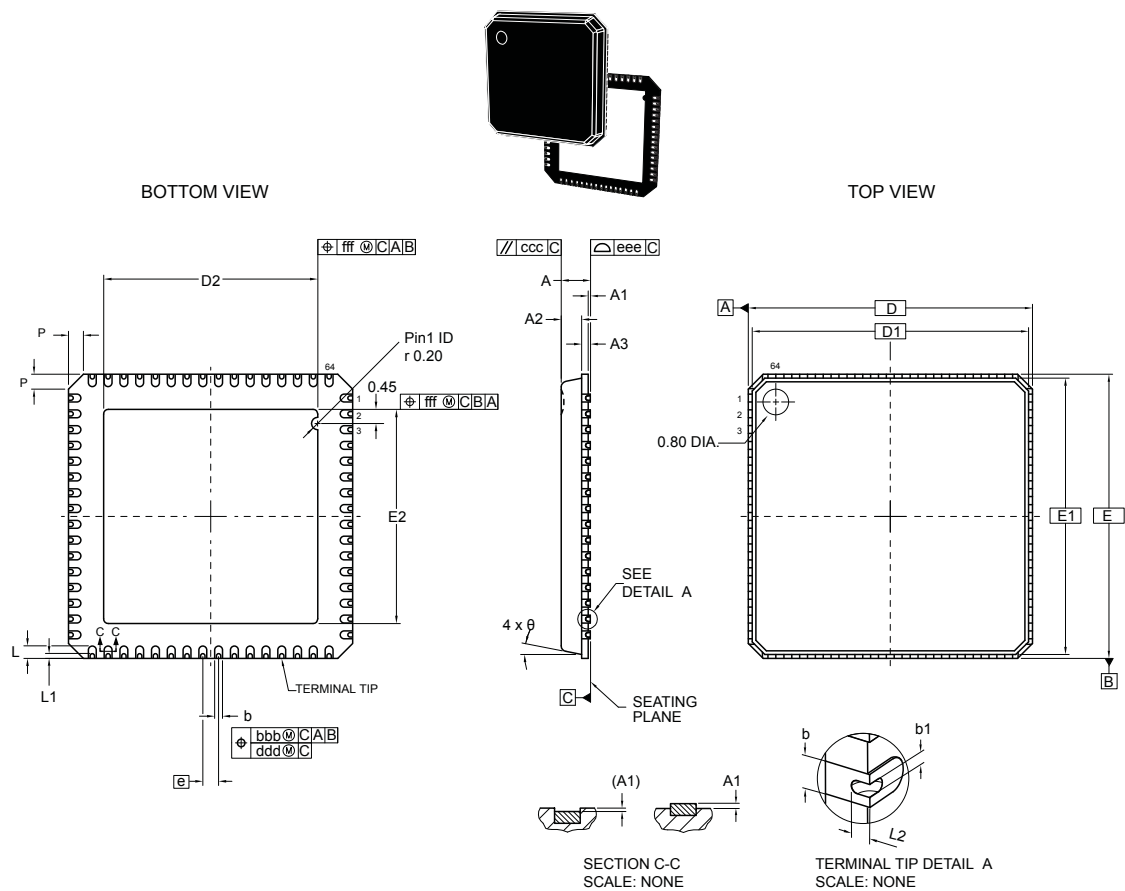
| Symbol | Parameter | Test condition | Min | Typ | Max | Units |
|---------------------|---------------------------|---------------------------------------------|------|-----|------|-------|
| V _{CC} | 3.3 V supply voltage | - | 3.15 | 3.3 | 3.45 | V |
| I _{CC} | Supply current | FM @108 MHz, active interfaces (10 pF load) | - | - | 309 | mA |
| T _{amb} | Ambient temperature range | - | -40 | - | 85 | °C |
| T _{j_oper} | Operative junction temp | - | - | - | 125 | °C |
| P _{diss} | Dissipated power | R _{ext} = 12 Ohm | - | - | 1 | W |

3 Package information

In order to meet environmental requirements, ST offers these devices in different grades of **ECOPACK** packages, depending on their level of environmental compliance. ECOPACK specifications, grade definitions and product status are available at: www.st.com. ECOPACK is an ST trademark.

3.1 VFQFPN-64 (9x9x1.0mm) package information

Figure 2. VFQFPN-64 (9x9x1.0 mm) package outline



8511068_B_A02G

GAPGPS03460

Table 4. VFQFPN-64 (9x9x1.0 mm) package mechanical data

| Ref. | Dimensions in mm | | |
|------------------|------------------|------|------|
| | Min. | Typ. | Max. |
| Θ | - | - | 14 |
| A | - | - | 1.0 |
| A1 | 0.00 | - | 0.05 |
| A2 | 0.55 | - | 0.80 |
| A3 | 0.20 REF | | |
| b ⁽¹⁾ | 0.18 | 0.25 | 0.30 |

| Ref. | Dimensions in mm | | |
|---------------------------------------|------------------|------|------|
| | Min. | Typ. | Max. |
| b1 | - | 0.15 | - |
| D | 9.00 BSC | | |
| D1 ⁽²⁾ | 8.75 BSC | | |
| D2 | - | 6.70 | - |
| e | 0.50 BSC | | |
| E | 9.00 BSC | | |
| E1 ⁽²⁾ | 8.75 BSC | | |
| E2 | - | 6.70 | - |
| L | 0.30 | - | 0.50 |
| L1 | 0.15 REF | | |
| L2 | - | 0.10 | - |
| P | - | - | 0.60 |
| Tolerance of form and position | | | |
| aaa | 0.15 | | |
| bbb | 0.10 | | |
| ccc | 0.10 | | |
| ddd | 0.05 | | |
| eee | 0.08 | | |
| fff | 0.10 | | |

1. Maximum allowable burr is 0.076 mm in all directions.

2. D1 and E1 are Maximum plastic body size dimensions including mold mismatch. Dimensions D1 and E1 do not include mold flash or protrusions. Allowable mold flash or protrusions is "0.25 mm (0.0098 inch)" per side.

Note: The package is compliant to IPC/JEDEC J-STD-020D June 2007 standard Moisture/Reflow Sensitivity Classification for Nonhermetic Solid State Surface Mount Devices, MSL Level 3.

Revision history

Table 5. Document revision history

| Date | Revision | Changes |
|-------------|----------|--------------------------------------------------|
| 29-Nov-2016 | 1 | Initial release. |
| 25-Nov-2019 | 2 | Updated Figure 1. Block diagram. |

IMPORTANT NOTICE – PLEASE READ CAREFULLY

STMicroelectronics NV and its subsidiaries (“ST”) reserve the right to make changes, corrections, enhancements, modifications, and improvements to ST products and/or to this document at any time without notice. Purchasers should obtain the latest relevant information on ST products before placing orders. ST products are sold pursuant to ST’s terms and conditions of sale in place at the time of order acknowledgement.

Purchasers are solely responsible for the choice, selection, and use of ST products and ST assumes no liability for application assistance or the design of Purchasers’ products.

No license, express or implied, to any intellectual property right is granted by ST herein.

Resale of ST products with provisions different from the information set forth herein shall void any warranty granted by ST for such product.

ST and the ST logo are trademarks of ST. For additional information about ST trademarks, please refer to www.st.com/trademarks. All other product or service names are the property of their respective owners.

Information in this document supersedes and replaces information previously supplied in any prior versions of this document.

© 2019 STMicroelectronics – All rights reserved



Компания «ЭлектроПласт» предлагает заключение долгосрочных отношений при поставках импортных электронных компонентов на взаимовыгодных условиях!

Наши преимущества:

- Оперативные поставки широкого спектра электронных компонентов отечественного и импортного производства напрямую от производителей и с крупнейших мировых складов;
- Поставка более 17-ти миллионов наименований электронных компонентов;
- Поставка сложных, дефицитных, либо снятых с производства позиций;
- Оперативные сроки поставки под заказ (от 5 рабочих дней);
- Экспресс доставка в любую точку России;
- Техническая поддержка проекта, помощь в подборе аналогов, поставка прототипов;
- Система менеджмента качества сертифицирована по Международному стандарту ISO 9001;
- Лицензия ФСБ на осуществление работ с использованием сведений, составляющих государственную тайну;
- Поставка специализированных компонентов (Xilinx, Altera, Analog Devices, Intersil, Interpoint, Microsemi, Aeroflex, Peregrine, Syfer, Eurofarad, Texas Instrument, Miteq, Cobham, E2V, MA-COM, Hittite, Mini-Circuits, General Dynamics и др.);

Помимо этого, одним из направлений компании «ЭлектроПласт» является направление «Источники питания». Мы предлагаем Вам помощь Конструкторского отдела:

- Подбор оптимального решения, техническое обоснование при выборе компонента;
- Подбор аналогов;
- Консультации по применению компонента;
- Поставка образцов и прототипов;
- Техническая поддержка проекта;
- Защита от снятия компонента с производства.



Как с нами связаться

Телефон: 8 (812) 309 58 32 (многоканальный)

Факс: 8 (812) 320-02-42

Электронная почта: org@eplast1.ru

Адрес: 198099, г. Санкт-Петербург, ул. Калинина, дом 2, корпус 4, литера А.