

### Features

- Surface Mount Device
- No Wire Bonding Required
- Rugged Silicon-Glass Construction
- Silicon Nitride Passivation
- Polymer Scratch Protection
- Low Parasitic Capacitance and Inductance
- Higher Average and Peak Power Handling
- RoHS\* Compliant and 260°C Reflow Compatible

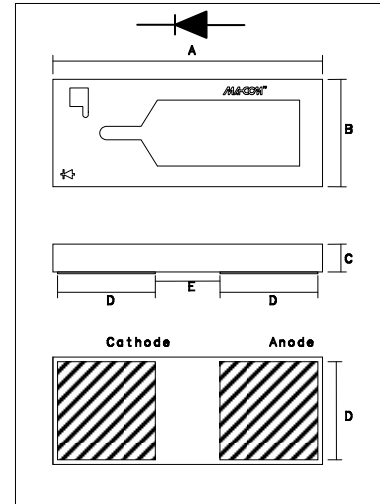
### Description and Applications

This device is a silicon-glass PIN diode chip fabricated with M/A-COM Technology Solutions patented HMIC™ process. This device features two silicon pedestals embedded in a low loss glass. The diode is formed on the top of one pedestal and connections to the backside of the device are facilitated by making the pedestal sidewalls conductive. Selective backside metalization is applied producing a surface mount device. The topside is fully encapsulated with silicon nitride and has an additional polymer layer for scratch protection. These protective coatings prevent damage to the junction and the anode air-bridge during handling and assembly.

These packageless devices are suitable for usage in moderate incident power (10 W C.W.) or higher incident peak power (500 W) series, shunt, or series-shunt switches. Small parasitic inductance, 0.35 nH, and an excellent RC time constant, 0.22 pS, make these devices ideal for switch applications where higher  $P_{1dB}$  and IP3 values are required. These diodes can also be used in p, T, tapered resistance, and switched-pad attenuator control circuits for 50W or 75W systems.

| Ordering Information  |  |
|-----------------------|--|
| Gel Pack (100 pieces) | Tape and Reel<br>Pocket Tape (3000 pieces) |
| MA4SPS502             | MADP-000502-12700P                         |

### Case Style Outline Drawing ODS-1270<sup>1,2</sup>



1. Backside metal: 0.1 μm thick.
2. Hatched areas indicate backside ohmic gold contacts.

| DIM | INCHES |       | MM   |      |
|-----|--------|-------|------|------|
|     | Min.   | Max.  | Min. | Max. |
| A   | 0.058  | 0.062 | 1.47 | 1.57 |
| B   | 0.026  | 0.030 | 0.66 | 0.76 |
| C   | 0.004  | 0.006 | 0.10 | 0.15 |
| D   | 0.020  | 0.022 | 0.51 | 0.56 |
| E   | 0.013  | 0.015 | 0.33 | 0.38 |

### Absolute Maximum Ratings @ T<sub>AMB</sub> = 25°C

| Parameter                       | Absolute Maximum |
|---------------------------------|------------------|
| Forward Current                 | 600mA            |
| Reverse Voltage                 | -275 V           |
| Operating Temperature           | -65°C to +125°C  |
| Storage Temperature             | -55 °C to +150°C |
| Junction Temperature            | +175°C           |
| Dissipated Power<br>( RF & DC ) | 3W               |

\* Restrictions on Hazardous Substances, European Union Directive 2002/95/EC.

**ADVANCED:** Data Sheets contain information regarding a product M/A-COM Technology Solutions is considering for development. Performance is based on target specifications, simulated results, and/or prototype measurements. Commitment to develop is not guaranteed.

**PRELIMINARY:** Data Sheets contain information regarding a product M/A-COM Technology Solutions has under development. Performance is based on engineering tests. Specifications are typical. Mechanical outline has been fixed. Engineering samples and/or test data may be available. Commitment to produce in volume is not guaranteed.

• **North America** Tel: 800.366.2266 • **Europe** Tel: +353.21.244.6400  
 • **India** Tel: +91.80.43537383 • **China** Tel: +86.21.2407.1588  
 Visit [www.macontech.com](http://www.macontech.com) for additional data sheets and product information.

M/A-COM Technology Solutions Inc. and its affiliates reserve the right to make changes to the product(s) or information contained herein without notice.

## Electrical Specifications @ T<sub>AMB</sub> = +25°C

| Symbol          | Conditions                      | Units | Min. | Typical | Max.  |
|-----------------|---------------------------------|-------|------|---------|-------|
| C <sub>T</sub>  | -40V, 1MHz                      | pF    |      | 0.140   | 0.200 |
|                 | -40V, 1GHz                      | pF    |      | 0.090   |       |
| R <sub>S</sub>  | 100mA, 100MHz                   | Ω     |      | 1.4     | 2.2   |
|                 | 20mA, 100MHz                    | Ω     |      | 2.4     | 3.2   |
| V <sub>F</sub>  | 10mA                            | V     |      | 0.87    | 1.00  |
| V <sub>R</sub>  | 10μA                            | V     | -200 | -275    |       |
| I <sub>R</sub>  | -200V                           | μA    |      |         | -10   |
|                 | -40V                            | nA    |      | 8       |       |
| θ <sub>JL</sub> | Steady State                    | °C/W  |      | 50      |       |
| T <sub>L</sub>  | +10mA / -6mA<br>( 50% - 90% V ) | μS    |      | 2.8     |       |

### Handling

All semiconductor chips should be handled with care to avoid damage or contamination from perspiration and skin oils. The use of plastic tipped tweezers or vacuum pickups is strongly recommended for individual components. Bulk handling should ensure that abrasion and mechanical shock are minimized.

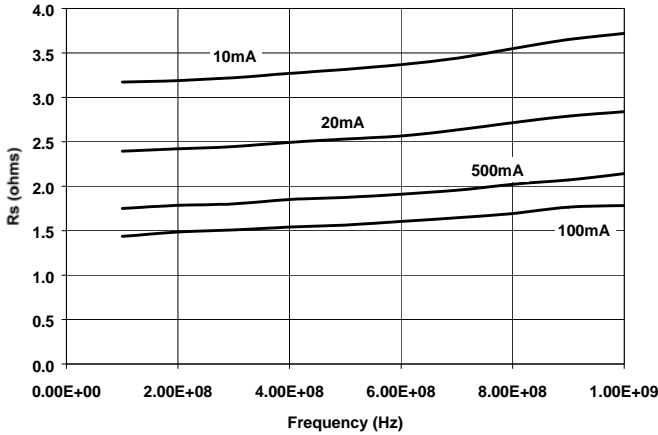
### Die Attach

Attachment to a circuit board is made simple through the use of surface mount technology. Mounting pads are conveniently located on the bottom surface of these devices and are removed from the active junction locations. These devices are well suited for solder attachment onto hard and soft substrates. The use of 80/20, Au/Sn or RoHS compliant solders is recommended. A conductive silver epoxy may also be used.

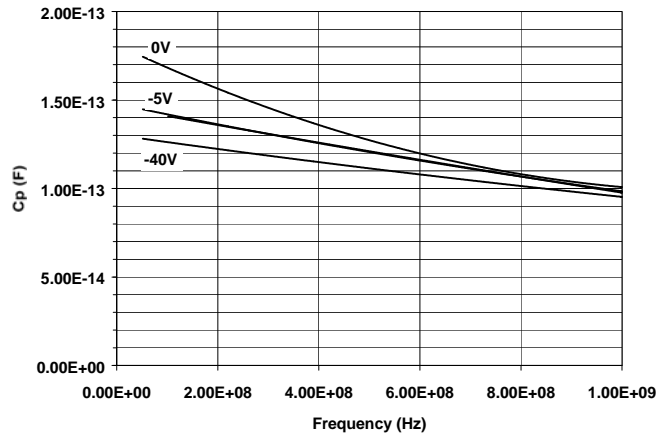
When soldering these devices to a hard substrate, hot gas die bonding is preferred. We recommend utilizing a vacuum tip and force of 60 to 100 grams applied to the top surface of the device. When soldering to soft substrates, it is recommended to use a Gold-Tin interface at the circuit board mounting pads. Position the device so that its mounting pads are force aligned with the circuit board mounting pads and reflow the solder by heating the circuit trace near the mounting pads while applying 60 to 100 grams of perpendicular to the top surface of the die.

The solder joint must **not** be made one pad at a time. Doing so could create unequal heat flow and produce thermal and/or mechanical stresses. It is also **not** recommended to reflow solder by causing heat to flow through the top surface of the die. Since the HMIC glass is transparent, the edges of the mounting pads can be visually inspected through the die after attach is completed.

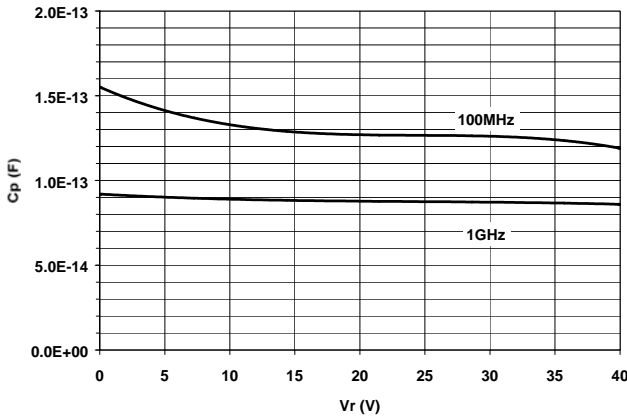
**Typical Total Resistance ( $R_s$ ) vs. Forward Current ( $I_f$ ) and Frequency**



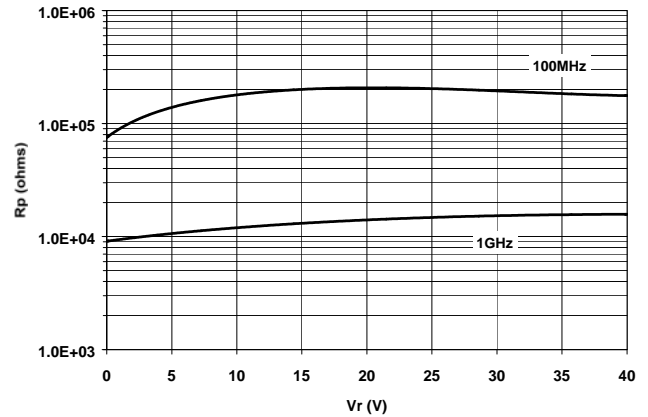
**Typical Total Capacitance ( $C_T$ ) vs. Reverse ( $V_r$ ) Voltage and Frequency**



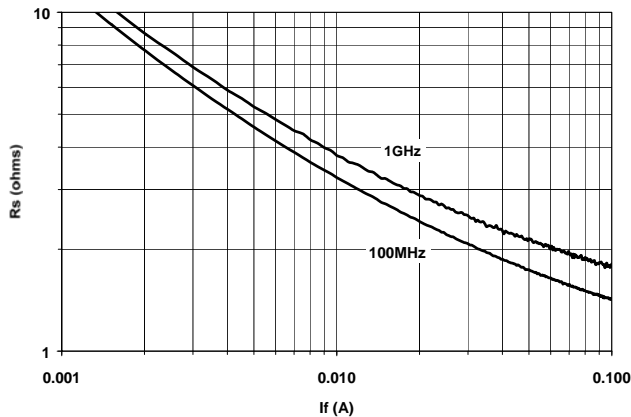
**$C_T$  vs.  $V_r$  @ 100MHz and 1GHz**



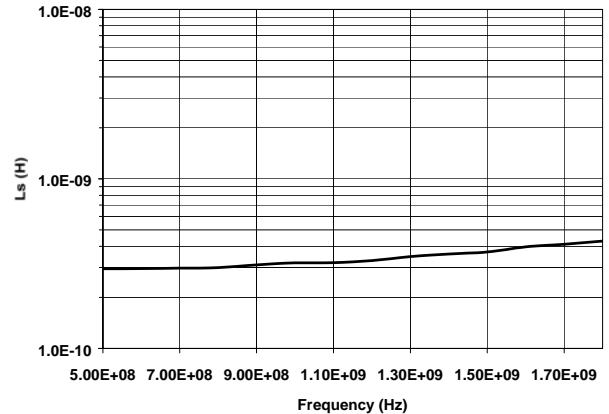
**Parallel Resistance ( $R_p$ ) vs.  $V_r$  @ 100MHz**



**$R_s$  vs.  $I_f$  @ 100MHz and 1GHz**



**Series Inductance ( $L_s$ ) vs. Frequency @ 10mA**



**ADVANCED:** Data Sheets contain information regarding a product M/A-COM Technology Solutions is considering for development. Performance is based on target specifications, simulated results, and/or prototype measurements. Commitment to develop is not guaranteed.  
**PRELIMINARY:** Data Sheets contain information regarding a product M/A-COM Technology Solutions has under development. Performance is based on engineering tests. Specifications are typical. Mechanical outline has been fixed. Engineering samples and/or test data may be available. Commitment to produce in volume is not guaranteed.

• **North America** Tel: 800.366.2266 • **Europe** Tel: +353.21.244.6400  
 • **India** Tel: +91.80.43537383 • **China** Tel: +86.21.2407.1588  
 Visit [www.macontech.com](http://www.macontech.com) for additional data sheets and product information.

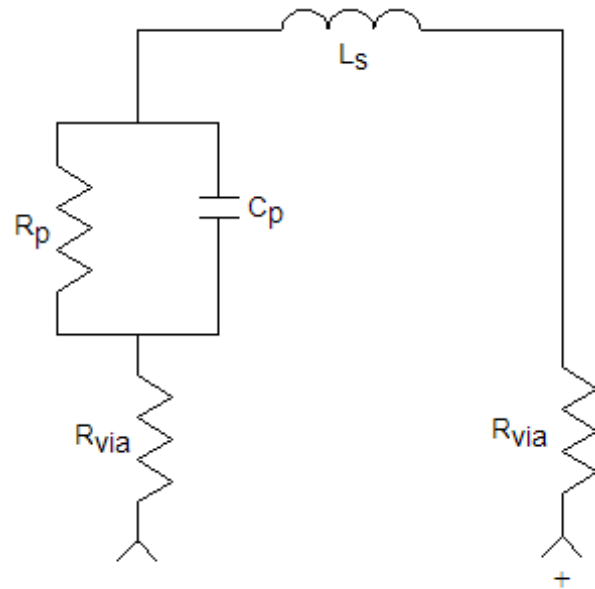
M/A-COM Technology Solutions Inc. and its affiliates reserve the right to make changes to the product(s) or information contained herein without notice.

## MA4SPS502 ADS SPICE Model & Schematic

### MA4SPS502 SPICE Model

|                               |             |
|-------------------------------|-------------|
| PinDiodeModel                 | wBv=200 V   |
| NLPINM1                       | wPmax=2.0 W |
| Is=1.0E-14 A                  | Ffe=1.0     |
| Vi=0.0 V                      |             |
| Un=900 cm <sup>2</sup> /V-sec |             |
| Wi=40 um                      |             |
| Rr=20 K Ohm                   |             |
| Cmin=0.12 pF                  |             |
| Tau=2.8 usec                  |             |
| Rs=0.1 Ohm                    |             |
| Cj0=0.18 pF                   |             |
| Vj=0.7 V                      |             |
| M=0.5                         |             |
| Fc=0.5                        |             |
| Imax=2.5E+7 A/m <sup>2</sup>  |             |
| Kf=0.0                        |             |
| Af=1.0                        |             |

### MA4SPS502 Lumped Element Model



Note:  $R_S = 2 \cdot R_{via} + R_p$



Компания «ЭлектроПласт» предлагает заключение долгосрочных отношений при поставках импортных электронных компонентов на взаимовыгодных условиях!

Наши преимущества:

- Оперативные поставки широкого спектра электронных компонентов отечественного и импортного производства напрямую от производителей и с крупнейших мировых складов;
- Поставка более 17-ти миллионов наименований электронных компонентов;
- Поставка сложных, дефицитных, либо снятых с производства позиций;
- Оперативные сроки поставки под заказ (от 5 рабочих дней);
- Экспресс доставка в любую точку России;
- Техническая поддержка проекта, помощь в подборе аналогов, поставка прототипов;
- Система менеджмента качества сертифицирована по Международному стандарту ISO 9001;
- Лицензия ФСБ на осуществление работ с использованием сведений, составляющих государственную тайну;
- Поставка специализированных компонентов (Xilinx, Altera, Analog Devices, Intersil, Interpoint, Microsemi, Aeroflex, Peregrine, Syfer, Eurofarad, Texas Instrument, Miteq, Cobham, E2V, MA-COM, Hittite, Mini-Circuits, General Dynamics и др.);

Помимо этого, одним из направлений компании «ЭлектроПласт» является направление «Источники питания». Мы предлагаем Вам помощь Конструкторского отдела:

- Подбор оптимального решения, техническое обоснование при выборе компонента;
- Подбор аналогов;
- Консультации по применению компонента;
- Поставка образцов и прототипов;
- Техническая поддержка проекта;
- Защита от снятия компонента с производства.



#### Как с нами связаться

**Телефон:** 8 (812) 309 58 32 (многоканальный)

**Факс:** 8 (812) 320-02-42

**Электронная почта:** [org@eplast1.ru](mailto:org@eplast1.ru)

**Адрес:** 198099, г. Санкт-Петербург, ул. Калинина, дом 2, корпус 4, литера А.