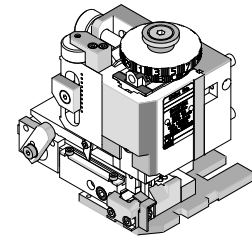




**FineAdjust  
Applicator**

**Application Tooling  
Specification Sheet**



**Order No. 63868-8000**

**FEATURES**

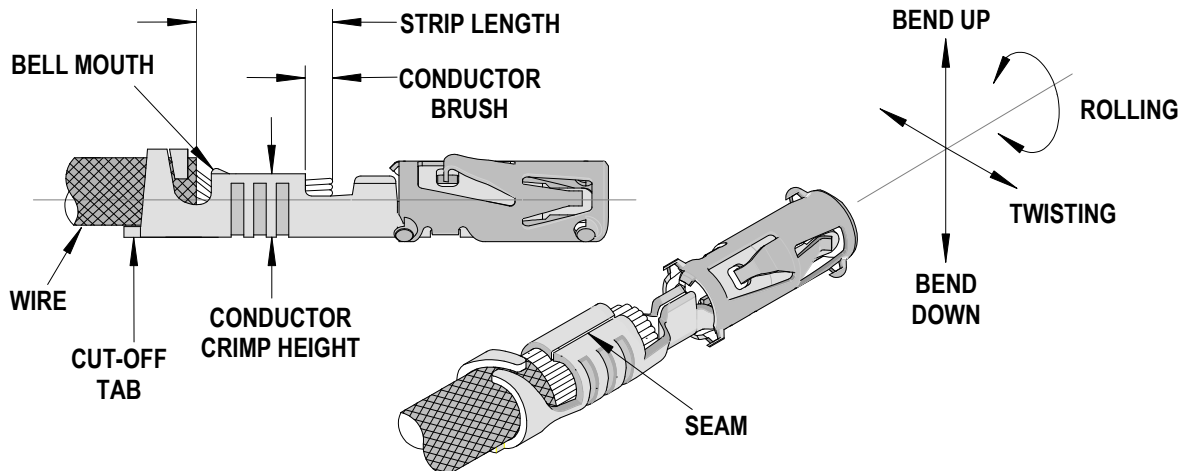
- Directly adapts to most automatic wire processing machines
- Quick punch removal with the push of a button for fast and easy tooling change
- Applicator designed to industry standard mounting and shut height 135.80mm (5.346")
- Quick set-up time; plus the crimp height, track and feed adjustments can be set without removing the applicator from the press
- Fine adjustment allows users to achieve target with little effort by adjusting in increments of .015mm (.0006") for conductor crimp height and .063mm (.0025") for insulation height
- Independent adjustment rings allow users to quickly adjust the conductor or insulation crimp height without affecting each other

**SCOPE**

Products: 1.50mm (.059") CP Crimp Terminal for CMC connector, 0.50-1.00mm<sup>2</sup>.

Terminal Series No.	Terminal Order No.	Wire Size		Insulation Type	Insulation Diameter		Strip Length	
		AWG	mm <sup>2</sup>		mm	In.	mm	In.
98915	98915-1029 98915-1319	---	1.00	ID and IR	1.75-2.00	.069-.079	4.50	.177
		---	0.75	ID	1.65-1.80	.065-.071	4.50	.177
		---	0.60	IR	1.75-1.90	.069-.075	4.50	.177
		---	0.50	ID	1.35-1.50	.053-.059	4.50	.177
64323	64323-1029 64323-1319	---	1.00	ID and IR	1.75-2.00	.069-.079	4.50	.177
		---	0.75	ID	1.65-1.80	.065-.071	4.50	.177
		---	0.60	IR	1.75-1.90	.069-.075	4.50	.177
		---	0.50	ID	1.35-1.50	.053-.059	4.50	.177

**DEFINITION OF TERMS**



### CRIMP SPECIFICATION

Terminal Series No.	Bell mouth		Cut-off Tab Maximum		Conductor Brush	
	mm	In.	mm	In.	mm	In.
98915	0.00-0.30	.000-.012	0.30	.012	0.20-0.80	.008-.031
64323	0.00-0.30	.000-.012	0.30	.012	0.20-0.80	.008-.031

Terminal Series No.	Bend up	Bend down	Twist	Roll	Punch Width (Ref)				Seam  Seam shall not be open and no wire allowed out of the crimping area
					Conductor		Insulation		
	Degree Maximum		Degree Maximum		mm	In	mm	In	
98915	2	2	2	2	2.00	.079	2.50	.098	
64323	2	2	2	2	2.00	.079	2.50	.098	

After crimping, the conductor profile should measure the following.

Terminal Series No.	Wire Size		Conductor Crimp Height		Insulation Crimp Height (Ref.)		Pull Force Minimum	
	AWG	mm <sup>2</sup>	mm	In.	mm	In.	N	Lb.
98915	---	1.00	1.27-1.37	.050-.054	2.55-2.70	.100-.106	115.0	25.90
	---	0.75	1.20-1.30	.047-.051	2.35-2.50	.093-.098	90.0	20.25
	---	0.60	1.15-1.25	.045-.049	2.35-2.50	.093-.098	80.0	18.00
	---	0.50	1.10-1.20	.043-.047	2.20-2.35	.087-.093	70.0	15.75
64323	---	1.00	1.27-1.37	.050-.054	2.55-2.70	.100-.106	115.0	25.90
	---	0.75	1.20-1.30	.047-.051	2.35-2.50	.093-.098	90.0	20.25
	---	0.60	1.15-1.25	.045-.049	2.35-2.50	.093-.098	80.0	18.00
	---	0.50	1.10-1.20	.043-.047	2.20-2.35	.087-.093	70.0	15.75

**\* Tool Qualification Notes:**

1. Pull Force should be measured with no influence from the insulation crimp.
2. The above specifications are guidelines to an optimum crimp.

## PARTS LIST

FineAdjust Applicator 63868-8000				
Item	Order No	Engineering No.	Description	Quantity
<b>Perishable Tooling</b>				
	63868-8070	63868-8070	Tool Kit (All "Y" Items)	REF
1	63457-0033	63457-0033	Conductor Punch	1 Y
2	63455-0038	63455-0038	Conductor Anvil	1 Y
3	63454-0058	63454-0058	Insulation Punch	1 Y
4	63456-0038	63456-0038	Insulation Anvil	1 Y
5	63443-0035	63443-0035	Cut-Off Plunger	1 Y
6	63443-0036	63443-0036	Front Plunger Retainer	1 Y
<b>Other Components</b>				
7	11-17-0022	1739-21	Hold Down Spring	1
8	11-18-4083	60707-8	Feed Guide	1
9	11-24-1149	4996-37	Shank	1
10	63443-0009	63443-0009	Scrape Chute	1
11	63443-0024	63443-0024	Key	1
12	63443-0090	63443-0090	Wire Stop	1
13	63443-1715	63443-1715	Height Spacer	1
14	63443-2214	63443-2214	Course Spacer (14.0mm)	1
15	63443-2307	63443-2307	Fine Spacer (3.35mm)	1
16	63443-3160	63443-3160	Front Plunger Striker	1
17	63443-6121	63443-6121	Rear Cover	1
18	63443-7002	63443-7002	Terminal Hold Down	1
19	63700-0539	63700-0539	Cut-off Plunger Spring	1
<b>Frame</b>				
20	63800-4901	63800-4901	Top	1
21	63801-3281	63801-3281	Base	1
22	63801-4650	63801-4650	Track	1
<b>Hardware</b>				
23	N/A	N/A	M3 by 6 Long SHCS	2**
24	N/A	N/A	M3 by 6 Long FHCS	1**
25	N/A	N/A	M4 by 6 Long SHCS	2**
26	N/A	N/A	M4 by 12 Long BHCS	2**
27	N/A	N/A	M4 by 50 Long SHCS	2**
28	N/A	N/A	M5 by 12 Long SHCS	1**
29	N/A	N/A	#5-40 by 3/8" Long SHCS	1**
30	N/A	N/A	#10-32 by 3/8" Long Flat Point SSS	1**
31	N/A	N/A	#10-32 Hex Jam Nut	1**

\*\* Available from an industrial supply company such as MSC (1-800-645-7270).

### Assembly Drawing

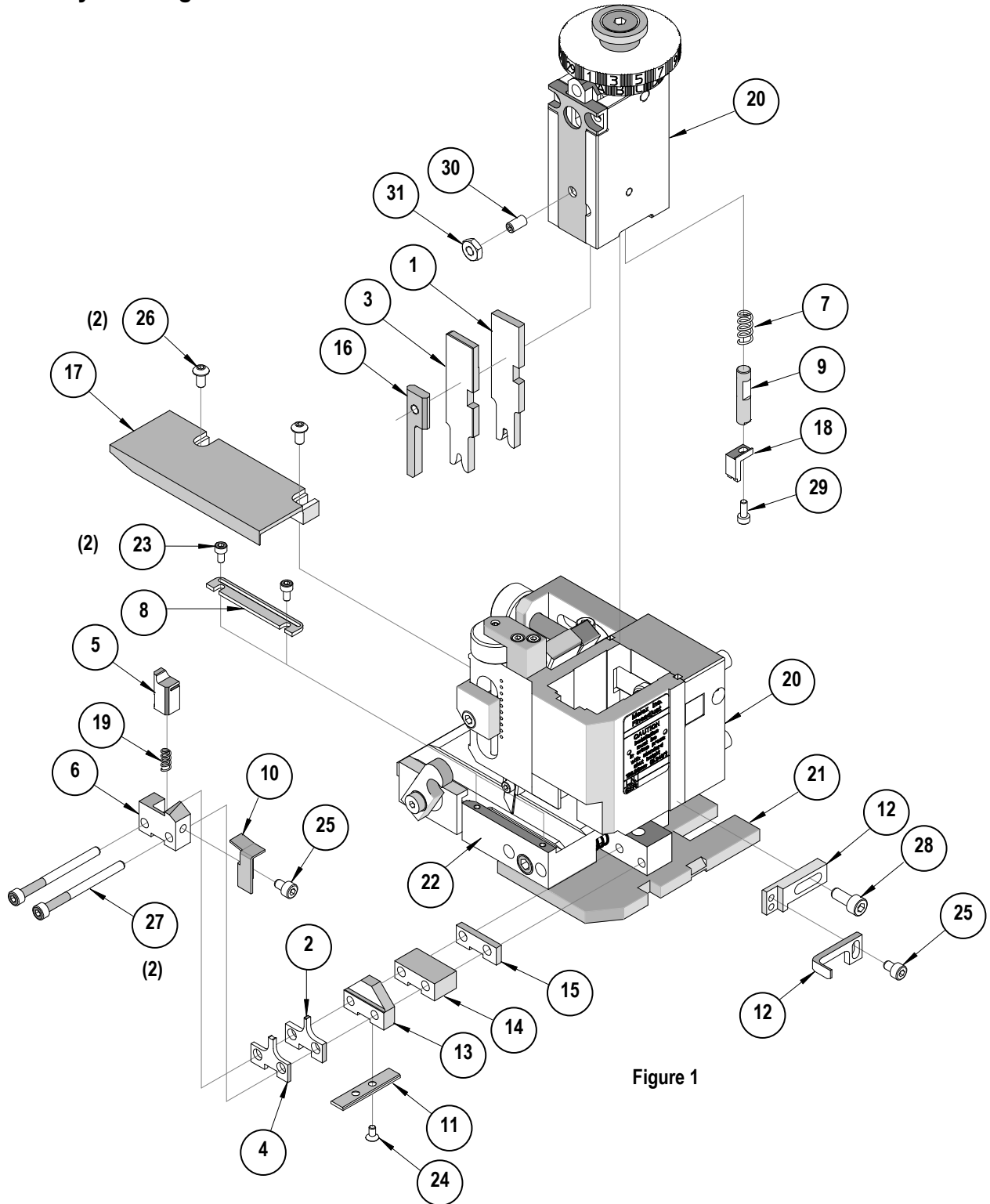


Figure 1

## Optional Applicator Parts:

The following parts are *not included* with this Applicator and may be purchased separately.

### 63901-6106 Cut-Off Plunger Retainer

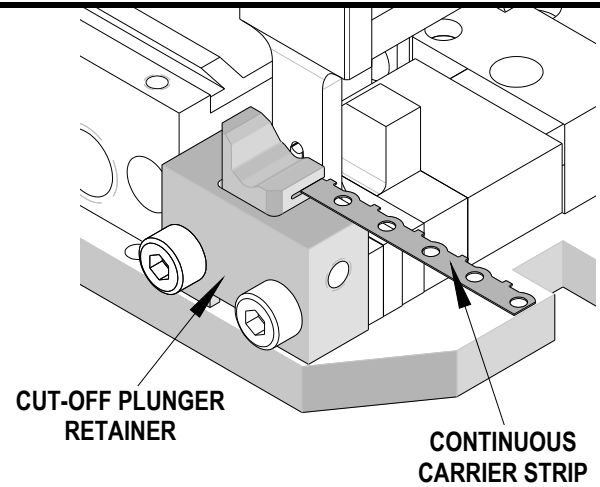
#### For wire processing applications:

It is recommended for fully automatic, high speed operations, where the press and the applicator are mounted to a wire processing machine.

Applicator down time for scrap clean-up may be reduced.

This cut-off plunger retainer leaves the scrap terminal carrier intact.

Not recommended for bench operation, where a continuous scrap strip can tangle or build up inside of the safety guards resulting in jams or tooling damage.



## NOTES

1. Molex recommends an extra perishable tooling kit be maintained at your facility.
2. Verify tooling alignment by manually cycling the press and Applicator before crimping under power. Check that all screws are tight.
3. Slugs, Terminals, Dirt and Oil should be kept clear of work area.
4. Wear safety glasses at all times.
5. For recommended maintenance refer to the FineAdjust Manual.

**CAUTION:** This applicator should only be used in a press with a shut height of 135.8mm (5.346"). Tooling damage could result at a lower setting.

**CAUTION:** To prevent injury never operate this Applicator without the guards supplied with the press or wire-processing machine in place. Reference the press or wire processing manufacturer's instruction manual.

**CAUTION:** Molex crimp specifications are valid only when used with Molex terminals, applicators and tooling.

<http://www.molex.com>



Компания «ЭлектроПласт» предлагает заключение долгосрочных отношений при поставках импортных электронных компонентов на взаимовыгодных условиях!

Наши преимущества:

- Оперативные поставки широкого спектра электронных компонентов отечественного и импортного производства напрямую от производителей и с крупнейших мировых складов;
- Поставка более 17-ти миллионов наименований электронных компонентов;
- Поставка сложных, дефицитных, либо снятых с производства позиций;
- Оперативные сроки поставки под заказ (от 5 рабочих дней);
- Экспресс доставка в любую точку России;
- Техническая поддержка проекта, помощь в подборе аналогов, поставка прототипов;
- Система менеджмента качества сертифицирована по Международному стандарту ISO 9001;
- Лицензия ФСБ на осуществление работ с использованием сведений, составляющих государственную тайну;
- Поставка специализированных компонентов (Xilinx, Altera, Analog Devices, Intersil, Interpoint, Microsemi, Aeroflex, Peregrine, Syfer, Eurofarad, Texas Instrument, Miteq, Cobham, E2V, MA-COM, Hittite, Mini-Circuits, General Dynamics и др.);

Помимо этого, одним из направлений компании «ЭлектроПласт» является направление «Источники питания». Мы предлагаем Вам помощь Конструкторского отдела:

- Подбор оптимального решения, техническое обоснование при выборе компонента;
- Подбор аналогов;
- Консультации по применению компонента;
- Поставка образцов и прототипов;
- Техническая поддержка проекта;
- Защита от снятия компонента с производства.



#### Как с нами связаться

**Телефон:** 8 (812) 309 58 32 (многоканальный)

**Факс:** 8 (812) 320-02-42

**Электронная почта:** [org@eplast1.ru](mailto:org@eplast1.ru)

**Адрес:** 198099, г. Санкт-Петербург, ул. Калинина, дом 2, корпус 4, литера А.