

Features

Power Module

- High power density (L*W*H = 12.19*12.19*3.75)
- Wide operating temperature -40°C to +107°C at full load
- Efficiency up to 99%, no need for heatsinks
- 6-sided shielding
- Thermally and EMI enhanced 25 pin LGA package
- Compact DOSA-compatible footprint
- Low profile

RECOM

DC/DC Converter

RPM-1.0

1 Amp Single Output



EN55032 compliant

Description

The RPM-1.0 series is a 1A non-isolated switching regulator power module with a full set of features including adjustable output, sequencing, soft-start control, on/off control, and power good signals. The ultra-compact module has a profile of only 3.75mm, but with an efficiency of up to 99%, the device can operate at full load in ambient temperatures as high as +107°C without forced air cooling. The package is complete with 6-sided shielding for optimal EMC performance and excellent heat management.

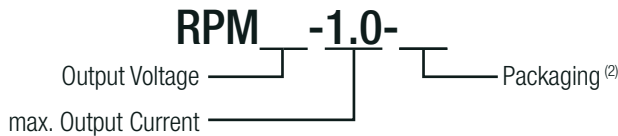
Selection Guide

| Part Number | Input Voltage Range [VDC] | Output Voltage [VDC] | Vout Adjust Range [VDC] | Output Current max. [A] | Efficiency typ. [%] | Max. Capacitive Load ⁽¹⁾ [µF] |
|---------------------------|---------------------------|----------------------|-------------------------|-------------------------|---------------------|--|
| RPM3.3-1.0 ⁽²⁾ | 3 - 17 | 3.3 | 0.9 - 6.0 | 1 | 94 - 99 | 800 |
| RPM5.0-1.0 ⁽²⁾ | 3 - 17 | 5 | 0.9 - 6.0 | 1 | 92 - 99 | 800 |

Notes:

Note1: Max. Cap Load is tested at nominal input and full resistive load

Model Numbering



Notes:

Note2: add suffix "-CT" for tube packaging for more details refer to "PACKAGING INFORMATION" without suffix, standard tape and reel packaging

Specifications (measured @ Ta= 25°C, nom. Vin, full load and after warm-up unless otherwise stated)

| BASIC CHARACTERISTICS | | | | | | |
|--------------------------------|-------------------------------------|-----------------------|------------------|--------------------|------------------|--------------------|
| Parameter | | Condition | Min. | Typ. | Max. | |
| Internal Input Filter | | | | | capacitor | |
| Input Voltage Range | Buck mode | | 3.3Vout 5Vout | 3.35VDC 5.05VDC | 12VDC | 17VDC |
| | 100% duty cycle mode ⁽³⁾ | Vout= Vin - Vdrop | 3.3Vout 5Vout | 3VDC | | 3.35VDC 5.05VDC |
| Absolute Maximum Input Voltage | | | | | | 20VDC |
| Undervoltage Lockout (UVLO) | | DC-DC ON DC-DC OFF | | 2.6VDC 2.8VDC | 2.7VDC 2.9VDC | 2.8VDC 3.0VDC |
| Input Current | | nom. Vin= 12VDC | 3.3Vout 5Vout | | 0.3A 0.45A | |
| Quiescent Current | | | | | 30µA | |
| Internal Power Dissipation | | | 3.3Vout 5Vout | | | 0.27W 0.32W |

continued on next page



Specifications (measured @ Ta= 25°C, nom. Vin, full load and after warm-up unless otherwise stated)

| Parameter | Condition | Min. | Typ. | Max. |
|--|---|--------|---|------------------|
| Output Voltage Trimming ⁽⁴⁾ | | 0.9VDC | | 6VDC |
| Minimum Dropout Voltage (Vdrop) ⁽⁵⁾ | Vin min. = Vdrop + Vout | | 50mV/A | |
| Minimum Load | | 0% | | |
| Start-up Time | without using soft start function/ power up using CTRL function | | 1.6ms 1.5ms | |
| Rise-time | | | 1.4ms | |
| ON/OFF CTRL | DC-DC ON DC-DC OFF | | Open or $0.9V < V_{CTRL} < V_{in}$ Short or $-0.3V < V_{CTRL} < 0.45VDC$ | |
| Input Current of CTRL Pin | DC-DC OFF | | 1.2μA | |
| Standby Current | DC-DC OFF | | 15μA | |
| Internal Operating Frequency | | | 1.25MHz | |
| Output Ripple and Noise ⁽⁶⁾ | 20MHz BW, 800hm @ 100MHz | | 60mVp-p | |
| Absolute Maximum Capacitive Load | below 1 second start up + $C_{ss} = 3700nF$ below 1 second start up without softstart mode | | | 42000μF 800μF |

Notes:

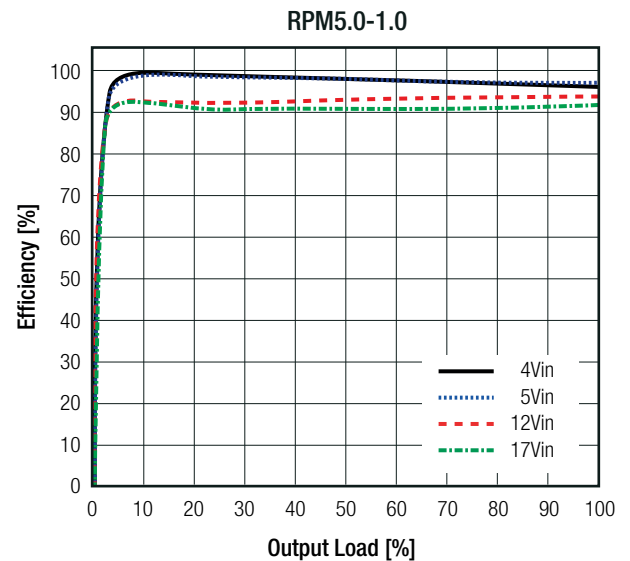
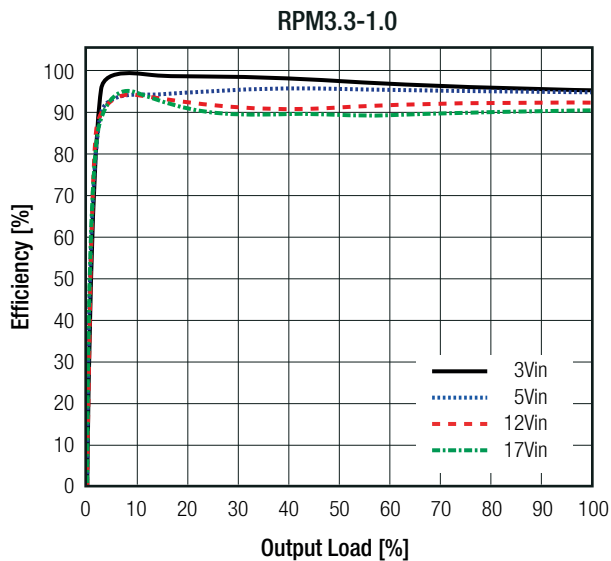
Note3: As input approaches output voltage set point, device enters 100% duty cycle mode. in 100% duty cycle mode, Vout equals Vin minus dropout voltage (see Dropout vs. Load graph)

Note4: For more detailed information, please refer to trim table or calculation on page RPM-3

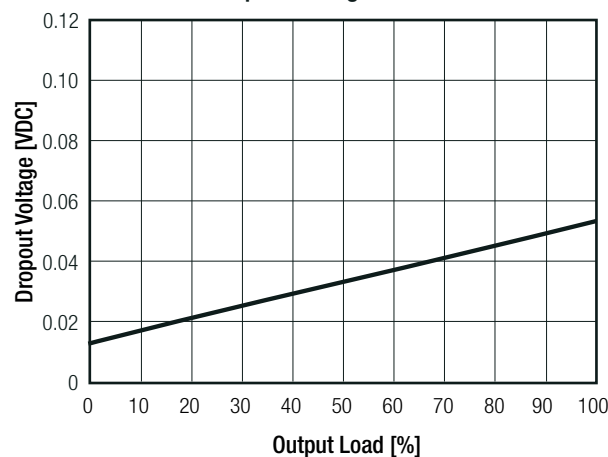
Note5: Required dropout voltage per 1A output current to be within accuracy (see Dropout vs. Load graph)

Note6: Measurements are made with a 22μF MLCC across output (low ESR)

Efficiency vs. Load



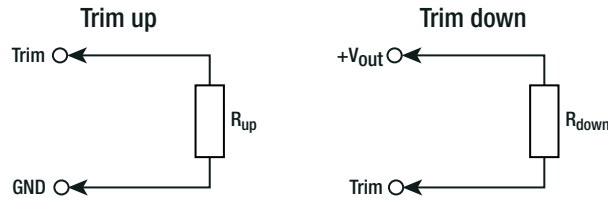
Dropout Voltage vs. Load



Specifications (measured @ Ta= 25°C, nom. Vin, full load and after warm-up unless otherwise stated)

OUTPUT VOLTAGE TRIMMING

The RPM series offers the feature of trimming the output voltage over a range between 0.9V and 6V by using external trim resistors. The values for trim resistors shown in trim tables below are according to standard E96 values; therefore, the specified voltage may slightly vary.



- V_{out_nom} = nominal output voltage [VDC]
- V_{out_set} = trimmed output voltage [VDC]
- V_{ref} = reference voltage [VDC]
- R_{up} = trim up resistor [Ω]
- R_{down} = trim down resistor [Ω]
- R_1, R_2, R_3 = internal resistors [Ω]

| V_{out_nom} | R_1 | R_2 | R_3 | V_{ref} |
|----------------|---------------|-------------|---------------|-----------|
| 3.3VDC | 376k Ω | 1k Ω | 471k Ω | 0.81VDC |
| 5VDC | 344k Ω | | 431k Ω | |

Calculation:

$$R_{up} = \left[\frac{R_1}{V_{out_set} - V_{nom}} \right] - R_2$$

$$R_{down} = \left[\frac{(V_{out_set} - V_{ref}) \times R_3}{V_{out_nom} - V_{out_set}} \right]$$

Practical Example RPM3.3-1.0:

$$R_{up} = \left[\frac{376k}{4.3 - 3.3} \right] - 1k = \underline{\underline{375k\Omega}}$$

$$R_{down} = \left[\frac{(1.8 - 0.81) \times 471k}{3.3 - 1.8} \right] = \underline{\underline{311k\Omega}}$$

R_{up} according to E96 \approx 374k Ω

R_{down} according to E96 \approx 309k Ω

RPM3.3-1.0

Trim up

| | | | | | | | | | | | |
|------------------------|------|------|------|------|------|------|------|------|------|------|--------------|
| $V_{out_set} =$ | 3.5 | 3.7 | 3.9 | 4.1 | 4.3 | 4.5 | 4.7 | 5.0 | 5.5 | 6.0 | [VDC] |
| $R_{up} (E96) \approx$ | 1M91 | 953k | 634k | 475k | 374k | 316k | 267k | 221k | 169k | 137k | [Ω] |

Trim down

| | | | | | | | | | | | |
|--------------------------|------|------|-----|------|------|------|------|------|------|------|--------------|
| $V_{out_set} =$ | 3.0 | 2.7 | 2.5 | 2.2 | 2.0 | 1.8 | 1.5 | 1.2 | 1.0 | 0.9 | [VDC] |
| $R_{down} (E96) \approx$ | 3M40 | 1M47 | 1M | 590k | 432k | 309k | 182k | 86k6 | 39k2 | 17k4 | [Ω] |

RPM5.0-1.0

Trim up

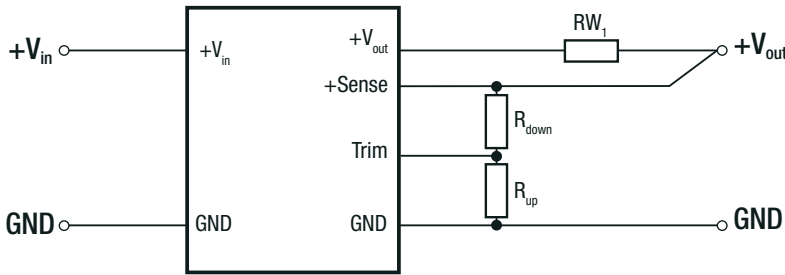
| | | | | | | | | | | | |
|------------------------|------|------|------|------|------|------|------|------|------|------|--------------|
| $V_{out_set} =$ | 5.1 | 5.2 | 5.3 | 5.4 | 5.5 | 5.6 | 5.7 | 5.8 | 5.9 | 6.0 | [VDC] |
| $R_{up} (E96) \approx$ | 3M32 | 1M69 | 1M15 | 866k | 681k | 576k | 487k | 422k | 383k | 340k | [Ω] |

Trim down

| | | | | | | | | | | | |
|--------------------------|------|------|------|------|------|------|------|------|------|------|--------------|
| $V_{out_set} =$ | 4.5 | 4.0 | 3.5 | 3.3 | 2.5 | 1.8 | 1.5 | 1.2 | 1.0 | 0.9 | [VDC] |
| $R_{down} (E96) \approx$ | 3M16 | 1M37 | 768k | 634k | 294k | 133k | 84k5 | 44k2 | 20k5 | 9k53 | [Ω] |

Specifications (measured @ Ta= 25°C, nom. Vin, full load and after warm-up unless otherwise stated)

REMOTE SENSE



The output voltage can be adjusted via the trim and sense functions.

The maximum output voltage from Trim and Sense function combined is 5.5VDC. Derating may be required when using Trim and/or sense functions.

RW_1 ... wire losses +

R_{up} ... trim up resistor

R_{down} ... trim down resistor

REGULATIONS

| Parameter | Condition | Value |
|--------------------|------------------------------------|---|
| Output Accuracy | | ±3.0% max. |
| Line Regulation | low line to high line, full load | 0.25% typ. / ±3.0% max. |
| Load Regulation | 0% to 100% load | 0.5% typ. / 3.0% max. |
| Soft-Start Time | | refer to soft-start capacitor calculation |
| Transient Response | 100% - 10% load step recovery time | 200mV max. 6ms typ. |
| | 25% load step change recovery time | 150mV max. 500µs typ. |

Sequencing Multiple Modules

The SEQ pin can be used to program the rising edge of the output voltage. An internal current source charges a soft-start capacitor which is connected from the sequencing pin to GND. The following equation is used to calculate the soft-start capacitor:

C_{ss} = soft-start capacitor

I_{ss} = sum of all soft-start currents of all sequenced modules

t_{ss} = required soft-start time

n = number of RPMs

$$C_{ss} = \frac{t_{ss} \times I_{ss}}{1.25V} - n \times 3.3nF$$

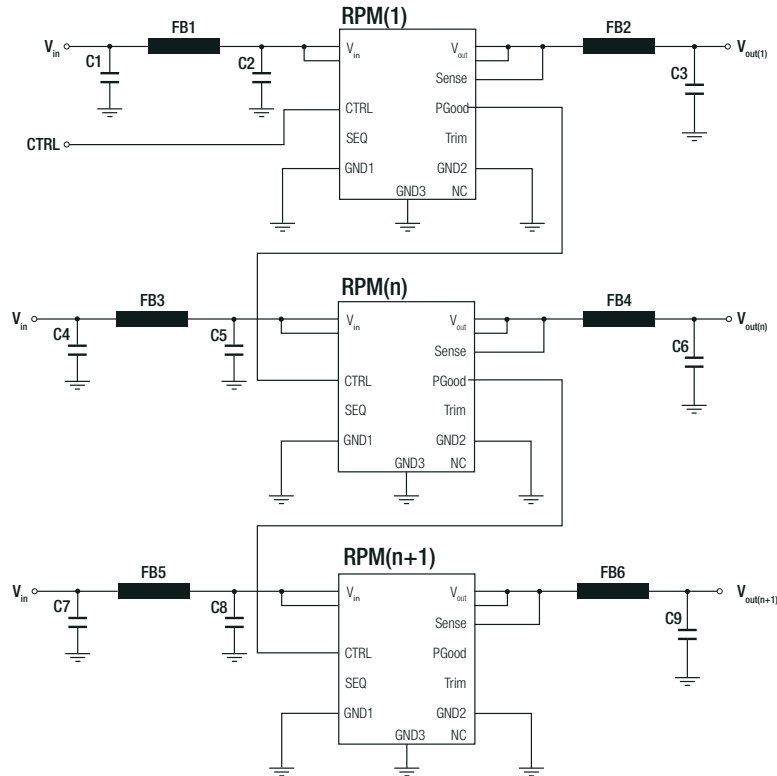
Note: there is a 3.3nF internal soft-start capacitor, and there are different constant current sources in the modules which leads to different preset soft-start times.

| I_{ss} [µA] | | | Preset soft-start time [µs] | | |
|---------------|------|------|-----------------------------|------|------|
| Min. | Typ. | Max. | Min. | Typ. | Max. |
| 4.5 | 5.0 | 5.5 | 750 | 825 | 920 |

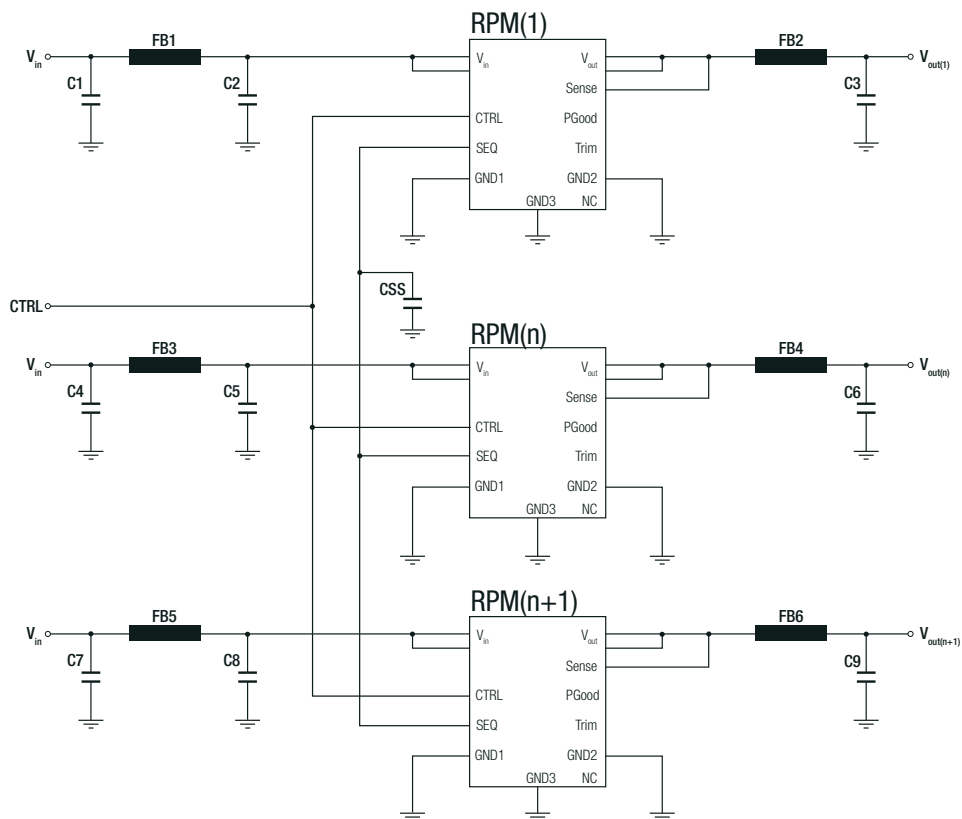
continued on next page

Specifications (measured @ $T_a = 25^\circ\text{C}$, nom. V_{in} , full load and after warm-up unless otherwise stated)

To sequence multiple power module start-up times the power good (PGood) pin and the CTRL pin may be used. In below schematic, the RPM(n) starts after RPM(1) reaches its set output voltage and the power good signal is set to high which then enables RPM(n). After RPM(n) reaches its set output voltage, it enables RPM(n+1).



To sequence multiple converters to start at the same time (set output voltage is reached at the same time), the following schematic may be used:



Specifications (measured @ Ta= 25°C, nom. Vin, full load and after warm-up unless otherwise stated)

PROTECTIONS

| Parameter | Condition | | Value |
|-----------------------------------|--|-----------------------|---|
| Short Circuit Protection (SCP) | 50mΩ | | constant current mode |
| Short Circuit Input Current | without soft-start mode | | 75mA typ. |
| Over Current Protection (OCP) | with soft-start mode | | 120%, pulse by pulse current limitation |
| Over Temperature Protection (OTP) | case temperature (measured on tc point) | DC-DC OFF DC-DC ON | 110°C, auto restart after cool down 100°C typ. |

ENVIRONMENTAL

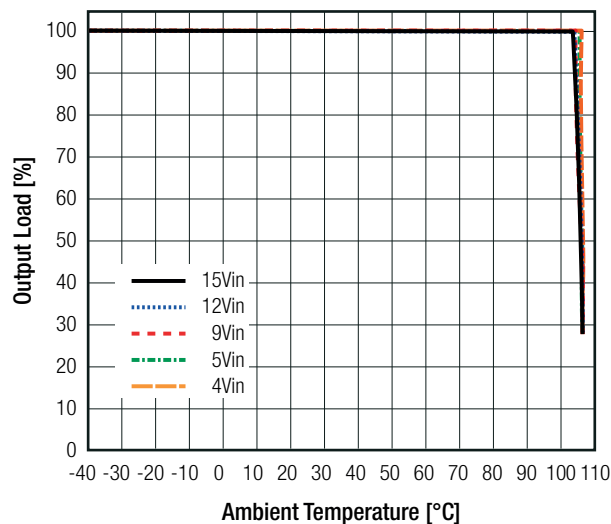
| Parameter | Condition | | Value |
|--|--|----------------|---|
| Operating Temperature Range ⁽⁷⁾ | @ natural convection 0.1m/s (refer to derating graph) | | -40°C to +105°C |
| Maximum Case Temperature | measured on tc point (see dimension drawing) | | +110°C |
| Temperature Coefficient | @ +65°C Tamb | | 0.02%/K |
| Thermal Impedance ⁽⁷⁾ | 0.1m/s, horizontal (Tcase to Tamb) | | 8K/W |
| Operating Altitude | with derating @ natural convection 0.1m/s (refer to altitude vs. load graph) | | 5000m |
| Operating Humidity | non-condensing | | 5% - 95% RH max. |
| Shock | MIL-STD-810G, Method 516.6, Procedure I | | 40g, 11ms, saw-tooth, 3 shocks ± per axis 3 axis; unit is operating |
| | MIL-STD-810G, Method 516.6, Procedure IV | | drop on 50mm plywood on concrete 26 times from 1 meter |
| Temperature Cycling | MIL-STD-883F, Method 1010, Condition A | | powered -50°C to +85°C, 300 cycles |
| Random Vibration | MIL-STD-810G, Method 514.6, Procedure I, Category 24 | | Category 24 - Figure 514.6E-1 - power spectral density = 0.04g ² /Hz at 20Hz –1000Hz; -6dB/octave at 1000Hz – 2000Hz; 60 minutes x 3 axis; unit is operating during tests |
| MTBF | according to MIL-HDBK-217F, G.B. @ full load | +25°C +85°C | 2900 x 10 ³ hours 950 x 10 ³ hours |

Notes:

Note7: tested with a eurocard 160x100mm 70µm copper, 4 layer

Derating Graph ⁽⁷⁾

(@ chamber and natural convection 0.1m/s)



Specifications (measured @ Ta= 25°C, nom. Vin, full load and after warm-up unless otherwise stated)

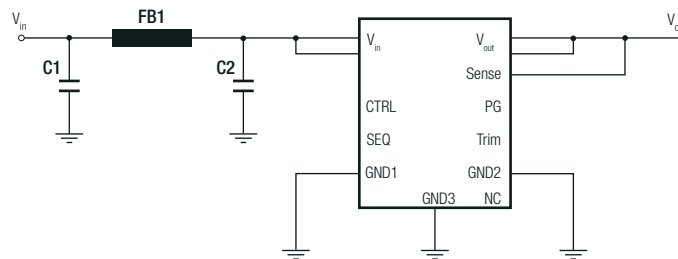
SAFETY AND CERTIFICATIONS

| Certificate Type (Safety) | Report / File Number | Standard |
|--|----------------------|------------------------------|
| Audio/video, information and communication technology equipment. Safety requirements | designed to meet | EN62368-1 |
| RoHS 2+ | | RoHS 2011/65/EU + AM2015/863 |

EMC Compliance

| EMC Compliance | Condition | Standard / Criterion |
|---|---|------------------------|
| Electromagnetic compatibility of multimedia equipment - emission requirements | with external components (see filter suggestions below) | EN55032, Class A and B |

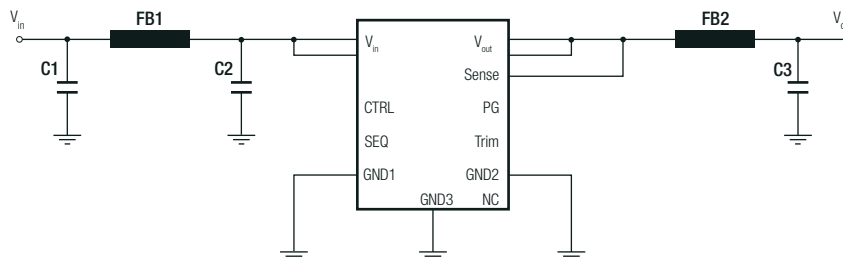
EMC filtering suggestion according to EN55032



Component List Class A

| C1 | C2 ⁽⁸⁾ | FB1 |
|--------------|-------------------|----------------------|
| 10µF 25V X7R | 10µF 25V X7R | WE ref: 742792510 |

EMC filtering suggestion according to EN55032



Component List Class B

| C1 | C2 ⁽⁸⁾ | FB1 | FB2 | C3 |
|--------------|-------------------|----------------------|--------------------|--------------|
| 10µF 25V X7R | 10µF 25V X7R | WE ref: 742792510 | WE ref: 7427932 | 22µF 10V 7XR |

Notes:

Note8: C2 is only required below 10V input voltage

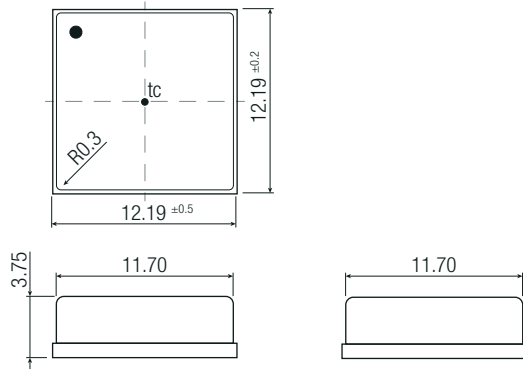
DIMENSION AND PHYSICAL CHARACTERISTICS

| Parameter | Type | Value |
|-------------------|-------------|--------------------------------------|
| Material | case | metal |
| | PCB | FR4, (UL94 V-0) |
| | solder pads | copper with electrolytic nickel-gold |
| Dimension (LxWxH) | | 12.19 x 12.19 x 3.75mm |
| Weight | | 1.1g typ. |

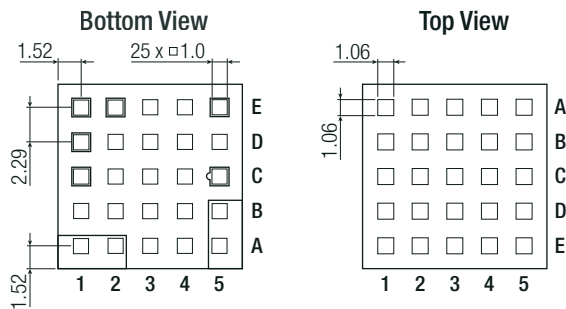
continued on next page

Specifications (measured @ Ta= 25°C, nom. Vin, full load and after warm-up unless otherwise stated)

Dimension Drawing (mm)



Recommended Footprint Details

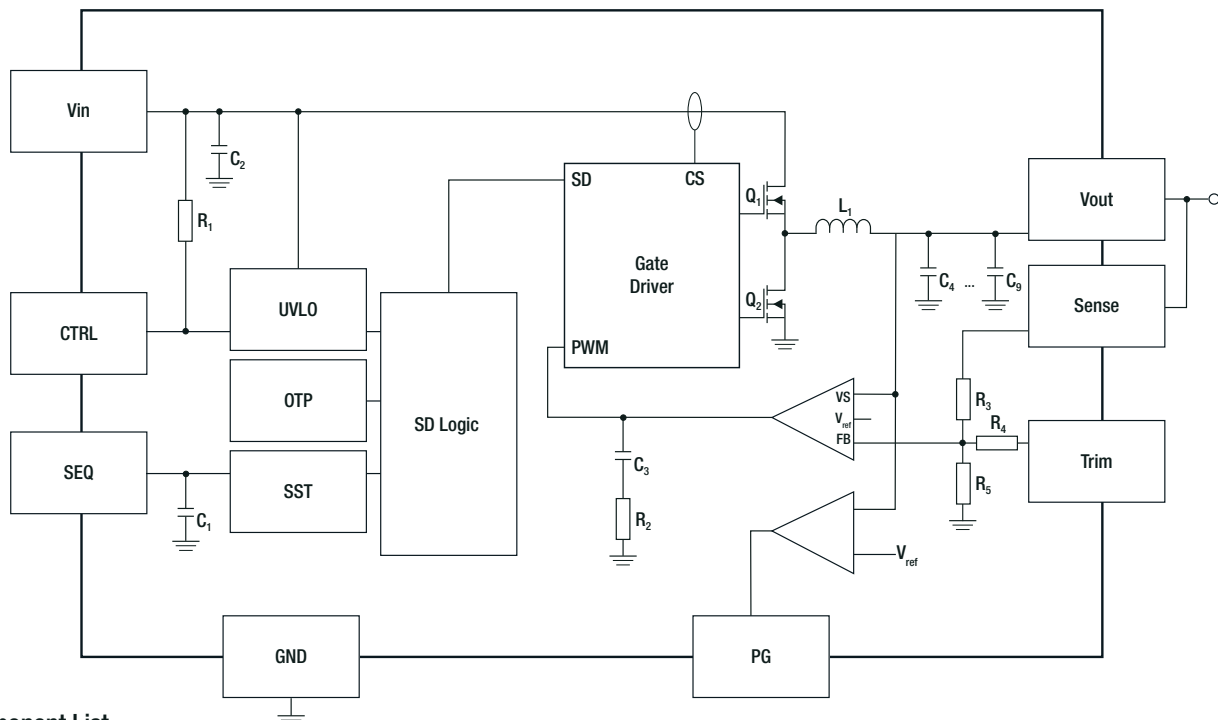


Pinning information

| Pad # | Function | Description |
|--|----------|--|
| A1, A2 | Vin | Positive input voltage with respect to GND. Connect to a Vin plane for enhanced thermal performance |
| C1 | CTRL | Active High: pull to GND to disable the device. Pull high or leave open to enable the device |
| A5, B5 | Vout | Positive output voltage. Connect to a Vout plane for enhanced thermal performance |
| C5 | Sense | Connect this pad to the load or directly to Vout. This pad must not be left floating |
| E5 | Trim | Used to set the output voltage between 0.9V and 6V |
| E2 | NC | Not connected |
| E1 | SEQ | Used to sequence multiple converters or to set the startup time. Float if not used |
| D1 | PGood | Output power good. High = Vout at set level, low = Vout below nominal regulation. Maximum sink current is 2mA. It has a high impedance output (100kΩ connected to Vout). Float if not used |
| A3, A4, B1, B2, B3, B4, C2, C3, C4, D2, D3, D4, D5, E3, E4 | GND | Negative input voltage. Connect to GND plane(s) for enhanced thermal performance |

tc = case temperature measuring point
 Pad tolerance= ±0.05mm
 Case tolerance= ±0.25mm

BLOCKDIAGRAM



Component List

| | C1 | C2 | L1 | C4 - C9 | R3 | R4 | R5 |
|---------|-------|-------|-------|---------------------------|-------|-----|-------|
| 3.3Vout | 3.3nF | 4.7μF | 2.2μH | 10μF 6pcs. in parallel | 470kΩ | 1kΩ | 150kΩ |
| 5Vout | | | | | 430kΩ | | 82kΩ |

Specifications (measured @ Ta= 25°C, nom. Vin, full load and after warm-up unless otherwise stated)

| PACKAGING INFORMATION | | |
|-----------------------------|------------------------|------------------------|
| Parameter | Type | Value |
| Packaging Dimension (LxWxH) | tape and reel | 330.2 x 330.2 x 30.4mm |
| | tape and reel (carton) | 365.0 x 365.0 x 55.0mm |
| | tube ("-CT") | 530.0 x 30.3 x 19.2mm |
| Packaging Quantity | tape and reel | 500pcs |
| | tube ("-CT") | 30pcs |
| Tape Width | | 24mm |
| Storage Temperature Range | | -55°C to +125°C |
| Storage Humidity | non-condensing | 95% RH max. |

The product information and specifications may be subject to changes even without prior written notice. The product has been designed for various applications; its suitability lies in the responsibility of each customer. The products are not authorized for use in safety-critical applications without RECOM's explicit written consent. A safety-critical application is an application where a failure may reasonably be expected to endanger or cause loss of life, inflict bodily harm or damage property. The applicant shall indemnify and hold harmless RECOM, its affiliated companies and its representatives against any damage claims in connection with the unauthorized use of RECOM products in such safety-critical applications.



Компания «ЭлектроПласт» предлагает заключение долгосрочных отношений при поставках импортных электронных компонентов на взаимовыгодных условиях!

Наши преимущества:

- Оперативные поставки широкого спектра электронных компонентов отечественного и импортного производства напрямую от производителей и с крупнейших мировых складов;
- Поставка более 17-ти миллионов наименований электронных компонентов;
- Поставка сложных, дефицитных, либо снятых с производства позиций;
- Оперативные сроки поставки под заказ (от 5 рабочих дней);
- Экспресс доставка в любую точку России;
- Техническая поддержка проекта, помощь в подборе аналогов, поставка прототипов;
- Система менеджмента качества сертифицирована по Международному стандарту ISO 9001;
- Лицензия ФСБ на осуществление работ с использованием сведений, составляющих государственную тайну;
- Поставка специализированных компонентов (Xilinx, Altera, Analog Devices, Intersil, Interpoint, Microsemi, Aeroflex, Peregrine, Syfer, Eurofarad, Texas Instrument, Miteq, Cobham, E2V, MA-COM, Hittite, Mini-Circuits, General Dynamics и др.);

Помимо этого, одним из направлений компании «ЭлектроПласт» является направление «Источники питания». Мы предлагаем Вам помощь Конструкторского отдела:

- Подбор оптимального решения, техническое обоснование при выборе компонента;
- Подбор аналогов;
- Консультации по применению компонента;
- Поставка образцов и прототипов;
- Техническая поддержка проекта;
- Защита от снятия компонента с производства.



Как с нами связаться

Телефон: 8 (812) 309 58 32 (многоканальный)

Факс: 8 (812) 320-02-42

Электронная почта: org@eplast1.ru

Адрес: 198099, г. Санкт-Петербург, ул. Калинина, дом 2, корпус 4, литера А.