



Ferrites and accessories

ELP 32/6/20 with I 32/3/20

Cores and accessories (with and without clamp recess)

Series/Type: **B66287G, B65808, B66287K, B66288, B66457G, B66457K**

Date: **May 2017**

© EPCOS AG 2017. Reproduction, publication and dissemination of this publication, enclosures hereto and the information contained therein without EPCOS' prior express consent is prohibited.

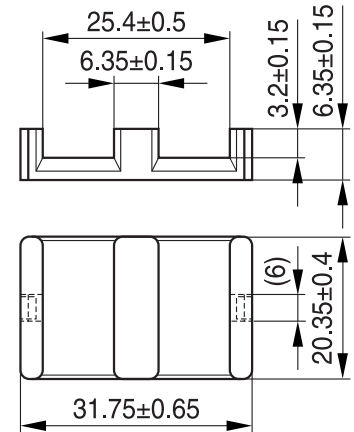
EPCOS AG is a TDK Group Company.

ELP 32/6/20
Core (with clamp recess)
B66287
Core set EELP 32
Combination: ELP 32/6/20 with ELP 32/6/20

- To IEC 62317-9
- Delivery mode: single units

Magnetic characteristics (per set)

$\Sigma l/A = 0.32 \text{ mm}^{-1}$
 $l_e = 41.4 \text{ mm}$
 $A_e = 130 \text{ mm}^2$
 $A_{\min} = 128 \text{ mm}^2$
 $V_e = 5390 \text{ mm}^3$

Approx. weight 28 g/set
ELP 32/6/20


FEK0520-S

Ungapped

| Material | A_L value nH | μ_e | B_S^* mT | P_V W/set | Ordering code (per piece) |
|----------|-------------------|---------|---------------|---|------------------------------|
| N49 | 3900 ±25% | 990 | 250 | < 1.40 (50 mT, 500 kHz, 100 °C) | B66287G0000X149 |
| N92 | 4300 ±25% | 1090 | 350 | < 3.70 (200 mT, 100 kHz, 100 °C) | B66287G0000X192 |
| N87 | 5700 ±25% | 1450 | 300 | < 3.40 (200 mT, 100 kHz, 100 °C) | B66287G0000X187 |
| N97 | 5700 ±25% | 1440 | 310 | < 2.60 (200 mT, 100 kHz, 100 °C) | B66287G0000X197 |
| N95 | 6900 ±25% | 1740 | 310 | < 3.40 (200 mT, 100 kHz, 25 °C) < 3.10 (200 mT, 100 kHz, 100 °C) | B66287G0000X195 |

 * $H = 250 \text{ A/m}$; $f = 10 \text{ kHz}$; $T = 100 \text{ °C}$
Gapped (A_L values/air gaps examples)

| Material | g mm | A_L value approx. nH | μ_e | Ordering code |
|----------|------------|------------------------------|---------|-----------------|
| N87 | 0.26 ±0.02 | 625 | 155 | B66287G0260X187 |
| | 0.40 ±0.02 | 440 | 112 | B66287G0400X187 |

 Other A_L values/air gaps and materials available on request – see Processing remarks on page 8.

Calculation factors (for formulas, see “E cores: general information”)

EELP 32:

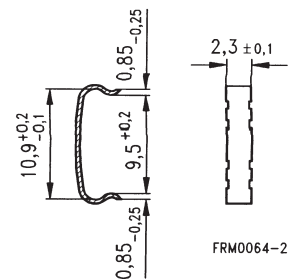
| Material | Relationship between air gap – A_L value | | Calculation of saturation current | | | |
|----------|--|------------|-----------------------------------|------------|-------------|-------------|
| | K1 (25 °C) | K2 (25 °C) | K3 (25 °C) | K4 (25 °C) | K3 (100 °C) | K4 (100 °C) |
| N87 | 208 | -0.819 | 367 | -0.796 | 322 | -0.873 |

Validity range: K1, K2: 0.10 mm < s < 1.50 mm
 K3, K4: 150 nH < A_L < 1000 nH

Clamp

Ordering code per piece, 2 pieces required

Ordering code: B65808J2204X000



ELP 32/6/20 with I 32/3/20

Core (with clamp recess)

B66287

Core set EILP 32

Combination:

ELP 32/6/20 with I 32/3/20

- To IEC 62317-9
- Delivery mode: single units

Magnetic characteristics (per set)

$\Sigma l/A = 0.27 \text{ mm}^{-1}$

$l_e = 35.1 \text{ mm}$

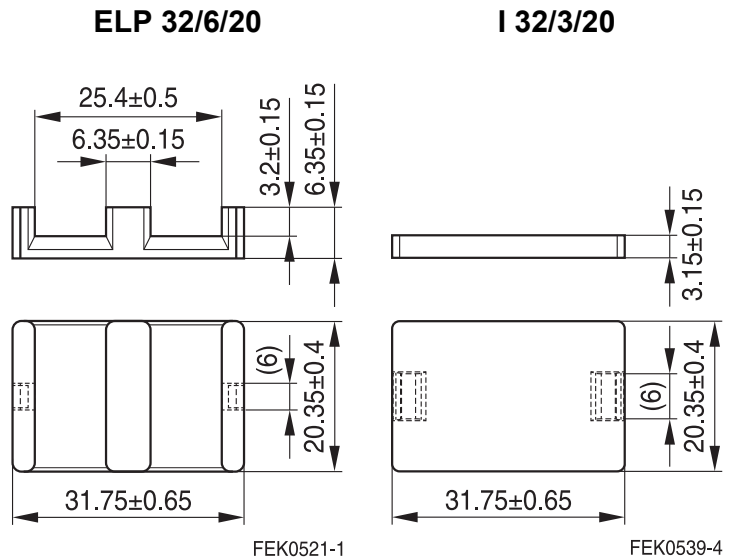
$A_e = 130 \text{ mm}^2$

$A_{\min} = 128 \text{ mm}^2$

$V_e = 4560 \text{ mm}^3$

Approx. weight 24 g/set

Ungapped



| Material | A_L value nH | μ_e | B_S^* mT | P_V W/set | Ordering code (per piece) |
|----------|--------------------|---------|---------------|---|--|
| N49 | 4400 $\pm 25\%$ | 950 | 250 | < 1.20 (50 mT, 500 kHz, 100 °C) | B66287G0000X149 (ELP core) B66287K0000X149 (I core)** |
| N92 | 4800 $\pm 25\%$ | 1031 | 350 | < 3.20 (200 mT, 100 kHz, 100 °C) | B66287G0000X192 (ELP core) B66287K0000X192 (I core)** |
| N87 | 6300 $\pm 25\%$ | 1350 | 300 | < 2.90 (200 mT, 100 kHz, 100 °C) | B66287G0000X187 (ELP core) B66287K0000X187 (I core)** |
| N97 | 6300 $\pm 25\%$ | 1350 | 310 | < 2.20 (200 mT, 100 kHz, 100 °C) | B66287G0000X197 (ELP core) B66287K0000X197 (I core)** |
| N95 | 7550 $\pm 25\%$ | 1618 | 310 | < 2.90 (200 mT, 100 kHz, 25 °C) < 2.60 (200 mT, 100 kHz, 100 °C) | B66287G0000X195 (ELP core) B66287K0000X195 (I core)** |

* $H = 250 \text{ A/m}$; $f = 10 \text{ kHz}$; $T = 100 \text{ °C}$

** Plate-type tool

Other A_L values/air gaps and materials available on request – see Processing remarks on page 8.

ELP 32/6/20 with I 32/3/20

Core and accessories (with clamp recess)

B66287, B66288

Calculation factors (for formulas, see “E cores: general information”)

EILP 32:

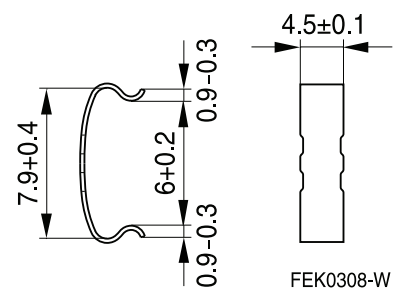
| Material | Relationship between air gap – A_L value | | Calculation of saturation current | | | |
|----------|--|------------|-----------------------------------|------------|-------------|-------------|
| | K1 (25 °C) | K2 (25 °C) | K3 (25 °C) | K4 (25 °C) | K3 (100 °C) | K4 (100 °C) |
| N87 | 234 | -0.777 | 379 | -0.796 | 329 | -0.873 |

Validity range: K1, K2: 0.10 mm < s < 1.50 mm
 K3, K4: 150 nH < A_L < 1000 nH

Clamp

Ordering code per piece, 2 pieces required

Ordering code: B66288F2204X000

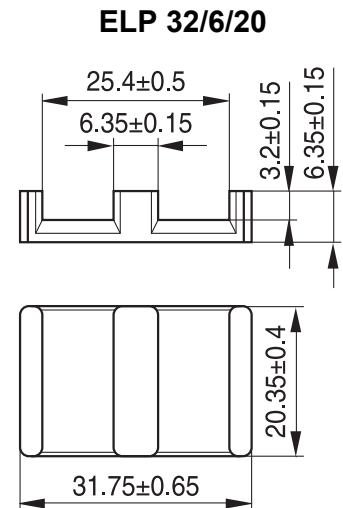


ELP 32/6/20
Core (without clamp recess)
B66457
Core set EELP 32
Combination: ELP 32/6/20 with ELP 32/6/20

- To IEC 62317-9
- Delivery mode: single units

Magnetic characteristics (per set)

$\Sigma l/A = 0.32 \text{ mm}^{-1}$
 $l_e = 41.4 \text{ mm}$
 $A_e = 130 \text{ mm}^2$
 $A_{\min} = 128 \text{ mm}^2$
 $V_e = 5390 \text{ mm}^3$

Approx. weight 28 g/set


FEK0403-W

Ungapped

| Material | A_L value nH | μ_e | B_S^* mT | P_V W/set | Ordering code (per piece) |
|----------|-------------------|---------|---------------|---|------------------------------|
| N49 | 3900 ±25% | 990 | 250 | < 1.40 (50 mT, 500 kHz, 100 °C) | B66457G0000X149 |
| N92 | 4300 ±25% | 1090 | 350 | < 3.70 (200 mT, 100 kHz, 100 °C) | B66457G0000X192 |
| N87 | 5700 ±25% | 1450 | 300 | < 3.40 (200 mT, 100 kHz, 100 °C) | B66457G0000X187 |
| N97 | 5700 ±25% | 1440 | 310 | < 2.60 (200 mT, 100 kHz, 100 °C) | B66457G0000X197 |
| N95 | 6900 ±25% | 1740 | 310 | < 3.40 (200 mT, 100 kHz, 25 °C) < 3.10 (200 mT, 100 kHz, 100 °C) | B66457G0000X195 |

 * $H = 250 \text{ A/m}$; $f = 10 \text{ kHz}$; $T = 100 \text{ °C}$

 Other A_L values/air gaps and materials available on request – see Processing remarks on page 8.

Calculation factors (for formulas, see “E cores: general information”)
EELP 32:

| Material | Relationship between air gap – A_L value | | Calculation of saturation current | | | |
|----------|---|------------|-----------------------------------|------------|-------------|-------------|
| | K1 (25 °C) | K2 (25 °C) | K3 (25 °C) | K4 (25 °C) | K3 (100 °C) | K4 (100 °C) |
| N87 | 208 | −0.819 | 367 | −0.796 | 322 | −0.873 |

Validity range: K1, K2: $0.10 \text{ mm} < s < 1.50 \text{ mm}$
 K3, K4: $150 \text{ nH} < A_L < 1000 \text{ nH}$

ELP 32/6/20 with I 32/3/20
Core (without clamp recess)
B66457
Core set EILP 32
Combination:
ELP 32/6/20 with I 32/3/20

- To IEC 62317-9
- Delivery mode: single units

Magnetic characteristics (per set)

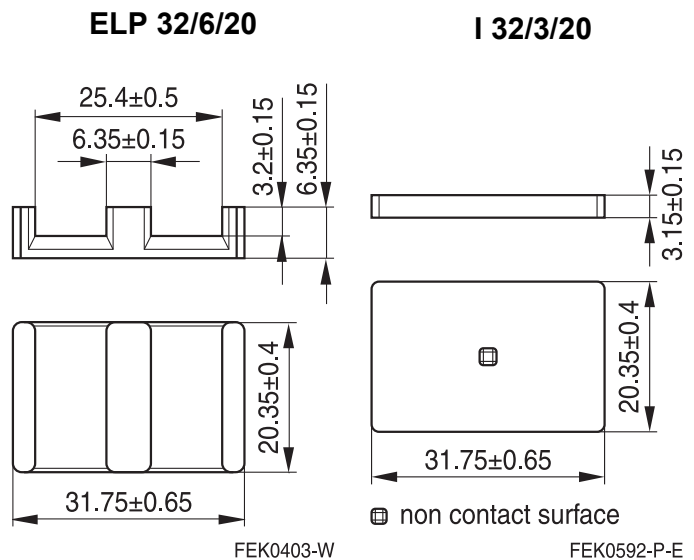
$$\Sigma l/A = 0.27 \text{ mm}^{-1}$$

$$l_e = 35.1 \text{ mm}$$

$$A_e = 130 \text{ mm}^2$$

$$A_{\min} = 128 \text{ mm}^2$$

$$V_e = 4560 \text{ mm}^3$$

Approx. weight 24 g/set

Ungapped

| Material | A_L value nH | μ_e | B_S^* mT | P_V W/set | Ordering code (per piece) |
|----------|-------------------|---------|---------------|---|--|
| N49 | 4400 ±25% | 950 | 250 | < 1.20 (50 mT, 500 kHz, 100 °C) | B66457G0000X149 (ELP core) B66457K0000X149 (I core)** |
| N92 | 4800 ±25% | 1031 | 350 | < 3.20 (200 mT, 100 kHz, 100 °C) | B66457G0000X192 (ELP core) B66457K0000X192 (I core)** |
| N87 | 6300 ±25% | 1350 | 300 | < 2.90 (200 mT, 100 kHz, 100 °C) | B66457G0000X187 (ELP core) B66457K0000X187 (I core)** |
| N97 | 6300 ±25% | 1350 | 310 | < 2.20 (200 mT, 100 kHz, 100 °C) | B66457G0000X197 (ELP core) B66457K0000X197 (I core)** |
| N95 | 7550 ±25% | 1618 | 310 | < 2.90 (200 mT, 100 kHz, 25 °C) < 2.60 (200 mT, 100 kHz, 100 °C) | B66457G0000X195 (ELP core) B66457K0000X195 (I core)** |

* $H = 250 \text{ A/m}$; $f = 10 \text{ kHz}$; $T = 100 \text{ °C}$

** Plate-type tool

Other A_L values/air gaps and materials available on request – see Processing remarks on page 8.

Calculation factors (for formulas, see “E cores: general information”)
EILP 32:

| Material | Relationship between air gap – A_L value | | Calculation of saturation current | | | |
|----------|---|------------|-----------------------------------|------------|-------------|-------------|
| | K1 (25 °C) | K2 (25 °C) | K3 (25 °C) | K4 (25 °C) | K3 (100 °C) | K4 (100 °C) |
| N87 | 234 | -0.777 | 379 | -0.796 | 329 | -0.873 |

Validity range: K1, K2: $0.10 \text{ mm} < s < 1.50 \text{ mm}$
K3, K4: $150 \text{ nH} < A_L < 1000 \text{ nH}$

Ferrites and accessories

Cautions and warnings

Mechanical stress and mounting

Ferrite cores have to meet mechanical requirements during assembling and for a growing number of applications. Since ferrites are ceramic materials one has to be aware of the special behavior under mechanical load.

As valid for any ceramic material, ferrite cores are brittle and sensitive to any shock, fast temperature changing or tensile load. Especially high cooling rates under ultrasonic cleaning and high static or cyclic loads can cause cracks or failure of the ferrite cores.

For detailed information see data book, chapter “*General - Definitions, 8.1*”.

Effects of core combination on A_L value

Stresses in the core affect not only the mechanical but also the magnetic properties. It is apparent that the initial permeability is dependent on the stress state of the core. The higher the stresses are in the core, the lower is the value for the initial permeability. Thus the embedding medium should have the greatest possible elasticity.

For detailed information see data book, chapter “*General - Definitions, 8.1*”.

Heating up

Ferrites can run hot during operation at higher flux densities and higher frequencies.

NiZn-materials

The magnetic properties of NiZn-materials can change irreversible in high magnetic fields.

Ferrite Accessories

EPCOS ferrite accessories have been designed and evaluated only in combination with EPCOS ferrite cores. EPCOS explicitly points out that EPCOS ferrite accessories or EPCOS ferrite cores may not be compatible with those of other manufacturers. Any such combination requires prior testing by the customer and will be at the customer's own risk.

EPCOS assumes no warranty or reliability for the combination of EPCOS ferrite accessories with cores and other accessories from any other manufacturer.

Processing remarks

The start of the winding process should be soft. Else the flanges may be destroyed.

- Too strong winding forces may blast the flanges or squeeze the tube that the cores can not be mounted any more.
- Too long soldering time at high temperature (>300 °C) may effect coplanarity or pin arrangement.
- Not following the processing notes for soldering of the J-leg terminals may cause solderability problems at the transformer because of pollution with Sn oxyde of the tin bath or burned insulation of the wire. For detailed information see chapter “*Processing notes*”, section 2.2.
- The dimensions of the hole arrangement have fixed values and should be understood as a recommendation for drilling the printed circuit board. For dimensioning the pins, the group of holes can only be seen under certain conditions, as they fit into the given hole arrangement. To avoid problems when mounting the transformer, the manufacturing tolerances for positioning the customers' drilling process must be considered by increasing the hole diameter.

Display of ordering codes for EPCOS products

The ordering code for one and the same product can be represented differently in data sheets, data books, other publications and the website of EPCOS, or in order-related documents such as shipping notes, order confirmations and product labels. **The varying representations of the ordering codes are due to different processes employed and do not affect the specifications of the respective products.** Detailed information can be found on the Internet under www.epcos.com/orderingcodes.

Ferrites and accessories

Symbols and terms

| Symbol | Meaning | Unit |
|---------------------|---|------------------------------|
| A | Cross section of coil | mm ² |
| A _e | Effective magnetic cross section | mm ² |
| A _L | Inductance factor; $A_L = L/N^2$ | nH |
| A _{L1} | Minimum inductance at defined high saturation ($\hat{=} \mu_a$) | nH |
| A _{min} | Minimum core cross section | mm ² |
| A _N | Winding cross section | mm ² |
| A _R | Resistance factor; $A_R = R_{Cu}/N^2$ | $\mu\Omega = 10^{-6} \Omega$ |
| B | RMS value of magnetic flux density | Vs/m ² , mT |
| ΔB | Flux density deviation | Vs/m ² , mT |
| \hat{B} | Peak value of magnetic flux density | Vs/m ² , mT |
| $\Delta \hat{B}$ | Peak value of flux density deviation | Vs/m ² , mT |
| B _{DC} | DC magnetic flux density | Vs/m ² , mT |
| B _R | Remanent flux density | Vs/m ² , mT |
| B _S | Saturation magnetization | Vs/m ² , mT |
| C ₀ | Winding capacitance | F = As/V |
| CDF | Core distortion factor | mm ^{-4.5} |
| DF | Relative disaccommodation coefficient $DF = d/\mu_i$ | |
| d | Disaccommodation coefficient | |
| E _a | Activation energy | J |
| f | Frequency | s ⁻¹ , Hz |
| f _{cutoff} | Cut-off frequency | s ⁻¹ , Hz |
| f _{max} | Upper frequency limit | s ⁻¹ , Hz |
| f _{min} | Lower frequency limit | s ⁻¹ , Hz |
| f _r | Resonance frequency | s ⁻¹ , Hz |
| f _{Cu} | Copper filling factor | |
| g | Air gap | mm |
| H | RMS value of magnetic field strength | A/m |
| \hat{H} | Peak value of magnetic field strength | A/m |
| H _{DC} | DC field strength | A/m |
| H _c | Coercive field strength | A/m |
| h | Hysteresis coefficient of material | 10 ⁻⁶ cm/A |
| h/μ_i^2 | Relative hysteresis coefficient | 10 ⁻⁶ cm/A |
| I | RMS value of current | A |
| I _{DC} | Direct current | A |
| \hat{I} | Peak value of current | A |
| J | Polarization | Vs/m ² |
| k | Boltzmann constant | J/K |
| k ₃ | Third harmonic distortion | |
| k _{3c} | Circuit third harmonic distortion | |
| L | Inductance | H = Vs/A |

Ferrites and accessories
Symbols and terms

| Symbol | Meaning | Unit |
|---------------------|--|--------------------|
| $\Delta L/L$ | Relative inductance change | H |
| L_0 | Inductance of coil without core | H |
| L_H | Main inductance | H |
| L_p | Parallel inductance | H |
| L_{rev} | Reversible inductance | H |
| L_s | Series inductance | H |
| l_e | Effective magnetic path length | mm |
| l_N | Average length of turn | mm |
| N | Number of turns | |
| P_{Cu} | Copper (winding) losses | W |
| P_{trans} | Transferrable power | W |
| P_V | Relative core losses | mW/g |
| PF | Performance factor | |
| Q | Quality factor ($Q = \omega L/R_s = 1/\tan \delta_L$) | |
| R | Resistance | Ω |
| R_{Cu} | Copper (winding) resistance ($f = 0$) | Ω |
| R_h | Hysteresis loss resistance of a core | Ω |
| ΔR_h | R_h change | Ω |
| R_i | Internal resistance | Ω |
| R_p | Parallel loss resistance of a core | Ω |
| R_s | Series loss resistance of a core | Ω |
| R_{th} | Thermal resistance | K/W |
| R_V | Effective loss resistance of a core | Ω |
| s | Total air gap | mm |
| T | Temperature | $^{\circ}\text{C}$ |
| ΔT | Temperature difference | K |
| T_C | Curie temperature | $^{\circ}\text{C}$ |
| t | Time | s |
| t_v | Pulse duty factor | |
| $\tan \delta$ | Loss factor | |
| $\tan \delta_L$ | Loss factor of coil | |
| $\tan \delta_r$ | (Residual) loss factor at $H \rightarrow 0$ | |
| $\tan \delta_e$ | Relative loss factor | |
| $\tan \delta_h$ | Hysteresis loss factor | |
| $\tan \delta/\mu_i$ | Relative loss factor of material at $H \rightarrow 0$ | |
| U | RMS value of voltage | V |
| \hat{U} | Peak value of voltage | V |
| V_e | Effective magnetic volume | mm^3 |
| Z | Complex impedance | Ω |
| Z_n | Normalized impedance $ Z _n = Z /N^2 \times \epsilon (l_e/A_e)$ | Ω/mm |

Ferrites and accessories

Symbols and terms

| Symbol | Meaning | Unit |
|--------------|--|-----------------------------------|
| α | Temperature coefficient (TK) | 1/K |
| α_F | Relative temperature coefficient of material | 1/K |
| α_e | Temperature coefficient of effective permeability | 1/K |
| ϵ_r | Relative permittivity | |
| Φ | Magnetic flux | Vs |
| η | Efficiency of a transformer | |
| η_B | Hysteresis material constant | mT ⁻¹ |
| η_i | Hysteresis core constant | A ⁻¹ H ^{-1/2} |
| λ_s | Magnetostriction at saturation magnetization | |
| μ | Relative complex permeability | |
| μ_0 | Magnetic field constant | Vs/Am |
| μ_a | Relative amplitude permeability | |
| μ_{app} | Relative apparent permeability | |
| μ_e | Relative effective permeability | |
| μ_i | Relative initial permeability | |
| μ_p' | Relative real (inductive) component of $\bar{\mu}$ (for parallel components) | |
| μ_p'' | Relative imaginary (loss) component of $\bar{\mu}$ (for parallel components) | |
| μ_r | Relative permeability | |
| μ_{rev} | Relative reversible permeability | |
| μ_s' | Relative real (inductive) component of $\bar{\mu}$ (for series components) | |
| μ_s'' | Relative imaginary (loss) component of $\bar{\mu}$ (for series components) | |
| μ_{tot} | Relative total permeability derived from the static magnetization curve | |
| ρ | Resistivity | Ωm^{-1} |
| $\Sigma l/A$ | Magnetic form factor | mm^{-1} |
| τ_{Cu} | DC time constant $\tau_{Cu} = L/R_{Cu} = A_L/A_R$ | s |
| ω | Angular frequency; $\omega = 2 \Pi f$ | s ⁻¹ |

All dimensions are given in mm.

SMD Surface-mount device

Important notes

The following applies to all products named in this publication:

1. Some parts of this publication contain **statements about the suitability of our products for certain areas of application**. These statements are based on our knowledge of typical requirements that are often placed on our products in the areas of application concerned. We nevertheless expressly point out **that such statements cannot be regarded as binding statements about the suitability of our products for a particular customer application**. As a rule we are either unfamiliar with individual customer applications or less familiar with them than the customers themselves. For these reasons, it is always ultimately incumbent on the customer to check and decide whether a product with the properties described in the product specification is suitable for use in a particular customer application.
2. We also point out that **in individual cases, a malfunction of electronic components or failure before the end of their usual service life cannot be completely ruled out in the current state of the art, even if they are operated as specified**. In customer applications requiring a very high level of operational safety and especially in customer applications in which the malfunction or failure of an electronic component could endanger human life or health (e.g. in accident prevention or life-saving systems), it must therefore be ensured by means of suitable design of the customer application or other action taken by the customer (e.g. installation of protective circuitry or redundancy) that no injury or damage is sustained by third parties in the event of malfunction or failure of an electronic component.
3. **The warnings, cautions and product-specific notes must be observed.**
4. In order to satisfy certain technical requirements, **some of the products described in this publication may contain substances subject to restrictions in certain jurisdictions (e.g. because they are classed as hazardous)**. Useful information on this will be found in our Material Data Sheets on the Internet (www.tdk-electronics.tdk.com/material). Should you have any more detailed questions, please contact our sales offices.
5. We constantly strive to improve our products. Consequently, **the products described in this publication may change from time to time**. The same is true of the corresponding product specifications. Please check therefore to what extent product descriptions and specifications contained in this publication are still applicable before or when you place an order.

We also **reserve the right to discontinue production and delivery of products**. Consequently, we cannot guarantee that all products named in this publication will always be available. The aforementioned does not apply in the case of individual agreements deviating from the foregoing for customer-specific products.
6. Unless otherwise agreed in individual contracts, **all orders are subject to our General Terms and Conditions of Supply**.
7. **Our manufacturing sites serving the automotive business apply the IATF 16949 standard**. The IATF certifications confirm our compliance with requirements regarding the quality management system in the automotive industry. Referring to customer requirements and customer specific requirements ("CSR") TDK always has and will continue to have the policy of respecting individual agreements. Even if IATF 16949 may appear to support the acceptance of unilateral requirements, we hereby like to emphasize that **only requirements mutually agreed upon can and will be implemented in our Quality Management System**. For clarification purposes we like to point out that obligations from IATF 16949 shall only become legally binding if individually agreed upon.
8. The trade names EPCOS, CeraCharge, CeraDiode, CeraLink, CeraPad, CeraPlas, CSMP, CTVS, DeltaCap, DigiSiMic, ExoCore, FilterCap, FormFit, LeaXield, MiniBlue, MiniCell, MKD, MKK, MotorCap, PCC, PhaseCap, PhaseCube, PhaseMod, PhiCap, PowerHap, PQSine, PQvar, SIFERRIT, SIFI, SIKOREL, SilverCap, SIMDAD, SiMic, SIMID, SineFormer, SIOV, ThermoFuse, WindCap are **trademarks registered or pending** in Europe and in other countries. Further information will be found on the Internet at www.tdk-electronics.tdk.com/trademarks.

Release 2018-10

Mouser Electronics

Authorized Distributor

Click to View Pricing, Inventory, Delivery & Lifecycle Information:

EPCOS / TDK:

[B66457G0000X192](#) [B66287G0000X149](#) [B66287G0000X187](#) [B66287G0000X192](#) [B66287G0000X197](#)
[B66288F2204X000](#) [B66457G0000X187](#) [B66457G0000X197](#) [B66287G0000X195](#) [B66287K0000X192](#)
[B66457K0000X197](#) [B66457G0000X149](#) [B66287K0000X197](#) [B66287K0000X195](#) [B66457K0000X187](#)
[B66287K0000X149](#) [B66287K0000X187](#)



Компания «ЭлектроПласт» предлагает заключение долгосрочных отношений при поставках импортных электронных компонентов на взаимовыгодных условиях!

Наши преимущества:

- Оперативные поставки широкого спектра электронных компонентов отечественного и импортного производства напрямую от производителей и с крупнейших мировых складов;
- Поставка более 17-ти миллионов наименований электронных компонентов;
- Поставка сложных, дефицитных, либо снятых с производства позиций;
- Оперативные сроки поставки под заказ (от 5 рабочих дней);
- Экспресс доставка в любую точку России;
- Техническая поддержка проекта, помощь в подборе аналогов, поставка прототипов;
- Система менеджмента качества сертифицирована по Международному стандарту ISO 9001;
- Лицензия ФСБ на осуществление работ с использованием сведений, составляющих государственную тайну;
- Поставка специализированных компонентов (Xilinx, Altera, Analog Devices, Intersil, Interpoint, Microsemi, Aeroflex, Peregrine, Syfer, Eurofarad, Texas Instrument, Miteq, Cobham, E2V, MA-COM, Hittite, Mini-Circuits, General Dynamics и др.);

Помимо этого, одним из направлений компании «ЭлектроПласт» является направление «Источники питания». Мы предлагаем Вам помощь Конструкторского отдела:

- Подбор оптимального решения, техническое обоснование при выборе компонента;
- Подбор аналогов;
- Консультации по применению компонента;
- Поставка образцов и прототипов;
- Техническая поддержка проекта;
- Защита от снятия компонента с производства.



Как с нами связаться

Телефон: 8 (812) 309 58 32 (многоканальный)

Факс: 8 (812) 320-02-42

Электронная почта: org@eplast1.ru

Адрес: 198099, г. Санкт-Петербург, ул. Калинина, дом 2, корпус 4, литера А.