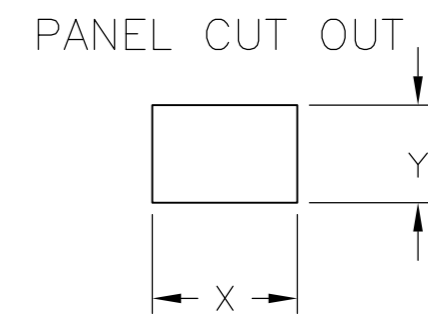
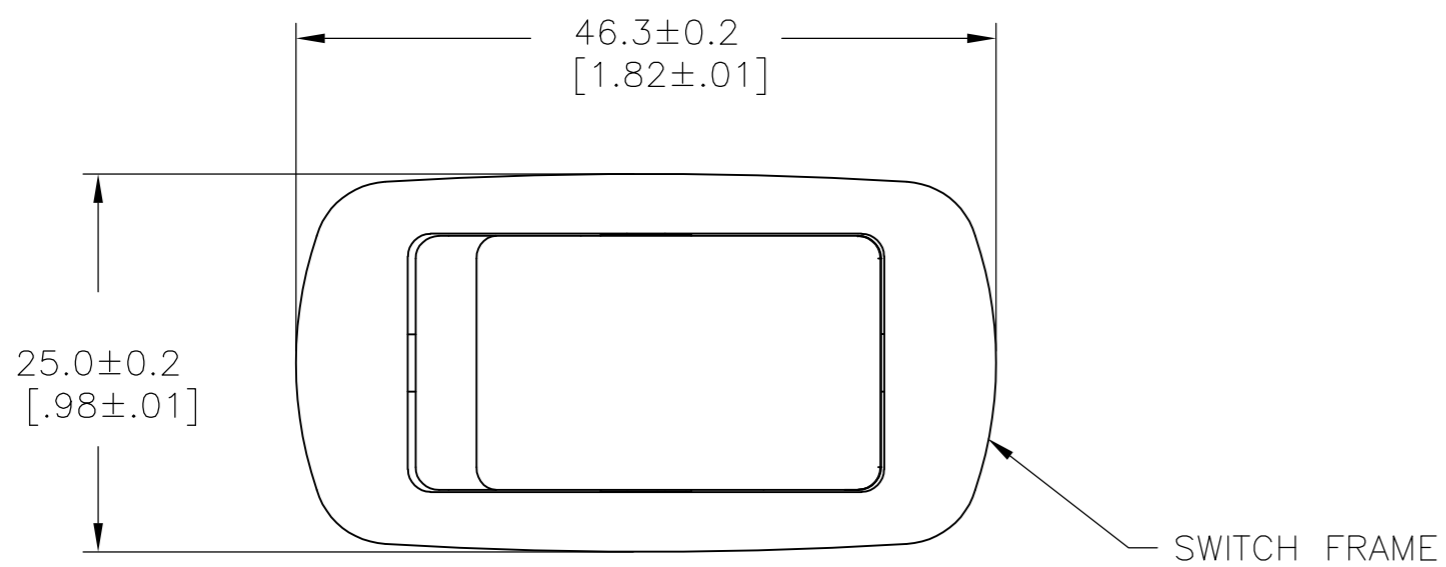
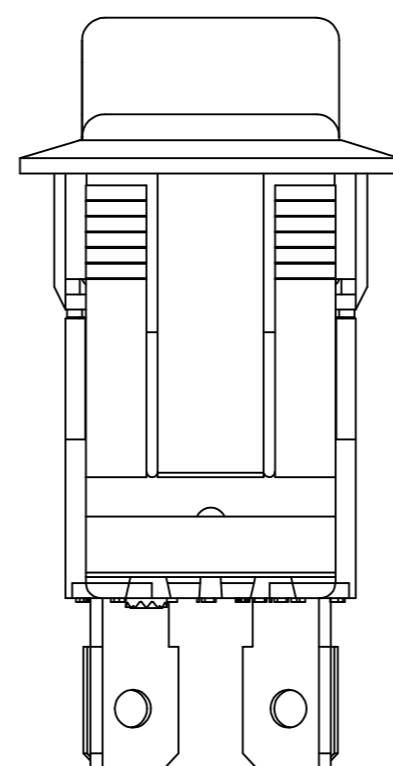
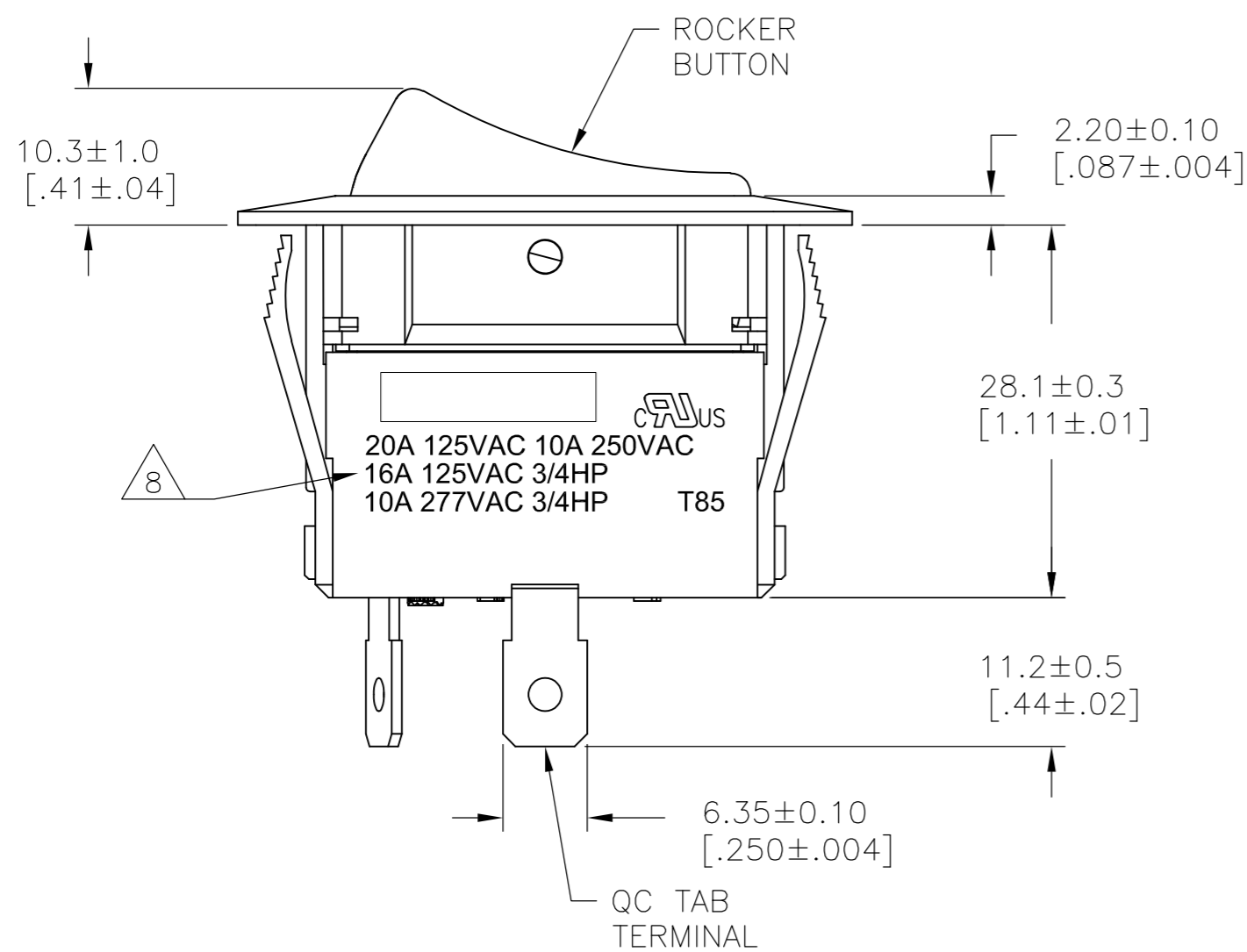


THIS DRAWING IS UNPUBLISHED. RELEASED FOR PUBLICATION
 © COPYRIGHT - By - ALL RIGHTS RESERVED.

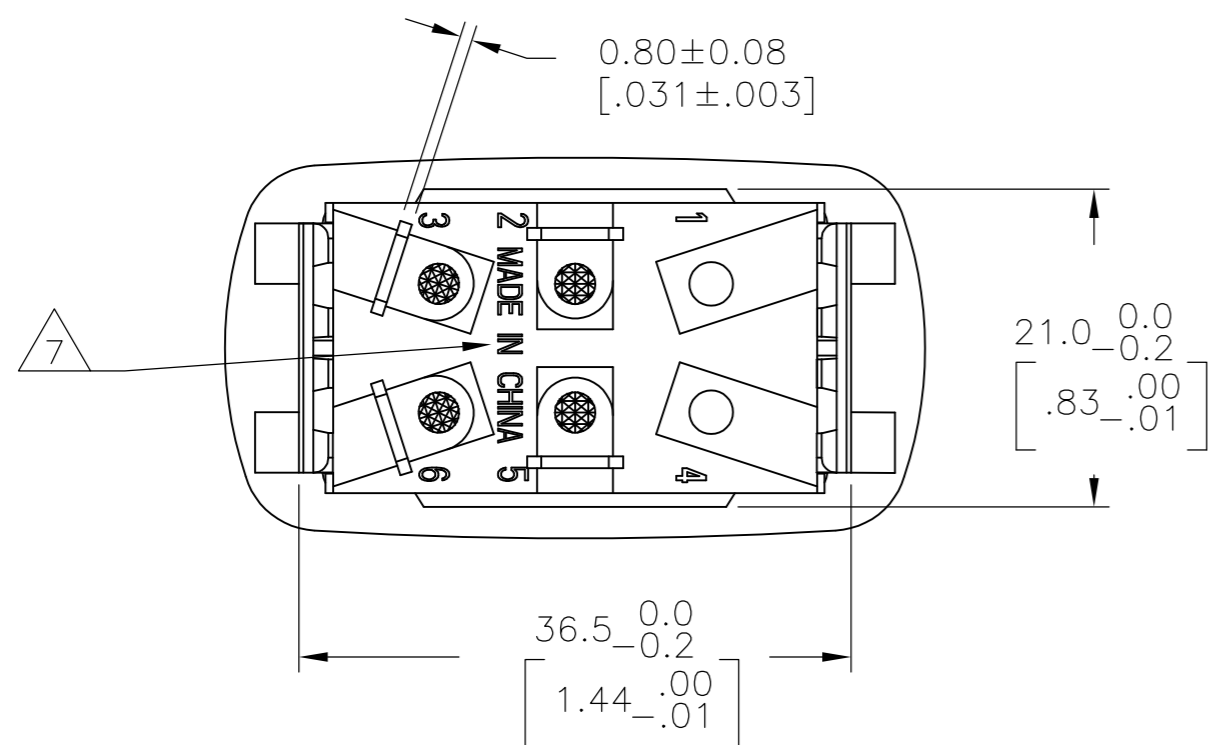
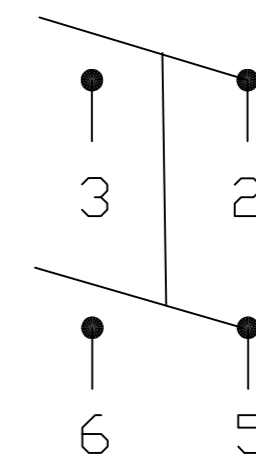
LOC		DIST		REVISIONS			
P	LTR	DESCRIPTION		DATE	DWN	APVD	
AD	00	D		REVISED PER ECO-14-016691	05NOV2014	NK	RH



2.00-3.00 [.079-.118]	21.2+0.1 [.835+.004]	37.0+0.2 [1.457+.008]
1.25-2.00 [.049-.079]	21.2+0.1 [.835+.004]	36.8+0.2 [1.449+.008]
.075-1.25 [.030-.049]	21.2+0.1 [.835+.004]	36.6+0.2 [1.441+.008]
PANEL THICKNESS	Y	X



SWITCH FUNCTION A1
 CIRCUIT DIAGRAM



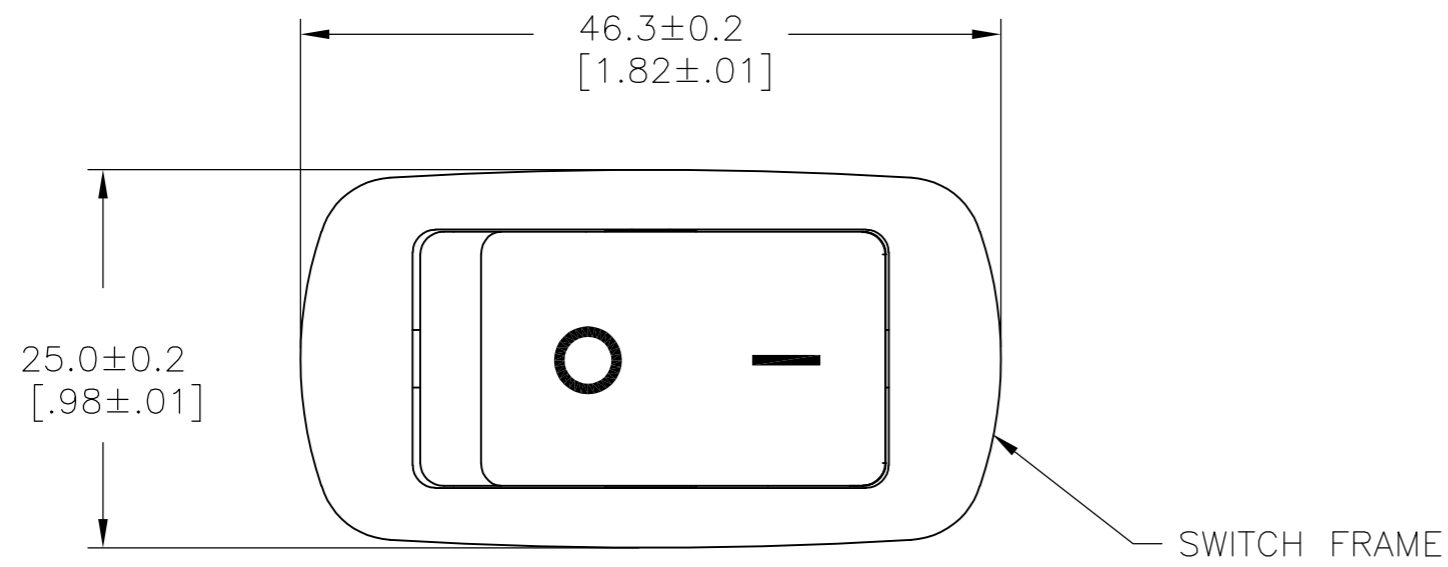
1571102-1
 SHOWN

DIMENSIONS:		TOLERANCES UNLESS OTHERWISE SPECIFIED:		MATERIAL		FINISH	
mm	[INCHES]	0 PLC	± -	1	± -	2	± -
		1 PLC	± -				
		2 PLC	± -				
		3 PLC	± -				
		4 PLC	± -				
		ANGLES	± -				

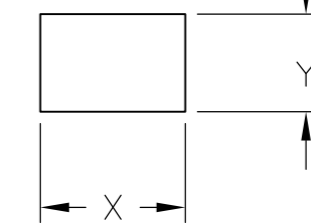
THIS DRAWING IS A CONTROLLED DOCUMENT.		DWN	M.BINNER	25FEB2002	TE Connectivity	
		CHK	D.ROHDE	16NOV05		
		APVD	D.ROHDE	16NOV05		
		PRODUCT SPEC		NAME		
		APPLICATION SPEC		POWER ROCKER SWITCH, 21.2mm X 36.6mm MIN PANEL CUT-OUT SIZE DOUBLE POLE, SINGLE THROW, NON-ILLUMINATED		
		WEIGHT	-	SIZE	A2	RESTRICTED TO
		CUSTOMER DRAWING		CAGE CODE	00779	
				DRAWING NO	C=1571102	
				SCALE	2:1	
				SHEET	1 of 4	
				REV	D	

THIS DRAWING IS UNPUBLISHED. RELEASED FOR PUBLICATION
 © COPYRIGHT - By - ALL RIGHTS RESERVED.

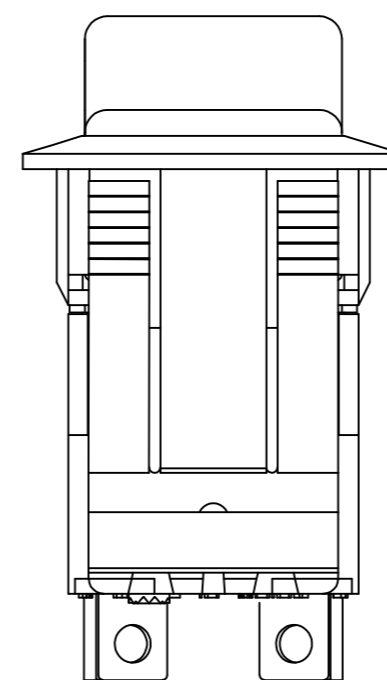
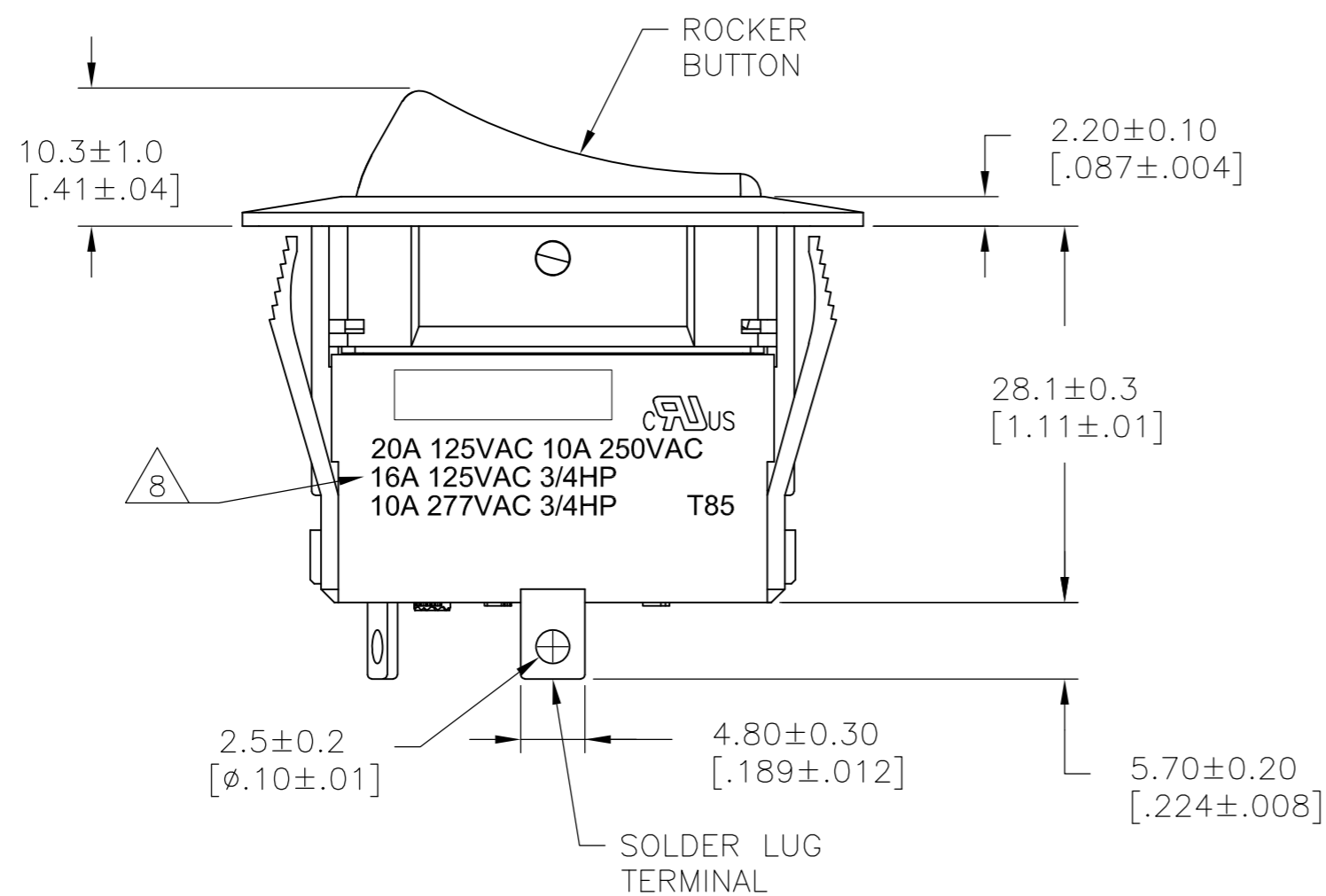
LOC		DIST		REVISIONS			
P	LTR	DESCRIPTION	DATE	DWN	APVD		
AD	00	-	-	-	-	-	SEE SHEET 1



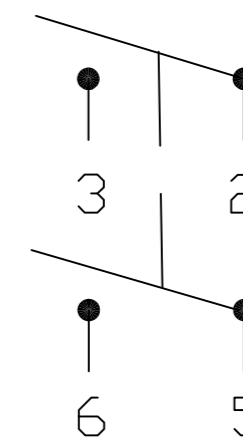
PANEL CUT OUT



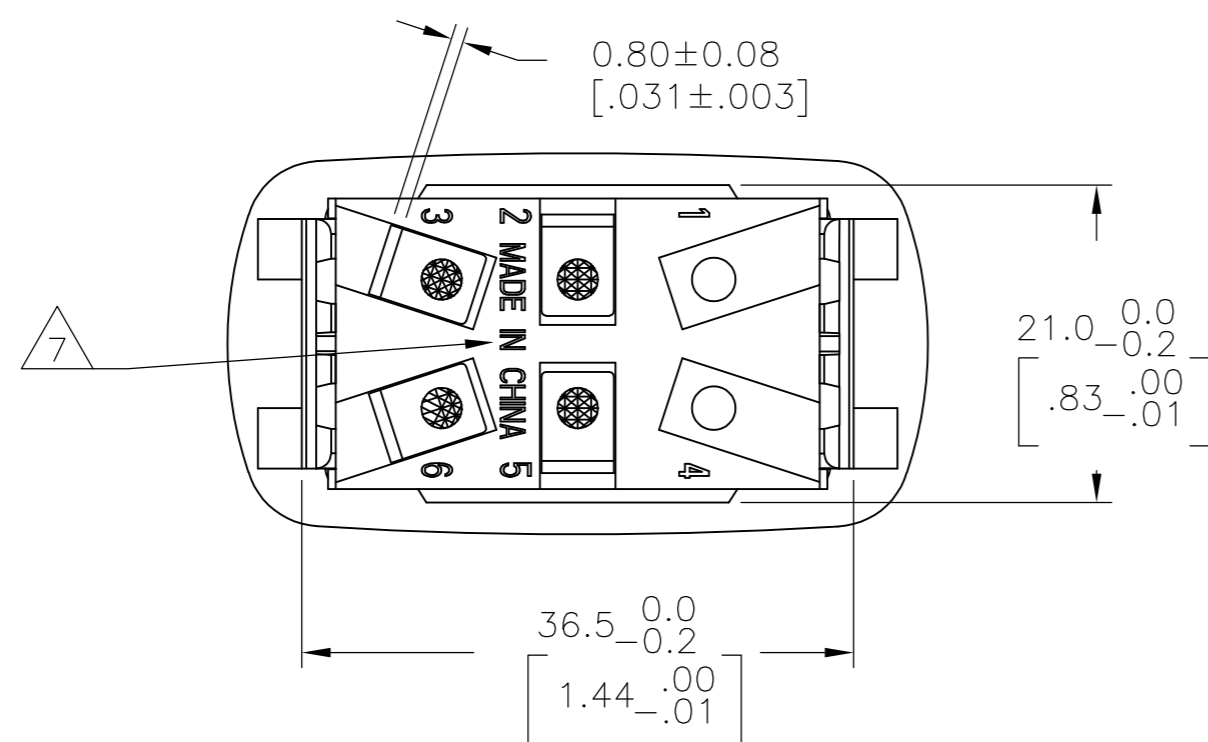
2.00-3.00 [.079-.118]	21.2+0.1 [.835+.004]	37.0+0.2 [1.457+.008]
1.25-2.00 [.049-.079]	21.2+0.1 [.835+.004]	36.8+0.2 [1.449+.008]
.075-1.25 [.030-.049]	21.2+0.1 [.835+.004]	36.6+0.2 [1.441+.008]
PANEL THICKNESS	Y	X



SWITCH FUNCTION A1
 CIRCUIT DIAGRAM



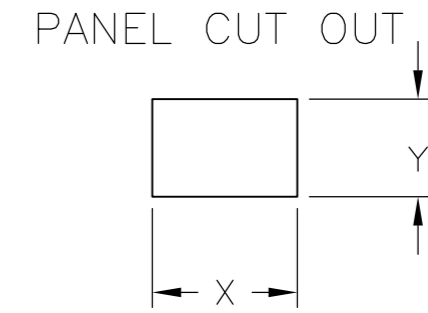
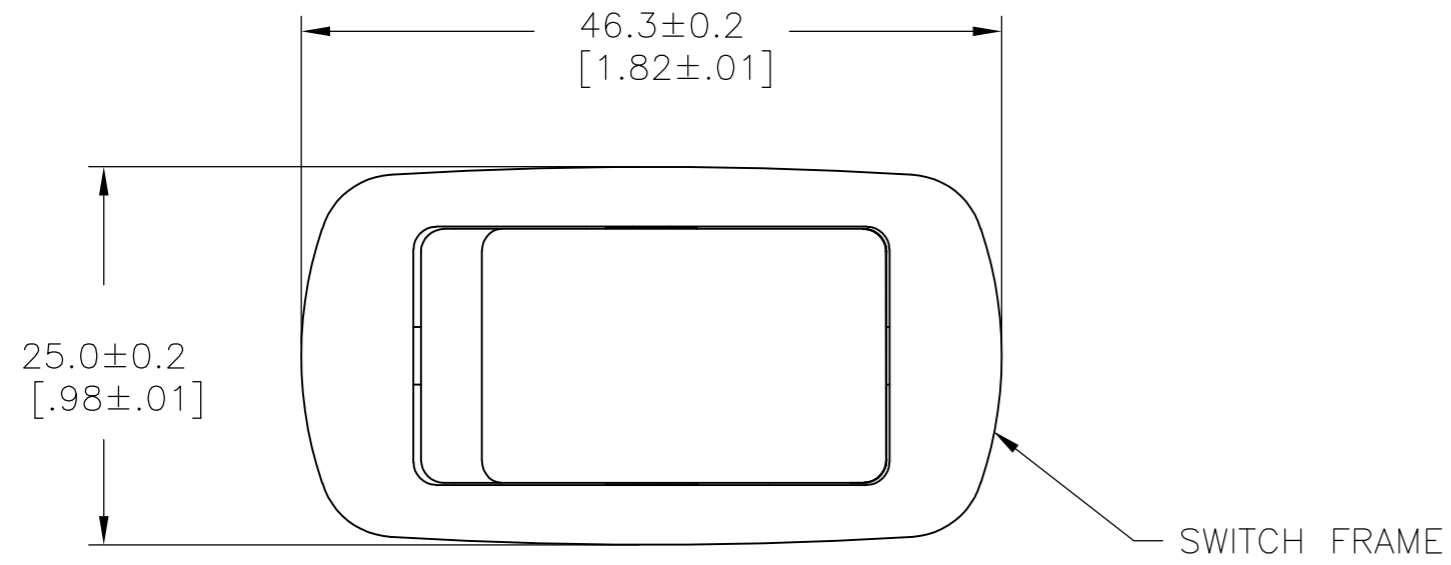
1571102-5
 SHOWN



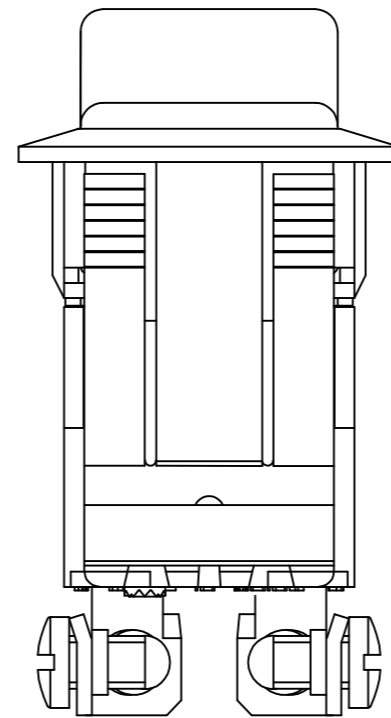
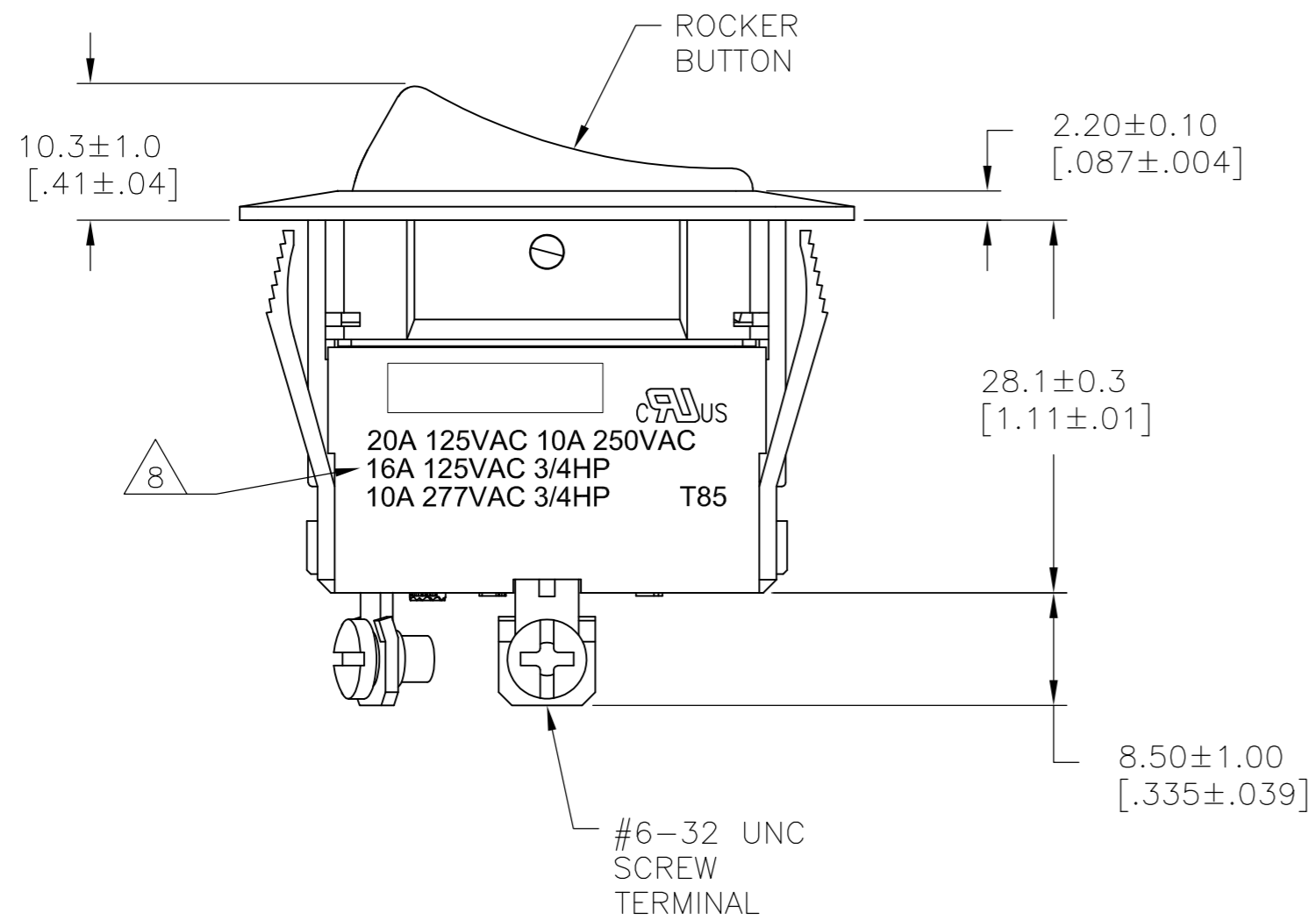
THIS DRAWING IS A CONTROLLED DOCUMENT.		DWN	25FEB2002	TE Connectivity	
DIMENSIONS: mm [INCHES]		CHK	M.BINNER	NAME	
TOLERANCES UNLESS OTHERWISE SPECIFIED:		APVD	D.ROHDE	POWER ROCKER SWITCH, 21.2mm X 36.6mm MIN	
0 PLC ± -		PRODUCT SPEC	D.ROHDE	PANEL CUT-OUT SIZE	
1 PLC ± -		APPLICATION SPEC	D.ROHDE	DOUBLE POLE, SINGLE THROW, NON-ILLUMINATED	
2 PLC ± -		WEIGHT	-	SIZE	CAGE CODE
3 PLC ± -		FINISH	-	A2	00779
4 PLC ± -		CUSTOMER DRAWING		DRAWING NO	RESTRICTED TO
ANGLES ± -		SCALE 2:1		C=1571102	-
MATERIAL		SHEET 2 of 4		REV	D
FINISH		REV			

THIS DRAWING IS UNPUBLISHED. RELEASED FOR PUBLICATION
 © COPYRIGHT - By - ALL RIGHTS RESERVED.

LOC	DIST	REVISIONS			
P	LTR	DESCRIPTION	DATE	DWN	APVD
AD	00	SEE SHEET 1	-	-	-

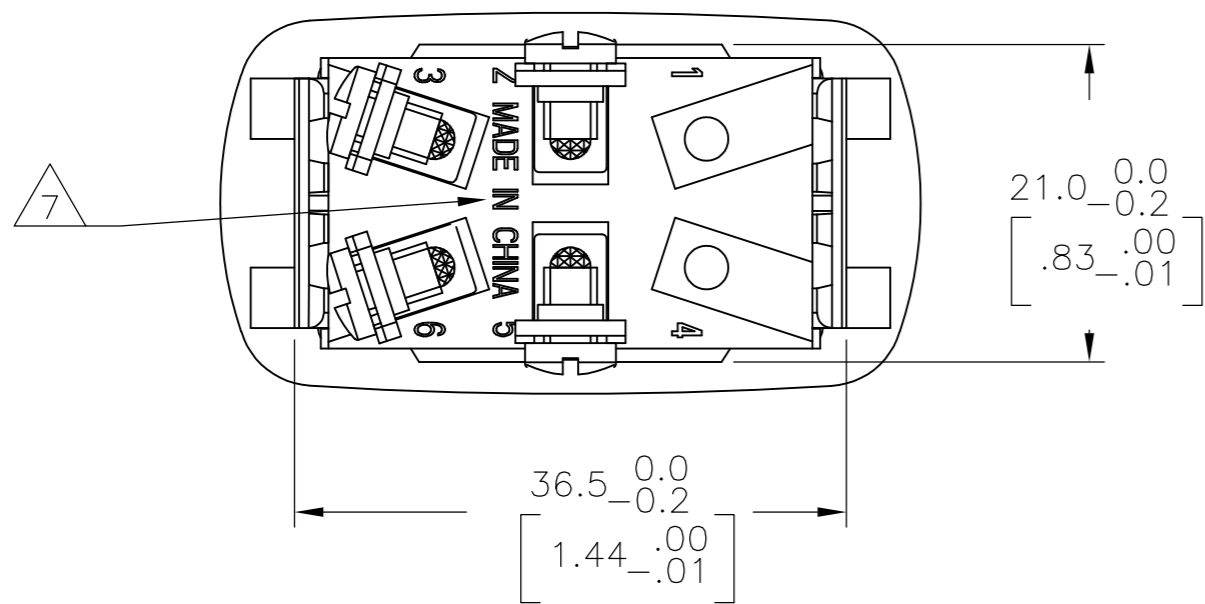
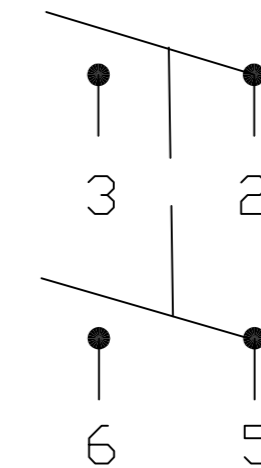


2.00-3.00 [.079-.118]	21.2+0.1 [.835+.004]	37.0+0.2 [1.457+.008]
1.25-2.00 [.049-.079]	21.2+0.1 [.835+.004]	36.8+0.2 [1.449+.008]
.075-1.25 [.030-.049]	21.2+0.1 [.835+.004]	36.6+0.2 [1.441+.008]
PANEL THICKNESS	Y	X



1571102-9
 SHOWN

SWITCH FUNCTION A1
 CIRCUIT DIAGRAM



DIMENSIONS:		TOLERANCES UNLESS OTHERWISE SPECIFIED:		MATERIAL		FINISH		WEIGHT		SCALE		SHEET		REV	
mm	[INCHES]	0 PLC	± -	1	± -	1	2	-	2:1	3	4	D			
THIS DRAWING IS A CONTROLLED DOCUMENT.				DWN M.BINNER 25FEB2002		D.ROHDE 16NOV05		D.ROHDE 16NOV05		A2		00779		C=1571102	
TE Connectivity				NAME		POWER ROCKER SWITCH, 21.2mm X 36.6mm MIN		APPLICATION SPEC		DRAWING NO		RESTRICTED TO		-	
DOUBLE POLE, SINGLE THROW, NON-ILLUMINATED				PRODUCT SPEC		CAGE CODE		SCALE		SHEET		REV		-	
CUSTOMER DRAWING				APPLICATION SPEC		DRAWING NO		SCALE		SHEET		REV		-	

LOC	DIST	REVISIONS			
P	LTR	DESCRIPTION	DATE	DWN	APVD
AD	00	-	-	-	-
		SEE SHEET 1			

1 MATERIALS:
 ROCKER BUTTON, FRAME & HOUSING: NYLON 66, UL 94 V-2.
 PLUNGER: PHENOLIC
 SEAL: SILICONE RUBBER
 SCREW TERMINAL, ACTIVE CONTACTOR, CONTACTOR SUPPORT: COPPER
 ALLOY PER ASTM B152
 QC & SOLDER TERMINAL: COPPER ALLOY PER ASTM B036
 SPRING: STEEL WIRE
 CONTACTS: SILVER-TIN OXIDE

2 FINISH:
 CONTACTOR SUPPORT, ACTIVE CONTACTOR: 1.01µm [.000040]
 MIN SILVER
 QC TERMINAL: 1.27µm [.000050] MIN NICKEL
 SOLDER TERMINAL: 1.27µm [.000050] MIN TIN

3 ELECTRICAL SPECIFICATIONS:
 CURRENT AND VOLTAGE: **6**
 CONTACT RESISTANCE (INITIAL): <50mΩ
 DIELECTRIC STRENGTH (INITIAL): >1000 VAC, 1 MINUTE
 INSULATION RESISTANCE (INITIAL): >100MΩ MIN (500VDC BETWEEN OPEN CONTACTS)
 ELECTRICAL LIFE ENDURANCE: >6000 OPERATIONS, VOLTAGE DROP: <100mV
 TEMPERATURE RISE AT TERMINALS: <30°C, 6000 OPERATIONS
 (AMBIENT CONDITIONS: 25±2°C AND 65±5%R.H)

4 MECHANICAL SPECIFICATIONS:
 ACTUATING FORCE: 1100g MIN, 1900g MAX
 OPERATING LIFE ENDURANCE: >100,000 OPERATIONS
 TERMINAL RETENTION FORCE: >9kg- SOLDER LUG
 >9kg- QC TAB
 >6.8kg- #6-32 UNC SCREW TERMINAL

5 ENVIRONMENTAL SPECIFICATIONS:
 AMBIENT TEMPERATURE: -20°C TO +85°C
 DEGREE OF PROTECTION: IP66

6 20A 125VAC, 10A 250VAC/16A 125VAC, 3/4HP/ 10A 277VAC, 3/4HP

7 COUNTRY OF ORIGIN AND TERMINAL IDENTIFICATION NUMBERS
 MOLDED APPROXIMATELY AS SHOWN ON THE SWITCH HOUSING.

8 ELECTRICAL RATINGS, APPROVED AGENCY LOGOS AND THE TE
 CONNECTIVITY LOGO LASER MARKED APPROXIMATELY AS SHOWN ON
 THE SWITCH HOUSING.

9 COMPONENT RECOGNIZED TO US & CANADIAN STANDARDS,
 UL FILE NO. E46765.

10 ROHS 2002/95/EC COMPLIANT

ALCOSWITCH PART NUMBER



SWITCH TYPE: X1 X2 = PR - POWER ROCKER

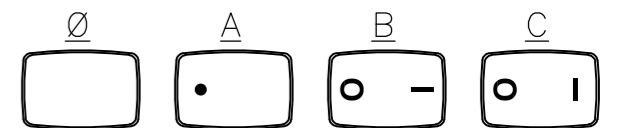
SECONDARY ROCKER COLOR: X12 = Ø - NOT APPLICABLE

PANEL CUT OUT SIZE: X3 = C - 21.2x36.6 MIN
 [.835x1.441]

NUMBER OF POLES: X4 = D - DOUBLE

SWITCH FUNCTION: X5 X6 =
A1-ON-OFF, WITH OPAQUE, SINGLE-COLOR
 ROCKER BUTTON.

LEGEND TEXT PATTERN: X13 =



CURRENT RATING: X7 X8 = 20 - **6**

TERMINAL TYPE: X9 = E - QC TAB
L - SOLDER LUG
S - #6-32 UNC SCREW

FRAME COLOR: X10 = B - BLACK
W - WHITE

LEGEND TEXT COLOR: X14 = Ø - NOT APPLICABLE
G - GREEN
R - RED
B - BLACK
W - WHITE

ROCKER COLOR: X11 = B - BLACK
G - GREEN
R - RED
W - WHITE
Y - YELLOW

3	PRCDA1-20S-BB0CW	1-1571102-1
3	PRCDA1-20S-BB0BW	1-1571102-0
3	PRCDA1-20S-BB000	1571102-9
2	PRCDA1-20L-BR000	1571102-8
1	PRCDA1-20F-BR000	1571102-7
2	PRCDA1-20L-BB0CW	1571102-6
2	PRCDA1-20L-BB0BW	1571102-5
2	PRCDA1-20L-BB000	1571102-4
1	PRCDA1-20F-BB0CW	1571102-3
1	PRCDA1-20F-BB0BW	1571102-2
1	PRCDA1-20F-BB000	1571102-1
SHEET REF	ALCOSWITCH PART NUMBER	TE PART NUMBER

THIS DRAWING IS A CONTROLLED DOCUMENT.		DWN M.BINNER 25FEB2002	TE Connectivity	
DIMENSIONS: mm [INCHES]		CHK D.ROHDE 16NOV05	NAME D.ROHDE	
TOLERANCES UNLESS OTHERWISE SPECIFIED:		APVD D.ROHDE 16NOV05	PRODUCT SPEC	
0 PLC ± -		APPLICATION SPEC		
1 PLC ± -		WEIGHT		
2 PLC ± -		SCALE 2:1		
3 PLC ± -		SHEET 4 OF 4		
4 PLC ± -		REV D		
ANGLES ± -		CUSTOMER DRAWING		
MATERIAL 1	FINISH 2	SIZE A2	CAGE CODE 00779	DRAWING NO 1571102



Компания «ЭлектроПласт» предлагает заключение долгосрочных отношений при поставках импортных электронных компонентов на взаимовыгодных условиях!

Наши преимущества:

- Оперативные поставки широкого спектра электронных компонентов отечественного и импортного производства напрямую от производителей и с крупнейших мировых складов;
- Поставка более 17-ти миллионов наименований электронных компонентов;
- Поставка сложных, дефицитных, либо снятых с производства позиций;
- Оперативные сроки поставки под заказ (от 5 рабочих дней);
- Экспресс доставка в любую точку России;
- Техническая поддержка проекта, помощь в подборе аналогов, поставка прототипов;
- Система менеджмента качества сертифицирована по Международному стандарту ISO 9001;
- Лицензия ФСБ на осуществление работ с использованием сведений, составляющих государственную тайну;
- Поставка специализированных компонентов (Xilinx, Altera, Analog Devices, Intersil, Interpoint, Microsemi, Aeroflex, Peregrine, Syfer, Eurofarad, Texas Instrument, Miteq, Cobham, E2V, MA-COM, Hittite, Mini-Circuits, General Dynamics и др.);

Помимо этого, одним из направлений компании «ЭлектроПласт» является направление «Источники питания». Мы предлагаем Вам помощь Конструкторского отдела:

- Подбор оптимального решения, техническое обоснование при выборе компонента;
- Подбор аналогов;
- Консультации по применению компонента;
- Поставка образцов и прототипов;
- Техническая поддержка проекта;
- Защита от снятия компонента с производства.



Как с нами связаться

Телефон: 8 (812) 309 58 32 (многоканальный)

Факс: 8 (812) 320-02-42

Электронная почта: org@eplast1.ru

Адрес: 198099, г. Санкт-Петербург, ул. Калинина, дом 2, корпус 4, литера А.