

**LOW SKEW 1 TO 4 CLOCK BUFFER**

IDT5T30553

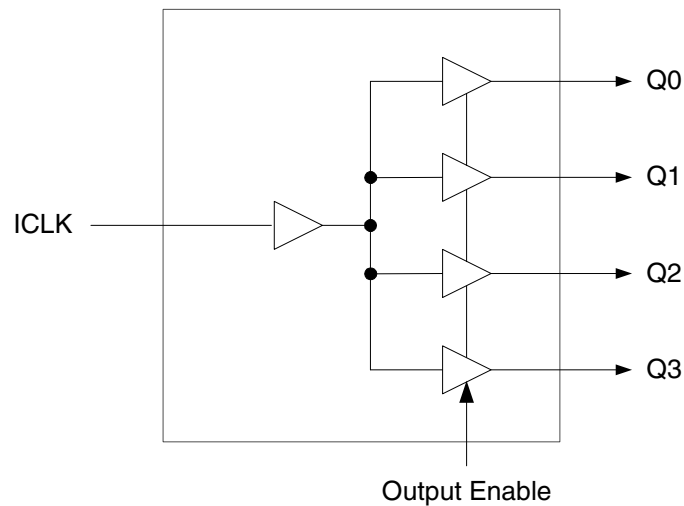
**Description**

The IDT5T30553 is a low skew, single input to four output, clock buffer.

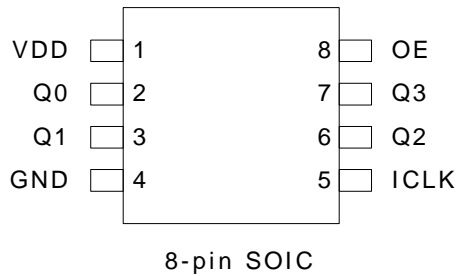
IDT makes many non-PLL and PLL based low skew output devices as well as Zero Delay Buffers to synchronize clocks. Contact us for all of your clocking needs.

**Features**

- Extremely low skew outputs (50 ps maximum)
- Packaged in 8-pin SOIC – Pb-free, RoHS compliant
- Low power CMOS technology
- Operating voltages of 2.5 V to 3.3 V
- Output Enable pin tri-states outputs
- Commercial (0 to +70°C) and Industrial (-40°C to +85°C) temperature ranges

**Block Diagram**


## Pin Assignment



## Pin Descriptions

| Pin Number | Pin Name | Pin Type | Pin Description  |
|------------|----------|----------|--|
| 1          | VDD      | Power    | Connect to +2.5 V or +3.3 V.   |
| 2          | Q0       | Output   | Clock output 0.  |
| 3          | Q1       | Output   | Clock output 1.  |
| 4          | GND      | Power    | Connect to ground.   |
| 5          | ICLK     | Input    | Clock input.   |
| 6          | Q2       | Output   | Clock Output 2.  |
| 7          | Q3       | Output   | Clock Output 3.  |
| 8          | OE       | Input    | Output Enable. Tri-states outputs when low. Connect to VDD for normal operation. |

## External Components

A minimum number of external components are required for proper operation. A decoupling capacitor of 0.01  $\mu\text{F}$  should be connected between VDD on pin 1 and GND on pin 4, as close to the device as possible. A 33  $\Omega$  series terminating resistor may be used on each clock output if the trace is longer than 1 inch.

To achieve the low output skew that the IDT5T30553 is capable of, careful attention must be paid to board layout. Essentially, all four outputs must have identical terminations, identical loads and identical trace geometries. If they do not, the output skew will be degraded. For example, using a 30 $\Omega$  series termination on one output (with 33 $\Omega$  on the others) will cause at least 15 ps of skew.

## Absolute Maximum Ratings

Stresses above the ratings listed below can cause permanent damage to the IDT5T30553. These ratings, which are standard values for IDT commercially rated parts, are stress ratings only. Functional operation of the device at these or any other conditions above those indicated in the operational sections of the specifications is not implied. Exposure to absolute maximum rating conditions for extended periods can affect product reliability. Electrical parameters are guaranteed only over the recommended operating temperature range.

| Item                                       | Rating             |
|--|--------------------|
| Supply Voltage, VDD                        | 7 V                |
| Output Enable and All Outputs              | -0.5V to VDD+0.5 V |
| ICLK                                       | -0.5V to VDD+0.5V  |
| Ambient Operating Temperature (industrial) | -40°C to +85°C     |
| Storage Temperature                        | -65°C to +150°C    |
| Junction Temperature                       | 125°C              |
| Soldering Temperature                      | 260°C              |

## Recommended Operation Conditions

| Parameter   | Min.   | Typ. | Max.   | Units |
|---|--------|------|--------|-------|
| Ambient Operating Temperature (industrial)        | -40    |      | +85    | °C    |
| Power Supply Voltage (measured in respect to GND) | +2.375 |      | +3.465 | V     |

## DC Electrical Characteristics

VDD=2.5 V ±5%, Ambient temperature -40 to +85°C, unless stated otherwise

| Parameter                | Symbol          | Conditions               | Min.  | Typ. | Max.  | Units |
|--------------------------|-----------------|--------------------------|-------|------|-------|-------|
| Operating Voltage        | VDD             |                          | 2.375 |      | 2.625 | V     |
| Input High Voltage, OE   | V <sub>IH</sub> |                          | 1.8   |      | VDD   | V     |
| Input Low Voltage, OE    | V <sub>IL</sub> |                          |       |      | 0.7   | V     |
| Output High Voltage      | V <sub>OH</sub> | I <sub>OH</sub> = -16 mA | 2     |      |       | V     |
| Output Low Voltage       | V <sub>OL</sub> | I <sub>OL</sub> = 16 mA  |       |      | 0.4   | V     |
| Operating Supply Current | IDD             | No load, 135 MHz         |       | 25   |       | mA    |
| Nominal Output Impedance | Z <sub>O</sub>  |                          |       | 20   |       | Ω     |
| Input Capacitance        | C <sub>IN</sub> | ICLK, OE pin             |       | 5    |       | pF    |
| Short Circuit Current    | I <sub>OS</sub> |                          |       | ±28  |       | mA    |

## DC Electrical Characteristics (continued)

**VDD=3.3 V ±5%**, Ambient temperature -40 to +85°C, unless stated otherwise

| Parameter                        | Symbol          | Conditions               | Min.    | Typ. | Max.  | Units |
|----------------------------------|-----------------|--------------------------|---------|------|-------|-------|
| Operating Voltage                | VDD             |                          | 3.135   |      | 3.465 | V     |
| Input High Voltage, OE           | V <sub>IH</sub> |                          | 2       |      | VDD   | V     |
| Input Low Voltage, OE            | V <sub>IL</sub> |                          |         |      | 0.8   | V     |
| Output High Voltage              | V <sub>OH</sub> | I <sub>OH</sub> = -25 mA | 2.4     |      |       | V     |
| Output Low Voltage               | V <sub>OL</sub> | I <sub>OL</sub> = 25 mA  |         |      | 0.4   | V     |
| Output High Voltage (CMOS Level) | V <sub>OH</sub> | I <sub>OH</sub> = -12 mA | VDD-0.4 |      |       | V     |
| Operating Supply Current         | IDD             | No load, 135 MHz         |         | 35   |       | mA    |
| Nominal Output Impedance         | Z <sub>O</sub>  |                          |         | 20   |       | Ω     |
| Input Capacitance                | C <sub>IN</sub> | ICLK, OE pin             |         | 5    |       | pF    |
| Short Circuit Current            | I <sub>OS</sub> |                          |         | ±50  |       | mA    |

Notes: 1. Nominal switching threshold is VDD/2

## AC Electrical Characteristics

**VDD = 2.5 V ±5%**, Ambient Temperature -40 to +85°C, unless stated otherwise

| Parameter              | Symbol          | Conditions                          | Min. | Typ. | Max. | Units |
|------------------------|-----------------|-------------------------------------|------|------|------|-------|
| Input Frequency        |                 |                                     | 0    |      | 200  | MHz   |
| Output Rise Time       | t <sub>OR</sub> | 0.8 to 2.0 V, C <sub>L</sub> =15 pF |      | 1.0  | 1.5  | ns    |
| Output Fall Time       | t <sub>OF</sub> | 2.0 to 0.8 V, C <sub>L</sub> =15 pF |      | 1.0  | 1.5  | ns    |
| Additive Period Jitter |                 |                                     |      |      | 1    | ps    |
| Propagation Delay      | Note 1          |                                     | 2.2  | 3    | 5    | ns    |
| Output to Output Skew  | Note 2          | Rising edges at VDD/2               |      | 0    | 50   | ps    |
| Device to Device Skew  |                 | Rising edges at VDD/2               |      |      | 500  | ps    |

**VDD = 3.3 V ±5%**, Ambient Temperature -40 to +85°C, unless stated otherwise

| Parameter              | Symbol          | Conditions                          | Min. | Typ. | Max. | Units |
|------------------------|-----------------|-------------------------------------|------|------|------|-------|
| Input Frequency        |                 |                                     | 0    |      | 200  | MHz   |
| Output Rise Time       | t <sub>OR</sub> | 0.8 to 2.0 V, C <sub>L</sub> =15 pF |      | 0.6  | 1.0  | ns    |
| Output Fall Time       | t <sub>OF</sub> | 2.0 to 0.8 V, C <sub>L</sub> =15 pF |      | 0.6  | 1.0  | ns    |
| Propagation Delay      | Note 1          |                                     | 2.0  | 2.4  | 4    | ns    |
| Additive Period Jitter |                 |                                     |      |      | 1    | ps    |
| Output to Output Skew  | Note 2          | Rising edges at VDD/2               |      | 0    | 50   | ps    |
| Device to Device Skew  |                 | Rising edges at VDD/2               |      |      | 500  | ps    |

Notes: 1. With rail to rail input clock.

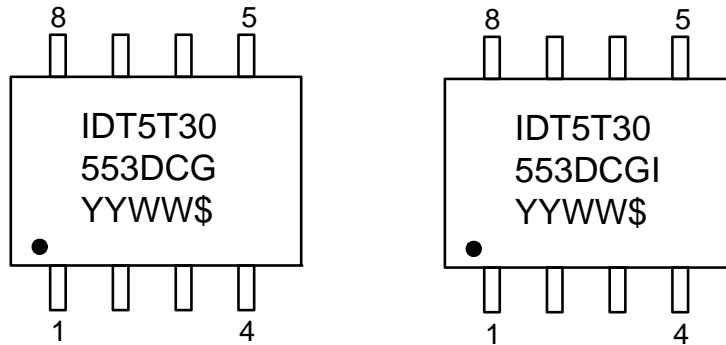
2. Between any 2 outputs with equal loading.

3. Duty cycle on outputs will match incoming clock duty cycle. Consult IDT for tight duty cycle clock generators.

## Thermal Characteristics

| Parameter                              | Symbol        | Conditions     | Min. | Typ. | Max. | Units |
|--|---------------|----------------|------|------|------|-------|
| Thermal Resistance Junction to Ambient | $\theta_{JA}$ | Still air      |      | 150  |      | °C/W  |
|  | $\theta_{JA}$ | 1 m/s air flow |      | 140  |      | °C/W  |
|  | $\theta_{JA}$ | 3 m/s air flow |      | 120  |      | °C/W  |
| Thermal Resistance Junction to Case    | $\theta_{JC}$ |                |      | 40   |      | °C/W  |

## Marking Diagrams

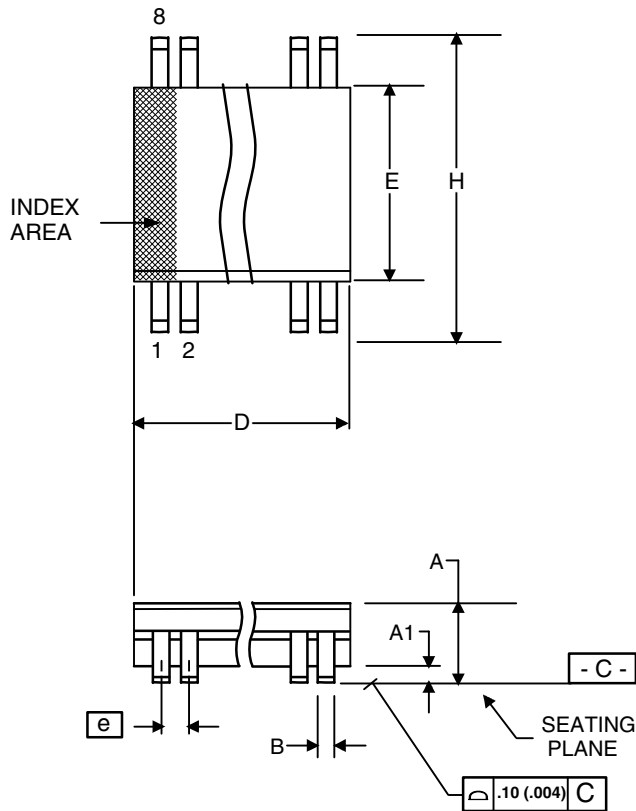


### Notes:

1. "\$" is the mark code.
2. YYWW is the last two digits of the year and week that the part was assembled.
- 3 "G" after the two-letter package code denotes RoHS compliant package.
4. "I" denotes industrial temperature range device.
5. Bottom marking: country of origin.

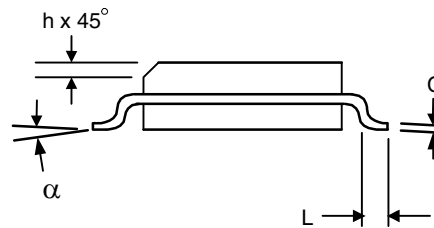
### Package Outline and Package Dimensions (8-pin SOIC, 150 Mil. Narrow Body)

Package dimensions are kept current with JEDEC Publication No. 95



| Symbol   | Millimeters |      | Inches*     |       |
|----------|-------------|------|-------------|-------|
|          | Min         | Max  | Min         | Max   |
| A        | 1.35        | 1.75 | .0532       | .0688 |
| A1       | 0.10        | 0.25 | .0040       | .0098 |
| B        | 0.33        | 0.51 | .013        | .020  |
| C        | 0.19        | 0.25 | .0075       | .0098 |
| D        | 4.80        | 5.00 | .1890       | .1968 |
| E        | 3.80        | 4.00 | .1497       | .1574 |
| e        | 1.27 BASIC  |      | 0.050 BASIC |       |
| H        | 5.80        | 6.20 | .2284       | .2440 |
| h        | 0.25        | 0.50 | .010        | .020  |
| L        | 0.40        | 1.27 | .016        | .050  |
| $\alpha$ | 0°          | 8°   | 0°          | 8°    |

\*For reference only. Controlling dimensions in mm.



### Ordering Information

| Part / Order Number | Marking    | Shipping Packaging | Package    | Temperature   |
|---------------------|------------|--------------------|------------|---------------|
| 5T30553DCG          | see page 6 | Tubes              | 8-pin SOIC | 0 to +70 °C   |
| 5T30553DCG8         |            | Tape and Reel      | 8-pin SOIC | 0 to +70 °C   |
| 5T30553DCGI         |            | Tubes              | 8-pin SOIC | -40 to +85 °C |
| 5T30553DCGI8        |            | Tape and Reel      | 8-pin SOIC | -40 to +85 °C |

“G” after the two-letter package code denotes Pb-Free configuration, RoHS compliant.

While the information presented herein has been checked for both accuracy and reliability, Integrated Device Technology (IDT) result from its use. No other circuits, patents, or licenses are implied. This product is intended for use in normal commercial applications. Any other applications such as those requiring extended temperature range, high reliability, or other extraordinary environmental requirements are not recommended without additional processing by IDT. IDT reserves the right to change any circuitry or specifications without notice. IDT does not authorize or warrant any IDT product for use in life support devices or critical medical instruments.

## Revision History

| Rev. | Originator   | Date     | Description of Change  |
|------|--------------|----------|--|
| B    | P. Keyashian | 02/17/09 | Added industrial temp ordering information.                                      |
| C    | P. Keyashian | 09/02/09 | Added "Additive Period Jitter" spec.   |
| D    | V. Chaudry   | 03/22/12 | Added marking diagrams and notes   |
| E    | A. Tsui      | 06/21/12 | Change Operating Voltage specs from 3.15V Min/3.45V Max to 3.135V Min/3.465V Max |
| F    | S. Sharma    | 12/10/13 | Updated max rating for ICLK voltage to be "-0.5V to VDD+0.5V"                    |

**Innovate with IDT and accelerate your future networks. Contact:**

[www.IDT.com](http://www.IDT.com)

**For Sales**

800-345-7015  
408-284-8200  
Fax: 408-284-2775

**For Tech Support**

[www.idt.com/go/clockhelp](http://www.idt.com/go/clockhelp)

---

**Corporate Headquarters**

Integrated Device Technology, Inc.  
[www.idt.com](http://www.idt.com)







Компания «ЭлектроПласт» предлагает заключение долгосрочных отношений при поставках импортных электронных компонентов на взаимовыгодных условиях!

Наши преимущества:

- Оперативные поставки широкого спектра электронных компонентов отечественного и импортного производства напрямую от производителей и с крупнейших мировых складов;
- Поставка более 17-ти миллионов наименований электронных компонентов;
- Поставка сложных, дефицитных, либо снятых с производства позиций;
- Оперативные сроки поставки под заказ (от 5 рабочих дней);
- Экспресс доставка в любую точку России;
- Техническая поддержка проекта, помощь в подборе аналогов, поставка прототипов;
- Система менеджмента качества сертифицирована по Международному стандарту ISO 9001;
- Лицензия ФСБ на осуществление работ с использованием сведений, составляющих государственную тайну;
- Поставка специализированных компонентов (Xilinx, Altera, Analog Devices, Intersil, Interpoint, Microsemi, Aeroflex, Peregrine, Syfer, Eurofarad, Texas Instrument, Miteq, Cobham, E2V, MA-COM, Hittite, Mini-Circuits, General Dynamics и др.);

Помимо этого, одним из направлений компании «ЭлектроПласт» является направление «Источники питания». Мы предлагаем Вам помощь Конструкторского отдела:

- Подбор оптимального решения, техническое обоснование при выборе компонента;
- Подбор аналогов;
- Консультации по применению компонента;
- Поставка образцов и прототипов;
- Техническая поддержка проекта;
- Защита от снятия компонента с производства.



#### Как с нами связаться

**Телефон:** 8 (812) 309 58 32 (многоканальный)

**Факс:** 8 (812) 320-02-42

**Электронная почта:** [org@eplast1.ru](mailto:org@eplast1.ru)

**Адрес:** 198099, г. Санкт-Петербург, ул. Калинина, дом 2, корпус 4, литера А.