

# LNK40x2-40x4 LinkSwitch-4 Family

Energy-Efficient, Accurate Primary-Side Regulated  
CV/CC Switcher for Adapters and Chargers

## Product Highlights

### Dramatically Simplifies CV/CC Converters

- Eliminates optocoupler and all secondary CV/CC control circuitry
- Eliminates all control loop compensation circuitry

### Advanced Performance Features

- Dynamic base drive technology provides flexibility in choice of BJT transistor by dynamically optimizing BJT switching characteristics
  - Extends RBSOA of BJT
  - Dramatically reduces sensitivity to BJT gain
- Compensates for transformer inductance tolerances
- Compensates for input line voltage variations
- Compensates for cable voltage drop
- Compensates for external component temperature variations
- Very accurate IC parameter tolerances using proprietary trimming technology
- Frequency up to 65 kHz to reduce transformer size
- The minimum peak current is fixed to improve transient load response

### Advanced Protection/Safety Features

- Single fault output overvoltage and short-circuit
- Over-temperature protection

### EcoSmart™ – Energy Efficient

- Meets DoE 6 and CoC V5 2016 via an optimized quasi-resonant switching PWM/PFM control
- No-load consumption of <30 mW at 230 VAC input

### Green Package

- Halogen free and RoHS compliant package

### Applications

- Chargers for cell/cordless phones, PDAs, MP3/portable audio devices, adapters, etc.

### Description

The LinkSwitch™-4 family of ICs dramatically simplifies low power CV/CC charger design by eliminating an optocoupler and secondary control circuitry. The LinkSwitch-4 family adaptive BJT drive technology uses combined base and emitter switching to boost switching performance and deliver higher efficiency, wider Reverse Bias Safe Operating Area (RBSOA) margin and the flexibility to accommodate a wide range of low cost BJT. The device incorporates a multimode PWM/PFM controller with quasi resonant switch to maximize the efficiency, meet <30 mW no-load and at same time maintain fast transient response greater than 4.3 V with a load change from 0% to 100%.

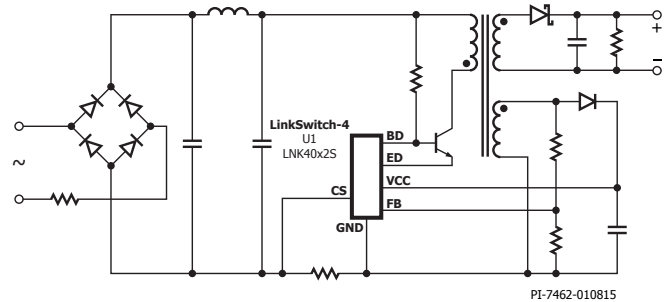


Figure 1. Typical Application (SOT-23-6) (S).

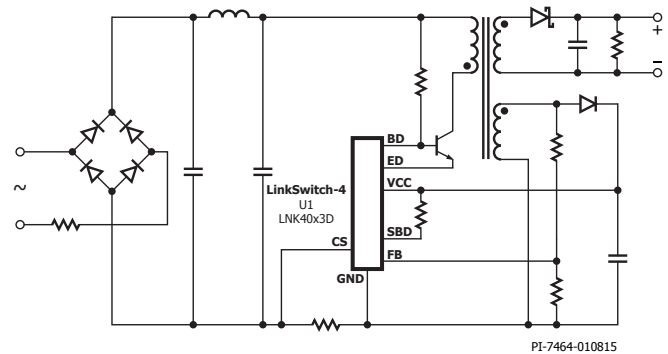


Figure 2. Typical Application (SO-8) (D).

## Output Power Table

Product <sup>3,4</sup>	85 - 265 VAC	
	Adapter <sup>1</sup>	Open Frame <sup>2</sup>
<b>LNK40x2S</b>	6.5 W	6.5 W
<b>LNK40x3S</b>	8 W	8 W
<b>LNK40x3D</b>	10 W	10 W
<b>LNK40x4D</b>	15 W	15 W

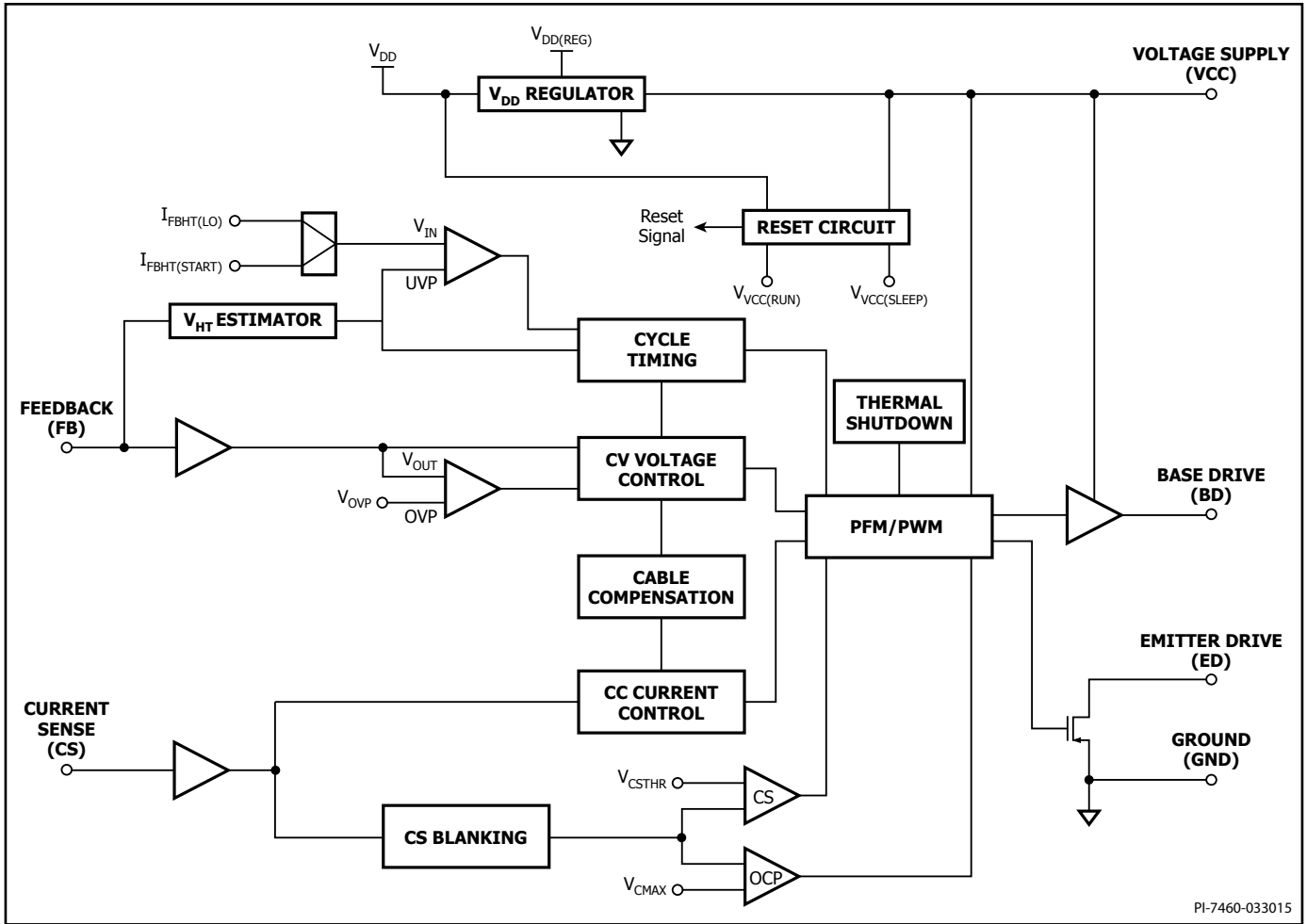
Table 1. Output Power Table.

Notes:

1. Minimum continuous power in a typical non-ventilated enclosed adapter measured at +50 °C ambient, device  $T_j \leq 100$  °C.
2. Maximum practical continuous power in an open frame design with adequate heat sinking, measured at +50 °C.
3. Package: D: SO-8, S: SOT-23-6.
4. Cable compensation factor.  $x = 0$  (no cable compensation),  $x = 1$  (3% cable compensation)  $x = 2$  (6% cable compensation).

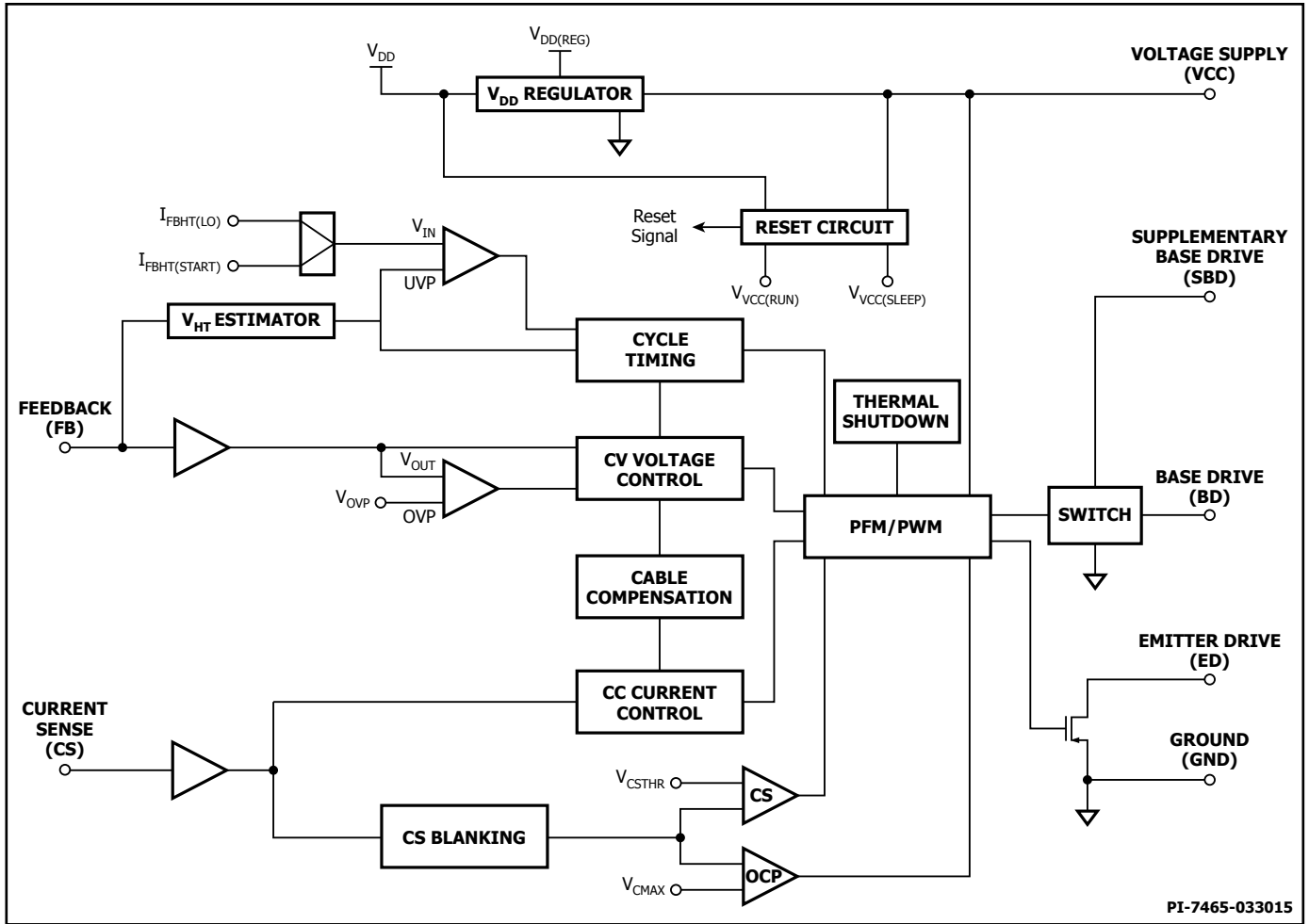


Figure 3. SOT-23-6 and SO-8 Packages.



PI-7460-033015

Figure 4. LNK40x2S Functional Block Diagram.



PI-7465-033015

Figure 5. LNK40x3D Functional Block Diagram.

**Pin Functional Description**

**VOLTAGE SUPPLY (VCC) Pin:**

During Run mode, power derived from the transformer voltage supply winding is fed to the control circuitry via the VOLTAGE SUPPLY pin.

**BASE DRIVE (BD) Pin:**

BASE DRIVE pin for BJT.

**EMITTER DRIVE (ED) Pin:**

EMITTER DRIVE pin for BJT.

**FEEDBACK (FB) Pin:**

The FEEDBACK pin input provides feedback to the control circuitry by monitoring the transformer voltage waveform.

**GROUND (GND) Pin:**

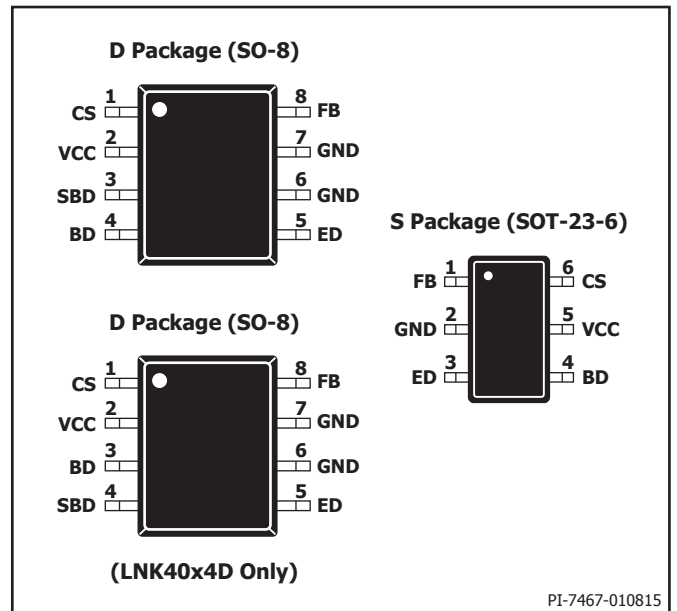
Power and signal ground.

**Primary CURRENT SENSE (CS) Pin:**

Primary CURRENT SENSE pin via  $R_{CS}$ .

**SUPPLEMENTARY BASE DRIVE (SBD) Pin:**

Supplementary base drive.



PI-7467-010815

Figure 6. Pin Configuration.

## Functional Description

### Power-Up/Power-Down Sequences

Refer to Figure 10 and Figure 7. When mains input voltage ( $V_{IN}$ ) is applied, current flows through the start-up resistors ( $R_{HT}$ ) and BJT. Some of this current flows into the LinkSwitch-4 internal circuits, which are in Sleep mode; the remainder charges capacitor  $C_{VCC}$ . As soon as the VOLTAGE SUPPLY pin voltage rises to  $V_{VCC(RUN)}$ , the LinkSwitch-4 changes to Initialize mode. Current consumption increases to  $I_{VCC(RUN)}$  while internal circuits are enabled. The emitter switch is held at low impedance to ground (GND) and a short drive pulse is output on the BASE DRIVE pin, during which time the voltage at feedback is held at GND potential by current sourced from the FEEDBACK pin. This enables the LinkSwitch-4 control circuit to compare the rectified mains input voltage with thresholds for allowing or preventing the next stage of power-up. If the input voltage is too low ( $I_{FB} < I_{FBHT(START)}$ ), the LinkSwitch-4 will not issue further drive pulses, the VCC voltage will discharge to  $V_{VCC(SLEEP)}$  and the power-up sequence will repeat. If the mains input voltage is high enough ( $I_{FB} > I_{FBHT(START)}$ ), the LinkSwitch-4 will enter Run mode and drive pulses will be output on the BASE DRIVE pin. To achieve smooth power-up (monotonic rise in  $V_{OUT}$ ),  $C_{VCC}$  must be large enough to power the control circuitry during Initialize mode and the first few cycles of Run mode, until sufficient power is provided by the transformer voltage supply winding.

If the input voltage falls below  $V_{MAINS(LO)}$  (see Input Undervoltage Protection),  $V_{VCC}$  will fall below  $V_{VCC(SLEEP)}$  and the LinkSwitch-4 will go

into Sleep mode, reducing its current consumption to  $I_{VCC(SLEEP)}$ . The control circuitry will re-initialize if the input voltage is restored and  $V_{VCC}$  reaches  $V_{VCC(RUN)}$ .

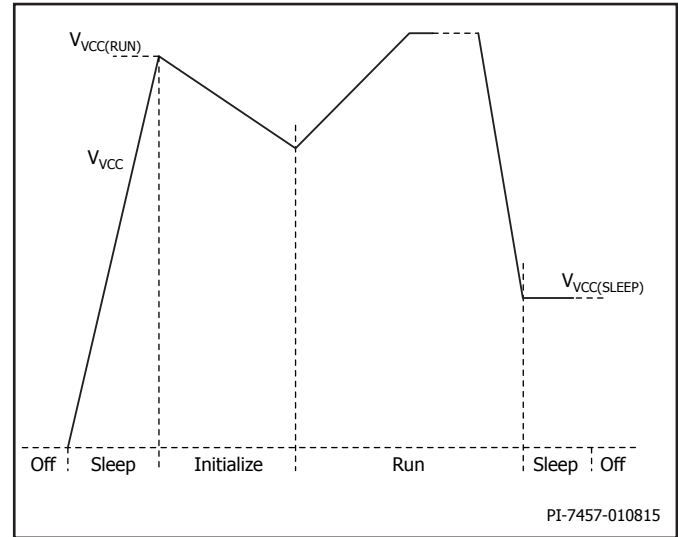


Figure 7. VCC Waveforms.

Mode	Description
Sleep	From initial application of input power or from Run mode, if $V_{VCC}$ falls below $V_{VCC(SLEEP)}$ the LinkSwitch-4 goes to Sleep mode. Non-essential circuits are turned off and base drive is held low. Sleep mode is exited when $V_{VCC}$ rises to $V_{VCC(RUN)}$ and the control circuitry goes to Initialize mode.
Initialize	Internal circuits are enabled and the LinkSwitch-4 issues one switching cycle to sample the input voltage via the FEEDBACK pin. If $V_{IN}$ (hence $V_{HT}$ ) is high enough, the LinkSwitch-4 changes to Run mode. If $V_{IN}$ is not high enough, no further base drive pulses are issued and the LinkSwitch-4 returns to Sleep mode when $V_{VCC}$ falls below $V_{VCC(SLEEP)}$ .
Run	Power conversion: The control circuitry is powered from the VCC rail and the internal $V_{DD}$ is regulated. If $V_{VCC}$ falls below $V_{VCC(SLEEP)}$ , the IC ceases power conversion and goes to Sleep mode.

Table 2. Summary of LinkSwitch-4 Operating Modes.

**Switching Waveforms**

Typical waveforms at the feedback and primary current sense inputs are shown in Figure 8.

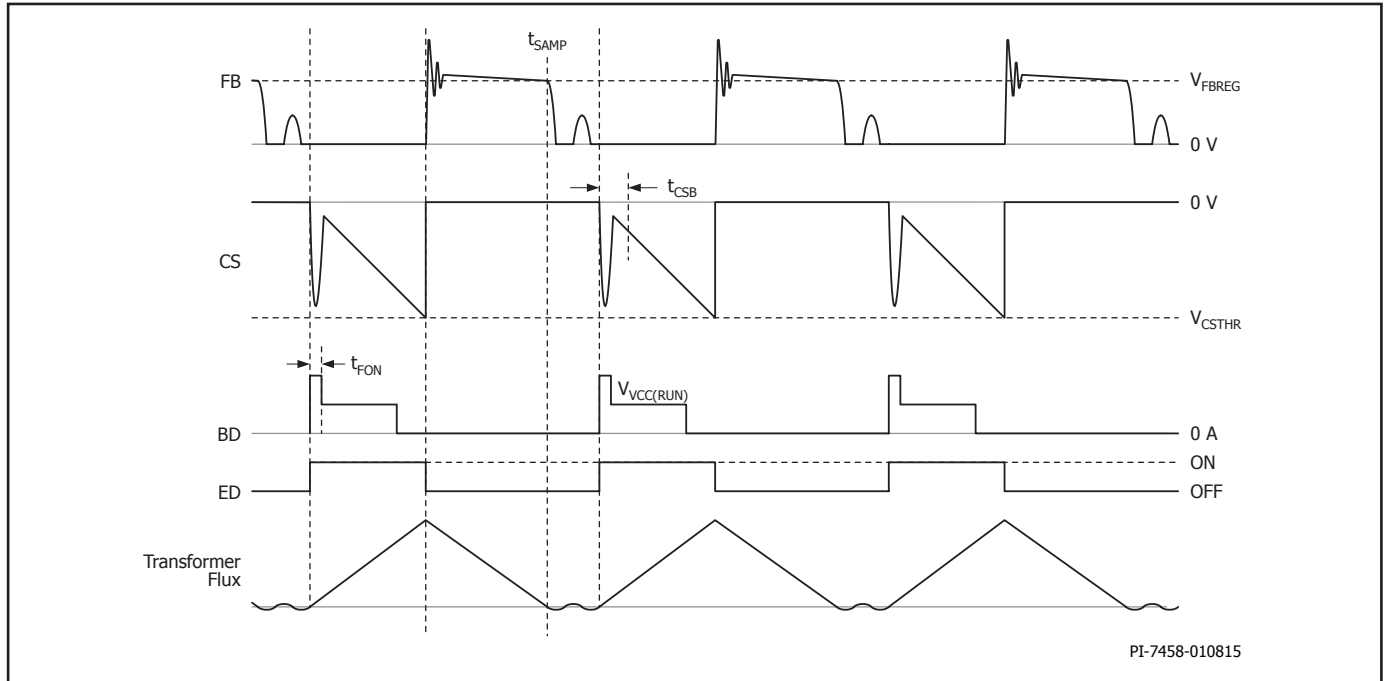


Figure 8. Typical Waveforms at the Feedback and Primary Current Sense Inputs.

**Constant Voltage (CV) Regulation**

Constant output voltage regulation is achieved by sensing the voltage at the feedback input, which is connected to the voltage supply winding as shown in Figure 10 or to a dedicated feedback winding. An internal current source prevents the feedback voltage from going negative. A typical feedback voltage waveform is shown in Figure 8. The feedback waveform is continuously analyzed and sampled at time  $t_{SAMP}$  to measure the reflected output voltage.  $t_{SAMP}$  is identified by the slope of the feedback waveform and is coincident with zero flux in the transformer. The sampled voltage is regulated at  $V_{FB(REG)}$  by the voltage control loop. The (typical) CV mode output voltage is set by the ratio of resistors  $R_{FB1}$  and  $R_{FB2}$  (see Figure 10) and by the transformer turns ratio, according to the following formula (where output diode voltage is neglected):

$$V_{OUT(CV)} = V_{FB(REG)} \left( 1 + \frac{R_{FB1}}{R_{FB2}} \right) \left( \frac{N_S}{N_F} \right)$$

Where  $N_F$  is the number of turns on the feedback (or voltage supply if used for feedback) winding and  $N_S$  is the number of turns on the secondary winding. The tolerances of  $R_{FB1}$  and  $R_{FB2}$  affect output voltage regulation and mains estimation so should typically be chosen to be 1% or better.

The current required to clamp the feedback voltage to ground potential during the on-time of the primary switch depends on the primary winding voltage (approximately equal to the rectified mains input voltage), the primary to feedback turns ratio, and resistor  $R_{FB1}$ . The controller measures feedback source current and so enables  $R_{FB1}$  to set the input voltage start threshold and the input undervoltage protection threshold, as described below.

**Input Voltage Start Threshold**

In Initialise mode, the LinkSwitch-4 issues a single short-duration drive pulse in order to measure the primary voltage and so the

approximate mains input voltage. If the input voltage is below  $V_{MAINS(START)}$  then the LinkSwitch-4 will not start. Instead it will pause while  $V_{VCC}$  discharges below  $V_{VCC(SLEEP)}$  then it will begin a new power-up cycle. If the input voltage exceeds  $V_{MAINS(START)}$  the converter will power-up.  $V_{MAINS(START)}$  is set by  $R_{FB1}$  using this equation:

$$V_{MAINS(START)} = \frac{-1}{\sqrt{2}} \times I_{FBHT(START)} \times R_{FB1} \times \frac{N_P}{N_F}$$

**Input Undervoltage Protection**

In Run mode, if the mains voltage falls to  $V_{MAINS(LO)}$  the LinkSwitch-4 will stop issuing drive pulses,  $V_{VCC}$  will reduce to  $V_{VCC(SLEEP)}$  and the LinkSwitch-4 will enter Sleep mode.  $V_{MAINS(LO)}$  is set by  $R_{FB1}$  using this equation:

$$V_{MAINS(LO)} = \frac{-1}{\sqrt{2}} \times I_{FBHT(LO)} \times R_{FB1} \times \frac{N_P}{N_F}$$

**Constant Current (CC Mode) Regulation**

Constant current output ( $I_{OUT(CC)}$ ) is achieved by regulating the CS input to the primary side estimate of the output current scaled by  $R_{CS}$ ,  $V_{CS(CC)}$ . The regulated output current,  $I_{OUT(CC)}$  is set by the value of the current sense resistor,  $R_{CS}$ , and the transformer primary to secondary turns ratio ( $N_P/N_S$ ). The value of  $R_{CS}$  is determined using the formula:

$$R_{CS} \approx \left( \frac{N_P}{N_S} \right) \left( \frac{V_{CS(CC)}(Typ)}{I_{OUT(CC)}(Typ)} \right)$$

The tolerance of  $R_{CS}$  affects the accuracy of output the current regulation so is typically chosen to be 1%. The LinkSwitch-4 can maintain CC regulation down to much lower levels of  $V_{SHUTDOWN(MAX)}$  normally specified for mobile phones chargers (see Figure 11).

## Cable Compensation

If required, LinkSwitch-4 adjusts the converter output voltage ( $V_{OUT}$ ) to compensate for voltage drop across the output cable. The amount of compensation applied ( $G_{CAB}$ ) is specified by using the formula below to match cable compensation with output cable resistance ( $R_{CAB}$ ).

$$G_{CAB} = \frac{I_{OUT(CC)}(Typ) \times R_{CAB}}{V_{OUT(CV)}(Typ)} \times 100\%$$

## Drive Pulse and Frequency Modulation

The LinkSwitch-4 control circuitry determines both the primary switch peak current and the switching frequency to control output power, ensuring discontinuous conduction mode operation at all times.

Primary current generates a voltage across the current sense resistor,  $R_{CS}$ , and is sensed by the primary current sense input. The voltage on the primary CURRENT SENSE pin is negative-going, as shown in Figure 8. When the voltage exceeds a (negative) threshold ( $V_{CSTHR}$ ) set by the control circuitry, base drive is driven low to turn the primary switch off. The primary current sense voltage threshold ( $V_{CSTHR}$ ) varies from  $V_{CS(MIN)}$  to  $V_{CS(MAX)}$  during normal operation. The switching frequency varies from  $f_{MIN}$  at no-load, to the maximum switching frequency,  $f_{MAX}$ .

Minimum switching frequency occurs during no-load operation and is typically in the range 1 to 3 kHz, depending on application design. The periodic voltage waveform on the VCC input, which depends on the current consumed by the control circuitry and the value of  $C_{VCC}$ , contributes to control of the switching frequency. In no-load condition,  $C_{VCC}$  must be large enough to ensure that ripple voltage on VCC is less than  $\Delta V_{VCCPFM(MAX)}$  and  $C_{VCC}$  must be small enough to ensure the ripple on VCC is greater than  $\Delta V_{VCCPFM(MIN)}$ .

$$C_{VCC} = \frac{I_{VCCNL}}{f_{MIN} \times \Delta V_{VCCPFM}}$$

The switching frequency increases as the load increases, eventually reaching  $f_{MAX}$  at full load. For protection purposes in the event of certain transitory conditions, the controller immediately issues a drive pulse if VCC voltage falls to  $V_{VCC(LOW)}$ . This is not part of normal operation or normal frequency control.

## Base Drive Control

During the on-time of the BJT, the emitter is switched to GND via the EMITTER DRIVE pin. Base current,  $I_{BD}$  is controlled to achieve fast turn-on, low on-voltage and fast turn-off to enable reduced power dissipation and accurate timing of each part of the switching cycle.

As shown in Figure 9, the base drive current starts with a fixed pulse of  $I_{F(ON)}/t_{F(ON)}$ . Its amplitude and duration are then modulated to provide sufficient charge for low BJT on-voltage, while allowing de-saturation towards the end of on-time so as to enable fast turn-off. When  $V_{CSTHR}$  is detected on the primary CURRENT SENSE pin, the BASE DRIVE pin is switched to GND and the emitter drive switch is opened.

## Duty Cycle Control

Maximum duty cycle is a function of the primary to secondary turns ratio of the transformer (typically 16:1 for a 5 V output). For a universal mains input power supply, maximum duty cycle is typically chosen to be 50% at the minimum (including ripple) of the rectified mains voltage (typically 80 V).

## Quasi-Resonant Switching

The primary switch is turned on when the voltage across it rings down to a minimum (voltage-valley, quasi-resonant switching). The effect of this is to reduce losses in the switch at turn-on. It also helps reduce EMI.

## Primary Switch Over-Current Protection

The primary switch is turned off if the emitter current sensed by the primary current sense input exceeds the effective threshold  $V_{CSOCP(EFF)}$  subject to the minimum on-time,  $T_{ON(MIN)}$ . The effective threshold  $V_{CSOCP(EFF)}$  depends on a threshold  $V_{CS(OCP)}$  predefined by the controller, the primary current sense signal rate of rise (dVcs/dt), which is dependent on the application design, and the primary CURRENT SENSE pin turn-off response time,  $t_{CS(OFF)}$ . This gives pulse by pulse over-current protection of the primary switch.

## Output Overvoltage Protection

The on-time of the primary switch is reduced if the output voltage tends to  $V_{OUT(OVP)}$ . The value depends on the set output voltage ( $V_{OUT(CV)}$ ) and the feedback OVP ratio:

$$V_{OUT(OVP)} = V_{OUT(CV)} \times G_{FB(OVP)}$$

## Supplementary Base Drive

The resistor  $R_{SBD}$  connects the SUPPLEMENTARY BASE DRIVE pin to VOLTAGE SUPPLY pin. It supplements current to the base drive to optimize the switching bipolar transistor turn-on and turn-off in high power applications.

Suggested values for the supplementary base drive resistor  $R_{SBD}$  are between 220  $\Omega$  and 390  $\Omega$ .

## Shunt Function

The shunt function is intended to automatically limit the VCC voltage and allow greater flexibility in transformer design. VOLTAGE SUPPLY pin will be shunted via  $R_{SBD}$ , the SUPPLEMENTARY BASE DRIVE pin resistance  $R_{SBD(ON)}$  and  $R_{BD(OFF)}$  to the GROUND pin when the VCC voltage is greater than  $V_{VCC(HI)}$  and the transformer is discharging.

## Output Undervoltage Protection (LNK40x3D/S Only)

The output undervoltage protection (UVP) function is used to shutdown the converter when the output voltage is below  $V_{OUT(UVP)}$ .

At start-up this function is disabled during the first  $N_{STARTUP}$  switching cycles and the output current is regulated allowing the output voltage to rise from 0 V in a monotonic way.

If the output does not reach  $V_{OUT(UVP)}$  during this time then the controller will shutdown and restart.

$V_{OUT(UVP)}$  value depends on the set output voltage ( $V_{OUT(CV)}$ ) and the feedback UVP ratio:

$$V_{OUT(UVP)} = V_{OUT(CV)} \times G_{FB(UVP)}$$

Product	Output Undervoltage Protection Function
LNK40x2S	$V_{OUT(UVP)}$ Depends on $V_{VCC(SLEEP)}$
LNK40x3S LNK40x3D	$V_{OUT(UVP)} = 0.6 \times V_{OUT(CV)}$
LNK40x4D	$V_{OUT(UVP)}$ Depends on $V_{VCC(SLEEP)}$

Table 3. Output Undervoltage Protection.

**Over-Temperature Protection**

Temperature protection is internal to LinkSwitch-4. The sensor measures the junction temperature  $T_j$ , which is the hottest part of LinkSwitch-4.

At temperatures  $T_j \sim 140\text{ }^\circ\text{C}$ , LinkSwitch-4 will shutdown and remain in this state until a temperature of  $T_j \sim 70\text{ }^\circ\text{C}$  is reached. Whereby LinkSwitch-4 will power-up in the normal sequence.

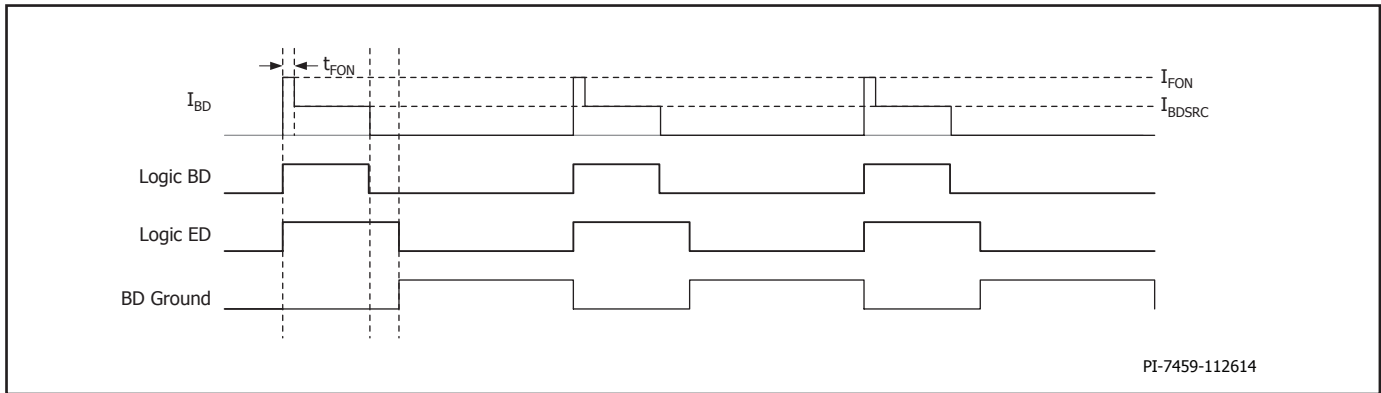


Figure 9. Base Drive Waveforms.

## Typical Application

Parameter	Symbol	Range or Value	Units	Comment
Supply Voltage	$V_{IN}$	85 - 265	VAC	Universal mains
Output Voltage	$V_{OUT(CV)}$	$5.0 \pm 5\%$	V	Constant voltage (CV) mode, at the load
Output Current	$I_{OUT(CC)}$	2	A	Constant current (CC) mode
Switching Frequency at Full Load	$f_{MAX}$	65	kHz	Determined by the chosen variant
Cable Compensation	$G_{CAB}$	6	%	Determined by the chosen variant
No-load Power	$P_{NL}$	<30	mW	Energy Star test method
Average Efficiency	$\eta$	>75	%	Energy Star test method
Turn-on Delay	$T_{ON}$	<1	s	
Undershoot Voltage	$V_{UNDERSHT}$	>4	V	Load step from 0 A to 0.5 A

Table 4. 10 W Typical Application Results for Figure 10.

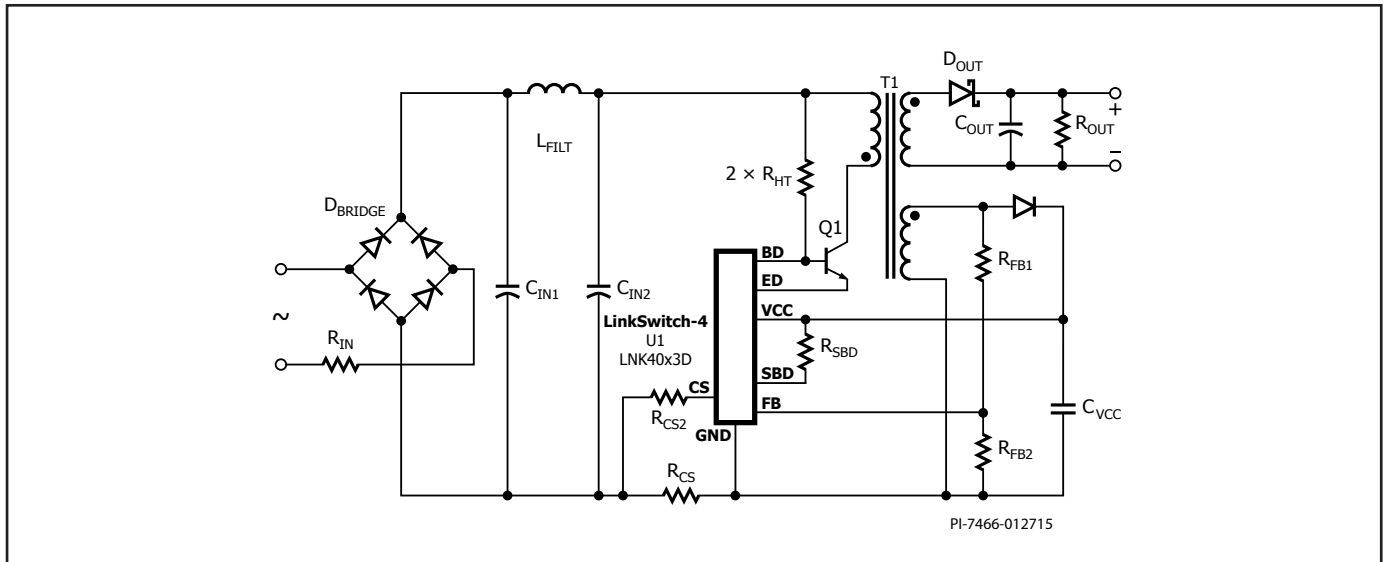


Figure 10. Typical Universal Input, 10 W Charger.

By sensing the primary-side waveforms of transformer voltage and primary current, the LinkSwitch-4 achieves constant voltage and constant current output within tight limits without the need for any secondary-side sensing components. Figure 11 shows the output characteristics of a typical charger implementation.



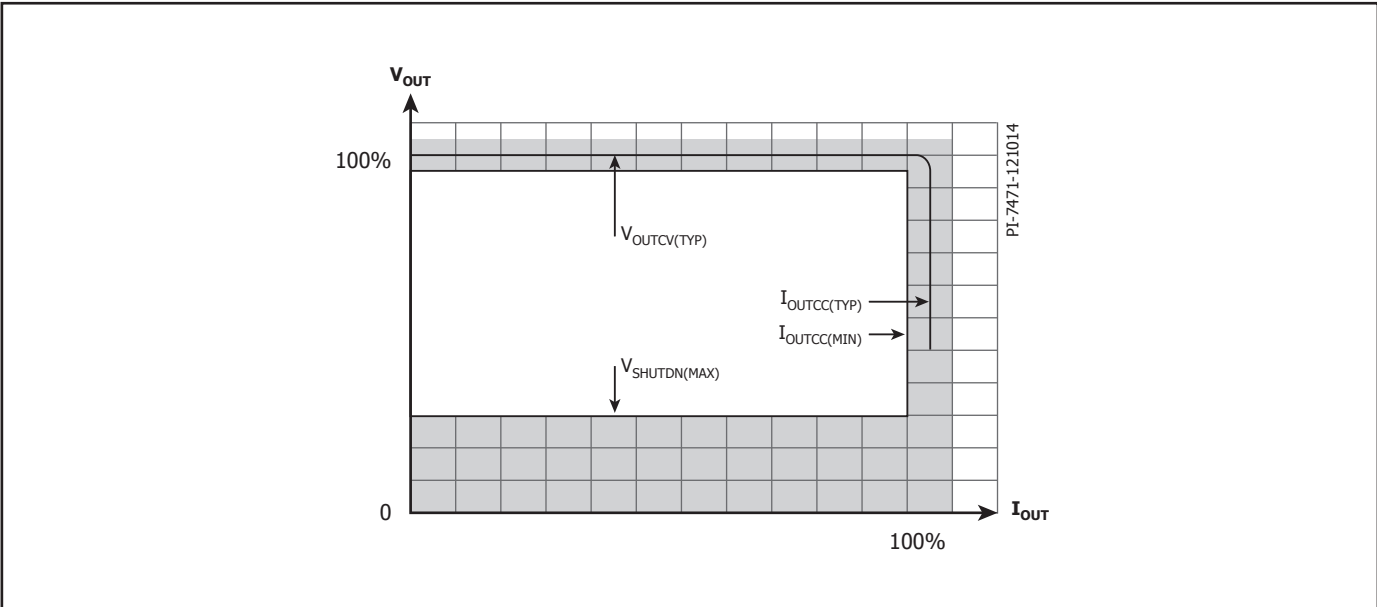


Figure 11. Typical CV/CC Output Characteristic Achieved.

## Absolute Maximum Ratings<sup>2</sup>

SUPPLY VOLTAGE Pin .....	-0.5 V to 18 V
FEEDBACK Pin Input Voltage .....	-0.5 V to 4 V
FEEDBACK Pin Input Current .....	-20 mA to 20 mA
CURRENT SENSE Pin Input Voltage.....	-0.5 V to 4 V
CURRENT SENSE Pin Input Current.....	-20 mA to 20 mA
BASE DRIVE Pin Voltage.....	-0.5 V to 18 V
EMITTER DRIVE Pin Voltage.....	-0.5 V to 18 V
SUPPLEMENTARY BASE DRIVE Pin Voltage.....	-0.5 V to 18 V
Junction Temperature .....	-40 to 125 °C
Lead Temperature <sup>1</sup> .....	260 °C

### Notes:

1. Soldering, 10 seconds.
2. Maximum ratings specified may be applied, one at a time without causing permanent damage to the product. Exposure to Absolute Maximum ratings for extended periods of time may affect product reliability.

## Thermal Resistance

Thermal Resistance: D Package: (SO-8)

$(\theta_{JA})$ .....	120 °C/W
$(\theta_{JB})^{1,2}$ .....	30 °C/W
S Package (SOT-23-6)	
$(\theta_{JA})$ .....	170 °C/W
$(\theta_{JB})^2$ .....	60 °C/W

### Notes:

1. IC mounted on typical (1oz) copper clad PCB with 164 mm<sup>2</sup> ground plane surrounding GROUND pin(s).
2.  $\theta_{JB}$  measured to GROUND pin terminal of device at the surface of the PCB.

Parameter	Symbol	Conditions $T_J = -25$ to $125$ °C (Unless Otherwise Specified)	Min	Typ	Max	Units
<b>Normal Operating Conditions</b>						
External Supply Voltage	$V_{VCC}$		5		16.5	V
Transformer Resonance frequency (In-Circuit)	$f_{RES}$		180		1200	kHz
Thermal Shutdown Temperature	$T_{SD}$		130	140	150	°C
Thermal Shutdown Hysteresis	$T_{SDH}$			70		°C
<b>VOLTAGE SUPPLY Pin</b>						
Supply Voltage	$V_{VCC(RUN)}$	To Enter Initialize Mode	11.5	13.5	15.5	V
	$V_{VCC(SLEEP)}$			4.5		
	$V_{VCC(LOW)}$			5		
Supply Current	$I_{VCC(RUN)}$	Average at $f_{MAX}$ Excluding Base Drive Current		2		mA
	$I_{VCC(NL)}$	No-Load		0.6		
	$I_{VCC(SLEEP)}$	In Sleep Mode			15	
VCC Voltage Peak-to-Peak Amplitude	$\Delta V_{VCC(PFM)}$	No-Load	0.05		1.6	V
<b>FEEDBACK Pin</b>						
Feedback Regulation Level	$V_{FB(REG)}$	$T_J = 25$ °C	1.96	1.98	2.00	V
Feedback Input Resistance	$R_{FB(IN)}$	Effective Input Resistance $0 < V_{FB} < 5$		2		MΩ

Parameter	Symbol	Conditions $T_J = -25$ to $125$ °C (Unless Otherwise Specified)	Min	Typ	Max	Units			
<b>FEEDBACK Pin (Cont.)</b>									
Feedback OVP Ratio	$G_{FB(OVP)}$			1.20					
Feedback UVP Ratio	$G_{FB(UVP)}$	LNK40x3D/S Only		0.6					
Feedback Current Low Mains Threshold	$I_{FBHT(LO)}$			-0.45		mA			
Feedback Current Start Mains Threshold	$I_{FBHT(START)}$		-1.05			mA			
Feedback Blanking Time	$T_{FB(BL)}$	LNK40x2S			1.5	$\mu$ s			
		$\frac{V_{OUT}}{V_{OUT(CV)}} \leq 0.7$	$R_{CS2} = 100 \Omega$		1.5				
			$R_{CS2} = 270 \Omega$		2.2				
			$R_{CS2} = 470 \Omega$		2.5				
			$R_{CS2} = 1000 \Omega$		2.5				
		$\frac{V_{OUT}}{V_{OUT(CV)}} > 0.7$	$R_{CS2} = 100 \Omega$		0.75				
			$R_{CS2} = 270 \Omega$		1.1				
			$R_{CS2} = 470 \Omega$		1.25				
$R_{CS2} = 1000 \Omega$			1.25						
Start-up Cycle Count	$N_{STARTUP}$	LNK40x3S / LNK40x3D		600					
Transient Detect Pulse Duration	$T_{TD}$	LNK40x3S / LNK40x3D / LNK40x4D		100		ns			
Transient Detect Threshold	$V_{TD}$	LNK40x3S / LNK40x3D / LNK40x4D		60		mV			
<b>CURRENT SENSE Pin</b>									
Primary Current Sense Input Minimum Threshold	$V_{CS(MIN)}$	Outside Primary Current Sense Blanking Time $t_{CS(B)}$	LNK40x2S			-88	mV		
			LNK40x3S / LNK40x3D / LNK40x4D (Set by External Resistor $R_{CS2}$ )	$R_{CS2} = 100 \Omega$		-56			
				$R_{CS2} = 270 \Omega$		-73			
				$R_{CS2} = 470 \Omega$		-94			
				$R_{CS2} = 1000 \Omega$		-127			
Primary Current Sense Input Maximum Threshold	$V_{CS(OCP)}$ $V_{CS(MAX)}$	Outside Primary Current Sense Blanking Time $t_{CS(B)}$	Over-Current Protect		-350	-340	-330	mV	
			Normal Regulation		-380	-360	-340	mV	
Primary Current Sense Turn-Off Response Time	$t_{CS(OFF)}$	Outside Primary Current Sense Blanking Time $t_{CS(B)}$				120	ns		
Primary Current Sense Threshold for CC Operation	$V_{CS(CC)}$	$T_J = 25$ °C				-62	-60.8	-59.6	mV
Leading Edge Blanking Time	$t_{CS(B)}$	See Figure 8				375		ns	

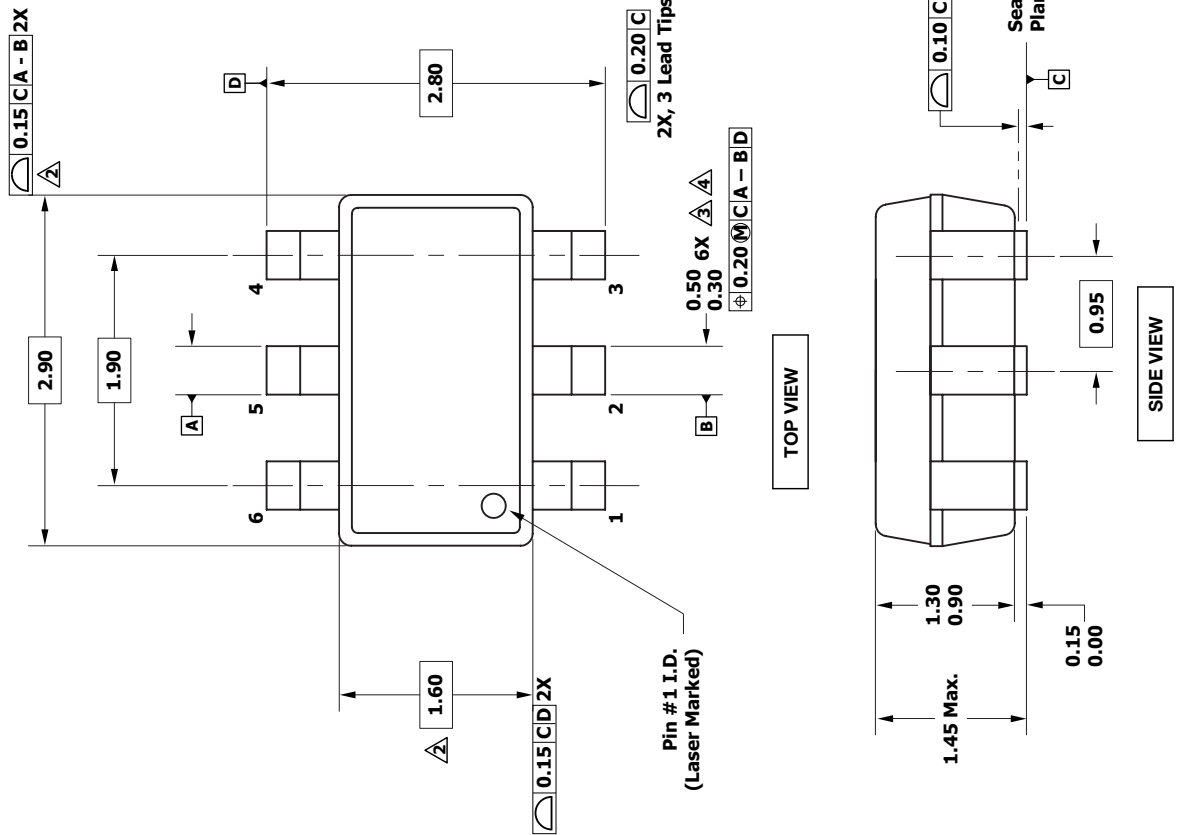
Parameter	Symbol	Conditions $T_J = -25$ to $125$ °C (Unless Otherwise Specified)	Min	Typ	Max	Units
<b>BASE DRIVE Pin</b>						
Base Drive Force on Current	$I_{F(ON)}$	LNK40x2S / LNK40x3S / LNK40x3D		40		mA
		LNK40x4D		80		
Base Drive Force on Duration	$T_{F(ON)}$			200		ns
Base Drive Source Current	$I_{BDSRC(MIN)}$	LNK40x2S / LNK40x3S / LNK40x3D		5		mA
		LNK40x4D		12		
	$I_{BDSRC(MAX)}$	LNK40x2S / LNK40x3S / LNK40x3D		40		
		LNK40x4D		80		
Base Drive Pull Down Resistance	$R_{BD(OFF)}$	$V_{VCC} = 12$ V	LNK40x2S		4.5	$\Omega$
			LNK40x3S		3	
			LNK40x3D		3	
			LNK40x4D		1.2	
Base Drive Minimum On-Time	$t_{BDON(MIN)}$			375		ns
Base Drive Leakage Current	$I_{BD(SLEEP)}$	In Sleep Mode, $T_J = 50$ °C			1	$\mu$ A
Base Drive Peak Sink Current	$I_{BD(SINK)}$	LNK40x2S			600	mA
		LNK40x3S			700	
		LNK40x3D			900	
		LNK40x4D			1100	
<b>EMITTER DRIVE Pin</b>						
Emitter Drive On-State Resistance	$R_{EDON(MAX)}$	$V_{VCC} = V_{VCC(SLEEP)}$	LNK40x2S		3	$\Omega$
			LNK40x3S		1.5	
			LNK40x3D		1.5	
			LNK40x4D		0.9	
Emitter Drive Leakage Current	$I_{ED(SLEEP)}$	In Sleep Mode, $T_J = 50$ °C	LNK40x2S		1	$\mu$ A
			LNK40x3S		1	
			LNK40x3D		1	
			LNK40x4D		1	
Emitter Drive Peak Sink Current	$I_{ED(SINK)}$	LNK40x2S			600	mA
		LNK40x3S			700	
		LNK40x3D			900	
		LNK40x4D			1100	
Emitter Drive Minimum On-Time	$t_{EDMIN(ON)}$	LNK40x3S / LNK40x3D Only		175		ns

Parameter	Symbol	Conditions $T_j = -25$ to $125$ °C (Unless Otherwise Specified)	Min	Typ	Max	Units
<b>SBD Pin</b>						
<b>SBD On-State Resistance</b>	$R_{SBD(ON)}$			8		$\Omega$
<b>SBD Leakage Current</b>	$I_{SBD(SLEEP)}$	In Sleep Mode, $T_j = 50$ °C			1	$\mu A$

## NOTES:

- A. Min and Max values apply over the full range of normal operating conditions.
- B. Typical electrical characteristics apply at  $T_j = T_j$  (typ).
- C. The chip is operating in Run mode.
- D. Voltages are specified with respect to the GROUND pin.

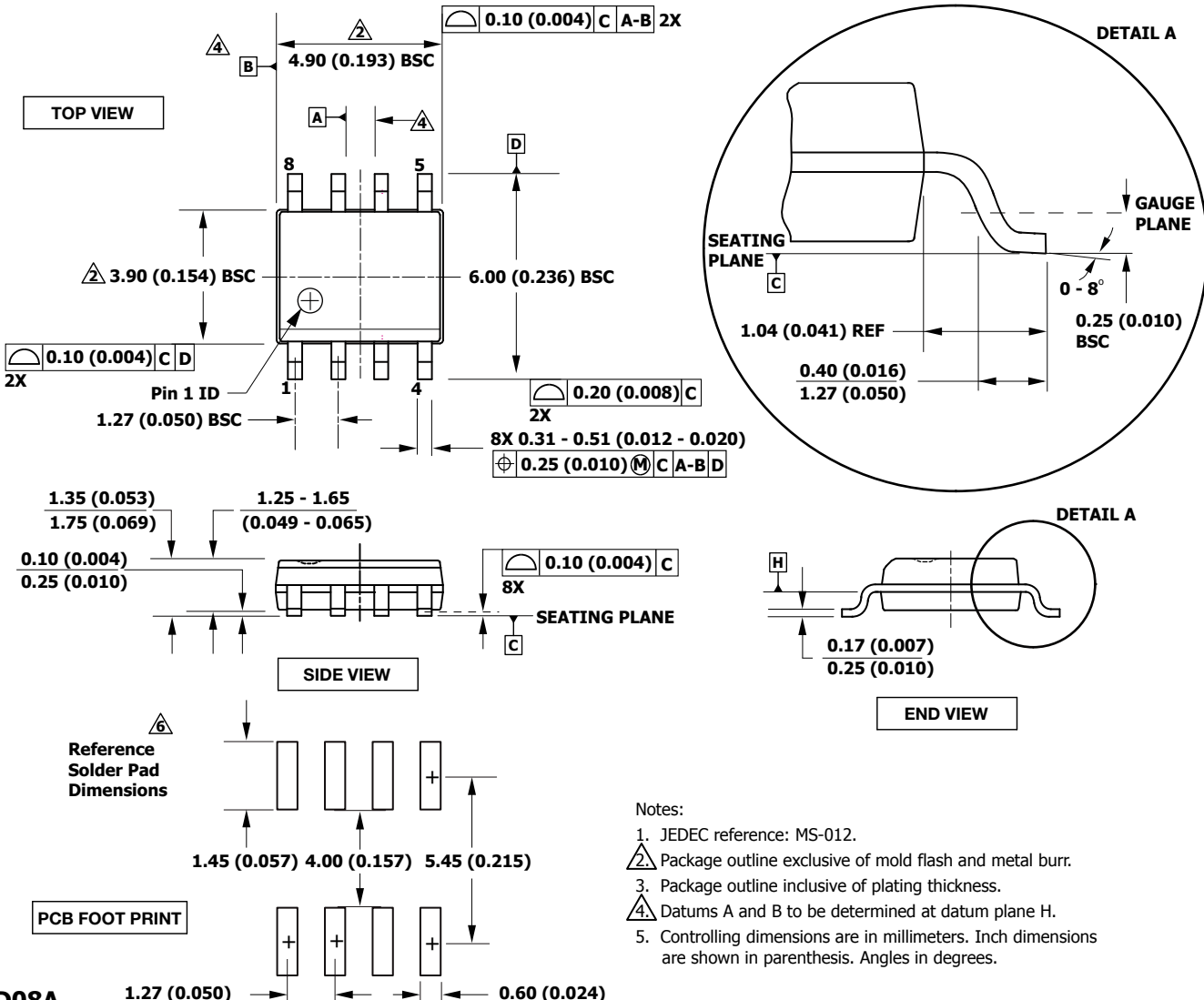
SOT-23-6



- Notes:
1. Dimensioning and tolerancing per ASME Y14.5M-1994.
  2. Dimensions noted are determined at the outermost extremes of the plastic body exclusive of mold flash, tie bar burrs, gate burrs, and inter-lead flash, but including any mismatch between the top and bottom of the plastic body. Maximum mold protrusion is 0.25 mm per side.
  3. Dimensions noted are inclusive of plating thickness.
  4. Does not include inter-lead flash or protrusions.
  5. Dimensions in millimeters.
  6. Datums A and B to be determined in Datum H.
  7. JEDEC reference: MO - 178.

PL-7468-120814  
 POD-SOT-23-6 Rev B

**SO-8 (D Package)**



- Notes:
1. JEDEC reference: MS-012.
  2. Package outline exclusive of mold flash and metal burr.
  3. Package outline inclusive of plating thickness.
  4. Datums A and B to be determined at datum plane H.
  5. Controlling dimensions are in millimeters. Inch dimensions are shown in parenthesis. Angles in degrees.

**D08A**

PI-7461-120914

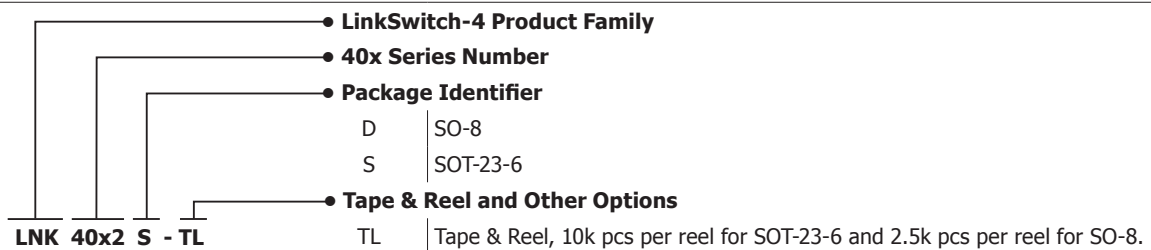
## Part Ordering Table

Product	$f_{MAX}$ (kHz)	$G_{CAB}$ (%)	Package Marking <sup>1</sup>	Tape and Reel Part Number
LNK4002S	65	0	BBxx	LNK4002S-TL
LNK4012S	65	3	GBxx	LNK4012S-TL
LNK4022S	65	6	BAxx	LNK4022S-TL
LNK4003S	65	0	DLxx	LNK4003S-TL
LNK4013S	65	3	DOxx	LNK4013S-TL
LNK4023S	65	6	DNxx	LNK4023S-TL
LNK4003D	65	0	LNK4003D	LNK4003D-TL
LNK4013D	65	3	LNK4013D	LNK4013D-TL
LNK4023D	65	6	LNK4023D	LNK4023D-TL
LNK4004D	65	0	LNK4004D	LNK4004D-TL
LNK4014D	65	3	LNK4014D	LNK4014D-TL
LNK4024D	65	6	LNK4024D	LNK4024D-TL

NOTES:

- xx = Manufacturing lot code.

## Part Ordering Information







Revision	Notes	Date
A	Initial Release.	01/27/15
B	Added Over-Temperature Protection section. Added LNK4012S, LNK4013S and LNK4013D parts.	04/06/15

**For the latest updates, visit our website: [www.power.com](http://www.power.com)**

Power Integrations reserves the right to make changes to its products at any time to improve reliability or manufacturability. Power Integrations does not assume any liability arising from the use of any device or circuit described herein. POWER INTEGRATIONS MAKES NO WARRANTY HEREIN AND SPECIFICALLY DISCLAIMS ALL WARRANTIES INCLUDING, WITHOUT LIMITATION, THE IMPLIED WARRANTIES OF MERCHANTABILITY, FITNESS FOR A PARTICULAR PURPOSE, AND NON-INFRINGEMENT OF THIRD PARTY RIGHTS.

**Patent Information**

The products and applications illustrated herein (including transformer construction and circuits external to the products) may be covered by one or more U.S. and foreign patents, or potentially by pending U.S. and foreign patent applications assigned to Power Integrations. A complete list of Power Integrations patents may be found at [www.power.com](http://www.power.com). Power Integrations grants its customers a license under certain patent rights as set forth at <http://www.power.com/ip.htm>.

**Life Support Policy**

POWER INTEGRATIONS PRODUCTS ARE NOT AUTHORIZED FOR USE AS CRITICAL COMPONENTS IN LIFE SUPPORT DEVICES OR SYSTEMS WITHOUT THE EXPRESS WRITTEN APPROVAL OF THE PRESIDENT OF POWER INTEGRATIONS. As used herein:

1. A life support device or system is one which, (i) is intended for surgical implant into the body, or (ii) supports or sustains life, and (iii) whose failure to perform, when properly used in accordance with instructions for use, can be reasonably expected to result in significant injury or death to the user.
2. A critical component is any component of a life support device or system whose failure to perform can be reasonably expected to cause the failure of the life support device or system, or to affect its safety or effectiveness.

The PI logo, TOPSwitch, TinySwitch, LinkSwitch, LYTSwitch, InnoSwitch, DPA-Switch, PeakSwitch, CAPZero, SENZero, LinkZero, HiperPFS, HiperTFS, HiperLCS, Qspeed, EcoSmart, Clampless, E-Shield, Filterfuse, FluxLink, StakFET, PI Expert and PI FACTS are trademarks of Power Integrations, Inc. Other trademarks are property of their respective companies. ©2015, Power Integrations, Inc.

**Power Integrations Worldwide Sales Support Locations**

**World Headquarters**

5245 Hellyer Avenue  
San Jose, CA 95138, USA.  
Main: +1-408-414-9200  
Customer Service:  
Phone: +1-408-414-9665  
Fax: +1-408-414-9765  
e-mail: [usasales@power.com](mailto:usasales@power.com)

**China (Shanghai)**

Rm 2410, Charity Plaza, No. 88  
North Caoxi Road  
Shanghai, PRC 200030  
Phone: +86-21-6354-6323  
Fax: +86-21-6354-6325  
e-mail: [chinasales@power.com](mailto:chinasales@power.com)

**China (Shenzhen)**

17/F, Hivac Building, No. 2, Keji Nan  
8th Road, Nanshan District,  
Shenzhen, China, 518057  
Phone: +86-755-8672-8689  
Fax: +86-755-8672-8690  
e-mail: [chinasales@power.com](mailto:chinasales@power.com)

**Germany**

Lindwurmstrasse 114  
80337 Munich  
Germany  
Phone: +49-895-527-39110  
Fax: +49-895-527-39200  
e-mail: [eurosales@power.com](mailto:eurosales@power.com)

**India**

#1, 14th Main Road  
Vasanthanagar  
Bangalore-560052 India  
Phone: +91-80-4113-8020  
Fax: +91-80-4113-8023  
e-mail: [indiasales@power.com](mailto:indiasales@power.com)

**Italy**

Via Milanese 20, 3rd. Fl.  
20099 Sesto San Giovanni (MI)  
Italy  
Phone: +39-024-550-8701  
Fax: +39-028-928-6009  
e-mail: [eurosales@power.com](mailto:eurosales@power.com)

**Japan**

Kosei Dai-3 Bldg.  
2-12-11, Shin-Yokohama,  
Kohoku-ku  
Yokohama-shi Kanagwan  
222-0033 Japan  
Phone: +81-45-471-1021  
Fax: +81-45-471-3717  
e-mail: [japansales@power.com](mailto:japansales@power.com)

**Korea**

RM 602, 6FL  
Korea City Air Terminal B/D, 159-6  
Samsung-Dong, Kangnam-Gu,  
Seoul, 135-728, Korea  
Phone: +82-2-2016-6610  
Fax: +82-2-2016-6630  
e-mail: [koreasales@power.com](mailto:koreasales@power.com)

**Singapore**

51 Newton Road  
#19-01/05 Goldhill Plaza  
Singapore, 308900  
Phone: +65-6358-2160  
Fax: +65-6358-2015  
e-mail: [singaporesales@power.com](mailto:singaporesales@power.com)

**Taiwan**

5F, No. 318, Nei Hu Rd., Sec. 1  
Nei Hu Dist.  
Taipei 11493, Taiwan R.O.C.  
Phone: +886-2-2659-4570  
Fax: +886-2-2659-4550  
e-mail: [taiwansales@power.com](mailto:taiwansales@power.com)

**UK**

First Floor, Unit 15, Meadway Court,  
Rutherford Close,  
Stevenage, Herts. SG1 2EF  
United Kingdom  
Phone: +44 (0) 1252-730-141  
Fax: +44 (0) 1252-727-689  
e-mail: [eurosales@power.com](mailto:eurosales@power.com)



Компания «ЭлектроПласт» предлагает заключение долгосрочных отношений при поставках импортных электронных компонентов на взаимовыгодных условиях!

Наши преимущества:

- Оперативные поставки широкого спектра электронных компонентов отечественного и импортного производства напрямую от производителей и с крупнейших мировых складов;
- Поставка более 17-ти миллионов наименований электронных компонентов;
- Поставка сложных, дефицитных, либо снятых с производства позиций;
- Оперативные сроки поставки под заказ (от 5 рабочих дней);
- Экспресс доставка в любую точку России;
- Техническая поддержка проекта, помощь в подборе аналогов, поставка прототипов;
- Система менеджмента качества сертифицирована по Международному стандарту ISO 9001;
- Лицензия ФСБ на осуществление работ с использованием сведений, составляющих государственную тайну;
- Поставка специализированных компонентов (Xilinx, Altera, Analog Devices, Intersil, Interpoint, Microsemi, Aeroflex, Peregrine, Syfer, Eurofarad, Texas Instrument, Miteq, Cobham, E2V, MA-COM, Hittite, Mini-Circuits, General Dynamics и др.);

Помимо этого, одним из направлений компании «ЭлектроПласт» является направление «Источники питания». Мы предлагаем Вам помощь Конструкторского отдела:

- Подбор оптимального решения, техническое обоснование при выборе компонента;
- Подбор аналогов;
- Консультации по применению компонента;
- Поставка образцов и прототипов;
- Техническая поддержка проекта;
- Защита от снятия компонента с производства.



#### Как с нами связаться

**Телефон:** 8 (812) 309 58 32 (многоканальный)

**Факс:** 8 (812) 320-02-42

**Электронная почта:** [org@eplast1.ru](mailto:org@eplast1.ru)

**Адрес:** 198099, г. Санкт-Петербург, ул. Калинина, дом 2, корпус 4, литера А.