

# EE-SX77/87

## Slim, Compact Photomicrosensor that is still easy to use.

- Compact, thin profile enables dense mounting.
- Indicator is visible from both sides.
- Wide operating voltage range: 5 to 24 VDC



For the most recent information on models that have been certified for safety standards, refer to your OMRON website.

Be sure to read *Safety Precautions* on page 4.

## Ordering Information

Pre-wired Models  Infrared light

| Appearance   | Sensing method                | Cable length      | Sensing distance         |                   | Output configuration | Indicator mode    | Model             |              |
|--------------|-------------------------------|-------------------|--------------------------|-------------------|----------------------|-------------------|-------------------|--------------|
|              |                               |                   |                          |                   |                      |                   | NPN output        | PNP output   |
| Standard<br> | Through-beam type (with slot) | 2 m               | <input type="checkbox"/> | 5 mm (slot width) | Dark-ON              | Incident light    | EE-SX770 2M       | EE-SX770P 2M |
|              |                               |                   |                          |                   |                      | No incident light | EE-SX770A 2M      | EE-SX770R 2M |
| Light-ON     |                               |                   |                          |                   | Incident light       | EE-SX870 2M       | EE-SX870P 2M      |              |
|              |                               |                   |                          |                   | No incident light    | EE-SX870A 2M      | EE-SX870R 2M      |              |
| L-shaped<br> |                               |                   |                          |                   | Dark-ON              | Incident light    | EE-SX771 2M       | EE-SX771P 2M |
|              |                               |                   |                          |                   |                      |                   | No incident light | EE-SX771A 2M |
| T-shaped<br> | Light-ON                      | Incident light    | EE-SX871 2M              | EE-SX871P 2M      |                      |                   |                   |              |
|              |                               |                   | No incident light        | EE-SX871A 2M      | EE-SX871R 2M         |                   |                   |              |
| Dark-ON      | Incident light                | EE-SX772 2M       | EE-SX772P 2M             |                   |                      |                   |                   |              |
|              |                               | No incident light | EE-SX772A 2M             | EE-SX772R 2M      |                      |                   |                   |              |
| Light-ON     | Incident light                | EE-SX872 2M       | EE-SX872P 2M             |                   |                      |                   |                   |              |
|              |                               | No incident light | EE-SX872A 2M             | EE-SX872R 2M      |                      |                   |                   |              |

## Ratings and Specifications

| Item                             | Type       | Standard   | L-shaped                                   | T-shaped                                   |
|----------------------------------|------------|--|--|--|
|                                  |            | NPN models   | EE-SX770/EE-SX870<br>EE-SX770A/EE-SX870A   | EE-SX771/EE-SX871<br>EE-SX771A/EE-SX871A   |
|                                  | PNP models | EE-SX770P/EE-SX870P<br>EE-SX770R/EE-SX870R   | EE-SX771P/EE-SX871P<br>EE-SX771R/EE-SX871R | EE-SX772P/EE-SX872P<br>EE-SX772R/EE-SX872R |
| <b>Sensing distance</b>          |            | 5 mm (slot width)  |  |  |
| <b>Sensing object</b>            |            | Opaque: 2 × 0.8 mm min.  |  |  |
| <b>Differential distance</b>     |            | 0.025 mm   |  |  |
| <b>Light source</b>              |            | GaAs infrared LED with a peak wavelength of 940 nm   |  |  |
| <b>Indicator</b>                 |            | Light indicator (red) (turns ON when light is interrupted for models with A or R suffix)   |  |  |
| <b>Supply voltage</b>            |            | 5 to 24 VDC ±10%, ripple (p-p): 10% max.   |  |  |
| <b>Current consumption</b>       |            | 35 mA max. (NPN models), 30 mA max. (PNP models)   |  |  |
| <b>Control output</b>            |            | NPN open collector: 5 to 24 VDC, 100 mA max.<br>100 mA load current with a residual voltage of 0.8 V max.<br>40 mA load current with a residual voltage of 0.4 V max.<br>OFF current (leakage current): 0.5 mA max.<br>PNP open collector: 5 to 24 VDC, 50 mA max.<br>50 mA load current with a residual voltage of 1.3 V max.<br>OFF current (leakage current): 0.5 mA max. |  |  |
| <b>Response frequency *</b>      |            | 1 kHz min. (3 kHz average)   |  |  |
| <b>Ambient illumination</b>      |            | 1,000 lx max. with fluorescent light on the surface of the receiver  |  |  |
| <b>Ambient temperature range</b> |            | Operating: -25 to +55°C<br>Storage: -30 to +80°C (with no icing)   |  |  |
| <b>Ambient humidity range</b>    |            | Operating: 5% to 85%<br>Storage: 5% to 95% (with no condensation)  |  |  |
| <b>Vibration resistance</b>      |            | Destruction: 20 to 2,000 Hz (peak acceleration: 100 m/s <sup>2</sup> )<br>1.5-mm double amplitude for 2 h (4-min periods) each in X, Y, and Z directions   |  |  |
| <b>Shock resistance</b>          |            | Destruction: 500 m/s <sup>2</sup> for 3 times each in X, Y, and Z directions   |  |  |
| <b>Degree of protection</b>      |            | IEC60529 IP60  |  |  |
| <b>Connecting method</b>         |            | Pre-wired (standard cable length: 2 m)   |  |  |
| <b>Weight (packaged)</b>         |            | Approx. 20 g   |  |  |
| <b>Material</b>                  |            | Case: Polybutylene phthalate (PBT)   |  |  |

\* The response frequency was measured by detecting the following rotating disk.



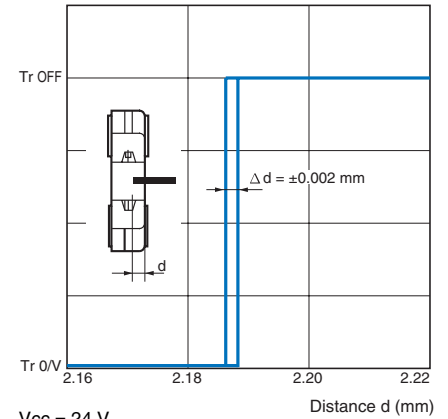
Engineering Data (Reference Value)

Sensing Position Characteristics

Sensing Position Characteristics

Repeated Sensing Position Characteristics

EE-SX770



Vcc = 24 V  
 No. of repetitions: 20, Ta = 25°C  
 Note: The data applies to dark status. Operation may be affected by external light interference or light coming through the sensing object.

I/O Circuit Diagrams

NPN Output

| Model                               | Output configuration | Timing charts  | Output circuit |
|-------------------------------------|----------------------|--|----------------|
| EE-SX770<br>EE-SX771<br>EE-SX772    | Dark-ON              | Incident Interrupted<br>Light indicator (red) ON OFF<br>Output transistor ON OFF<br>Load (e.g., relay) Operates Releases |                |
| EE-SX870<br>EE-SX871<br>EE-SX872    | Light-ON             | Incident Interrupted<br>Light indicator (red) ON OFF<br>Output transistor ON OFF<br>Load (e.g., relay) Operates Releases |                |
| EE-SX770A<br>EE-SX771A<br>EE-SX772A | Dark-ON              | Incident Interrupted<br>Light indicator (red) ON OFF<br>Output transistor ON OFF<br>Load (e.g., relay) Operates Releases |                |
| EE-SX870A<br>EE-SX871A<br>EE-SX872A | Light-ON             | Incident Interrupted<br>Light indicator (red) ON OFF<br>Output transistor ON OFF<br>Load (e.g., relay) Operates Releases |                |

PNP Output

| Model                               | Output configuration | Timing chart | Output circuit |
|-------------------------------------|----------------------|--------------|----------------|
| EE-SX770P<br>EE-SX771P<br>EE-SX772P | Dark-ON              |              |                |
| EE-SX870P<br>EE-SX871P<br>EE-SX872P | Light-ON             |              |                |
| EE-SX770R<br>EE-SX771R<br>EE-SX772R | Dark-ON              |              |                |
| EE-SX870R<br>EE-SX871R<br>EE-SX872R | Light-ON             |              |                |

Safety Precautions

Refer to *Warranty and Limitations of Liability*.

**⚠ WARNING**

This product is not designed or rated for ensuring safety of persons either directly or indirectly. Do not use it for such purposes.

**Precautions for Correct Use**

Make sure that this product is used within the rated ambient environment conditions.

## Dimensions

Tolerance class IT16 applies to dimensions in this datasheet unless otherwise specified.

### Standard

EE-SX770/770P  
 EE-SX870/870P  
 EE-SX770A/770R  
 EE-SX870A/870R



### L-shaped

EE-SX771/771P  
 EE-SX871/871P  
 EE-SX771A/771R  
 EE-SX871A/871R



### T-shaped

EE-SX772/772P  
 EE-SX872/872P  
 EE-SX772A/772R  
 EE-SX872A/872R



## Read and Understand This Catalog

Please read and understand this catalog before purchasing the products. Please consult your OMRON representative if you have any questions or comments.

## Warranty and Limitations of Liability

### WARRANTY

OMRON's exclusive warranty is that the products are free from defects in materials and workmanship for a period of one year (or other period if specified) from date of sale by OMRON.

OMRON MAKES NO WARRANTY OR REPRESENTATION, EXPRESS OR IMPLIED, REGARDING NON-INFRINGEMENT, MERCHANTABILITY, OR FITNESS FOR PARTICULAR PURPOSE OF THE PRODUCTS. ANY BUYER OR USER ACKNOWLEDGES THAT THE BUYER OR USER ALONE HAS DETERMINED THAT THE PRODUCTS WILL SUITABLY MEET THE REQUIREMENTS OF THEIR INTENDED USE. OMRON DISCLAIMS ALL OTHER WARRANTIES, EXPRESS OR IMPLIED.

### LIMITATIONS OF LIABILITY

OMRON SHALL NOT BE RESPONSIBLE FOR SPECIAL, INDIRECT, OR CONSEQUENTIAL DAMAGES, LOSS OF PROFITS OR COMMERCIAL LOSS IN ANY WAY CONNECTED WITH THE PRODUCTS, WHETHER SUCH CLAIM IS BASED ON CONTRACT, WARRANTY, NEGLIGENCE, OR STRICT LIABILITY.

In no event shall the responsibility of OMRON for any act exceed the individual price of the product on which liability is asserted.

IN NO EVENT SHALL OMRON BE RESPONSIBLE FOR WARRANTY, REPAIR, OR OTHER CLAIMS REGARDING THE PRODUCTS UNLESS OMRON'S ANALYSIS CONFIRMS THAT THE PRODUCTS WERE PROPERLY HANDLED, STORED, INSTALLED, AND MAINTAINED AND NOT SUBJECT TO CONTAMINATION, ABUSE, MISUSE, OR INAPPROPRIATE MODIFICATION OR REPAIR.

## Application Considerations

### SUITABILITY FOR USE

OMRON shall not be responsible for conformity with any standards, codes, or regulations that apply to the combination of products in the customer's application or use of the products.

At the customer's request, OMRON will provide applicable third party certification documents identifying ratings and limitations of use that apply to the products. This information by itself is not sufficient for a complete determination of the suitability of the products in combination with the end product, machine, system, or other application or use.

The following are some examples of applications for which particular attention must be given. This is not intended to be an exhaustive list of all possible uses of the products, nor is it intended to imply that the uses listed may be suitable for the products:

- Outdoor use, uses involving potential chemical contamination or electrical interference, or conditions or uses not described in this catalog.
- Nuclear energy control systems, combustion systems, railroad systems, aviation systems, medical equipment, amusement machines, vehicles, safety equipment, and installations subject to separate industry or government regulations.
- Systems, machines, and equipment that could present a risk to life or property.

Please know and observe all prohibitions of use applicable to the products.

NEVER USE THE PRODUCTS FOR AN APPLICATION INVOLVING SERIOUS RISK TO LIFE OR PROPERTY WITHOUT ENSURING THAT THE SYSTEM AS A WHOLE HAS BEEN DESIGNED TO ADDRESS THE RISKS, AND THAT THE OMRON PRODUCTS ARE PROPERLY RATED AND INSTALLED FOR THE INTENDED USE WITHIN THE OVERALL EQUIPMENT OR SYSTEM.

### PROGRAMMABLE PRODUCTS

OMRON shall not be responsible for the user's programming of a programmable product, or any consequence thereof.

## Disclaimers

### CHANGE IN SPECIFICATIONS

Product specifications and accessories may be changed at any time based on improvements and other reasons.

It is our practice to change model numbers when published ratings or features are changed, or when significant construction changes are made. However, some specifications of the products may be changed without any notice. When in doubt, special model numbers may be assigned to fix or establish key specifications for your application on your request. Please consult with your OMRON representative at any time to confirm actual specifications of purchased products.

### DIMENSIONS AND WEIGHTS

Dimensions and weights are nominal and are not to be used for manufacturing purposes, even when tolerances are shown.

### PERFORMANCE DATA

Performance data given in this catalog is provided as a guide for the user in determining suitability and does not constitute a warranty. It may represent the result of OMRON's test conditions, and the users must correlate it to actual application requirements. Actual performance is subject to the OMRON Warranty and Limitations of Liability.

### ERRORS AND OMISSIONS

The information in this document has been carefully checked and is believed to be accurate; however, no responsibility is assumed for clerical, typographical, or proofreading errors, or omissions.

2012.8

In the interest of product improvement, specifications are subject to change without notice.

**OMRON Corporation**  
Industrial Automation Company

<http://www.ia.omron.com/>

(c)Copyright OMRON Corporation 2012 All Right Reserved.



Компания «ЭлектроПласт» предлагает заключение долгосрочных отношений при поставках импортных электронных компонентов на взаимовыгодных условиях!

Наши преимущества:

- Оперативные поставки широкого спектра электронных компонентов отечественного и импортного производства напрямую от производителей и с крупнейших мировых складов;
- Поставка более 17-ти миллионов наименований электронных компонентов;
- Поставка сложных, дефицитных, либо снятых с производства позиций;
- Оперативные сроки поставки под заказ (от 5 рабочих дней);
- Экспресс доставка в любую точку России;
- Техническая поддержка проекта, помощь в подборе аналогов, поставка прототипов;
- Система менеджмента качества сертифицирована по Международному стандарту ISO 9001;
- Лицензия ФСБ на осуществление работ с использованием сведений, составляющих государственную тайну;
- Поставка специализированных компонентов (Xilinx, Altera, Analog Devices, Intersil, Interpoint, Microsemi, Aeroflex, Peregrine, Syfer, Eurofarad, Texas Instrument, Miteq, Cobham, E2V, MA-COM, Hittite, Mini-Circuits, General Dynamics и др.);

Помимо этого, одним из направлений компании «ЭлектроПласт» является направление «Источники питания». Мы предлагаем Вам помощь Конструкторского отдела:

- Подбор оптимального решения, техническое обоснование при выборе компонента;
- Подбор аналогов;
- Консультации по применению компонента;
- Поставка образцов и прототипов;
- Техническая поддержка проекта;
- Защита от снятия компонента с производства.



#### Как с нами связаться

**Телефон:** 8 (812) 309 58 32 (многоканальный)

**Факс:** 8 (812) 320-02-42

**Электронная почта:** [org@eplast1.ru](mailto:org@eplast1.ru)

**Адрес:** 198099, г. Санкт-Петербург, ул. Калинина, дом 2, корпус 4, литера А.