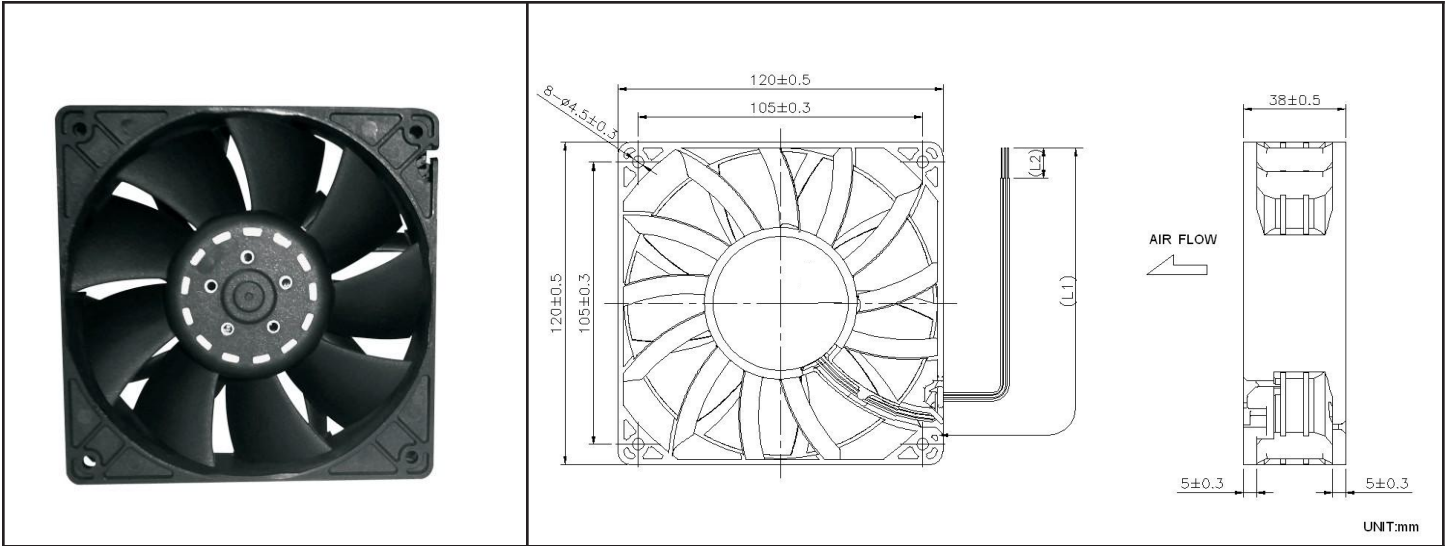


# OD1238 XJ Series

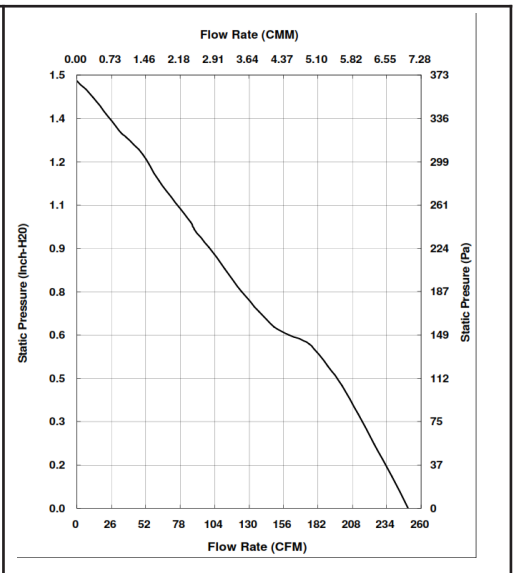


DC Fan 12V

120x38mm (4.7"x 1.5")

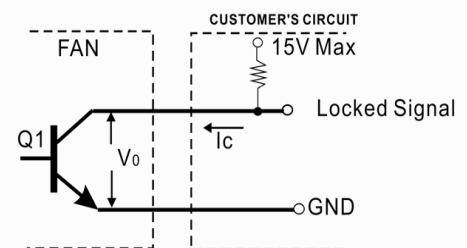


|                       |   |   |
|-----------------------|---|---|
| Frame & Impeller      | PBT, UL94V-O plastic                            | Tachometer - Open Collector<br><br>Weight: ~ 375 g<br><br>* Connection<br>UL1007, 24AWG, ~320mm<br>Red (+)<br>Black (-)<br>White Tachometer<br><br>m1 |
| Connecion             | 3x Lead wires *                                 |   |
| Motor                 | Brushless DC, auto restart, polarity protected. |   |
| Bearing System        | Dual ball bearing                               |   |
| Insulation Resistance | Min. 10M at 500VDC                              |   |
| Dielectric Strength   | 1 minute at 500 VAC, max leakage < 500 MicroAmp |   |
| Temperature Range     | -10C ~ +70C                                     |   |
| Storage Temperature   | -40C ~ +80C                                     |   |
| Life (L10)            | 70,000 hours (40C)                              |   |



|                      |                        |
|----------------------|------------------------|
| Part Number          | OD1238-12HBXJ01A       |
| Nominal Voltage      | 12V DC                 |
| Voltage Range        | 7 ~ 13.2V DC           |
| Rated Current        | 3.70 A                 |
| Rated Power          | 44.4 W                 |
| Rated Speed (RPM)    | 6000                   |
| Airflow (CFM)        | 250                    |
| Noise Level (dB)     | 69                     |
| Max. Static Pressure | 1.48" H <sub>2</sub> O |

\*Output type.....Open collector type  
 \*Electrical design suggestion:



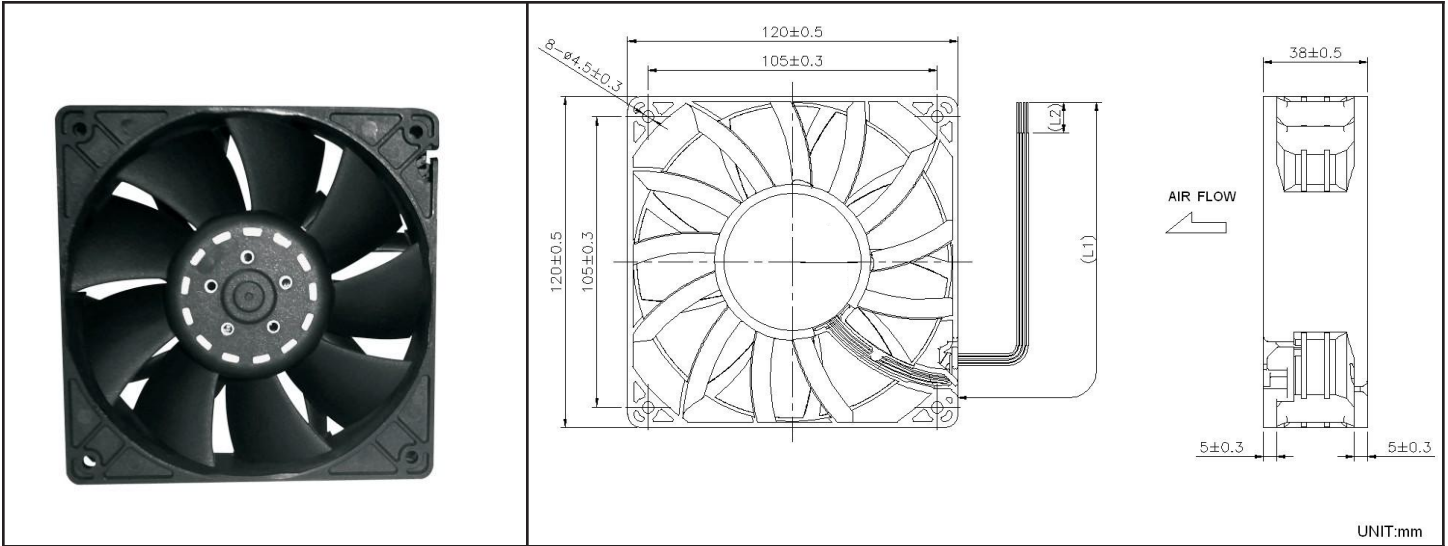
\*Transistor Q1 at "ON" position  
 Collector current.....I<sub>c</sub>=10mA Max  
 Saturation Voltage.....V<sub>OL</sub>=1.0V Max  
 (Between Collector and Emitter at I<sub>c</sub>=10mA)  
 \*Transistor Q1 at "OFF" position  
 Release Voltage.....V<sub>OH</sub>=15V Max

# OD1238 XJ Series



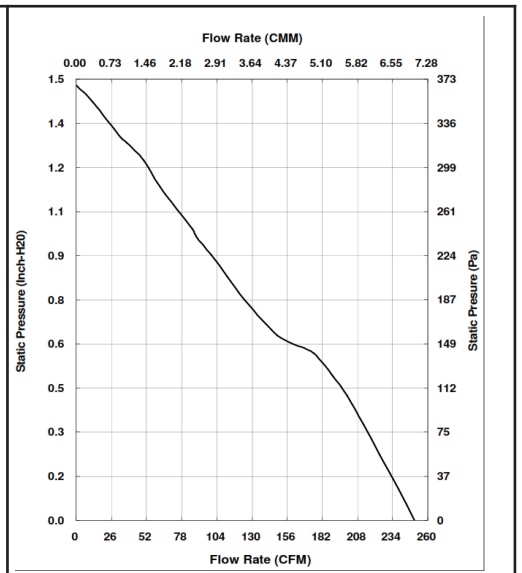
DC Fan 12V

120x38mm (4.7"x 1.5")

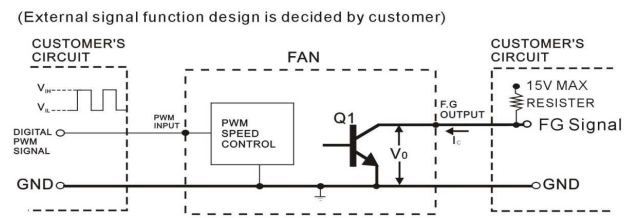


|                       |   |
|-----------------------|---|
| Frame & Impeller      | PBT, UL94V-O plastic                            |
| Connecion             | 4x Lead wires *                                 |
| Motor                 | Brushless DC, auto restart, polarity protected. |
| Bearing System        | Dual ball bearing                               |
| Insulation Resistance | Min. 10M at 500VDC                              |
| Dielectric Strength   | 1 minute at 500 VAC, max leakage < 500 MicroAmp |
| Temperature Range     | -10C ~ +70C                                     |
| Storage Temperature   | -40C ~ +80C                                     |
| Life (L10)            | 70,000 hours (40C)                              |

Tachometer - Open Collector PWM  
 Weight: ~ 375 g  
 \* Connection  
 UL1007, 24AWG, ~320mm  
 Red (+)  
 Black (-)  
 White Tachometer  
 Blue PWM  
 m1



|                      |                        |
|----------------------|------------------------|
| Part Number          | OD1238-12HBXJ10A       |
| Nominal Voltage      | 12V DC                 |
| Voltage Range        | 7 ~ 13.2V DC           |
| Rated Current        | 3.70 A                 |
| Rated Power          | 44.4 W                 |
| Rated Speed (RPM)    | 6000                   |
| Airflow (CFM)        | 250                    |
| Noise Level (dB)     | 69                     |
| Max. Static Pressure | 1.48" H <sub>2</sub> O |



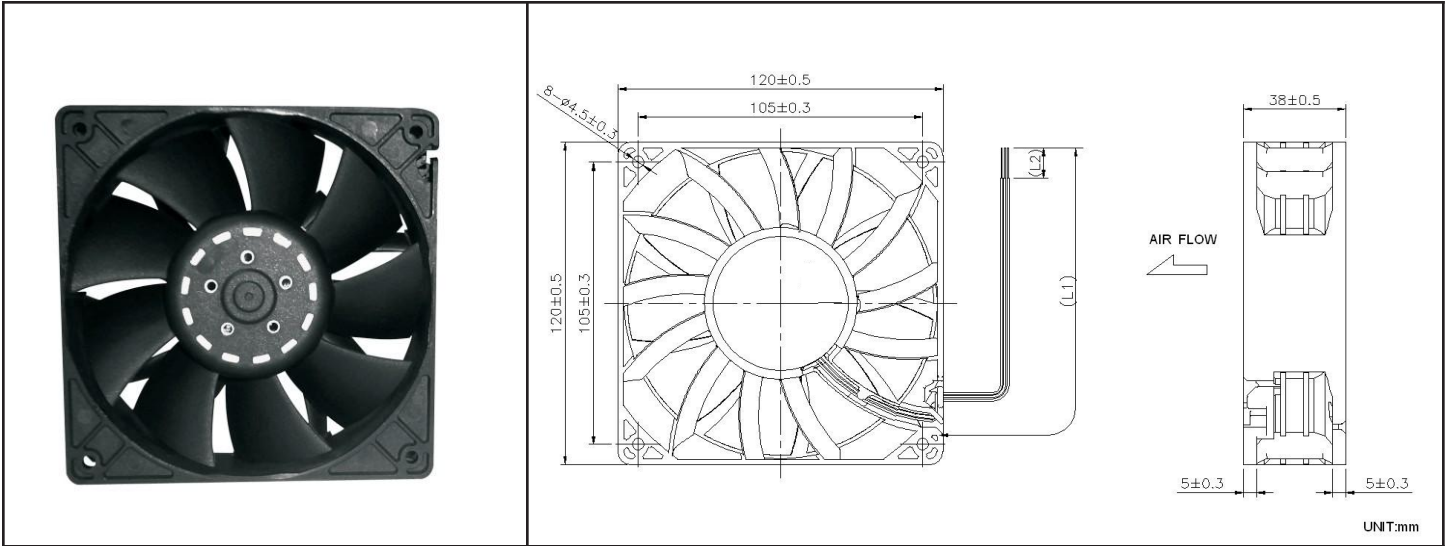
- \*TRANSISTOR Q1 AT "ON" POSITION  
 COLLECTOR CURRENT----- I<sub>c</sub> = 10mA MAX  
 SATURATION VOLTAGE----- V<sub>OL</sub> = 1 V MAX
- \*TRANSISTOR Q1 AT "OFF" POSITION  
 RELEASE VOLTAGE----- V<sub>OH</sub> = 15 V MAX
- \*DIGITAL PWM SPEED CONTROL POSITION  
 PWM INPUT VOLTAGE HIGH----- V<sub>H</sub> = 3V~5.5 V  
 PWM INPUT VOLTAGE LOW----- V<sub>IL</sub> = 0V~0.5V
- \*PWM INPUT FREQUENCY----- FPWM: 18KHZ~30KHZ

# OD1238 XJ Series

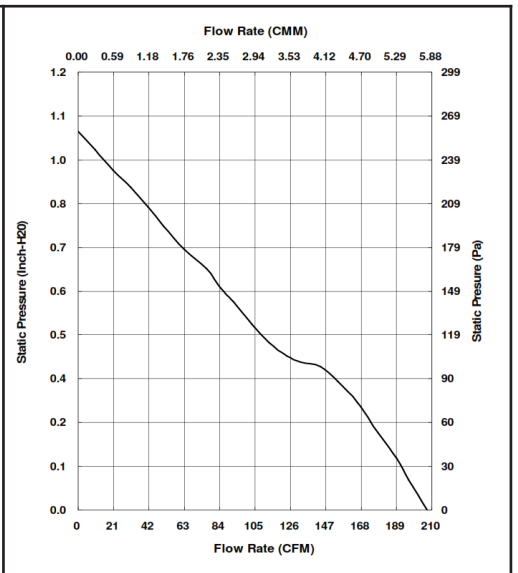


DC Fan 12V

120x38mm (4.7"x 1.5")

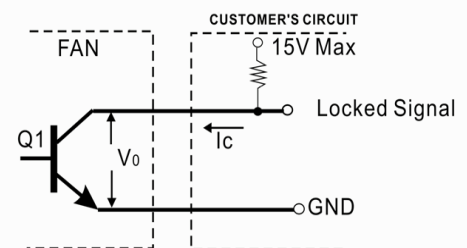


|                       |   |   |
|-----------------------|---|---|
| Frame & Impeller      | PBT, UL94V-O plastic                            | Tachometer - Open Collector<br><br>Weight: ~ 375 g<br><br>* Connection<br>UL1007, 24AWG, ~320mm<br>Red (+)<br>Black (-)<br>White Tachometer<br><br>m1 |
| Connecion             | 3x Lead wires *                                 |   |
| Motor                 | Brushless DC, auto restart, polarity protected. |   |
| Bearing System        | Dual ball bearing                               |   |
| Insulation Resistance | Min. 10M at 500VDC                              |   |
| Dielectric Strength   | 1 minute at 500 VAC, max leakage < 500 MicroAmp |   |
| Temperature Range     | -10C ~ +70C                                     |   |
| Storage Temperature   | -40C ~ +80C                                     |   |
| Life (L10)            | 70,000 hours (40C)                              |   |



|                      |                        |
|----------------------|------------------------|
| Part Number          | OD1238-12MBXJ01A       |
| Nominal Voltage      | 12V DC                 |
| Voltage Range        | 7 ~ 13.2V DC           |
| Rated Current        | 2.30 A                 |
| Rated Power          | 27.6 W                 |
| Rated Speed (RPM)    | 5000                   |
| Airflow (CFM)        | 207                    |
| Noise Level (dB)     | 63                     |
| Max. Static Pressure | 1.04" H <sub>2</sub> O |

\*Output type.....Open collector type  
 \*Electrical design suggestion:



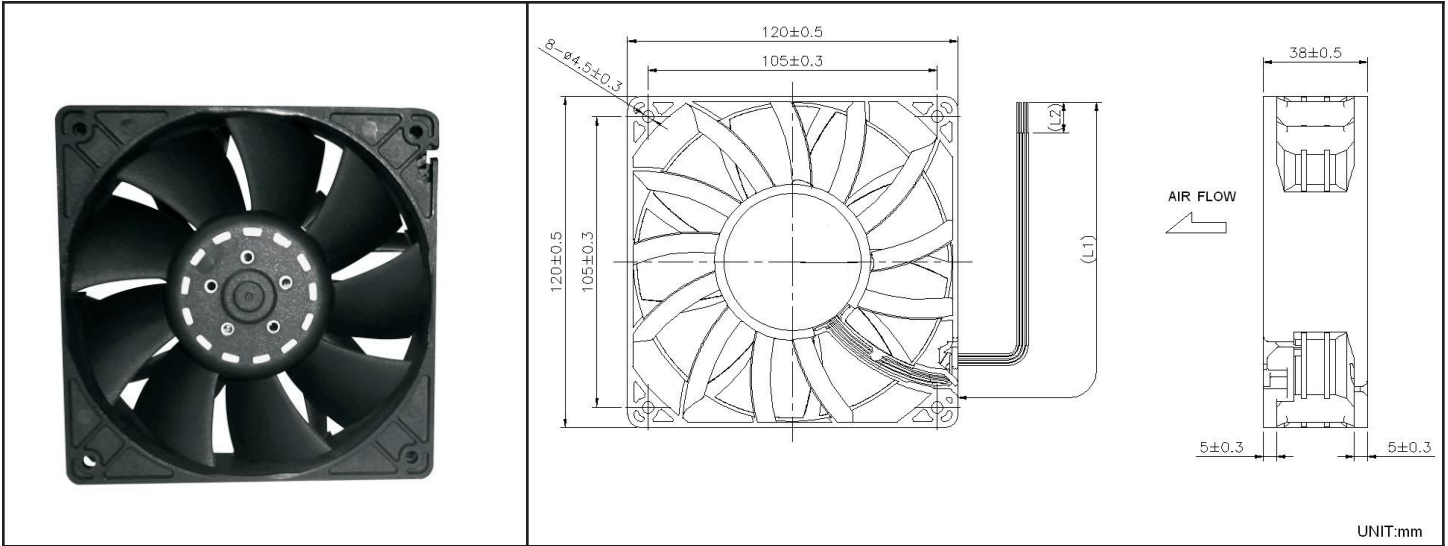
\*Transistor Q1 at "ON" position  
 Collector current.....I<sub>c</sub>=10mA Max  
 Saturation Voltage.....V<sub>OL</sub>=1.0V Max  
 (Between Collector and Emitter at I<sub>c</sub>=10mA)  
 \*Transistor Q1 at "OFF" position  
 Release Voltage.....V<sub>OH</sub>=15V Max

# OD1238 XJ Series

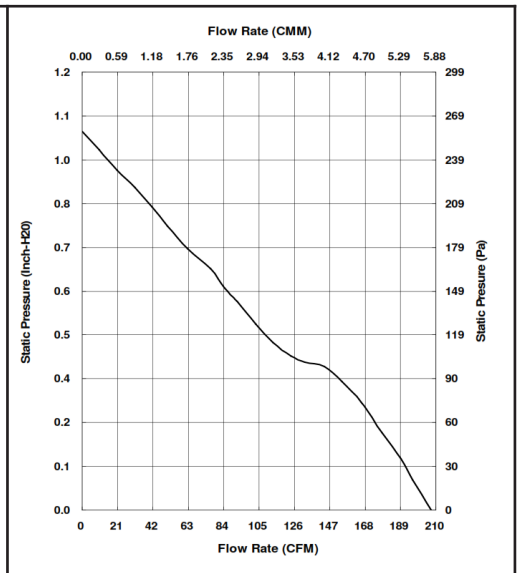


DC Fan 12V

120x38mm (4.7"x 1.5")

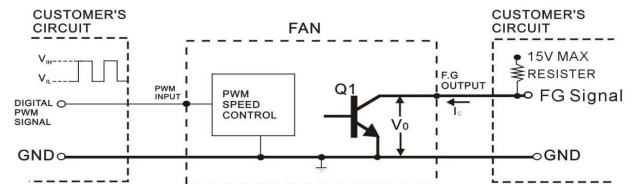


|                       |   |   |
|-----------------------|---|---|
| Frame & Impeller      | PBT, UL94V-O plastic                            | Tachometer - Open Collector PWM<br><br>Weight: ~ 375 g<br><br>* Connection<br>UL1007, 24AWG, ~320mm<br>Red (+)<br>Black (-)<br>White Tachometer<br>Blue PWM |
| Connecion             | 4x Lead wires *                                 |   |
| Motor                 | Brushless DC, auto restart, polarity protected. |   |
| Bearing System        | Dual ball bearing                               |   |
| Insulation Resistance | Min. 10M at 500VDC                              |   |
| Dielectric Strength   | 1 minute at 500 VAC, max leakage < 500 MicroAmp |   |
| Temperature Range     | -10C ~ +70C                                     |   |
| Storage Temperature   | -40C ~ +80C                                     |   |
| Life (L10)            | 70,000 hours (40C)                              |   |
|                       |   |   |



|                      |                        |
|----------------------|------------------------|
| Part Number          | OD1238-12MBXJ10A       |
| Nominal Voltage      | 12V DC                 |
| Voltage Range        | 7 ~ 13.2V DC           |
| Rated Current        | 2.30 A                 |
| Rated Power          | 27.6 W                 |
| Rated Speed (RPM)    | 5000                   |
| Airflow (CFM)        | 207                    |
| Noise Level (dB)     | 63                     |
| Max. Static Pressure | 1.04" H <sub>2</sub> O |

(External signal function design is decided by customer)



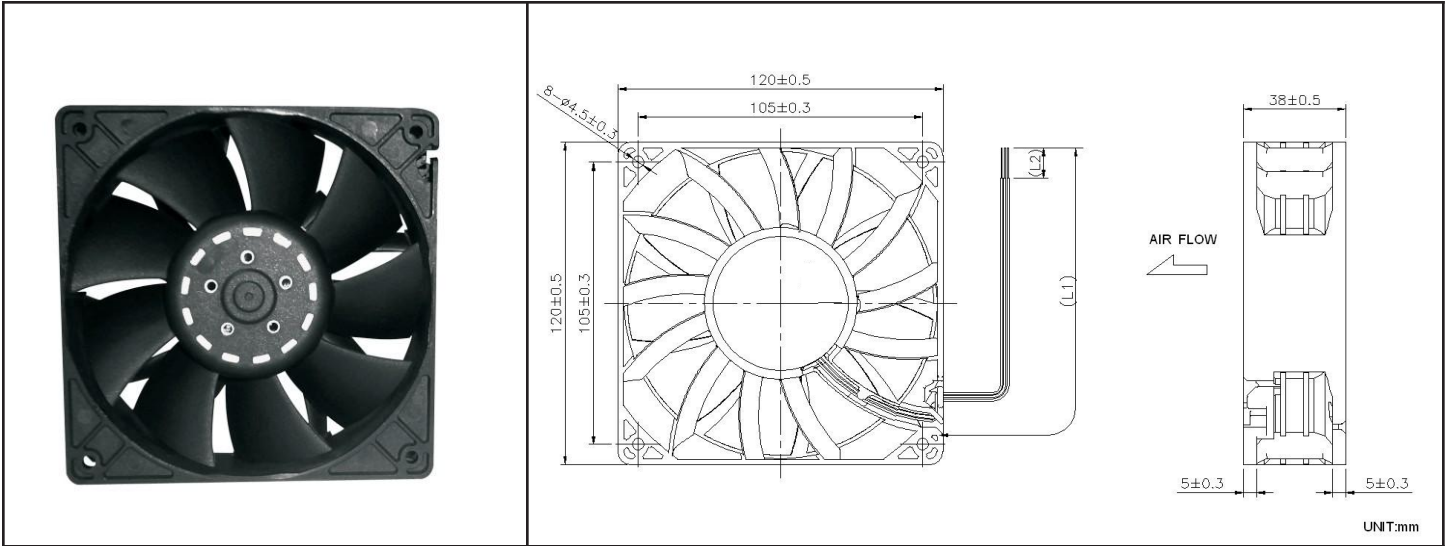
- \*TRANSISTOR Q1 AT "ON" POSITION  
COLLECTOR CURRENT----- I<sub>c</sub> = 10mA MAX  
SATURATION VOLTAGE----- V<sub>OL</sub> = 1 V MAX
- \*TRANSISTOR Q1 AT "OFF" POSITION  
RELEASE VOLTAGE----- V<sub>OH</sub> = 15 V MAX
- \*DIGITAL PWM SPEED CONTROL POSITION  
PWM INPUT VOLTAGE HIGH----- V<sub>H</sub> = 3V~5.5 V  
PWM INPUT VOLTAGE LOW----- V<sub>IL</sub> = 0V~0.5V
- \*PWM INPUT FREQUENCY----- FPWM: 18KHZ~30KHZ

# OD1238-24HBXJ01A

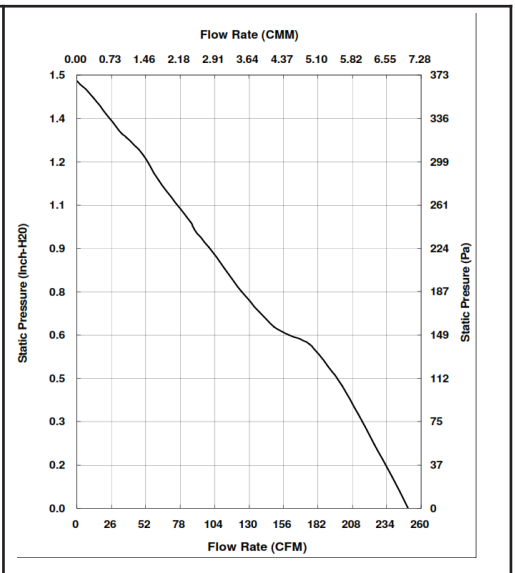


DC Fan 24V

120x38mm (4.7"x 1.5")

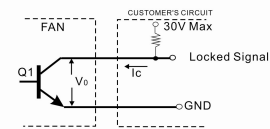


|                       |   |   |
|-----------------------|---|---|
| Frame & Impeller      | PBT, UL94V-O plastic                            | Tachometer - Open Collector<br><br>Weight: ~ 375 g<br><br>* Connection<br>UL1007, 24AWG, ~320mm<br>Red (+)<br>Black (-)<br>White Tachometer<br><br>m1 |
| Connecion             | 3x Lead wires *                                 |   |
| Motor                 | Brushless DC, auto restart, polarity protected. |   |
| Bearing System        | Dual ball bearing                               |   |
| Insulation Resistance | Min. 10M at 500VDC                              |   |
| Dielectric Strength   | 1 minute at 500 VAC, max leakage < 500 MicroAmp |   |
| Temperature Range     | -10C ~ +70C                                     |   |
| Storage Temperature   | -40C ~ +80C                                     |   |
| Life (L10)            | 70,000 hours (40C)                              |   |

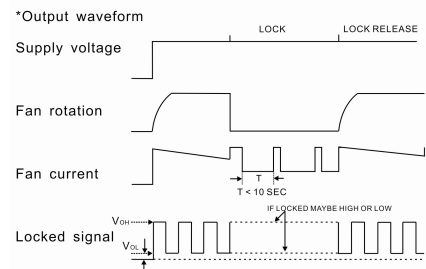


|                      |                  |
|----------------------|------------------|
| Part Number          | OD1238-24HBXJ01A |
| Nominal Voltage      | 24V DC           |
| Voltage Range        | 17 ~ 26.4V DC    |
| Nominal Current      | 1.75 A           |
| Nominal Power        | 42 W             |
| Rated Speed (RPM)    | 6000             |
| Airflow (CFM)        | 250              |
| Noise Level (dB)     | 69               |
| Max. Static Pressure | 1.48" H2O        |

\*Output type.....Open collector type  
 \*Electrical design suggestion:  
 (External signal function design is decided by customer)



\*Transistor Q1 at "ON" position  
 Collector current..... $I_c=10mA$  Max  
 Saturation Voltage..... $V_{ce}=1.0V$  Max  
 (Between Collector and Emitter at  $I_c=10mA$ )  
 \*Transistor Q1 at "OFF" position  
 Release Voltage..... $V_{ce}=30V$  Max





Компания «ЭлектроПласт» предлагает заключение долгосрочных отношений при поставках импортных электронных компонентов на взаимовыгодных условиях!

Наши преимущества:

- Оперативные поставки широкого спектра электронных компонентов отечественного и импортного производства напрямую от производителей и с крупнейших мировых складов;
- Поставка более 17-ти миллионов наименований электронных компонентов;
- Поставка сложных, дефицитных, либо снятых с производства позиций;
- Оперативные сроки поставки под заказ (от 5 рабочих дней);
- Экспресс доставка в любую точку России;
- Техническая поддержка проекта, помощь в подборе аналогов, поставка прототипов;
- Система менеджмента качества сертифицирована по Международному стандарту ISO 9001;
- Лицензия ФСБ на осуществление работ с использованием сведений, составляющих государственную тайну;
- Поставка специализированных компонентов (Xilinx, Altera, Analog Devices, Intersil, Interpoint, Microsemi, Aeroflex, Peregrine, Syfer, Eurofarad, Texas Instrument, Miteq, Cobham, E2V, MA-COM, Hittite, Mini-Circuits, General Dynamics и др.);

Помимо этого, одним из направлений компании «ЭлектроПласт» является направление «Источники питания». Мы предлагаем Вам помощь Конструкторского отдела:

- Подбор оптимального решения, техническое обоснование при выборе компонента;
- Подбор аналогов;
- Консультации по применению компонента;
- Поставка образцов и прототипов;
- Техническая поддержка проекта;
- Защита от снятия компонента с производства.



#### Как с нами связаться

**Телефон:** 8 (812) 309 58 32 (многоканальный)

**Факс:** 8 (812) 320-02-42

**Электронная почта:** [org@eplast1.ru](mailto:org@eplast1.ru)

**Адрес:** 198099, г. Санкт-Петербург, ул. Калинина, дом 2, корпус 4, литера А.