

CMOS Photoelectric Smoke Detector ASIC with Interconnect and Timer Mode

Features

- Internal Power-On Reset
- Low Quiescent Current Consumption
- ESD Protection on all Pins
- Interconnect up to 40 Detectors
- 10 Minute Timer for Sensitivity Control
- 75% Duty Cycle Horn Pattern
- Internal Low Battery and Chamber Test
- Compatible with Allegro A5358
- UL Recognized per File S24036

General Description

The RE46C144 is a low-power, CMOS photoelectric-type smoke detector IC. With minimal external components, this circuit will provide all the required features for a photoelectric-type smoke detector.

The design incorporates a gain selectable photo amplifier for use with an infrared emitter/detector pair.

An internal oscillator strobes power to the smoke detection circuitry for 100 μ s every 10 seconds to keep standby current to a minimum. If smoke is sensed, the detection rate is increased to verify an Alarm condition. A High Gain mode is available for push-button chamber testing.

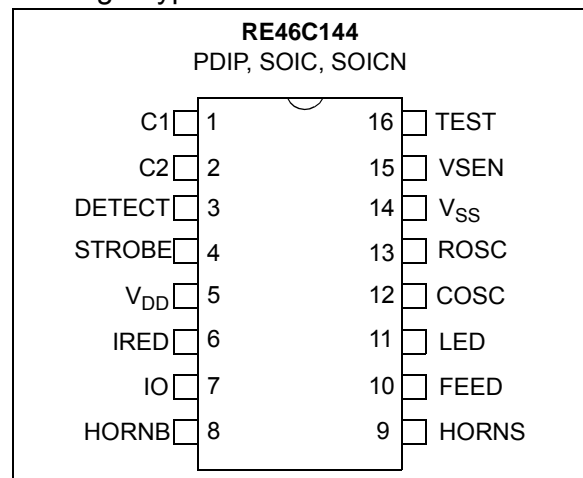
A check for a low-battery condition and chamber integrity is performed every 43 seconds, when in Standby. The alarm horn pattern utilizes a 75% duty cycle.

An interconnect pin allows multiple detectors to be connected such that when one units alarms, all units will sound.

An internal 10 minute timer can be used for a reduced sensitivity mode.

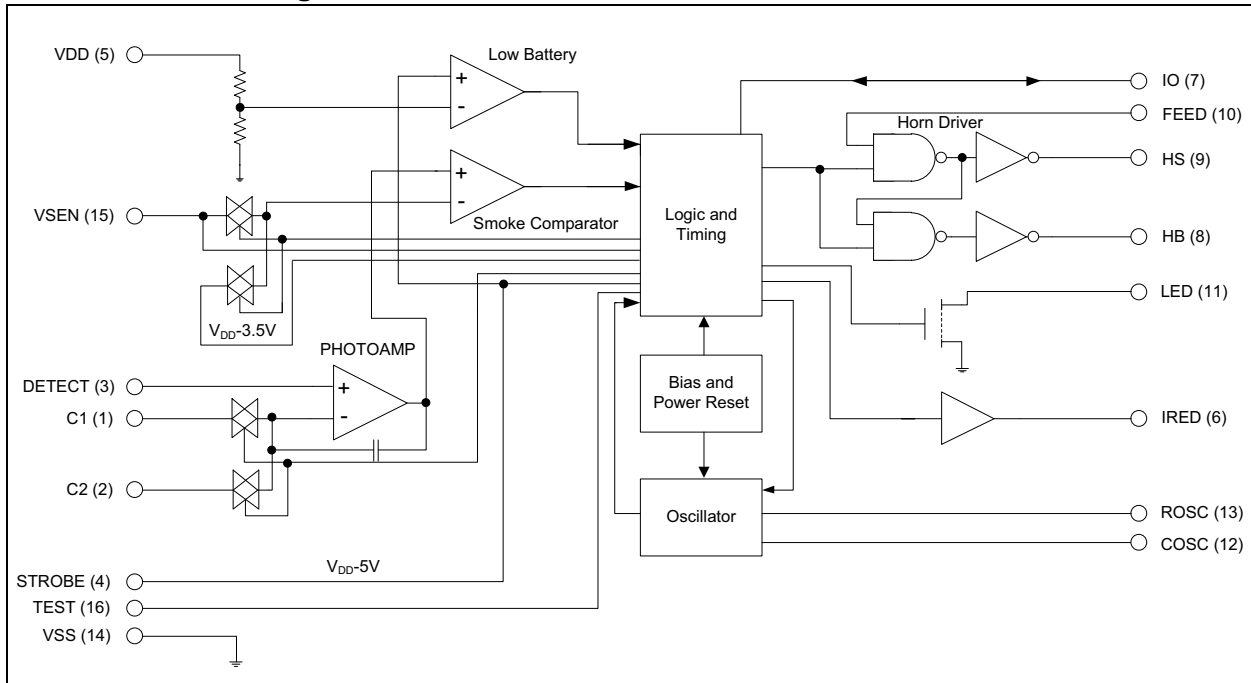
The RE46C144 device is recognized by Underwriters Laboratories for use in smoke detectors that comply with specification UL217 and UL268.

Package Types

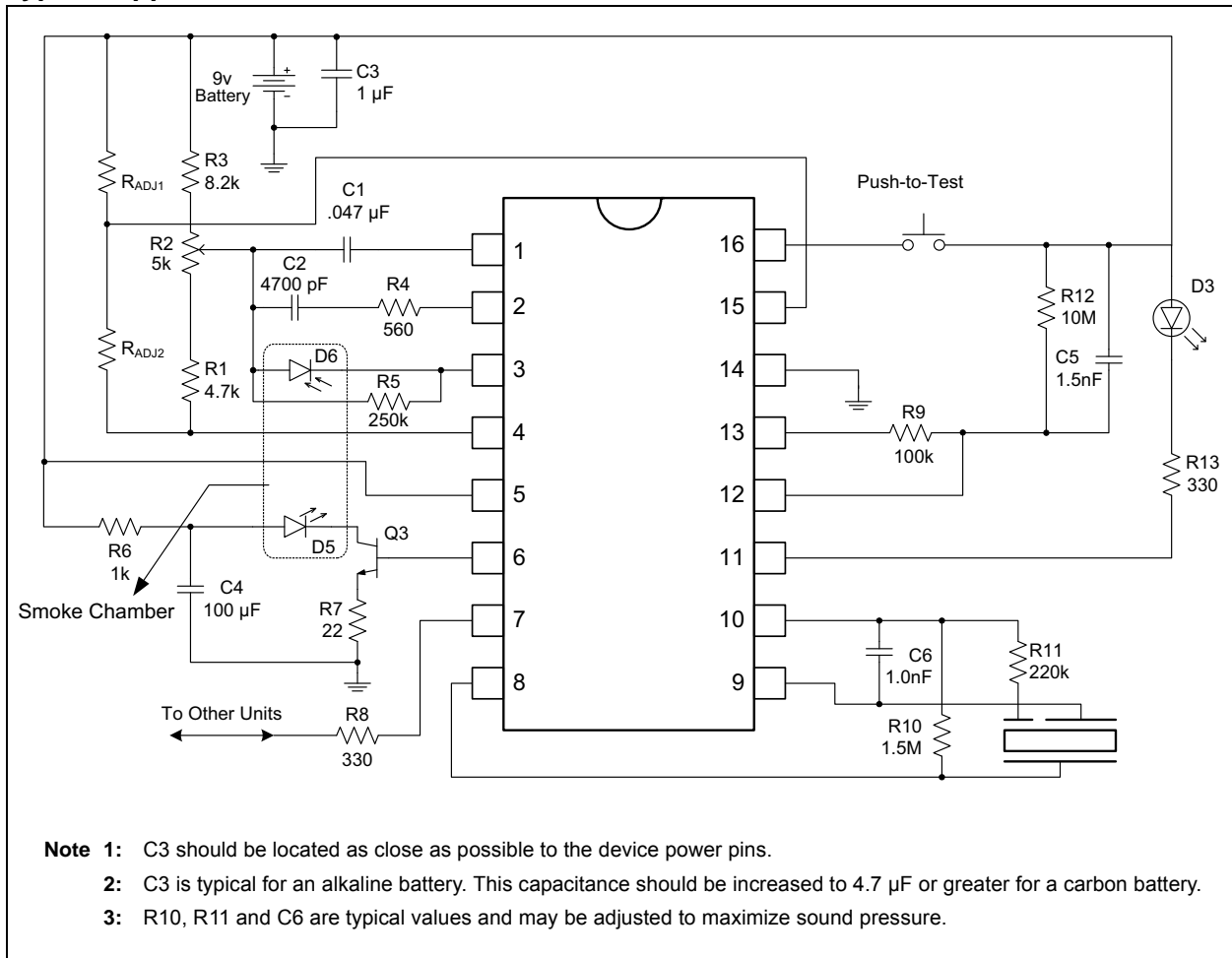


RE46C144

Functional Block Diagram



Typical Application



1.0 ELECTRICAL CHARACTERISTICS

1.1 Absolute Maximum Ratings†

V _{DD}	15V
Input Voltage Range Except FEED, IO.....	V _{IN} = -3V to V _{DD} +.3V
FEED Input Voltage Range.....	V _{INFD} = -10 to +22V
IO Input Voltage Range.....	V _{IO1} = -.3 to 15V
Input Current except FEED.....	I _{IN} = 10 mA
Operating Temperature.....	T _A = -25 to +75°C
Storage Temperature.....	T _{STG} = -55 to +125°C
Maximum Junction Temperature.....	T _J = +150°C

† **Notice:** Stresses above those listed under “Maximum ratings” may cause permanent damage to the device. This is a stress rating only and functional operation of the device at these or any other conditions above those indicated in the operation listings of this specification is not implied. Exposure to maximum rating conditions for extended periods may affect device reliability.

DC ELECTRICAL CHARACTERISTICS

DC Electrical Characteristics: Unless otherwise indicated, all parameters apply at T _A = -25°C to +75°C, V _{DD} = 9V.							
Parameter	Symbol	Test Pin	Min.	Typ.	Max.	Units	Conditions
Supply Voltage	V _{DD}	5	6	—	12	V	Operating
Supply Current	I _{DD1}	5	—	4	6	µA	Configured as in Typical Application , COSC=V _{SS}
	I _{DD2}	5	—	5.5	8	µA	Configured as in Typical Application , V _{DD} = 12V, COSC = V _{SS}
	I _{DD3}	5	—	—	2	mA	Configured as in Typical Application , STROBE on, IRED off, V _{DD} = 12V
	I _{DD4}	5	—	—	3	mA	Configured as in Typical Application , STROBE on, IRED on, V _{DD} = 12V, Note 1
Input Voltage High	V _{IH1}	10	6.2	—	—	V	FEED
	V _{IH2}	7	3.2	—	—	V	No Local Alarm, IO as input
	V _{IH3}	15	1.6	—	—	V	V _{SEN}
	V _{IH4}	16	8.5	—	—	V	TEST
Input Voltage Low	V _{IL1}	10	—	—	2.7	V	FEED
	V _{IL2}	7	—	—	1.5	V	No Local Alarm, IO as Input
	V _{IL3}	15	—	—	.5	V	V _{SEN}
	V _{IL4}	16	—	—	7	V	TEST
Input Leakage Low	I _{IL1}	1, 2, 3	—	—	-100	nA	V _{DD} = 12V, COSC = 12V, STROBE active
	I _{IL2}	10, 12	—	—	-100	nA	V _{DD} = 12V, V _{IN} = V _{SS}
	I _{IL3}	15, 16	—	—	-1	µA	V _{DD} = 12V, V _{IN} = V _{SS}
	I _{IFD}	10	—	—	-50	µA	FEED = -10V

Note 1: Does not include Q3 emitter current.

2: Not production tested.

3: Typical values are for design information and are not ensured.

4: Limits over the specified temperature range are not production tested and are based on characterization data.

RE46C144

DC ELECTRICAL CHARACTERISTICS (CONTINUED)

DC Electrical Characteristics: Unless otherwise indicated, all parameters apply at $T_A = -25^{\circ}\text{C}$ to $+75^{\circ}\text{C}$, $V_{DD} = 9\text{V}$.							
Parameter	Symbol	Test Pin	Min.	Typ.	Max.	Units	Conditions
Input Leakage High	I_{IH1}	1, 2	—	—	100	nA	$V_{DD} = 12\text{V}$, $V_{IN} = V_{DD}$, STROBE active
	I_{IH2}	3, 10, 12	—	—	100	nA	$V_{DD} = 12\text{V}$, $V_{IN} = V_{DD}$
	I_{HFD}	10	—	—	50	μA	FEED = 22V
Input Pull Down Current	I_{PD1}	16	.25	—	10	μA	$V_{IN} = V_{DD}$
	I_{PD2}	15	.1	.25	.5	μA	$V_{IN} = V_{DD}$
	I_{PDIO1}	7	20	—	80	μA	$V_{IN} = V_{DD}$
	I_{PDIO2}	7	—	—	140	μA	$V_{IN} = 15\text{V}$, $V_{DD} = 12\text{V}$
Output Leakage Current Low	I_{OZL1}	11, 13	—	—	-1	μA	Output Off, Output = V_{SS}
Output Leakage Current High	I_{OZH1}	11, 13	—	—	1	μA	Output Off, Output = V_{DD}
Output Voltage Low	V_{OL1}	8, 9	—	—	1	V	$I_{OL} = 16\text{ mA}$, $V_{DD} = 6.5\text{V}$
	V_{OL2}	13	—	.5	—	V	$I_{OL} = 5\text{ mA}$, $V_{DD} = 6.5\text{V}$
	V_{OL3}	11	—	—	.6	V	$I_{OL} = 10\text{ mA}$, $V_{DD} = 6.5\text{V}$
Output Voltage High	V_{OH1}	8, 9	5.5	—	—	V	$I_{OL} = -16\text{ mA}$, $V_{DD} = 6.5\text{V}$
Output Current	I_{IOH1}	7	-4	—	-16	mA	Alarm, $V_{IO} = V_{DD} - 2\text{V}$ or $V_{IO} = 0\text{V}$
	I_{IODMP}	7	5	—	—	mA	At Conclusion of Local Alarm or Test, $V_{IO} = 1\text{V}$
Low Battery Alarm Voltage	V_{LB}	5	6.9	7.2	7.5	V	
Output Voltage	V_{STOF}	4	$V_{DD} - .1$	—	—	V	STROBE off, $V_{DD} = 12\text{V}$, $I_{OUT} = -1\text{ }\mu\text{A}$
	V_{STON}	4	$V_{DD} - 5.25$	$V_{DD} - 5$	$V_{DD} - 4.75$	V	STROBE on, $V_{DD} = 9\text{V}$, $I_{OUT} = 100\text{ }\mu\text{A}$ to $500\text{ }\mu\text{A}$
	V_{IREDOF}	6	—	—	.1	V	IRED off, $V_{DD} = 12\text{V}$, $I_{OUT} = 1\text{ }\mu\text{A}$
	V_{IREDON}	6	2.85	3.1	3.35	V	IRED on, $V_{DD} = 9\text{V}$, $I_{OUT} = 0$ to -6 mA , $T_A = +25^{\circ}\text{C}$
Common Mode Voltage	V_{CM1}	1, 2, 3	.5	—	$V_{DD} - 2$	V	Local smoke, Push-to-Test or Chamber Test, Note 2
Smoke Compare Reference	V_{REF}	—	$V_{DD} - 3.7$	—	$V_{DD} - 3.3$	V	Internal Reference
Temperature Coefficient	T_{CST}	4	—	.01	—	%/°C	$V_{DD} = 6\text{V}$ to 12V , STROBE Output Voltage
	T_{CIRED}	6	—	.3	—	%/°C	$V_{DD} = 6\text{V}$ to 12V , IRED Output Voltage
Line Regulation	ΔV_{STON}	4, 5	—	-50	—	dB	Active, $V_{DD} = 6\text{V}$ to 12V
	ΔV_{IREDON}	6, 5	—	-30	—	dB	Active, $V_{DD} = 6\text{V}$ to 12V

Note 1: Does not include Q3 emitter current.

2: Not production tested.

3: Typical values are for design information and are not ensured.

4: Limits over the specified temperature range are not production tested and are based on characterization data.

TABLE 1-1: AC ELECTRICAL CHARACTERISTICS

AC Electrical Characteristics: Unless otherwise indicated, all parameters apply at $T_A = -25^{\circ}\text{C}$ to $+75^{\circ}\text{C}$, $V_{DD} = 9\text{V}$, $V_{SS} = 0\text{V}$, Component Values from [Typical Application](#); $R_9 = 100\text{K}\Omega$, $R_{12} = 10\text{M}\Omega$, $C_5 = 1.5\text{nF}$.

Parameter	Symbol	Test Pin	Min	Typ	Max	Units	Conditions
Oscillator Period	T_{POSC}	12	9.4	10.5	11.5	ms	No alarm condition
LED and STROBE On Time	T_{ON1}	11, 4	9.4	10.5	11.5	ms	Operating
LED Period	T_{PLED1}	11	39	43	47	s	Standby, no alarm
	T_{PLED2}	11	.6	.67	.74	s	Local alarm condition
	T_{PLED3}	11	9.6	10.75	11.8	s	Timer mode, no local alarm
	T_{PLED4}	11	LED IS NOT ON			s	Remote alarm only
STROBE and IRED Pulse Period	T_{PER1}	4, 6	9.6	10.75	11.8	s	Standby, no alarm
	T_{PER1A}	4, 6	2.42	2.7	2.96	s	Standby, after one valid smoke sample
	T_{PER1B}	4, 6	1.21	1.33	1.47	s	Standby, after two consecutive valid smoke samples
	T_{PER2}	4, 6	1.21	1.33	1.47	s	In Local Alarm (three consecutive valid smoke samples)
	T_{PER3}	4, 6	9.7	10.5	11.8	s	In Remote Alarm
	T_{PER4}	4, 6	300	336	370	ms	Push-button Test
	T_{PER5}	4, 6	39		47	s	Chamber Test or Low-battery Test, no alarms
IRED On Time	T_{ON2}	6	94	104	115	μs	Operating
Horn On Time	T_{HON1}	8, 9	227	252	277	ms	Operating, alarm condition, Note 1
	T_{HON2}	8, 9	9.5	10.5	11.5	ms	Low Battery or Failed Chamber Test, no alarm
Horn Off Time	T_{HOF1}	8, 9	76	84	92	ms	Operating, Alarm Condition, Note 1
	T_{HOF3}	8, 9	39	43	47	s	Low Battery or Failed Chamber Test, no alarm
IO Charge Dump Duration	T_{IODMP}	7	.91		1.46	s	At conclusion of local alarm or test
IO Delay	T_{IODLY1}	7		0		s	From start of local alarm to IO Active
IO Filter	T_{IOFILT}	7			600	ms	IO pulse-width ensured to be filtered. IO as input, no local alarm
Remote Alarm Delay	T_{IODLY2}	7	.75		1.65	s	No local alarm, from IO Active to Horn Active
Timer Period	T_{TPER}		7	8.5	10	Min	No alarm condition, Note 2

Note 1: See timing diagram for Horn Temporal Pattern

- 2: During the Timer mode, the LED period is 10.5 seconds. The LED period will return to 43 seconds at the conclusion of the Timer mode.
- 3: T_{POSC} and T_{ON2} are 100% production tested. All other timing is guaranteed by functional testing.
- 4: Typical values are for design information and are not ensured.
- 5: Limits over the specified temperature range are not production tested and are based on characterization data.

RE46C144

TEMPERATURE CHARACTERISTICS

Electrical Specifications: Unless otherwise indicated, $V_{DD} = 9V$, $V_{SS} = 0V$						
Parameters	Symbol	Min.	Typ.	Max.	Units	Conditions
Temperature Ranges						
Operating Temperature Range	T_A	-25	—	+75	°C	
Storage Temperature Range	T_{STG}	-55	—	+125	°C	
Thermal Package Resistances						
Thermal Resistance, 16L-PDIP	θ_{JA}	—	70	—	°C/W	
Thermal Resistance, 16L-SOIC (150 mil.)	θ_{JA}	—	86.1	—	°C/W	
Thermal Resistance, 16L-SOIC (300 mil.)	θ_{JA}	—	80	—	°C/W	

2.0 PIN DESCRIPTION

The descriptions of the pins are listed in .

TABLE 2-1: PIN FUNCTION TABLE

RE46C144 PDIP, SOIC, SOICN	Symbol	Function
1	C1	High Gain Capacitor Pin
2	C2	Normal Gain Capacitor Pin
3	DETECT	Photo Diode Input
4	STROBE	Strobed Detection Negative Supply
5	V _{DD}	Positive Power Supply
6	IRED	Infrared Emitting Diode Pin
7	IO	Interconnect Pin
8	HB	Horn Brass, Inverted Output
9	HS	Horn Silver Output
10	FEED	Horn Feedback Pin
11	LED	LED Driver Pin
12	COSC	Oscillator Capacitor Input
13	ROSC	Oscillator Resistor Drive Low
14	V _{SS}	Negative Power Supply
15	VSEN	HushTimer Sensitivity Pin
16	TEST	Test Pin

2.1 High/Normal Gain Capacitor Pins (C1, C2)

The capacitor connected to the C1 pin sets the photo amplifier gain (high) for the push-to-test and chamber sensitivity test. The size of this capacitor will depend on the chamber background reflections. $A = 1 + (C1/10)$, where C1 is expressed in pF. The gain should be <10000.

The capacitor connected to the C2 pin sets the photo amplifier gain (normal) during Standby. The value of this capacitor will depend on the smoke sensitivity required. $A = 1 + (C2/10)$, where C2 is expressed in pF.

2.2 Photo Diode Input (DETECT)

This input is normally connected to the cathode of an external photo diode operated at zero bias.

2.3 Strobed Detection Negative Supply (STROBE)

Regulated output voltage of V_{DD}-5 which is active during a test for smoke. This output is the negative side of the photo amplifier reference circuitry.

2.4 Positive Power Supply (V_{DD})

The V_{DD} pin is the device's positive power supply input.

2.5 Infrared Emitting Diode Pin (IRED)

Provides a regulated pulsed output voltage pre-driver for the infrared emitter. This output usually drives the base of an NPN transistor.

2.6 Interconnect Pin (I/O)

This bidirectional pin provides the capability to interconnect many detectors in a single system. This pin has an internal pull-down device.

2.7 Horn Brass, Inverted Output (HB)

The HB pin is connected to the metal electrode of a piezoelectric transducer.

2.8 Horn Silver Output Pin (HS)

The HS pin is a complementary output to HB and connects to the ceramic electrode of the piezoelectric transducer.

RE46C144

2.9 Horn Feedback Pin (FEED)

Usually this pin is connected to the feedback electrode through a current limiting resistor. If not used, this pin must be connected to V_{DD} or V_{SS} .

2.10 LED Driver Pin (LED)

This pin is an open drain NMOS output used to drive a visible LED.

2.11 Oscillator Capacitor Input (COSC)

A capacitor connected to this pin, with a parallel resistor, sets the internal clock low time, which is approximately the clock period.

2.12 Oscillator Resistor Drive Low (ROSC)

A resistor between this pin and COSC pin sets the internal clock high time. This also sets the IRED pulse width (100 - 200 μ s).

2.13 Hush Timer Sensitivity Pin (VSEN)

In Timer mode, this input pin can be used to set an external smoke comparator reference.

2.14 TEST Pin

This input is used to invoke two test modes and the timer mode. This input has an internal pull-down.

3.0 DEVICE DESCRIPTION

Note: All timing references are nominal. See electrical characteristics for limits.

3.1 Standby Internal Timing

With the external components specified in the illustration [Typical Application](#) for ROSC and COSC, the internal oscillator has a nominal period of 10 ms. Normally the analog circuitry is powered down to minimize standby current (typically 4 μ A at 9V). Once every 11 seconds, the detection circuitry (normal gain) is powered up for 10 ms. Prior to completion of the 10 ms period, the IRED pulse is active for 100 μ s. At the conclusion of the 10 ms period, the photo amplifier is compared to an internal reference to determine the chamber status and latched. If a smoke condition is present, the period to the next detection decreases and additional checks are made. Three consecutive smoke detections will cause the device to go into alarm, and the horn circuit and interconnect will be active.

Once every 43 seconds, the status of the battery voltage is checked. This status is checked and latched at the conclusion of the LED pulse. In addition, once every 43 seconds the chamber is activated and, using the high gain mode (capacitor C1), a check of the chamber is made by amplifying background reflections. If either the low battery or the photo chamber test fails, the horn will chirp for 10 ms every 43 seconds.

The oscillator period is determined by the values of R9, R12 and C5 (see [Typical Application](#)). The oscillator period is as follows:

EQUATION 3-1:

$$T = T_R + T_F$$

Where:

$$T_R = .693 \times R_{12} \times C_5$$

$$T_F = .693 \times R_9 \times C_5$$

3.2 Smoke Detection Circuitry

A comparator compares the photo amp output to an internal reference voltage. If the required number of consecutive smoke conditions is met, the device will go into local alarm and the horn will be active. In local alarm, the C2 gain is internally increased by approximately 10% to provide alarm hysteresis.

3.3 Push-to-Test Operation

If the Test input pin is activated (V_{IH}), after one internal clock cycle, the smoke detection rate increases to once every 330 ms. In this mode, the high-gain capacitor C1 is selected, and background reflections are used to simulate a smoke condition. After the required consecutive detections, the device will go into a local alarm condition. When the Test input is deactivated (V_{IL}) and after one clock cycle, the normal gain capacitor C1 is selected. The detection rate continues at once every 330 ms until three consecutive no smoke conditions are detected. At this point, the device returns to standby timing.

3.4 LED Operation

In Standby, the LED is pulsed on for 10 ms every 43 seconds. In a local alarm condition or the push-to-test alarm, the LED pulse frequency is increased to once every .5 seconds. In the case of a remote alarm the LED not active. In the Timer mode of operation, the LED is pulsed on for 10 ms every 10 seconds.

3.5 Interconnect Operation

The bidirectional I/O pin allows for interconnection of multiple detectors. In a local alarm condition, this pin is driven high immediately through a constant current source. Shorting this output to ground will not cause excessive current. The I/O is ignored as an input during a local alarm.

The I/O pin also has an NMOS discharge device that is active for 1 second after the conclusion of any type of local alarm. This device helps to quickly discharge any capacitance associated with the interconnect line.

If a remote active high signal is detected, the device goes into remote alarm and the horn will be active. Internal protection circuitry allows for the signaling unit to have a higher supply voltage than the signaled unit, without excessive current draw.

The interconnect input has a 670 ms nominal digital filter. This allows for interconnection to other types of alarms (carbon monoxide, for example) that may have a pulsed interconnect signal.

RE46C144

3.6 Low Battery Detection

In Standby, an internal reference is compared to the voltage divided V_{DD} supply. A low battery status is latched at the conclusion of the LED pulse. The horn will chirp for 10 ms every 43 seconds, until the low battery condition no longer exists. The low battery test is not performed in a local or remote alarm condition.

The low battery notification does not sound in a local or remote alarm condition.

3.7 Chamber Fail Detection

In Standby, a chamber test is also performed every 43 seconds, by switching to the high gain capacitor C1 and sensing the photo chamber background reflections. Two consecutive chamber test failures will also cause the horn to chirp for 10 ms every 43 seconds. The low battery chirp occurs just before the LED pulse (see [Figure 3-1](#)). The chamber test and chamber test failure chirp occurs approximately 21 seconds after the LED pulse. The chamber tests are not performed in a local or remote alarm condition.

The chamber fail notification does not sound in a local or remote alarm condition.

3.8 Timer Mode

If resistors R_{ADJ1} and R_{ADJ2} are in place and a high-to-low transition occurs on the Test input, the device enters a 10 minute timer mode. In this mode, the smoke comparator reference is switched from the internal $V_{DD} - 3.5V$ reference to the voltage that appears on VSEN (pin 15). This allows the sensitivity to be modified for the duration of the 10 minute timer period. The chamber test is performed in Timer mode.

If VSEN is left unconnected or tied to V_{SS} , the Timer mode of operation is inhibited.

3.9 Diagnostic Mode

In addition to the normal function of the Test input, a special diagnostic mode is available to calibrate and test the smoke detector. Taking the Test pin below V_{SS} and sourcing $\sim 300 \mu A$ out of the pin for one clock cycle will enable the diagnostic mode. In diagnostic mode, some of the pin functions are redefined. Refer to [Table 3-1](#) for redefined pin functions in the diagnostic mode. In addition, in this mode Strobe is always enabled, and the IRED is pulsed at the clock rate of 10 ms nominal.

TABLE 3-1: DIAGNOSTIC MODE PIN FUNCTION

Pin Name	Pin Number	Function
IO	7	Disabled as an output. A high on this pin directs the photo amplifier output to pin C1 (1) or C2 (2), determined by the level on VSEN (15). Amplification occurs during the IRED active time.
VSEN	15	If IO is high, then this pin controls the gain capacitor that is used. If VSEN is low, the normal gain is selected and the photo amplifier output appears on C1 (1). If VSEN is high, high gain is selected and the photo amplifier output is on C2 (2).
FEED	10	If VSEN (15) is low, then taking this input high will enable hysteresis, which is a nominal 10% gain increase in normal gain mode.
COSC	12	If desired, this pin can be driven by an external clock.
HORNB	8	This pin becomes the smoke integrator output. A high level indicates that an alarm condition has been detected.
LED	11	The LED pin is used as a low battery indicator. For V_{DD} above the low battery threshold, the open drain NMOS is off. If V_{DD} falls below the threshold, the NMOS turns on.

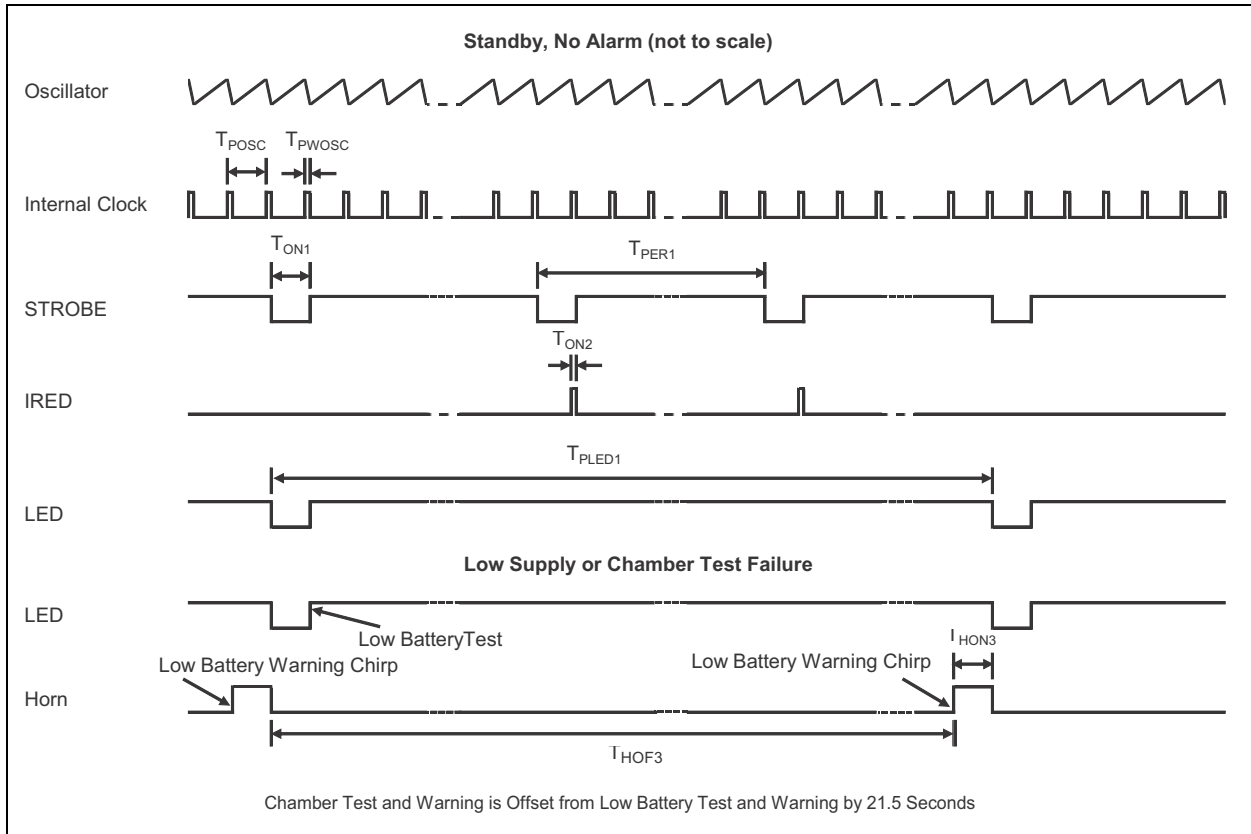


FIGURE 3-1: RE46C144 Timing Diagram – Standby, Low Supply and Chamber Test Failure.

RE46C144

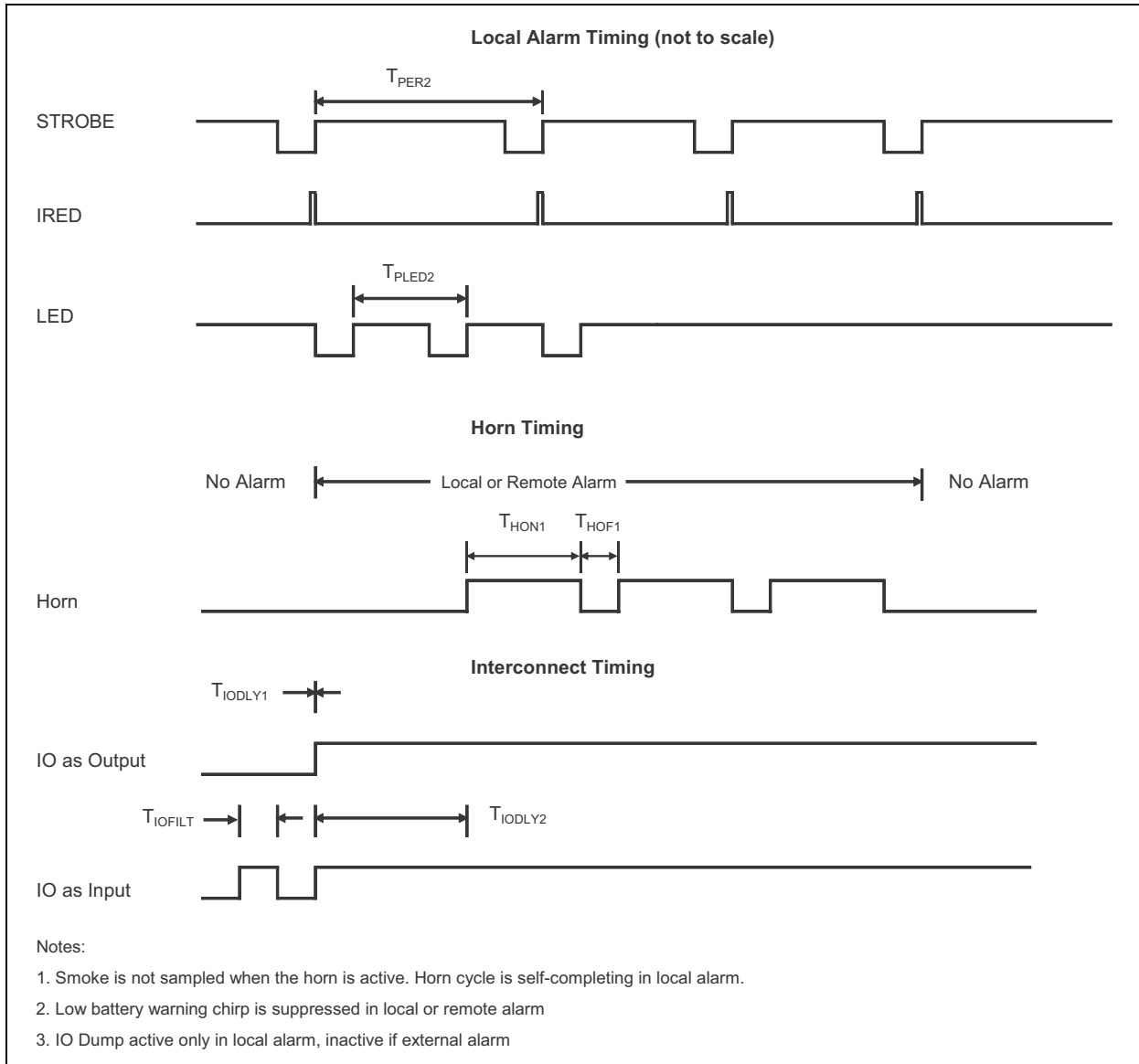
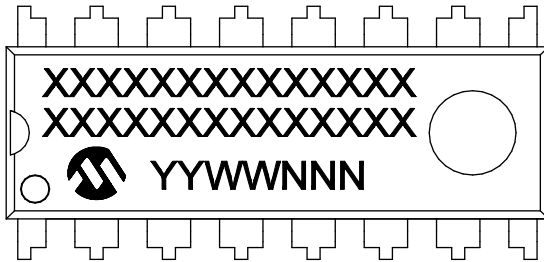


FIGURE 3-2: RE46C144 Timing Diagram – Local Alarm, Horn and Interconnect Timings.

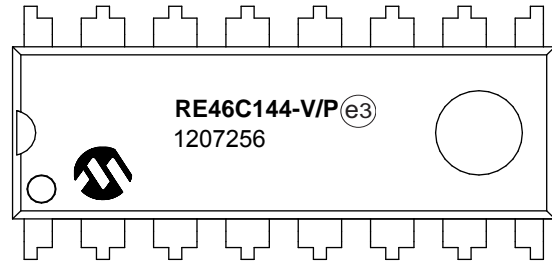
4.0 PACKAGING INFORMATION

4.1 Package Marking Information

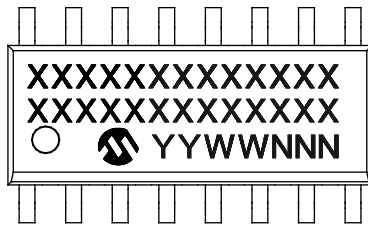
16-Lead PDIP (300 mil)



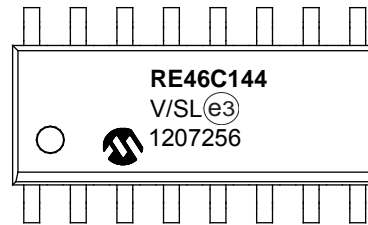
Example



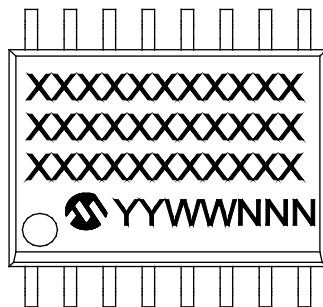
16-Lead Narrow SOIC (3.90 mm)



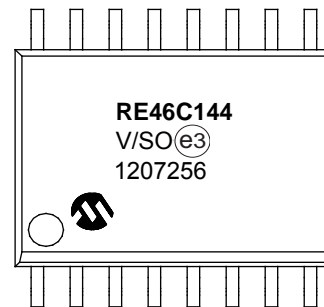
Example



16-Lead Wide SOIC (7.50 mm)



Example



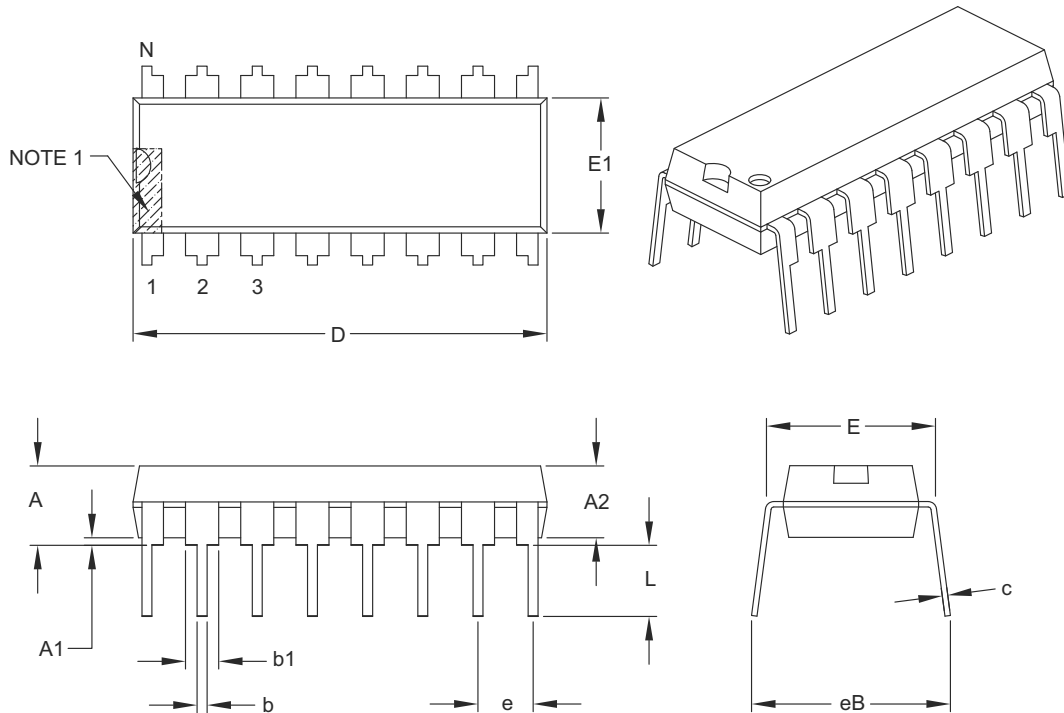
Legend:	XX...X	Customer-specific information
	Y	Year code (last digit of calendar year)
	YY	Year code (last 2 digits of calendar year)
	WW	Week code (week of January 1 is week '01')
	NNN	Alphanumeric traceability code
	(e3)	Pb-free JEDEC designator for Matte Tin (Sn)
	*	This package is Pb-free. The Pb-free JEDEC designator (e3) can be found on the outer packaging for this package.

Note: In the event the full Microchip part number cannot be marked on one line, it will be carried over to the next line, thus limiting the number of available characters for customer-specific information.

RE46C144

16-Lead Plastic Dual In-Line (P) – 300 mil Body [PDIP]

Note: For the most current package drawings, please see the Microchip Packaging Specification located at <http://www.microchip.com/packaging>



Dimension Limits	Units	INCHES		
		MIN	NOM	MAX
Number of Pins	N	16		
Pitch	e	.100 BSC		
Top to Seating Plane	A	–	–	.210
Molded Package Thickness	A2	.115	.130	.195
Base to Seating Plane	A1	.015	–	–
Shoulder to Shoulder Width	E	.290	.310	.325
Molded Package Width	E1	.240	.250	.280
Overall Length	D	.735	.755	.775
Tip to Seating Plane	L	.115	.130	.150
Lead Thickness	c	.008	.010	.015
Upper Lead Width	b1	.045	.060	.070
Lower Lead Width	b	.014	.018	.022
Overall Row Spacing §	eB	–	–	.430

Notes:

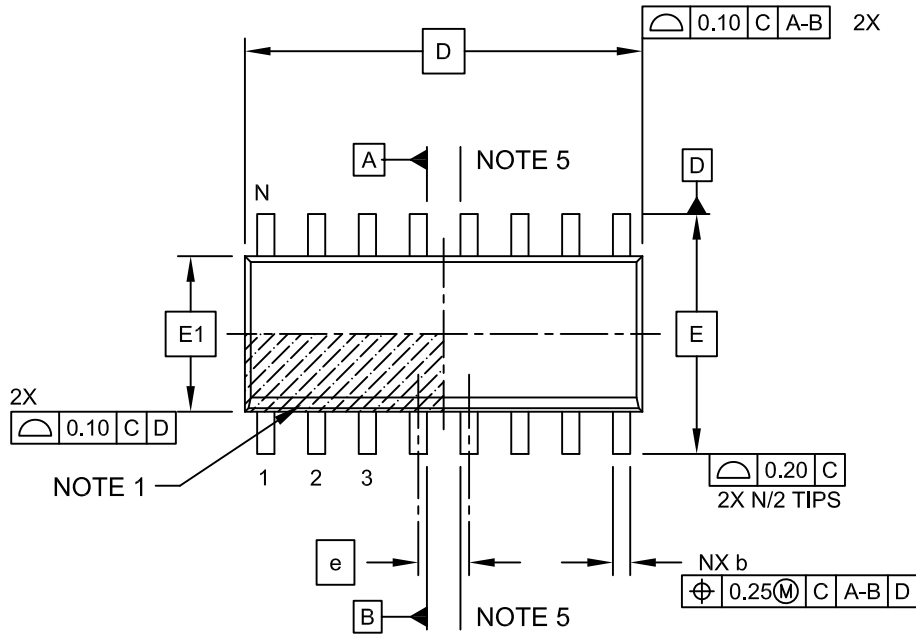
- Pin 1 visual index feature may vary, but must be located within the hatched area.
- § Significant Characteristic.
- Dimensions D and E1 do not include mold flash or protrusions. Mold flash or protrusions shall not exceed .010" per side.
- Dimensioning and tolerancing per ASME Y14.5M.

BSC: Basic Dimension. Theoretically exact value shown without tolerances.

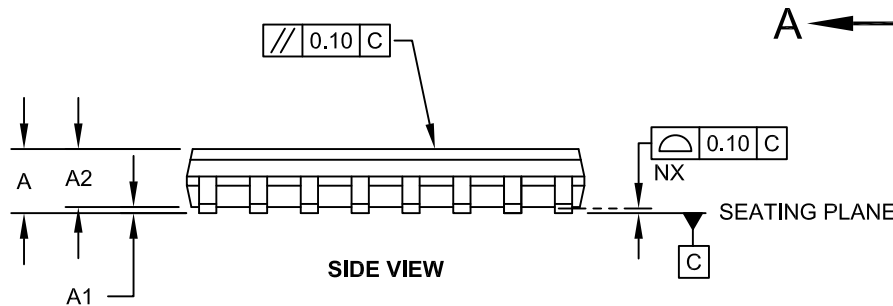
Microchip Technology Drawing C04-017B

16-Lead Plastic Small Outline (SL) - Narrow, 3.90 mm Body [SOIC]

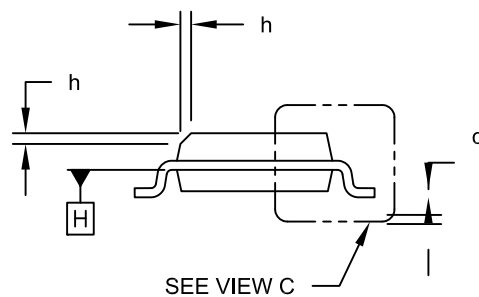
Note: For the most current package drawings, please see the Microchip Packaging Specification located at <http://www.microchip.com/packaging>



TOP VIEW



SIDE VIEW



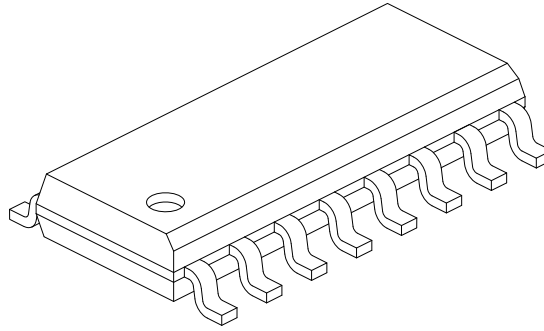
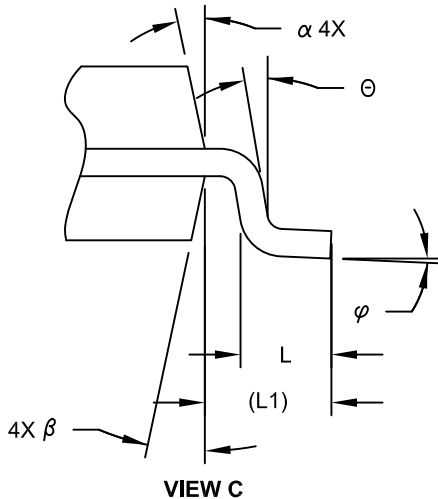
VIEW A-A

Microchip Technology Drawing No. C04-108C Sheet 1 of 2

RE46C144

16-Lead Plastic Small Outline (SL) - Narrow, 3.90 mm Body [SOIC]

Note: For the most current package drawings, please see the Microchip Packaging Specification located at <http://www.microchip.com/packaging>



		MILLIMETERS		
Units		MIN	NOM	MAX
Dimension Limits				
Number of Pins	N	16		
Pitch	e	1.27 BSC		
Overall Height	A	-	-	1.75
Molded Package Thickness	A2	1.25	-	-
Standoff §	A1	0.10	-	0.25
Overall Width	E	6.00 BSC		
Molded Package Width	E1	3.90 BSC		
Overall Length	D	9.90 BSC		
Chamfer (Optional)	h	0.25	-	0.50
Foot Length	L	0.40	-	1.27
Footprint	L1	1.04 REF		
Lead Angle	θ	0°	-	-
Foot Angle	ϕ	0°	-	8°
Lead Thickness	c	0.10	-	0.25
Lead Width	b	0.31	-	0.51
Mold Draft Angle Top	α	5°	-	15°
Mold Draft Angle Bottom	β	5°	-	15°

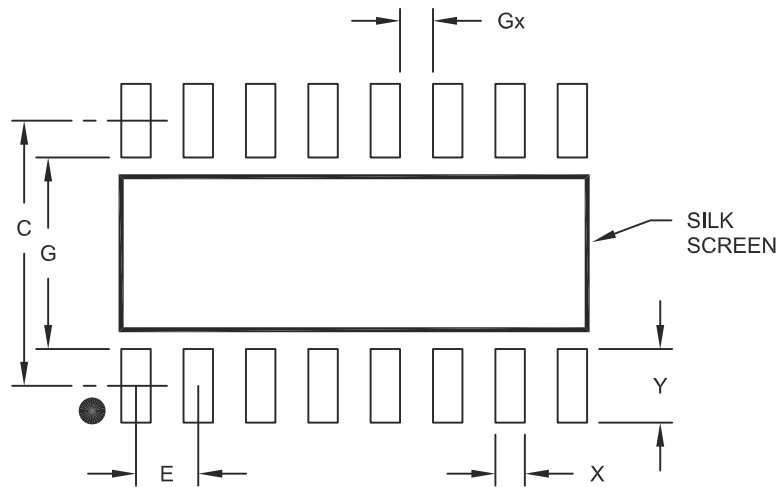
Notes:

- Pin 1 visual index feature may vary, but must be located within the hatched area.
- § Significant Characteristic
- Dimension D does not include mold flash, protrusions or gate burrs, which shall not exceed 0.15 mm per end. Dimension E1 does not include interlead flash or protrusion, which shall not exceed 0.25 mm per side.
- Dimensioning and tolerancing per ASME Y14.5M
 - BSC: Basic Dimension. Theoretically exact value shown without tolerances.
 - REF: Reference Dimension, usually without tolerance, for information purposes only.
- Datums A & B to be determined at Datum H.

Microchip Technology Drawing No. C04-108C Sheet 2 of 2

16-Lead Plastic Small Outline (SL) - Narrow, 3.90 mm Body [SOIC]

Note: For the most current package drawings, please see the Microchip Packaging Specification located at <http://www.microchip.com/packaging>



RECOMMENDED LAND PATTERN

Dimension Limits	Units	MILLIMETERS		
		MIN	NOM	MAX
Contact Pitch	E	1.27 BSC		
Contact Pad Spacing	C		5.40	
Contact Pad Width	X			0.60
Contact Pad Length	Y			1.50
Distance Between Pads	Gx	0.67		
Distance Between Pads	G	3.90		

Notes:

1. Dimensioning and tolerancing per ASME Y14.5M

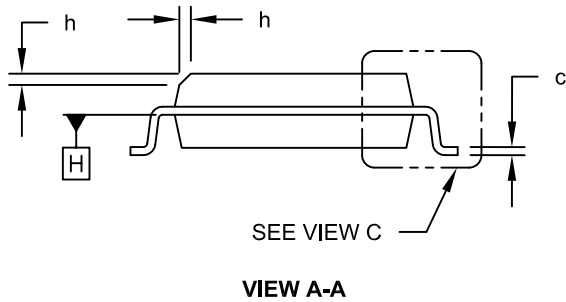
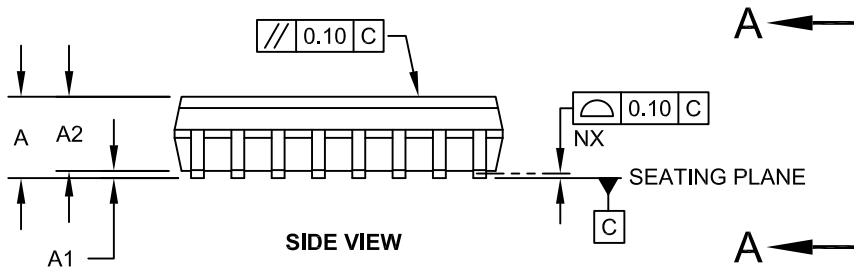
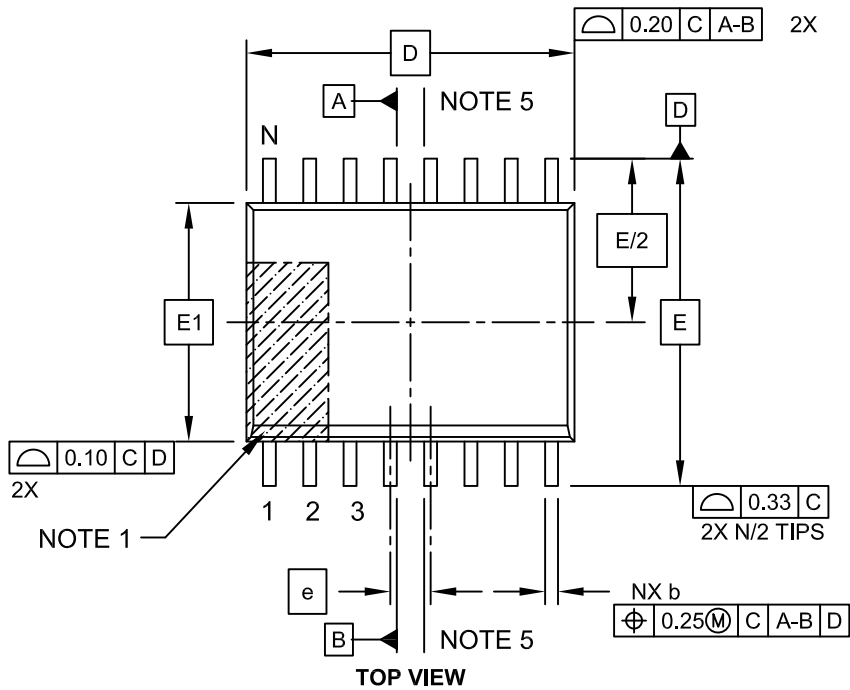
BSC: Basic Dimension. Theoretically exact value shown without tolerances.

Microchip Technology Drawing No. C04-2108A

RE46C144

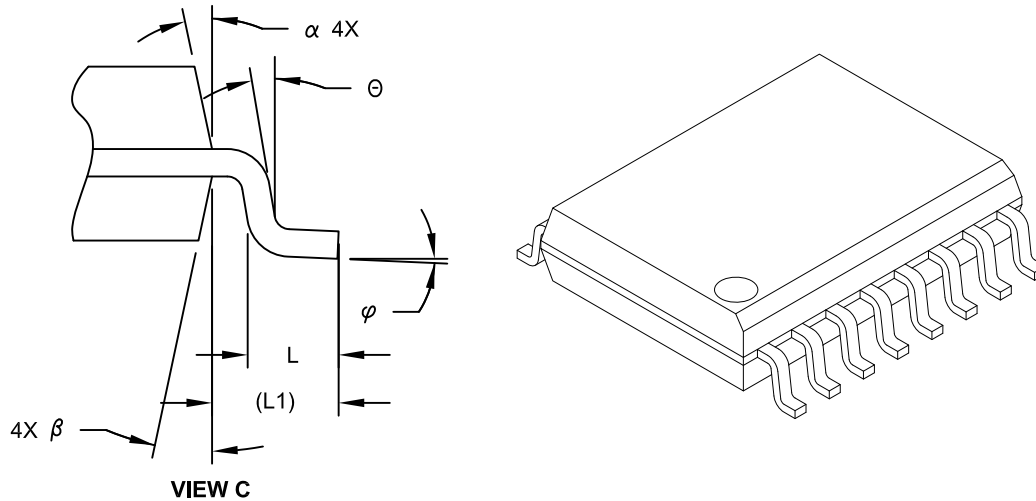
16-Lead Plastic Small Outline (SO) - Wide, 7.50 mm Body [SOIC]

Note: For the most current package drawings, please see the Microchip Packaging Specification located at <http://www.microchip.com/packaging>



16-Lead Plastic Small Outline (SO) - Wide, 7.50 mm Body [SOIC]

Note: For the most current package drawings, please see the Microchip Packaging Specification located at <http://www.microchip.com/packaging>



Dimension Limits	Units	MILLIMETERS		
		MIN	NOM	MAX
Number of Pins	N	16		
Pitch	e	1.27 BSC		
Overall Height	A	-	-	2.65
Molded Package Thickness	A2	2.05	-	-
Standoff §	A1	0.10	-	0.30
Overall Width	E	10.30 BSC		
Molded Package Width	E1	7.50 BSC		
Overall Length	D	10.30 BSC		
Chamfer (Optional)	h	0.25	-	0.75
Foot Length	L	0.40	-	1.27
Footprint	L1	1.40 REF		
Lead Angle	Θ	0°	-	-
Foot Angle	φ	0°	-	8°
Lead Thickness	c	0.20	-	0.33
Lead Width	b	0.31	-	0.51
Mold Draft Angle Top	α	5°	-	15°
Mold Draft Angle Bottom	β	5°	-	15°

Notes:

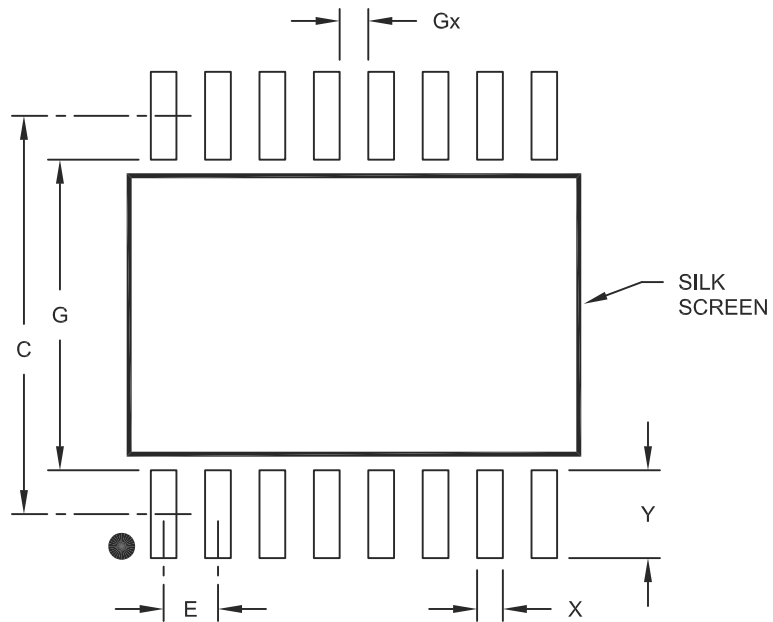
- Pin 1 visual index feature may vary, but must be located within the hatched area.
- § Significant Characteristic
- Dimension D does not include mold flash, protrusions or gate burrs, which shall not exceed 0.15 mm per end. Dimension E1 does not include interlead flash or protrusion, which shall not exceed 0.25 mm per side.
- Dimensioning and tolerancing per ASME Y14.5M
BSC: Basic Dimension. Theoretically exact value shown without tolerances.
REF: Reference Dimension, usually without tolerance, for information purposes only.
- Datums A & B to be determined at Datum H.

Microchip Technology Drawing No. C04-102C Sheet 2 of 2

RE46C144

16-Lead Plastic Small Outline (SO) – Wide, 7.50 mm Body [SOIC] Land Pattern

Note: For the most current package drawings, please see the Microchip Packaging Specification located at <http://www.microchip.com/packaging>



RECOMMENDED LAND PATTERN

Dimension Limits	Units	MILLIMETERS		
		MIN	NOM	MAX
Contact Pitch	E	1.27 BSC		
Contact Pad Spacing	C		9.30	
Contact Pad Width	X			0.60
Contact Pad Length	Y			2.05
Distance Between Pads	Gx	0.67		
Distance Between Pads	G	7.25		

Notes:

1. Dimensioning and tolerancing per ASME Y14.5M

BSC: Basic Dimension. Theoretically exact value shown without tolerances.

Microchip Technology Drawing No. C04-2102A

APPENDIX A: REVISION HISTORY

Revision C (June 2012)

The following is the list of modifications:

1. Restructured the entire document.
2. Moved the [Functional Block Diagram](#) and [Typical Application](#) figures to the beginning of the document.
3. Added [Temperature Characteristics](#) table.
4. Reorganized [Section 2.0, Pin Description](#). Simplified [Table 3-1](#), and added description sections.
5. Added [Section 4.0, Packaging Information](#).
6. Added the [Product Identification System](#) section.

Revision B (October 2009)

- Undocumented changes

Revision A (May 2009)

- Original Release of this Document

RE46C144

NOTES:

PRODUCT IDENTIFICATION SYSTEM

To order or obtain information, e.g., on pricing or delivery, refer to the factory or the listed sales office.

<u>PART NO.</u>		<u>/X</u>	<u>XX</u>
Device	Package	Number of Pins	
Device	RE46C144:	CMOS Photoelectric Smoke Detector ASIC	
	RE46C144T:	CMOS Photoelectric Smoke Detector ASIC (Tape and Reel, SOIC only)	
Package	E	=	Plastic Dual In-Line, 300 mil. Body, 16-Lead (PDIP)
	S	=	Small Plastic Outline - Narrow, 3.90 mm Body, 16-Lead (SOIC)
	SW	=	Small Plastic Outline - Wide, 7.50 mm Body, 16-Lead (SOIC)

Examples:	
a)	RE46C144E16F: 16LD PDIP Package
b)	RE46C144S16F: 16LD SOIC Package
c)	RE46C144S16TF: 16LD SOIC Package, Tape and Reel
d)	RE46C144SW16F: 16LD SOIC Package
e)	RE46C144SW16TF: 16LD SOIC Package, Tape and Reel

RE46C144

NOTES:

Note the following details of the code protection feature on Microchip devices:

- Microchip products meet the specification contained in their particular Microchip Data Sheet.
- Microchip believes that its family of products is one of the most secure families of its kind on the market today, when used in the intended manner and under normal conditions.
- There are dishonest and possibly illegal methods used to breach the code protection feature. All of these methods, to our knowledge, require using the Microchip products in a manner outside the operating specifications contained in Microchip's Data Sheets. Most likely, the person doing so is engaged in theft of intellectual property.
- Microchip is willing to work with the customer who is concerned about the integrity of their code.
- Neither Microchip nor any other semiconductor manufacturer can guarantee the security of their code. Code protection does not mean that we are guaranteeing the product as “unbreakable.”

Code protection is constantly evolving. We at Microchip are committed to continuously improving the code protection features of our products. Attempts to break Microchip's code protection feature may be a violation of the Digital Millennium Copyright Act. If such acts allow unauthorized access to your software or other copyrighted work, you may have a right to sue for relief under that Act.

Information contained in this publication regarding device applications and the like is provided only for your convenience and may be superseded by updates. It is your responsibility to ensure that your application meets with your specifications. MICROCHIP MAKES NO REPRESENTATIONS OR WARRANTIES OF ANY KIND WHETHER EXPRESS OR IMPLIED, WRITTEN OR ORAL, STATUTORY OR OTHERWISE, RELATED TO THE INFORMATION, INCLUDING BUT NOT LIMITED TO ITS CONDITION, QUALITY, PERFORMANCE, MERCHANTABILITY OR FITNESS FOR PURPOSE. Microchip disclaims all liability arising from this information and its use. Use of Microchip devices in life support and/or safety applications is entirely at the buyer's risk, and the buyer agrees to defend, indemnify and hold harmless Microchip from any and all damages, claims, suits, or expenses resulting from such use. No licenses are conveyed, implicitly or otherwise, under any Microchip intellectual property rights.

Trademarks

The Microchip name and logo, the Microchip logo, dsPIC, KEELOQ, KEELOQ logo, MPLAB, PIC, PICmicro, PICSTART, PIC³² logo, rPIC and UNI/O are registered trademarks of Microchip Technology Incorporated in the U.S.A. and other countries.

FilterLab, Hampshire, HI-TECH C, Linear Active Thermistor, MXDEV, MXLAB, SEEVAL and The Embedded Control Solutions Company are registered trademarks of Microchip Technology Incorporated in the U.S.A.

Analog-for-the-Digital Age, Application Maestro, chipKIT, chipKIT logo, CodeGuard, dsPICDEM, dsPICDEM.net, dsPICworks, dsSPEAK, ECAN, ECONOMONITOR, FanSense, HI-TIDE, In-Circuit Serial Programming, ICSP, Mindi, MiWi, MPASM, MPLAB Certified logo, MPLIB, MPLINK, mTouch, Omniscient Code Generation, PICC, PICC-18, PICDEM, PICDEM.net, PICKit, PICtail, REAL ICE, rLAB, Select Mode, Total Endurance, TSHARC, UniWinDriver, WiperLock and ZENA are trademarks of Microchip Technology Incorporated in the U.S.A. and other countries.

SQTP is a service mark of Microchip Technology Incorporated in the U.S.A.

All other trademarks mentioned herein are property of their respective companies.

© 2009-2012, Microchip Technology Incorporated, Printed in the U.S.A., All Rights Reserved.

 Printed on recycled paper.

ISBN: 978-1-62076-352-0

QUALITY MANAGEMENT SYSTEM
CERTIFIED BY DNV
== ISO/TS 16949 ==

Microchip received ISO/TS-16949:2009 certification for its worldwide headquarters, design and wafer fabrication facilities in Chandler and Tempe, Arizona; Gresham, Oregon and design centers in California and India. The Company's quality system processes and procedures are for its PIC[®] MCUs and dsPIC[®] DSCs, KEELOQ[®] code hopping devices, Serial EEPROMs, microperipherals, nonvolatile memory and analog products. In addition, Microchip's quality system for the design and manufacture of development systems is ISO 9001:2000 certified.



MICROCHIP

Worldwide Sales and Service

AMERICAS

Corporate Office
2355 West Chandler Blvd.
Chandler, AZ 85224-6199
Tel: 480-792-7200
Fax: 480-792-7277
Technical Support:
<http://www.microchip.com/support>
Web Address:
www.microchip.com

Atlanta
Duluth, GA
Tel: 678-957-9614
Fax: 678-957-1455

Boston
Westborough, MA
Tel: 774-760-0087
Fax: 774-760-0088

Chicago
Itasca, IL
Tel: 630-285-0071
Fax: 630-285-0075

Cleveland
Independence, OH
Tel: 216-447-0464
Fax: 216-447-0643

Dallas
Addison, TX
Tel: 972-818-7423
Fax: 972-818-2924

Detroit
Farmington Hills, MI
Tel: 248-538-2250
Fax: 248-538-2260

Indianapolis
Noblesville, IN
Tel: 317-773-8323
Fax: 317-773-5453

Los Angeles
Mission Viejo, CA
Tel: 949-462-9523
Fax: 949-462-9608

Santa Clara
Santa Clara, CA
Tel: 408-961-6444
Fax: 408-961-6445

Toronto
Mississauga, Ontario,
Canada
Tel: 905-673-0699
Fax: 905-673-6509

ASIA/PACIFIC

Asia Pacific Office
Suites 3707-14, 37th Floor
Tower 6, The Gateway
Harbour City, Kowloon
Hong Kong
Tel: 852-2401-1200
Fax: 852-2401-3431

Australia - Sydney
Tel: 61-2-9868-6733
Fax: 61-2-9868-6755

China - Beijing
Tel: 86-10-8569-7000
Fax: 86-10-8528-2104

China - Chengdu
Tel: 86-28-8665-5511
Fax: 86-28-8665-7889

China - Chongqing
Tel: 86-23-8980-9588
Fax: 86-23-8980-9500

China - Hangzhou
Tel: 86-571-2819-3187
Fax: 86-571-2819-3189

China - Hong Kong SAR
Tel: 852-2401-1200
Fax: 852-2401-3431

China - Nanjing
Tel: 86-25-8473-2460
Fax: 86-25-8473-2470

China - Qingdao
Tel: 86-532-8502-7355
Fax: 86-532-8502-7205

China - Shanghai
Tel: 86-21-5407-5533
Fax: 86-21-5407-5066

China - Shenyang
Tel: 86-24-2334-2829
Fax: 86-24-2334-2393

China - Shenzhen
Tel: 86-755-8203-2660
Fax: 86-755-8203-1760

China - Wuhan
Tel: 86-27-5980-5300
Fax: 86-27-5980-5118

China - Xian
Tel: 86-29-8833-7252
Fax: 86-29-8833-7256

China - Xiamen
Tel: 86-592-2388138
Fax: 86-592-2388130

China - Zhuhai
Tel: 86-756-3210040
Fax: 86-756-3210049

ASIA/PACIFIC

India - Bangalore
Tel: 91-80-3090-4444
Fax: 91-80-3090-4123

India - New Delhi
Tel: 91-11-4160-8631
Fax: 91-11-4160-8632

India - Pune
Tel: 91-20-2566-1512
Fax: 91-20-2566-1513

Japan - Osaka
Tel: 81-66-152-7160
Fax: 81-66-152-9310

Japan - Yokohama
Tel: 81-45-471-6166
Fax: 81-45-471-6122

Korea - Daegu
Tel: 82-53-744-4301
Fax: 82-53-744-4302

Korea - Seoul
Tel: 82-2-554-7200
Fax: 82-2-558-5932 or
82-2-558-5934

Malaysia - Kuala Lumpur
Tel: 60-3-6201-9857
Fax: 60-3-6201-9859

Malaysia - Penang
Tel: 60-4-227-8870
Fax: 60-4-227-4068

Philippines - Manila
Tel: 63-2-634-9065
Fax: 63-2-634-9069

Singapore
Tel: 65-6334-8870
Fax: 65-6334-8850

Taiwan - Hsin Chu
Tel: 886-3-5778-366
Fax: 886-3-5770-955

Taiwan - Kaohsiung
Tel: 886-7-536-4818
Fax: 886-7-330-9305

Taiwan - Taipei
Tel: 886-2-2500-6610
Fax: 886-2-2508-0102

Thailand - Bangkok
Tel: 66-2-694-1351
Fax: 66-2-694-1350

EUROPE

Austria - Wels
Tel: 43-7242-2244-39
Fax: 43-7242-2244-393

Denmark - Copenhagen
Tel: 45-4450-2828
Fax: 45-4485-2829

France - Paris
Tel: 33-1-69-53-63-20
Fax: 33-1-69-30-90-79

Germany - Munich
Tel: 49-89-627-144-0
Fax: 49-89-627-144-44

Italy - Milan
Tel: 39-0331-742611
Fax: 39-0331-466781

Netherlands - Drunen
Tel: 31-416-690399
Fax: 31-416-690340

Spain - Madrid
Tel: 34-91-708-08-90
Fax: 34-91-708-08-91

UK - Wokingham
Tel: 44-118-921-5869
Fax: 44-118-921-5820

11/29/11



Компания «ЭлектроПласт» предлагает заключение долгосрочных отношений при поставках импортных электронных компонентов на взаимовыгодных условиях!

Наши преимущества:

- Оперативные поставки широкого спектра электронных компонентов отечественного и импортного производства напрямую от производителей и с крупнейших мировых складов;
- Поставка более 17-ти миллионов наименований электронных компонентов;
- Поставка сложных, дефицитных, либо снятых с производства позиций;
- Оперативные сроки поставки под заказ (от 5 рабочих дней);
- Экспресс доставка в любую точку России;
- Техническая поддержка проекта, помощь в подборе аналогов, поставка прототипов;
- Система менеджмента качества сертифицирована по Международному стандарту ISO 9001;
- Лицензия ФСБ на осуществление работ с использованием сведений, составляющих государственную тайну;
- Поставка специализированных компонентов (Xilinx, Altera, Analog Devices, Intersil, Interpoint, Microsemi, Aeroflex, Peregrine, Syfer, Eurofarad, Texas Instrument, Miteq, Cobham, E2V, MA-COM, Hittite, Mini-Circuits, General Dynamics и др.);

Помимо этого, одним из направлений компании «ЭлектроПласт» является направление «Источники питания». Мы предлагаем Вам помощь Конструкторского отдела:

- Подбор оптимального решения, техническое обоснование при выборе компонента;
- Подбор аналогов;
- Консультации по применению компонента;
- Поставка образцов и прототипов;
- Техническая поддержка проекта;
- Защита от снятия компонента с производства.



Как с нами связаться

Телефон: 8 (812) 309 58 32 (многоканальный)

Факс: 8 (812) 320-02-42

Электронная почта: org@eplast1.ru

Адрес: 198099, г. Санкт-Петербург, ул. Калинина, дом 2, корпус 4, литера А.