

# 3x3 Shielded Drum Inductor

SMD Shielded Drum Core



## Product Features:

- Inductance Values from 1.5uH to 47uH
- RoHS Compliant/Lead-Free
- Operating Temp Range -20 to +85°C
- Low Profile

| Part Number    | Inductance<br>( $\mu$ H) | Tolerance | Test Freq.<br>(kHz) | Rdc<br>( $\Omega$ Max) | Idc*<br>(A Max) | Max Ht.<br>(mm) |
|----------------|--------------------------|-----------|---------------------|------------------------|-----------------|-----------------|
| HDS2D11-1R5NTR | 1.5                      | 30%       | 100                 | 0.095                  | 0.90            | 1.3             |
| HDS2D14-1R5NTR | 1.5                      | 30%       | 100                 | 0.063                  | 1.80            | 1.6             |
| HDS2D11-2R2NTR | 2.2                      | 30%       | 100                 | 0.125                  | 0.64            | 1.3             |
| HDS2D14-2R2NTR | 2.2                      | 30%       | 100                 | 0.094                  | 1.50            | 1.6             |
| HDS2D11-3R3NTR | 3.3                      | 30%       | 100                 | 0.160                  | 0.60            | 1.3             |
| HDS2D14-3R3NTR | 3.3                      | 30%       | 100                 | 0.125                  | 1.20            | 1.6             |
| HDS2D11-4R7NTR | 4.7                      | 30%       | 100                 | 0.216                  | 0.50            | 1.3             |
| HDS2D14-4R7NTR | 4.7                      | 30%       | 100                 | 0.169                  | 1.00            | 1.6             |
| HDS2D11-6R8NTR | 6.8                      | 30%       | 100                 | 0.304                  | 0.40            | 1.3             |
| HDS2D14-6R8NTR | 6.8                      | 30%       | 100                 | 0.213                  | 0.85            | 1.6             |
| HDS2D11-100NTR | 10                       | 30%       | 100                 | 0.470                  | 0.34            | 1.3             |
| HDS2D14-100NTR | 10                       | 30%       | 100                 | 0.294                  | 0.70            | 1.6             |
| HDS2D11-150NTR | 15                       | 30%       | 100                 | 0.610                  | 0.24            | 1.3             |
| HDS2D18-150NTR | 15                       | 30%       | 100                 | 0.257                  | 0.35            | 2.0             |
| HDS2D11-220NTR | 22                       | 30%       | 100                 | 1.050                  | 0.22            | 1.3             |
| HDS2D18-220NTR | 22                       | 30%       | 100                 | 0.331                  | 0.30            | 2.0             |
| HDS2D11-330NTR | 33                       | 30%       | 100                 | 1.460                  | 0.21            | 1.3             |
| HDS2D18-330NTR | 33                       | 30%       | 100                 | 0.481                  | 0.23            | 2.0             |
| HDS2D11-470NTR | 47                       | 30%       | 100                 | 2.250                  | 0.20            | 1.3             |

\* Maximum rated current determined by a temp rise of 40°C or an inductance drop of 35%, whichever is less

## Notes:

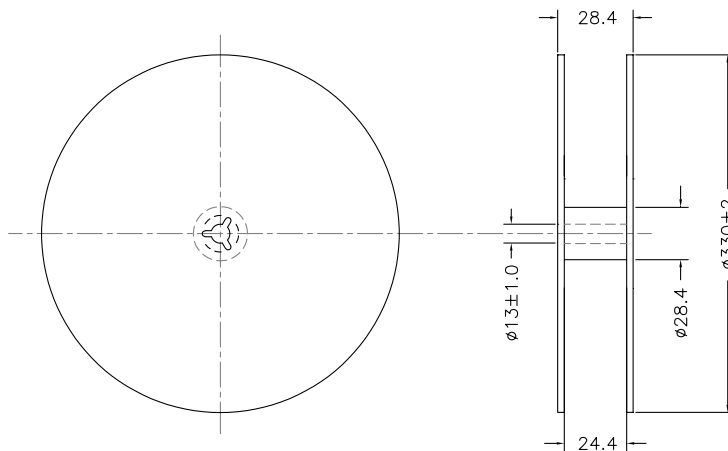
- 1) Tighter tolerances available
- 2) Contact your local representative or the factory for samples and specific datasheets

Mechanical



Packaging

HDS2D11 Ko = 1.4mm, 4000/reel  
 HDS2D14 Ko = 1.7mm, 4000/reel  
 HDS2D18 Ko = 2.1mm, 3500/reel



# 5x5 Shielded Drum Inductor

SMD Shielded Drum Core



## Product Features:

- Inductance Values from 1.0uH to 33uH
- RoHS Compliant/Lead-Free
- Operating Temp Range -20 to +85°C
- Low Profile

| Part Number    | Inductance<br>( $\mu$ H) | Tolerance | Test Freq.<br>(kHz) | Rdc<br>( $\Omega$ Max) | Idc*<br>(A Max) | Max Ht.<br>(mm) |
|----------------|--------------------------|-----------|---------------------|------------------------|-----------------|-----------------|
| HDS4D18-1R0NTR | 1.0                      | 30%       | 100                 | 0.045                  | 1.72            | 2.0             |
| HDS4D18-2R2NTR | 2.2                      | 30%       | 100                 | 0.075                  | 1.32            | 2.0             |
| HDS4D28-2R2NTR | 2.2                      | 30%       | 100                 | 0.032                  | 2.04            | 3.0             |
| HDS4D18-3R3NTR | 3.3                      | 30%       | 100                 | 0.110                  | 1.04            | 2.0             |
| HDS4D28-3R3NTR | 3.3                      | 30%       | 100                 | 0.050                  | 1.57            | 3.0             |
| HDS4D18-4R7NTR | 4.7                      | 30%       | 100                 | 0.152                  | 0.84            | 2.0             |
| HDS4D28-4R7NTR | 4.7                      | 30%       | 100                 | 0.072                  | 1.32            | 3.0             |
| HDS4D18-6R8NTR | 6.8                      | 30%       | 100                 | 0.170                  | 0.76            | 2.0             |
| HDS4D28-6R8NTR | 6.8                      | 30%       | 100                 | 0.109                  | 1.12            | 3.0             |
| HDS4D18-100NTR | 10                       | 30%       | 100                 | 0.200                  | 0.61            | 2.0             |
| HDS4D28-100NTR | 10                       | 30%       | 100                 | 0.129                  | 1.00            | 3.0             |
| HDS4D18-150NTR | 15                       | 30%       | 100                 | 0.240                  | 0.50            | 2.0             |
| HDS4D28-150NTR | 15                       | 30%       | 100                 | 0.150                  | 0.76            | 3.0             |
| HDS4D18-220NTR | 22                       | 30%       | 100                 | 0.397                  | 0.41            | 2.0             |
| HDS4D28-220NTR | 22                       | 30%       | 100                 | 0.235                  | 0.70            | 3.0             |
| HDS2D18-330NTR | 33                       | 30%       | 100                 | 0.694                  | 0.32            | 2.0             |
| HDS4D28-330NTR | 33                       | 30%       | 100                 | 0.378                  | 0.56            | 3.0             |

\* Maximum rated current determined by a temp rise of 40°C or an inductance drop of 35%, whichever is less

## Notes:

- 1) Tighter tolerances available
- 2) Contact your local representative or the factory for samples and specific datasheets

# HALO Shielded Drum Core

## Mechanical

Top View



Bottom View



Dimensions: mm



Recommended Solder Pad Dimensions

## Packaging

HDS4D18 Ko = 2.3mm, 2500/reel  
HDS4D28 Ko = 3.3mm, 2000/reel



FEED DIRECTION



# 6x6 Shielded Drum Inductor

SMD Shielded Drum Core



## Product Features:

- Inductance Values from 3.3uH to 100uH
- RoHS Compliant/Lead-Free
- Operating Temp Range -20 to +85°C
- Low Profile

| Part Number    | Inductance<br>( $\mu$ H) | Tolerance | Test Freq.<br>(kHz) | Rdc<br>( $\Omega$ Max) | Idc*<br>(A Max) | Max Ht.<br>(mm) |
|----------------|--------------------------|-----------|---------------------|------------------------|-----------------|-----------------|
| HDS5D18-3R3NTR | 3.3                      | 30%       | 100                 | 0.050                  | 2.15            | 2.0             |
| HDS5D18-6R2NTR | 6.2                      | 30%       | 100                 | 0.096                  | 1.40            | 2.0             |
| HDS5D28-6R2NTR | 6.2                      | 30%       | 100                 | 0.045                  | 1.80            | 3.0             |
| HDS5D18-100NTR | 10                       | 30%       | 100                 | 0.124                  | 1.20            | 2.0             |
| HDS5D28-100NTR | 10                       | 30%       | 100                 | 0.065                  | 1.30            | 3.0             |
| HDS5D18-150NTR | 15                       | 30%       | 100                 | 0.196                  | 0.97            | 2.0             |
| HDS5D28-150NTR | 15                       | 30%       | 100                 | 0.103                  | 1.10            | 3.0             |
| HDS5D18-220NTR | 22                       | 30%       | 100                 | 0.290                  | 0.80            | 2.0             |
| HDS5D28-220NTR | 22                       | 30%       | 100                 | 0.122                  | 0.90            | 3.0             |
| HDS5D18-330NTR | 33                       | 30%       | 100                 | 0.386                  | 0.65            | 2.0             |
| HDS5D28-330NTR | 33                       | 30%       | 100                 | 0.189                  | 0.75            | 3.0             |
| HDS5D18-470NTR | 47                       | 30%       | 100                 | 0.595                  | 0.54            | 2.0             |
| HDS5D28-470NTR | 47                       | 30%       | 100                 | 0.260                  | 0.62            | 3.0             |
| HDS5D18-680NTR | 68                       | 30%       | 100                 | 0.840                  | 0.43            | 2.0             |
| HDS5D28-680NTR | 68                       | 30%       | 100                 | 0.355                  | 0.52            | 3.0             |
| HDS5D18-101NTR | 100                      | 30%       | 100                 | 1.200                  | 0.36            | 2.0             |
| HDS5D28-101NTR | 100                      | 30%       | 100                 | 0.520                  | 0.42            | 3.0             |

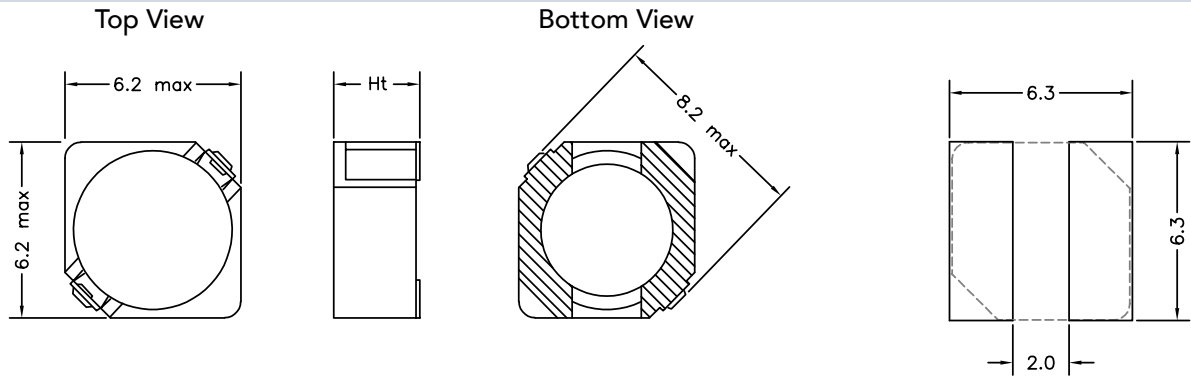
\* Maximum rated current determined by a temp rise of 40°C or an inductance drop of 35%, whichever is less

## Notes:

- 1) Tighter tolerances available
- 2) Contact your local representative or the factory for samples and specific datasheets

# HALO Shielded Drum Inductor

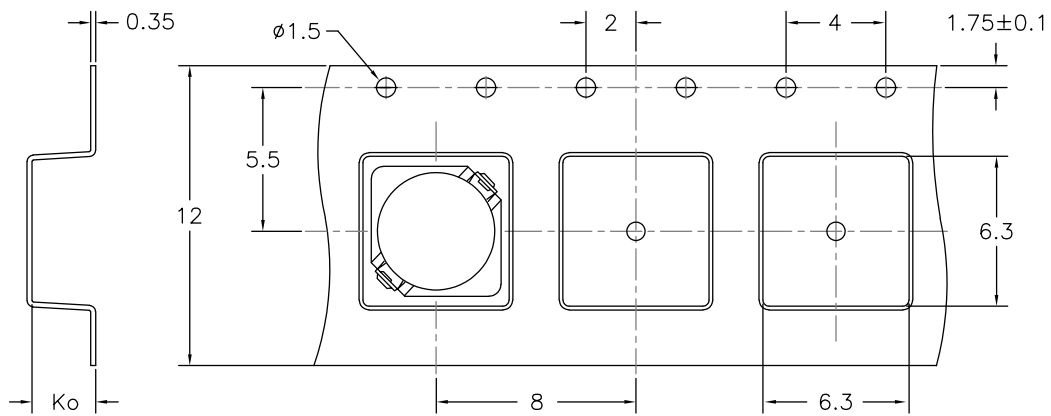
## Mechanical



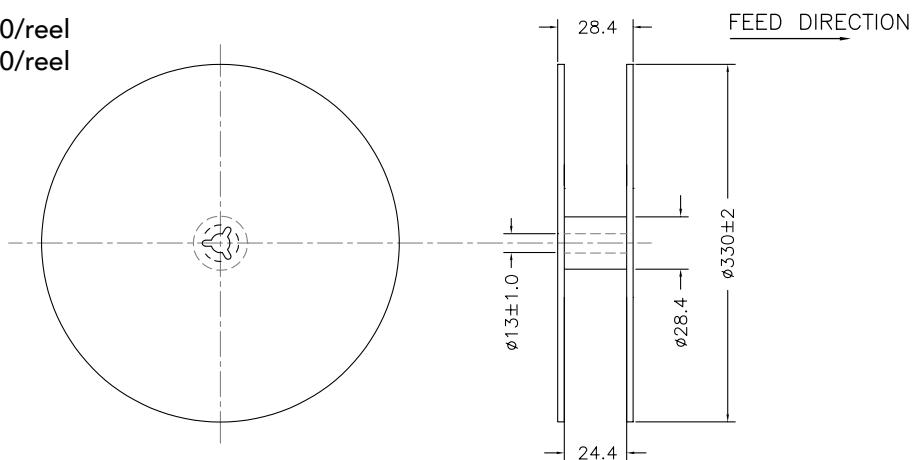
Dimensions: mm

Recommended Solder Pad Dimensions

## Packaging



HDS5D18 Ko = 2.3mm, 2500/reel  
 HDS5D28 Ko = 3.3mm, 2000/reel



# 12.5x12.5 Shielded Drum Inductor

SMD Shielded Drum Core



## Product Features:

- Inductance Values from 3.1uH to 3000uH
- RoHS Compliant/Lead-Free
- Operating Temp Range -20 to +105°C
- Low Profile

| Part Number   | Inductance (μH) | Tolerance | Test Freq. (kHz) | Rdc (Ω Max) | Idc* (A Max) | Max Ht. (mm) |
|---------------|-----------------|-----------|------------------|-------------|--------------|--------------|
| HDS124-100MTR | 10              | 20%       | 100              | 0.05        | 4.50         | 4.5          |
| HDS125-100MTR | 10              | 20%       | 1                | 0.03        | 5.00         | 6.5          |
| HDS129-100MTR | 10              | 20%       | 1                | 0.03        | 6.10         | 10.0         |
| HDS124-220MTR | 22              | 20%       | 100              | 0.07        | 2.90         | 4.5          |
| HDS125-220MTR | 22              | 20%       | 1                | 0.04        | 3.60         | 6.5          |
| HDS129-220MTR | 22              | 20%       | 1                | 0.05        | 3.92         | 10.0         |
| HDS124-470MTR | 47              | 20%       | 100              | 0.16        | 1.90         | 4.5          |
| HDS125-470MTR | 47              | 20%       | 1                | 0.09        | 2.30         | 6.5          |
| HDS129-470MTR | 47              | 20%       | 1                | 0.10        | 2.92         | 10.0         |
| HDS124-680MTR | 68              | 20%       | 100              | 0.22        | 1.50         | 4.5          |
| HDS125-680MTR | 68              | 20%       | 1                | 0.12        | 1.90         | 6.5          |
| HDS129-680MTR | 68              | 20%       | 1                | 0.14        | 2.40         | 10.0         |
| HDS124-101MTR | 100             | 20%       | 100              | 0.31        | 1.20         | 4.5          |
| HDS125-101MTR | 100             | 20%       | 1                | 0.16        | 1.50         | 6.5          |
| HDS129-101MTR | 100             | 20%       | 1                | 0.22        | 1.94         | 10.0         |
| HDS124-221MTR | 220             | 20%       | 100              | 0.70        | 0.80         | 4.5          |
| HDS125-221MTR | 220             | 20%       | 1                | 0.40        | 0.95         | 6.5          |
| HDS129-221MTR | 220             | 20%       | 1                | 0.39        | 1.25         | 10.0         |
| HDS125-471MTR | 470             | 20%       | 1                | 0.77        | 0.58         | 6.5          |
| HDS129-471MTR | 470             | 20%       | 1                | 0.98        | 0.89         | 10.0         |
| HDS125-681MTR | 680             | 20%       | 1                | 1.20        | 0.48         | 6.5          |
| HDS129-681MTR | 680             | 20%       | 1                | 1.46        | 0.75         | 10.0         |
| HDS125-102MTR | 1000            | 20%       | 1                | 1.58        | 0.40         | 6.5          |
| HDS129-102MTR | 1000            | 20%       | 1                | 1.53        | 0.61         | 10.0         |

\* Maximum rated current determined by a 35% (typ) drop in inductance

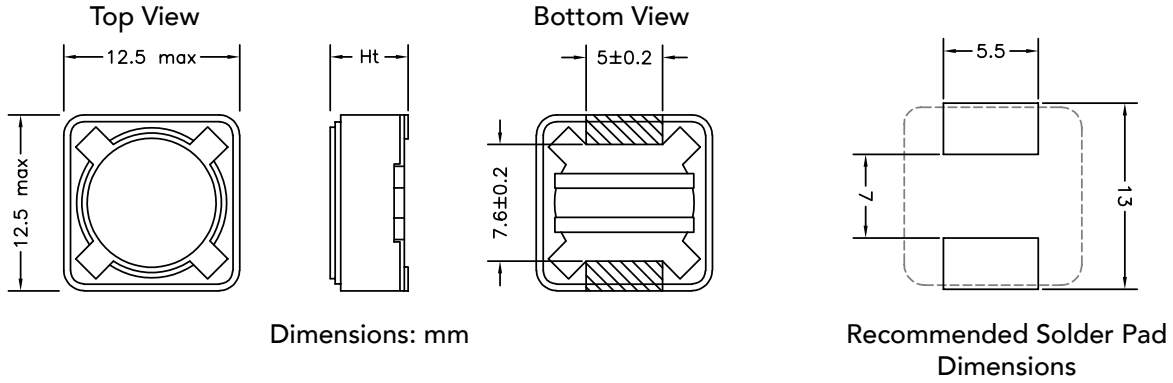
Notes:

- 1) Tighter tolerances available
- 2) Contact your local representative or the factory for samples and specific datasheets

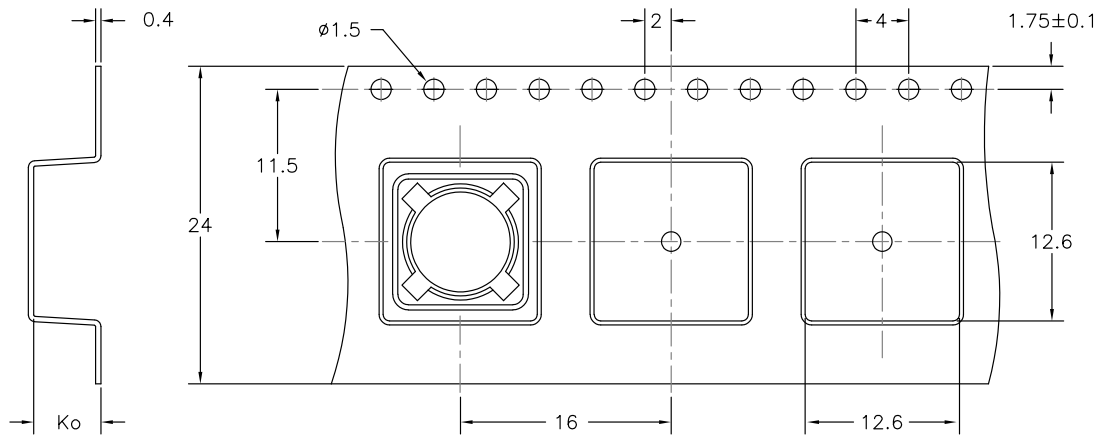
For additional information contact your [local representative](#), or HALO's support staff at (650) 903-3800 or [info@haloelectronics.com](mailto:info@haloelectronics.com)

# HALO Shielded Drum Inductor

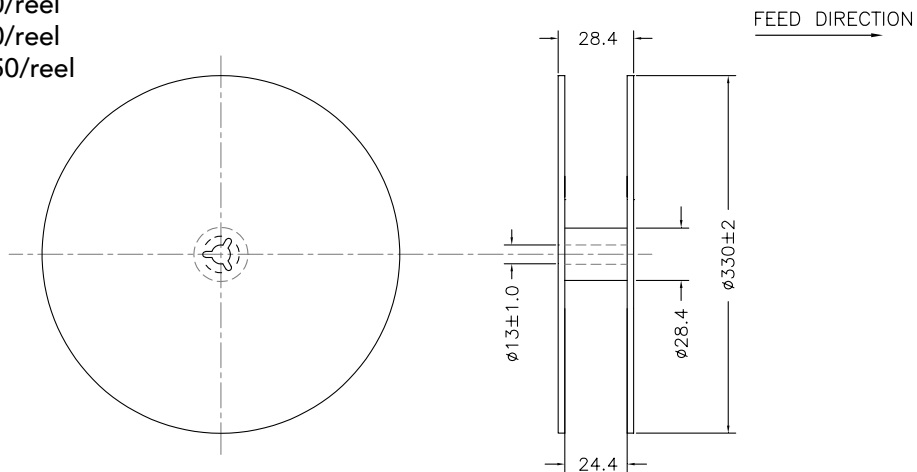
## Mechanical



## Packaging



HDS124 Ko = 4.9mm, 2500/reel  
HDS125 Ko = 5.9mm, 2500/reel  
HDS129 Ko = 10.6mm, 1750/reel



**HALO**  
ELECTRONICS, INC.

2880 Lakeside Drive #116  
Santa Clara, CA 95054  
(650) 903-3800  
[www.haloelectronics.com](http://www.haloelectronics.com)

HALO® Electronics is a leading supplier of high quality communication magnetics including signal transformers, filters, CMR chokes, PoE power transformers, DC/DC converters, and integrated Ethernet connectors. HALO's leading edge technology solutions are manufactured in ISO9001 and ISO14001 factories offering high quality products at a competitive price.





Компания «ЭлектроПласт» предлагает заключение долгосрочных отношений при поставках импортных электронных компонентов на взаимовыгодных условиях!

Наши преимущества:

- Оперативные поставки широкого спектра электронных компонентов отечественного и импортного производства напрямую от производителей и с крупнейших мировых складов;
- Поставка более 17-ти миллионов наименований электронных компонентов;
- Поставка сложных, дефицитных, либо снятых с производства позиций;
- Оперативные сроки поставки под заказ (от 5 рабочих дней);
- Экспресс доставка в любую точку России;
- Техническая поддержка проекта, помощь в подборе аналогов, поставка прототипов;
- Система менеджмента качества сертифицирована по Международному стандарту ISO 9001;
- Лицензия ФСБ на осуществление работ с использованием сведений, составляющих государственную тайну;
- Поставка специализированных компонентов (Xilinx, Altera, Analog Devices, Intersil, Interpoint, Microsemi, Aeroflex, Peregrine, Syfer, Eurofarad, Texas Instrument, Miteq, Cobham, E2V, MA-COM, Hittite, Mini-Circuits, General Dynamics и др.);

Помимо этого, одним из направлений компании «ЭлектроПласт» является направление «Источники питания». Мы предлагаем Вам помощь Конструкторского отдела:

- Подбор оптимального решения, техническое обоснование при выборе компонента;
- Подбор аналогов;
- Консультации по применению компонента;
- Поставка образцов и прототипов;
- Техническая поддержка проекта;
- Защита от снятия компонента с производства.



#### Как с нами связаться

**Телефон:** 8 (812) 309 58 32 (многоканальный)

**Факс:** 8 (812) 320-02-42

**Электронная почта:** [org@eplast1.ru](mailto:org@eplast1.ru)

**Адрес:** 198099, г. Санкт-Петербург, ул. Калинина, дом 2, корпус 4, литера А.