

# Micropower, Dual and Quad, Single Supply, Precision Op Amps

## FEATURES

- Available in 8-Pin SO Package
- 50 $\mu$ A Max Supply Current per Amplifier
- 70 $\mu$ V Max Offset Voltage
- 180 $\mu$ V Max Offset Voltage in 8-Pin SO
- 250pA Max Offset Current
- 0.6 $\mu$ V<sub>P-P</sub>, 0.1Hz to 10Hz Voltage Noise
- 3pA<sub>P-P</sub>, 0.1Hz to 10Hz Current Noise
- 0.4 $\mu$ V/°C Offset Voltage Drift
- 200kHz Gain Bandwidth Product
- 0.07V/ $\mu$ s Slew Rate
- Single Supply Operation
  - Input Voltage Range Includes Ground
  - Output Swings to Ground while Sinking Current
  - No Pull-Down Resistors Needed
- Output Sources and Sinks 5mA Load Current

## APPLICATIONS

- Battery or Solar-Powered Systems
  - Portable Instrumentation
  - Remote Sensor Amplifier
  - Satellite Circuitry
- Micropower Sample-and-Hold
- Thermocouple Amplifier
- Micropower Filters

LT, LTC and LT are registered trademarks of Linear Technology Corporation.

## DESCRIPTION

The LT<sup>®</sup>1078 is a micropower dual op amp in 8-pin packages including the small outline surface mount package. The LT1079 is a micropower quad op amp offered in the standard 14-pin packages. Both devices are optimized for single supply operation at 5V.  $\pm$ 15V specifications are also provided.

Micropower performance of competing devices is achieved at the expense of seriously degrading precision, noise, speed and output drive specifications. The design effort of the LT1078/LT1079 was concentrated on reducing supply current without sacrificing other parameters. The offset voltage achieved is the lowest on any dual or quad nonchopper stabilized op amp—micropower or otherwise. Offset current, voltage and current noise, slew rate and gain bandwidth product are all two to ten times better than on previous micropower op amps.

The 1/f corner of the voltage noise spectrum is at 0.7Hz, at least three times lower than on any monolithic op amp. This results in low frequency (0.1Hz to 10Hz) noise performance which can only be found on devices with an order of magnitude higher supply current.

Both the LT1078 and LT1079 can be operated from a single supply (as low as one lithium cell or two Ni-Cad batteries). The input range goes below ground. The all-NPN output stage swings to within a few millivolts of ground while sinking current—no power consuming pull down resistors are needed.

## TYPICAL APPLICATION

### Single Battery, Micropower, Gain = 100, Instrumentation Amplifier



#### TYPICAL PERFORMANCE

INPUT OFFSET VOLTAGE = 40 $\mu$ V  
 INPUT OFFSET CURRENT = 0.2nA  
 TOTAL POWER DISSIPATION = 240 $\mu$ W  
 COMMON MODE REJECTION = 110dB (AMPLIFIER LIMITED)  
 GAIN BANDWIDTH PRODUCT = 200kHz

OUTPUT NOISE = 85 $\mu$ V<sub>P-P</sub> 0.1Hz TO 10Hz  
 = 300 $\mu$ V<sub>RMS</sub> OVER FULL BANDWIDTH  
 INPUT RANGE = 0.03V TO 1.8V  
 OUTPUT RANGE = 0.03V TO 2.3V  
 (0.3mV  $\leq$   $V_{IN+}$  -  $V_{IN-}$   $\leq$  23mV)  
 OUTPUTS SINK CURRENT—NO PULL-DOWN RESISTORS ARE NEEDED

Distribution of Input Offset Voltage  
(LT1078 and LT1079 in H, J, N Packages)



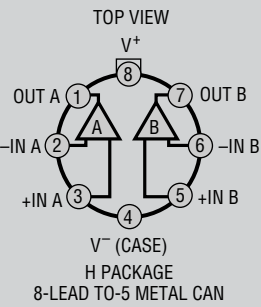
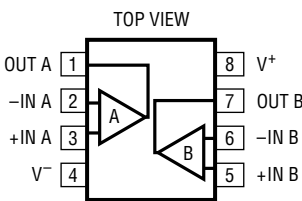
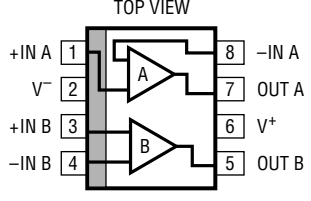
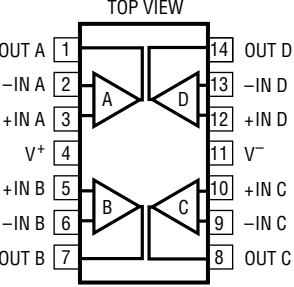
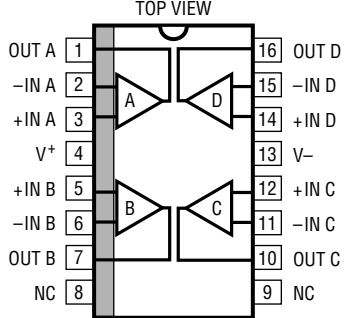
1078/79 • TA02  
10789fe

# LT1078/LT1079

## ABSOLUTE MAXIMUM RATINGS (Note 1)

|                                     |  |  |  |
|-------------------------------------|--|--|--|
| Supply Voltage .....                | $\pm 22\text{V}$                               | Operating Temperature Range                |  |
| Differential Input Voltage .....    | $\pm 30\text{V}$                               | LT1078AM/LT1078M/                          |  |
| Input Voltage .....                 | Equal to Positive Supply Voltage               | LT1079AM/LT1079M ( <b>OBSELETE</b> ) ..... | $-55^{\circ}\text{C}$ to $125^{\circ}\text{C}$ |
|                                     | ..... 5V Below Negative Supply Voltage         | LT1078I/LT1079I .....                      | $-40^{\circ}\text{C}$ to $85^{\circ}\text{C}$  |
| Output Short-Circuit Duration ..... | Indefinite                                     | LT1078AC/LT1078C/LT1078S8/                 |  |
| Storage Temperature Range           |  | LT1079AC/LT1079C .....                     | $0^{\circ}\text{C}$ to $70^{\circ}\text{C}$    |
| All Grades .....                    | $-65^{\circ}\text{C}$ to $150^{\circ}\text{C}$ | Lead Temperature (Soldering, 10 sec) ..... | $300^{\circ}\text{C}$                          |

## PACKAGE/ORDER INFORMATION

|   |   |   |                               |
|---|---|---|-------------------------------|
|  <p>TOP VIEW</p> <p>OUT A 1, -IN A 2, +IN A 3, V<sup>-</sup> (CASE) 4, +IN B 5, -IN B 6, OUT B 7, V<sup>+</sup> 8</p> <p>H PACKAGE<br/>8-LEAD TO-5 METAL CAN</p> <p><math>T_{JMAX} = 150^{\circ}\text{C}</math>, <math>\theta_{JA} = 150^{\circ}\text{C/W}</math>, <math>\theta_{JC} = 45^{\circ}\text{C/W}</math></p> |  <p>TOP VIEW</p> <p>OUT A 1, -IN A 2, +IN A 3, V<sup>-</sup> 4, V<sup>+</sup> 8, OUT B 7, -IN B 6, +IN B 5</p> <p>N8 PACKAGE<br/>8-LEAD PDIP</p> <p><math>T_{JMAX} = 100^{\circ}\text{C}</math>, <math>\theta_{JA} = 130^{\circ}\text{C/W}</math> (N8)</p> |  <p>TOP VIEW</p> <p>+IN A 1, V<sup>-</sup> 2, +IN B 3, -IN B 4, -IN A 8, OUT A 7, V<sup>+</sup> 6, OUT B 5</p> <p>S8 PACKAGE<br/>8-LEAD PLASTIC SO</p> <p>NOTE: THIS PIN CONFIGURATION DIFFERS FROM THE 8-LEAD DIP PIN LOCATIONS. INSTEAD, IT FOLLOWS THE INDUSTRY STANDARD LT1013DS8 SO PACKAGE CONFIGURATION. FOR SIMILAR PERFORMANCE WITH TRADITIONAL DIP PINOUT, SEE THE LT2078</p> <p><math>T_{JMAX} = 110^{\circ}\text{C}</math>, <math>\theta_{JA} = 220^{\circ}\text{C/W}</math></p> |                               |
| ORDER PART NUMBER   | ORDER PART NUMBER   |   | ORDER PART NUMBER             |
| <p>LT1078ACH<br/>LT1078MH</p>   | <p>LT1078ACN8<br/>LT1078CN8<br/>LT1078IN8</p>   |   | <p>LT1078IS8<br/>LT1078S8</p> |
| <p><b>OBSELETE PACKAGES</b><br/>Consider the N8 and S8 Packages for Alternate Source</p>  | <p>J8 PACKAGE<br/>8-LEAD PDIP</p> <p><math>T_{JMAX} = 150^{\circ}\text{C}</math>, <math>\theta_{JA} = 100^{\circ}\text{C/W}</math> (J8)</p> <p>LT1078AMJ8<br/>LT1078MJ8</p>   |   | PART MARKING                  |
|  <p>TOP VIEW</p> <p>OUT A 1, -IN A 2, +IN A 3, V<sup>+</sup> 4, +IN B 5, -IN B 6, OUT B 7, OUT D 14, -IN D 13, +IN D 12, V<sup>-</sup> 11, +IN C 10, -IN C 9, OUT C 8</p> <p>N PACKAGE<br/>14-LEAD PDIP</p> <p><math>T_{JMAX} = 110^{\circ}\text{C}</math>, <math>\theta_{JA} = 130^{\circ}\text{C/W}</math> (N)</p> | ORDER PART NUMBER   |  <p>TOP VIEW</p> <p>OUT A 1, -IN A 2, +IN A 3, V<sup>+</sup> 4, +IN B 5, -IN B 6, OUT B 7, NC 8, OUT D 16, -IN D 15, +IN D 14, V<sup>-</sup> 13, +IN C 12, -IN C 11, OUT C 10, NC 9</p> <p>SW PACKAGE<br/>16-LEAD PLASTIC SO WIDE</p> <p>NOTE: FOR 14-PIN NARROW PACKAGE SEE THE LT2079</p> <p><math>T_{JMAX} = 110^{\circ}\text{C}</math>, <math>\theta_{JA} = 150^{\circ}\text{C/W}</math></p>  | ORDER PART NUMBER             |
| <p>J PACKAGE<br/>14-LEAD CERAMIC DIP</p> <p><math>T_{JMAX} = 150^{\circ}\text{C}</math>, <math>\theta_{JA} = 100^{\circ}\text{C/W}</math> (J)</p> <p><b>OBSELETE PACKAGE</b><br/>Consider the N Packages for Alternate Source</p>   | <p>LT1079ACN<br/>LT1079CN<br/>LT1079IN</p>  |   | <p>LT1079ISW<br/>LT1079SW</p> |

10789fe

**ELECTRICAL CHARACTERISTICS**

$V_S = 5V, 0V, V_{CM} = 0.1V, V_O = 1.4V, T_A = 25^\circ C$  unless otherwise noted.

| SYMBOL                              | PARAMETER  | CONDITIONS (NOTE 2)   | LT1078AC/LT1079AC<br>LT1078AM/LT1079AM |      |      | LT1078C/LT1079C<br>LT1078I/LT1079I<br>LT1078M/LT1079M<br>LT1078S8/LT1079SW |      |            | UNITS                            |
|-------------------------------------|--|---|--|------|------|--|------|------------|----------------------------------|
|                                     |  |   | MIN                                    | TYP  | MAX  | MIN  | TYP  | MAX        |                                  |
| $V_{OS}$                            | Input Offset Voltage                                 | LT1078  |  | 30   | 70   |  | 40   | 120        | $\mu V$                          |
|                                     |  | LT1078IS8/LT1078S8  |  |      |      |  | 60   | 180        | $\mu V$                          |
|                                     |  | LT1079  |  | 35   | 100  |  | 40   | 150        | $\mu V$                          |
|                                     |  | LT1079ISW/LT1079SW  |  |      |      |  | 60   | 300        | $\mu V$                          |
| $\frac{\Delta V_{OS}}{\Delta Time}$ | Long Term Input Offset Voltage Stability             |   |  | 0.4  |      |  | 0.5  | $\mu V/Mo$ |                                  |
| $I_{OS}$                            | Input Offset Current                                 |   |  | 0.05 | 0.25 |  | 0.05 | 0.35       | nA                               |
| $I_B$                               | Input Bias Current                                   |   |  | 6    | 8    |  | 6    | 10         | nA                               |
| $e_n$                               | Input Noise Voltage                                  | 0.1Hz to 10Hz (Note 3)  |  | 0.6  | 1.2  |  | 0.6  |            | $\mu V_{P-P}$                    |
|                                     | Input Noise Voltage Density                          | $f_0 = 10Hz$ (Note 3)<br>$f_0 = 1000Hz$ (Note 3)                                  |  | 29   | 45   |  | 29   |            | $nV/\sqrt{Hz}$<br>$nV/\sqrt{Hz}$ |
| $i_n$                               | Input Noise Current                                  | 0.1Hz to 10Hz (Note 3)  |  | 2.3  | 4.0  |  | 2.3  |            | $pA_{P-P}$                       |
|                                     | Input Noise Current Density                          | $f_0 = 10Hz$ (Note 3)<br>$f_0 = 1000Hz$   |  | 0.06 | 0.10 |  | 0.06 |            | $pA/\sqrt{Hz}$<br>$pA/\sqrt{Hz}$ |
|                                     | Input Resistance<br>Differential Mode<br>Common Mode | (Note 4)  | 400                                    | 800  | 6    | 300  | 800  | 6          | $M\Omega$<br>$G\Omega$           |
|                                     | Input Voltage Range                                  |   | 3.5                                    | 3.8  | 0    | 3.5  | 3.8  | 0          | V<br>V                           |
| CMRR                                | Common Mode Rejection Ratio                          | $V_{CM} = 0V$ to 3.5V   |  | 97   | 110  |  | 94   | 108        | dB                               |
| PSRR                                | Power Supply Rejection Ratio                         | $V_S = 2.3V$ to 12V   |  | 102  | 114  |  | 100  | 114        | dB                               |
| $A_{VOL}$                           | Large-Signal Voltage Gain                            | $V_O = 0.03V$ to 4V, No Load<br>$V_O = 0.03V$ to 3.5V, $R_L = 50k$                |  | 200  | 1000 |  | 150  | 1000       | V/mV<br>V/mV                     |
|                                     | Maximum Output Voltage Swing                         | Output Low, No Load<br>Output Low, 2k to GND<br>Output Low, $I_{SINK} = 100\mu A$ |  | 3.5  | 6    |  | 3.5  | 6          | mV<br>mV<br>mV                   |
|                                     |  | Output High, No Load<br>Output High, 2k to GND                                    |  | 4.2  | 4.4  |  | 4.2  | 4.4        | V<br>V                           |
| SR                                  | Slew Rate  | $A_V = 1, V_S = \pm 2.5V$   |  | 0.04 | 0.07 |  | 0.04 | 0.07       | V/ $\mu s$                       |
| GBW                                 | Gain Bandwidth Product                               | $f_0 \leq 20kHz$  |  | 200  |      |  | 200  |            | kHz                              |
| $I_S$                               | Supply Current per Amplifier                         |   |  | 38   | 50   |  | 39   | 55         | $\mu A$                          |
|                                     | Channel Separation                                   | $\Delta V_{IN} = 3V, R_L = 10k$   |  | 130  |      |  | 130  |            | dB                               |
|                                     | Minimum Supply Voltage                               | (Note 5)  |  | 2.2  | 2.3  |  | 2.2  | 2.3        | V                                |

# LT1078/LT1079

**ELECTRICAL CHARACTERISTICS** The ● denotes the specifications which apply over the temperature range  $-40^{\circ}\text{C} \leq T_A \leq 85^{\circ}\text{C}$  for I grades,  $-55^{\circ}\text{C} \leq T_A \leq 125^{\circ}\text{C}$  for AM/M grades.  $V_S = 5\text{V}$ ,  $0\text{V}$ ,  $V_{\text{CM}} = 0.1\text{V}$ ,  $V_O = 1.4\text{V}$  unless otherwise noted.

| SYMBOL                                  | PARAMETER                              | CONDITIONS   |   | LT1078AM/LT1079AM |      |      | LT1078I/LT1079I<br>LT1078M/LT1079M |      |      | UNITS                          |
|---|--|--|---|-------------------|------|------|------------------------------------|------|------|--------------------------------|
|   |  |  |   | MIN               | TYP  | MAX  | MIN                                | TYP  | MAX  |                                |
| $V_{\text{OS}}$                         | Input Offset Voltage                   | LT1078   | ● |                   | 70   | 250  |                                    | 95   | 370  | $\mu\text{V}$                  |
|   |  | LT1078IS8/LT1079   | ● |                   | 80   | 280  |                                    | 100  | 400  | $\mu\text{V}$                  |
|   |  | LT1079ISW  | ● |                   |      |      |                                    | 100  | 560  | $\mu\text{V}$                  |
| $\frac{\Delta V_{\text{OS}}}{\Delta T}$ | Input Offset Voltage Drift<br>(Note 6) | LT1078IS8  | ● |                   | 0.4  | 1.8  |                                    | 0.5  | 2.5  | $\mu\text{V}/^{\circ}\text{C}$ |
|   |  | LT1079ISW  | ● |                   |      |      |                                    | 0.6  | 3.5  | $\mu\text{V}/^{\circ}\text{C}$ |
|   |  |  | ● |                   |      |      |                                    | 0.7  | 4.0  | $\mu\text{V}/^{\circ}\text{C}$ |
| $I_{\text{OS}}$                         | Input Offset Current                   | LT1078I/LT1079I  | ● |                   | 0.07 | 0.50 |                                    | 0.07 | 0.70 | nA                             |
|   |  |  | ● |                   |      |      |                                    | 0.1  | 1.0  | nA                             |
| $I_B$                                   | Input Bias Current                     |  | ● |                   | 7    | 10   |                                    | 7    | 12   | nA                             |
| CMRR                                    | Common Mode Rejection Ratio            | $V_{\text{CM}} = 0.05\text{V}$ to $3.2\text{V}$            | ● | 92                | 106  |      | 88                                 | 104  |      | dB                             |
| PSRR                                    | Power Supply Rejection Ratio           | $V_S = 3.1\text{V}$ to $12\text{V}$                        | ● | 98                | 110  |      | 94                                 | 110  |      | dB                             |
| $A_{\text{VOL}}$                        | Large-Signal Voltage Gain              | $V_O = 0.05\text{V}$ to $4\text{V}$ , No Load              | ● | 110               | 600  |      | 80                                 | 600  |      | V/mV                           |
|   |  | $V_O = 0.05\text{V}$ to $3.5\text{V}$ , $R_L = 50\text{k}$ | ● | 80                | 400  |      | 60                                 | 400  |      | V/mV                           |
|   | Maximum Output Voltage Swing           | Output Low, No Load  | ● |                   | 4.5  | 8    |                                    | 4.5  | 8    | mV                             |
|   |  | Output Low, $I_{\text{SINK}} = 100\mu\text{A}$             | ● |                   | 125  | 170  |                                    | 125  | 170  | mV                             |
|   |  | Output High, No Load                                       | ● | 3.9               | 4.2  |      | 3.9                                | 4.2  |      | V                              |
|   |  | Output High, $2\text{k}$ to GND                            | ● | 3.0               | 3.7  |      | 3.0                                | 3.7  |      | V                              |
| $I_S$                                   | Supply Current per Amplifier           |  | ● |                   | 43   | 60   |                                    | 45   | 70   | $\mu\text{A}$                  |

The ● denotes the specifications which apply over the temperature range  $0^{\circ}\text{C} \leq T_A \leq 70^{\circ}\text{C}$ .  $V_S = 5\text{V}$ ,  $0\text{V}$ ,  $V_{\text{CM}} = 0.1\text{V}$ ,  $V_O = 1.4\text{V}$  unless otherwise noted.

| SYMBOL                                  | PARAMETER                              | CONDITIONS   |   | LT1078AC/LT1079AC |      |      | LT1078C/LT1079C<br>LT1078S8/LT1079SW |      |      | UNITS                          |
|---|--|--|---|-------------------|------|------|--------------------------------------|------|------|--------------------------------|
|   |  |  |   | MIN               | TYP  | MAX  | MIN                                  | TYP  | MAX  |                                |
| $V_{\text{OS}}$                         | Input Offset Voltage                   | LT1078   | ● |                   | 50   | 150  |                                      | 60   | 240  | $\mu\text{V}$                  |
|   |  | LT1079   | ● |                   | 60   | 180  |                                      | 70   | 270  | $\mu\text{V}$                  |
|   |  | LT1078S8   | ● |                   |      |      |                                      | 85   | 350  | $\mu\text{V}$                  |
|   |  | LT1079SW   | ● |                   |      |      |                                      | 90   | 480  | $\mu\text{V}$                  |
| $\frac{\Delta V_{\text{OS}}}{\Delta T}$ | Input Offset Voltage Drift<br>(Note 6) | LT1078S8   | ● |                   | 0.4  | 1.8  |                                      | 0.5  | 2.5  | $\mu\text{V}/^{\circ}\text{C}$ |
|   |  | LT1079SW   | ● |                   |      |      |                                      | 0.6  | 3.5  | $\mu\text{V}/^{\circ}\text{C}$ |
|   |  |  | ● |                   |      |      |                                      | 0.7  | 4.0  | $\mu\text{V}/^{\circ}\text{C}$ |
| $I_{\text{OS}}$                         | Input Offset Current                   |  | ● |                   | 0.06 | 0.35 |                                      | 0.06 | 0.50 | nA                             |
| $I_B$                                   | Input Bias Current                     |  | ● |                   | 6    | 9    |                                      | 6    | 11   | nA                             |
| CMRR                                    | Common Mode Rejection Ratio            | $V_{\text{CM}} = 0\text{V}$ to $3.4\text{V}$               | ● | 94                | 108  |      | 90                                   | 106  |      | dB                             |
| PSRR                                    | Power Supply Rejection Ratio           | $V_S = 2.6\text{V}$ to $12\text{V}$                        | ● | 100               | 112  |      | 97                                   | 112  |      | dB                             |
| $A_{\text{VOL}}$                        | Large-Signal Voltage Gain              | $V_O = 0.05\text{V}$ to $4\text{V}$ , No Load              | ● | 150               | 750  |      | 110                                  | 750  |      | V/mV                           |
|   |  | $V_O = 0.05\text{V}$ to $3.5\text{V}$ , $R_L = 50\text{k}$ | ● | 110               | 500  |      | 80                                   | 500  |      | V/mV                           |
|   | Maximum Output Voltage Swing           | Output Low, No Load  | ● |                   | 4.0  | 7    |                                      | 4.0  | 7    | mV                             |
|   |  | Output Low, $I_{\text{SINK}} = 100\mu\text{A}$             | ● |                   | 105  | 150  |                                      | 105  | 150  | mV                             |
|   |  | Output High, No Load                                       | ● | 4.1               | 4.3  |      | 4.1                                  | 4.3  |      | V                              |
|   |  | Output High, $2\text{k}$ to GND                            | ● | 3.3               | 3.8  |      | 3.3                                  | 3.8  |      | V                              |
| $I_S$                                   | Supply Current per Amplifier           |  | ● |                   | 40   | 55   |                                      | 42   | 63   | $\mu\text{A}$                  |

**ELECTRICAL CHARACTERISTICS**

$V_S = \pm 15V$ ,  $T_A = 25^\circ C$  unless otherwise noted.

| SYMBOL    | PARAMETER                    | CONDITIONS  | LT1078AC/LT1079AC<br>LT1078AM/LT1079AM |                          |      | LT1078C/LT1079C<br>LT1078I/LT1079I<br>LT1078M/LT1079M<br>LT1078S8/LT1079SW |                          |                    | UNITS   |
|-----------|------------------------------|---|--|--------------------------|------|--|--------------------------|--------------------|---------|
|           |                              |   | MIN                                    | TYP                      | MAX  | MIN  | TYP                      | MAX                |         |
| $V_{OS}$  | Input Offset Voltage         | (Including LT1078IS8/LT1078S8)<br>LT1079ISW/LT1079SW    |  | 50                       | 250  | 70   | 350                      | $\mu V$<br>$\mu V$ |         |
| $I_{OS}$  | Input Offset Current         |   |  | 0.05                     | 0.25 | 0.05   | 0.35                     | nA                 |         |
| $I_B$     | Input Bias Current           |   |  | 6                        | 8    | 6  | 10                       | nA                 |         |
|           | Input Voltage Range          |   | 13.5<br>-15.0                          | 13.8<br>-15.3            |      | 13.5<br>-15.0  | 13.8<br>-15.3            | V<br>V             |         |
| CMRR      | Common Mode Rejection Ratio  | $V_{CM} = 13.5V, -15V$                                  | 100                                    | 114                      |      | 97   | 114                      | dB                 |         |
| PSRR      | Power Supply Rejection Ratio | $V_S = 5V, 0V$ to $\pm 18V$                             | 102                                    | 114                      |      | 100  | 114                      | dB                 |         |
| $A_{VOL}$ | Large-Signal Voltage Gain    | $V_O = \pm 10V, R_L = 50k$<br>$V_O = \pm 10V, R_L = 2k$ | 1000<br>400                            | 5000<br>1100             |      | 1000<br>300  | 5000<br>1100             | V/mV<br>V/mV       |         |
| $V_{OUT}$ | Maximum Output Voltage Swing | $R_L = 50k$<br>$R_L = 2k$                               | $\pm 13.0$<br>$\pm 11.0$               | $\pm 14.0$<br>$\pm 13.2$ |      | $\pm 13.0$<br>$\pm 11.0$   | $\pm 14.0$<br>$\pm 13.2$ | V<br>V             |         |
| SR        | Slew Rate                    |   | 0.06                                   | 0.10                     |      | 0.06   | 0.10                     | V/ $\mu s$         |         |
| $I_S$     | Supply Current per Amplifier |   |  | 46                       | 65   |  | 47                       | 75                 | $\mu A$ |

The ● denotes the specifications which apply over the temperature range  $-40^\circ C \leq T_A \leq 85^\circ C$  for I grades,  $-55^\circ C \leq T_A \leq 125^\circ C$  for AM/M grades.  $V_S = \pm 15V$  unless otherwise noted.

| SYMBOL                           | PARAMETER                              | CONDITIONS                         | LT1078AM/LT1079AM |            |            | LT1078I/LT1079I<br>LT1078M/LT1079M |            |  | UNITS |
|----------------------------------|--|------------------------------------|-------------------|------------|------------|------------------------------------|------------|--|-------|
|                                  |  |                                    | MIN               | TYP        | MAX        | MIN                                | TYP        | MAX  |       |
| $V_{OS}$                         | Input Offset Voltage                   | (Including LT1078IS8)<br>LT1079ISW |                   | 90         | 430        | 120                                | 600        | $\mu V$<br>$\mu V$                                       |       |
| $\frac{\Delta V_{OS}}{\Delta T}$ | Input Offset Voltage Drift<br>(Note 6) | LT1078IS8<br>LT1079ISW             |                   | 0.5        | 1.8        | 0.6                                | 2.5        | $\mu V/^\circ C$<br>$\mu V/^\circ C$<br>$\mu V/^\circ C$ |       |
| $I_{OS}$                         | Input Offset Current                   | LT1078I/LT1079I                    |                   | 0.07       | 0.50       | 0.07                               | 0.70       | nA<br>nA   |       |
| $I_B$                            | Input Bias Current                     |                                    |                   | 7          | 10         | 7                                  | 12         | nA   |       |
| $A_{VOL}$                        | Large-Signal Voltage Gain              | $V_O = \pm 10V, R_L = 5k$          |                   | 200        | 700        | 150                                | 700        | V/mV   |       |
| CMRR                             | Common Mode Rejection Ratio            | $V_{CM} = 13V, -14.9V$             |                   | 94         | 110        | 90                                 | 110        | dB   |       |
| PSRR                             | Power Supply Rejection Ratio           | $V_S = 5V, 0V$ to $\pm 18V$        |                   | 98         | 110        | 94                                 | 110        | dB   |       |
|                                  | Maximum Output Voltage Swing           | $R_L = 5k$                         |                   | $\pm 11.0$ | $\pm 13.5$ | $\pm 11.0$                         | $\pm 13.5$ | V  |       |
| $I_S$                            | Supply Current per Amplifier           |                                    |                   | 52         | 80         | 54                                 | 95         | $\mu A$  |       |

# LT1078/LT1079

## ELECTRICAL CHARACTERISTICS

The ● denotes the specifications which apply over the temperature range

$0^{\circ}\text{C} \leq T_A \leq 70^{\circ}\text{C}$ .  $V_S = \pm 15\text{V}$  unless otherwise noted.

| SYMBOL                           | PARAMETER                              | CONDITIONS  |   | LT1078AC/LT1079AC |            |     | LT1078C/LT1079C<br>LT1078S8/LT1079SW |            |                                | UNITS |     |                                |
|----------------------------------|--|---|---|-------------------|------------|-----|--------------------------------------|------------|--------------------------------|-------|-----|--------------------------------|
|                                  |  |   |   | MIN               | TYP        | MAX | MIN                                  | TYP        | MAX                            |       |     |                                |
| $V_{OS}$                         | Input Offset Voltage                   | LT1078S8<br>LT1079SW                                | ● | 70                | 330        |     | 90                                   | 460        | $\mu\text{V}$                  |       |     |                                |
|                                  |  |   | ● |                   |            |     |                                      |            |                                | 100   | 540 | $\mu\text{V}$                  |
|                                  |  |   | ● |                   |            |     |                                      |            |                                | 115   | 750 | $\mu\text{V}$                  |
| $\frac{\Delta V_{OS}}{\Delta T}$ | Input Offset Voltage Drift<br>(Note 6) | LT1078S8<br>LT1079SW                                | ● | 0.5               | 1.8        |     | 0.6                                  | 2.5        | $\mu\text{V}/^{\circ}\text{C}$ |       |     |                                |
|                                  |  |   | ● |                   |            |     |                                      |            |                                | 0.7   | 3.8 | $\mu\text{V}/^{\circ}\text{C}$ |
|                                  |  |   | ● |                   |            |     |                                      |            |                                | 0.8   | 5.0 | $\mu\text{V}/^{\circ}\text{C}$ |
| $I_{OS}$                         | Input Offset Current                   |   | ● | 0.06              | 0.35       |     | 0.06                                 | 0.50       | nA                             |       |     |                                |
| $I_B$                            | Input Bias Current                     |   | ● | 6                 | 9          |     | 6                                    | 11         | nA                             |       |     |                                |
| $A_{VOL}$                        | Large-Signal Voltage Gain              | $V_O = \pm 10\text{V}$ , $R_L = 5\text{k}$          | ● | 300               | 1200       |     | 250                                  | 1200       | V/mV                           |       |     |                                |
| CMRR                             | Common Mode Rejection Ratio            | $V_{CM} = 13\text{V}$ , $-15\text{V}$               | ● | 97                | 112        |     | 94                                   | 112        | dB                             |       |     |                                |
| PSRR                             | Power Supply Rejection Ratio           | $V_S = 5\text{V}$ , $0\text{V}$ to $\pm 18\text{V}$ | ● | 100               | 112        |     | 97                                   | 112        | dB                             |       |     |                                |
|                                  | Maximum Output Voltage Swing           | $R_L = 5\text{k}$                                   | ● | $\pm 11.0$        | $\pm 13.6$ |     | $\pm 11.0$                           | $\pm 13.6$ | V                              |       |     |                                |
| $I_S$                            | Supply Current per Amplifier           |   | ● | 49                | 73         |     | 50                                   | 85         | $\mu\text{A}$                  |       |     |                                |

**Note 1:** Absolute Maximum Ratings are those values beyond which the life of a device may be impaired.

**Note 2:** Typical parameters are defined as the 60% yield of parameter distributions of individual amplifiers, i.e., out of 100 LT1079s (or 100 LT1078s) typically 240 op amps (or 120) will be better than the indicated specification.

**Note 3:** This parameter is tested on a sample basis only. All noise parameters are tested with  $V_S = \pm 2.5\text{V}$ ,  $V_O = 0\text{V}$ .

**Note 4:** This parameter is guaranteed by design and is not tested.

**Note 5:** Power supply rejection ratio is measured at the minimum supply voltage. The op amps actually work at 1.8V supply but with a typical offset skew of  $-300\mu\text{V}$ .

**Note 6:** This parameter is not 100% tested.

# TYPICAL PERFORMANCE CHARACTERISTICS

Supply Current vs Temperature



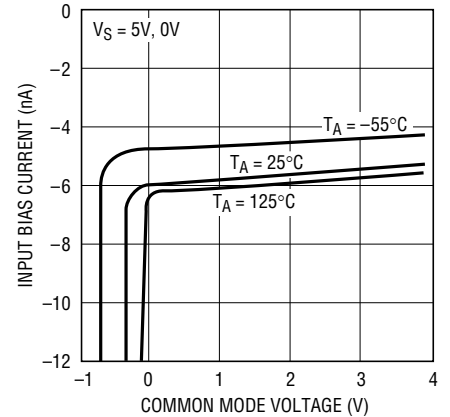
LT1078/79 • TPC01

Input Bias and Offset Currents vs Temperature



LT1078/79 • TPC02

Input Bias Current vs Common Mode Voltage



LT1078/79 • TPC03

0.1Hz to 10Hz Noise



LT1078/79 • TPC04

0.01Hz to 10Hz Noise



LT1078/79 • TPC05

Noise Spectrum



LT1078/79 • TPC06

10Hz Voltage Noise Distribution



LT1078/79 • TPC07

Distribution of Offset Voltage Drift with Temperature (In All Packages Except Surface Mount)



LT1078/79 • TPC08

Long Term Stability of Two Representative Units (LT1078)

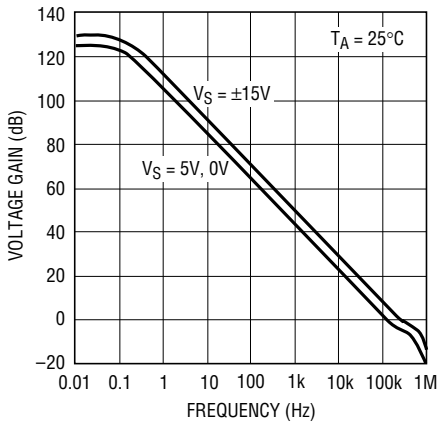


LT1078/79 • TPC09



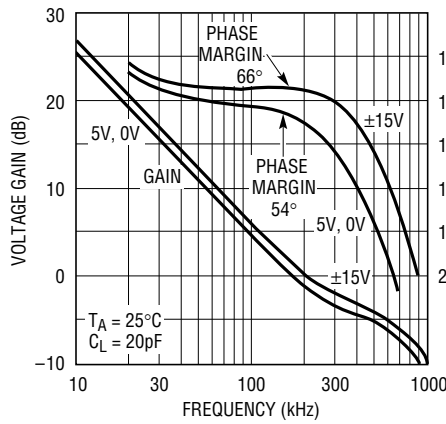
# TYPICAL PERFORMANCE CHARACTERISTICS

Voltage Gain vs Frequency



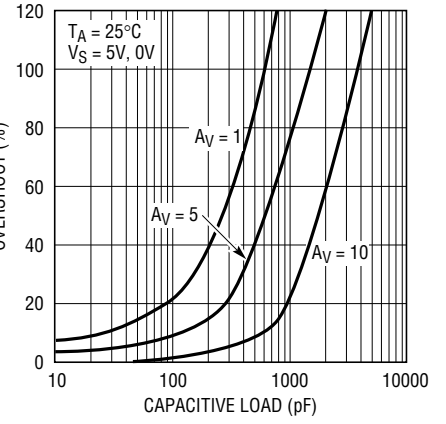
LT1078/79 • TPC10

Gain, Phase vs Frequency



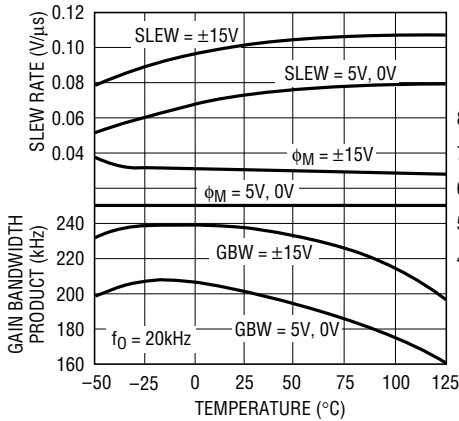
LTC1078/79 TPC11

Capacitive Load Handling



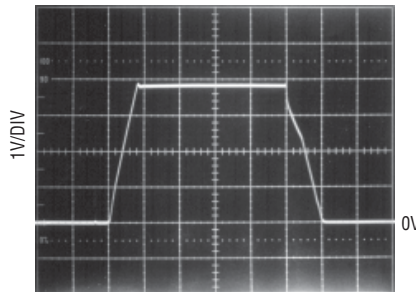
LT1078/79 • TPC12

Slew Rate, Gain Bandwidth Product and Phase Margin vs Temperature



LT1078/79 • TPC13

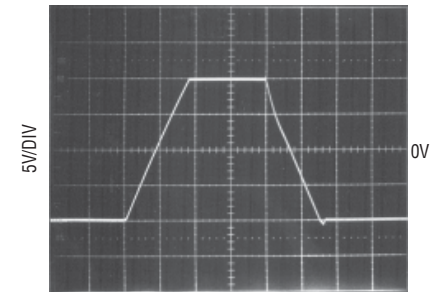
Large-Signal Transient Response V\_S = 5V, 0V



A\_V = 1, NO LOAD  
INPUT PULSE 0V TO 3.8V

LT1078/79 • TPC27

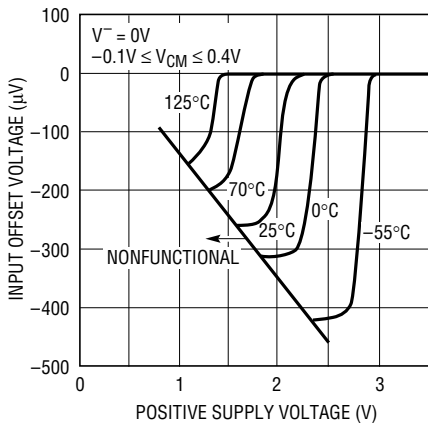
Large-Signal Transient Response V\_S = ±15V



A\_V = 1  
NO LOAD

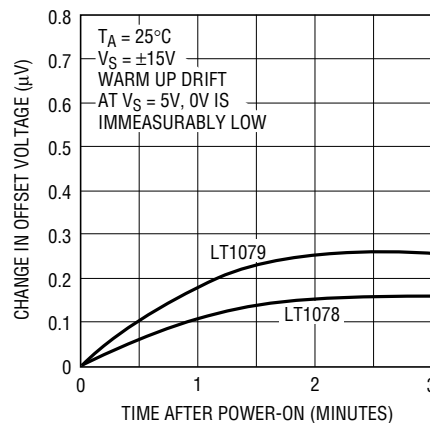
LT1078/79 • TPC28

Minimum Supply Voltage



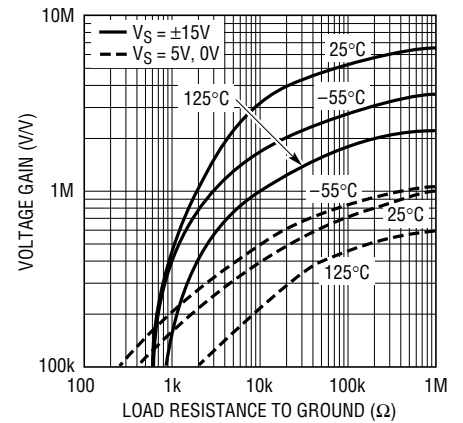
LT1078/79 • TPC16

Warm-Up Drift



LT1078/79 • TPC17

Voltage Gain vs Load Resistance



LT1078/79 • TPC18



# TYPICAL PERFORMANCE CHARACTERISTICS

**Output Saturation vs Temperature vs Sink Current**



LT1078/79 • TPC19

**Output Voltage Swing vs Load Current**



LT1078/79 • TPC20

**Distribution of Input Offset Voltage (LT1078 in 8-Pin SO Package)**



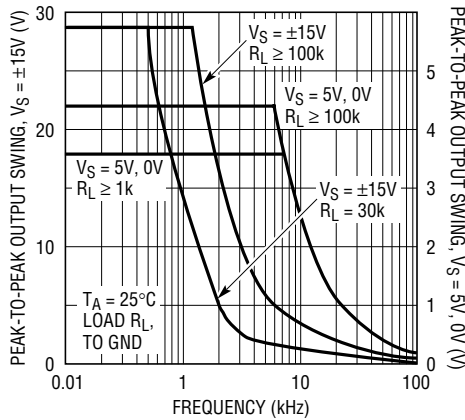
LT1078/79 • TPC21

**Common Mode Range vs Temperature**



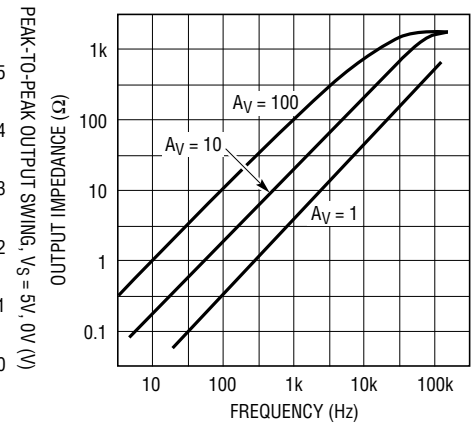
LT1078/79 • TPC22

**Undistorted Output Swing vs Frequency**



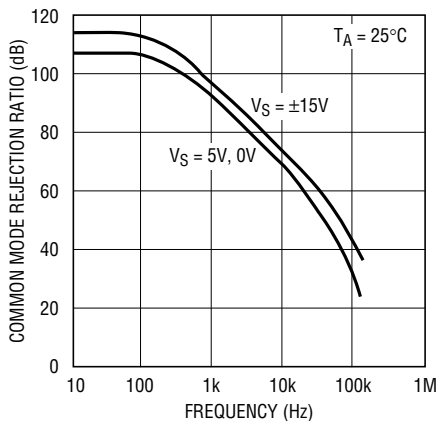
LT1078/79 • TPC23

**Closed Loop Output Impedance**



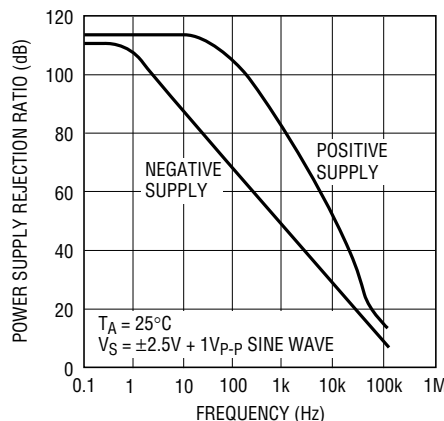
LT1078/79 • TPC24

**Common Mode Rejection Ratio vs Frequency**



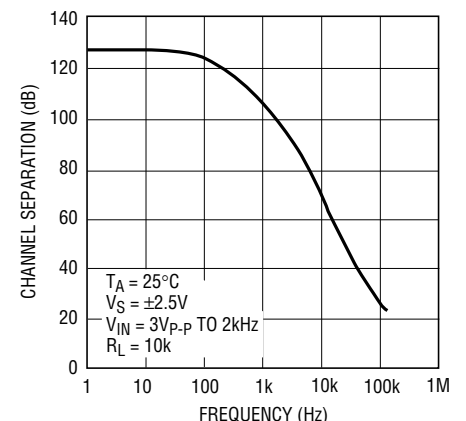
LT1078/79 • TPC25

**Power Supply Rejection Ratio vs Frequency**



LT1078/79 • TPC26

**Channel Separation vs Frequency**



LT1078/79 • TPC27

## TYPICAL PERFORMANCE CHARACTERISTICS

**Small-Signal Transient Response**  
 $V_S = 5V, 0V$



**Small-Signal Transient Response**  
 $V_S = \pm 2.5V$



**Small-Signal Transient Response**  
 $V_S = \pm 15V$



## APPLICATIONS INFORMATION

The LT1078/LT1079 devices are fully specified with  $V^+ = 5V$ ,  $V^- = 0V$ ,  $V_{CM} = 0.1V$ . This set of operating conditions appears to be the most representative for battery-powered micropower circuits. Offset voltage is internally trimmed to a minimum value at these supply voltages. When 9V or 3V batteries or  $\pm 2.5V$  dual supplies are used, bias and offset current changes will be minimal. Offset voltage changes will be just a few microvolts as given by the PSRR and CMRR specifications. For example, if  $PSRR = 114dB (= 2\mu V/V)$ , at 9V the offset voltage change will be  $8\mu V$ . Similarly,  $V_S = \pm 2.5V$ ,  $V_{CM} = 0V$  is equivalent to a common mode voltage change of 2.4V or a  $V_{OS}$  change of  $7\mu V$  if  $CMRR = 110dB (3\mu V/V)$ .

A full set of specifications is also provided at  $\pm 15V$  supply voltages for comparison with other devices and for completeness.

### Single Supply Operation

The LT1078/LT1079 are fully specified for single supply operation, i.e., when the negative supply is 0V. Input common mode range goes below ground and the output swings within a few millivolts of ground while sinking current. All competing micropower op amps either cannot swing to within 600mV of ground (OP-20, OP-220, OP-420) or need a pull-down resistor connected to the output to swing to ground (OP-90, OP-290, OP-490, HA5141/42/44). This

## APPLICATIONS INFORMATION

difference is critical because in many applications these competing devices cannot be operated as micropower op amps and swing to ground simultaneously.

As an example, consider the instrumentation amplifier shown on the front page. When the common mode signal is low and the output is high, amplifier A has to sink current. When the common mode signal is high and the output low, amplifier B has to sink current. The competing devices require a 12k pull-down resistor at the output of amplifier A and a 15k at the output of B to handle the specified signals. (The LT1078 does not need pull-down resistors.) When the common mode input is high and the output is high these pull-down resistors draw 300 $\mu$ A (150 $\mu$ A each), which is excessive for micropower applications.

The instrumentation amplifier is by no means the only application requiring current sinking capability. In seven of the nine single supply applications shown in this data sheet the op amps have to be able to sink current. In two of the applications the first amplifier has to sink only the 6nA input bias current of the second op amp. The competing devices, however, cannot even sink 6nA without a pull-down resistor

Since the output of the LT1078/LT1079 cannot go exactly to ground, but can only approach ground to within a few millivolts, care should be exercised to ensure that the output is not saturated. For example, a 1mV input signal will cause the amplifier to set up in its linear region in the gain 100 configuration shown in Figure 1a, but is not

enough to make the amplifier function properly in the voltage follower mode, Figure 1b.



Figure 1a. Gain 100 Amplifier



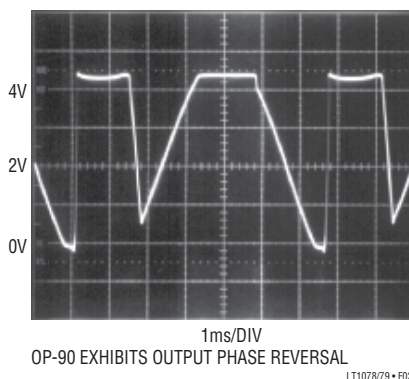
Figure 1b. Voltage Follower

Single supply operation can also create difficulties at the input. The driving signal can fall below 0V — inadvertently or on a transient basis. If the input is more than a few hundred millivolts below ground, two distinct problems can occur on previous single supply designs, such as the LM124, LM158, OP-20, OP-21, OP-220, OP-221, OP-420 (1 and 2), OP-90/290/490 (2 only):

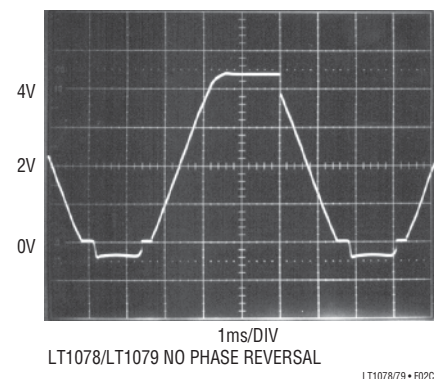
1. When the input is more than a diode drop below ground, unlimited current will flow from the substrate ( $V^-$  terminal) to the input. This can destroy the unit. On the LT1078/LT1079, resistors in series with the input protect the devices even when the input is 5V below ground.
2. When the input is more than 400mV below ground (at 25°C), the input stage saturates and phase reversal occurs at the output. This can cause lockup in servo systems. Due to a unique phase reversal protection circuitry, the LT1078/LT1079 output does not reverse, as illustrated in Figure 2, even when the inputs are at  $-1V$ .



LT1078/79 • F02a



LT1078/79 • F02b



LT1078/79 • F02c

Figure 2. Voltage Follower with Input Exceeding the Negative Common Mode Range ( $V_S = 5V, 0V$ )

## APPLICATIONS INFORMATION

### Matching Specifications

In many applications the performance of a system depends on the matching between two op amps, rather than the individual characteristics of the two devices. The two and three op amp instrumentation amplifier configurations shown in this data sheet are examples. Matching characteristics are not 100% tested on the LT1078/LT1079.

Some specifications are guaranteed by definition. For example, 70 $\mu$ V maximum offset voltage implies that mismatch cannot be more than 140 $\mu$ V. 97dB (= 14 $\mu$ V/V) CMRR means that worst-case CMRR match is 91dB (= 28 $\mu$ V/V). However, Table 1 can be used to estimate the expected matching performance at  $V_S = 5V, 0V$  between the two sides of the LT1078, and between amplifiers A and D, and between amplifiers B and C of the LT1079.

Table 1

| PARAMETER                               |        | LT1078AC/LT1079AC/LT1078AM/LT1079AM |           | LT1078C/LT1079C/LT1078M/LT1079M |           | UNITS                 |
|---|--------|-------------------------------------|-----------|---------------------------------|-----------|-----------------------|
|   |        | 50% YIELD                           | 98% YIELD | 50% YIELD                       | 98% YIELD |                       |
| $V_{OS}$ Match, $\Delta V_{OS}$         | LT1078 | 30                                  | 110       | 50                              | 190       | $\mu$ V               |
|   | LT1079 | 40                                  | 150       | 50                              | 250       | $\mu$ V               |
| Temperature Coefficient $\Delta V_{OS}$ |        | 0.5                                 | 1.2       | 0.6                             | 1.8       | $\mu$ V/ $^{\circ}$ C |
| Average Noninverting $I_B$              |        | 6                                   | 8         | 6                               | 10        | nA                    |
| Match of Noninverting $I_B$             |        | 0.12                                | 0.4       | 0.15                            | 0.5       | nA                    |
| CMRR Match                              |        | 120                                 | 100       | 117                             | 97        | dB                    |
| PSRR Match                              |        | 117                                 | 105       | 117                             | 102       | dB                    |

### Comparator Applications

The single supply operation of the LT1078/LT1079 and its ability to swing close to ground while sinking current

lends itself to use as a precision comparator with TTL compatible output.

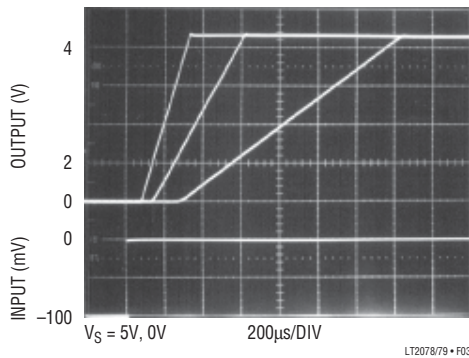


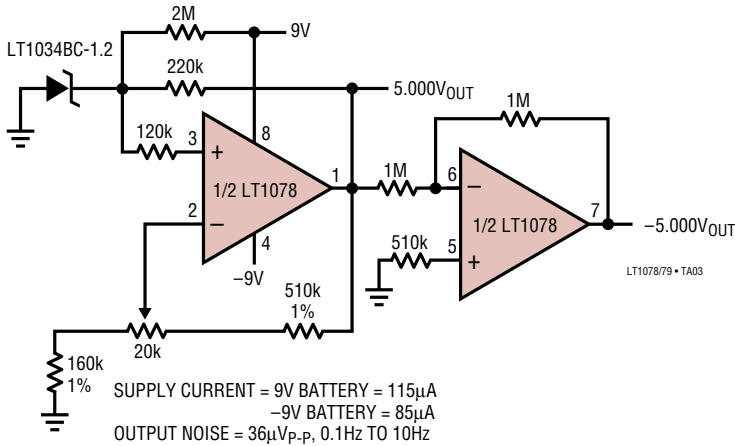
Figure 3. Comparator Rise Response Time to 10mV, 5mV, 2mV Overdrives



Figure 4. Comparator Fall Response Time to 10mV, 5mV, 2mV Overdrives

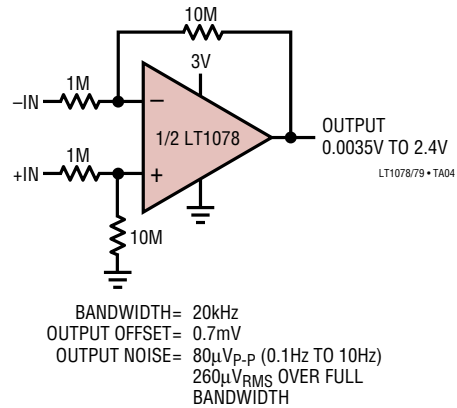
# TYPICAL APPLICATIONS

**Micropower, 10ppm/°C, ±5V Reference**



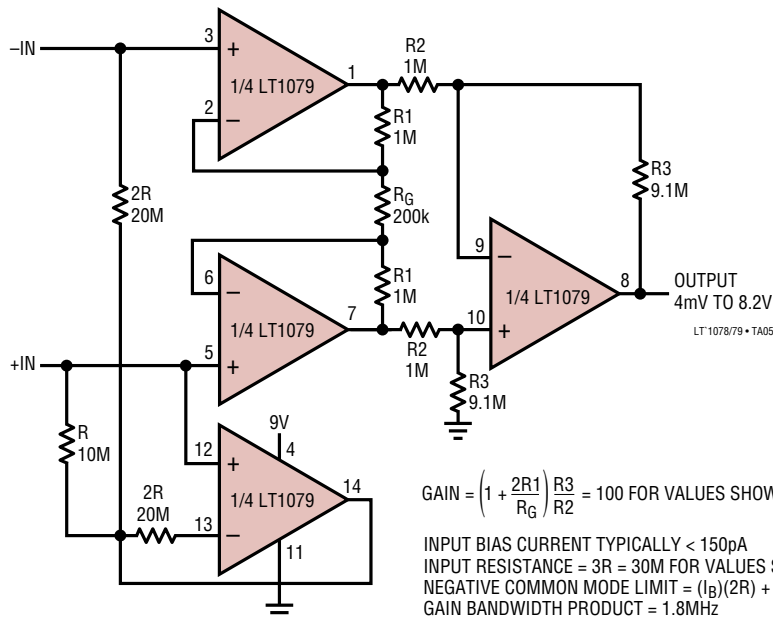
THE LT1078 CONTRIBUTES LESS THAN 3% OF THE TOTAL OUTPUT NOISE AND DRIFT WITH TIME AND TEMPERATURE. THE ACCURACY OF THE -5V OUTPUT DEPENDS ON THE MATCHING OF THE TWO 1M RESISTORS

**Gain of 10 Difference Amplifier**



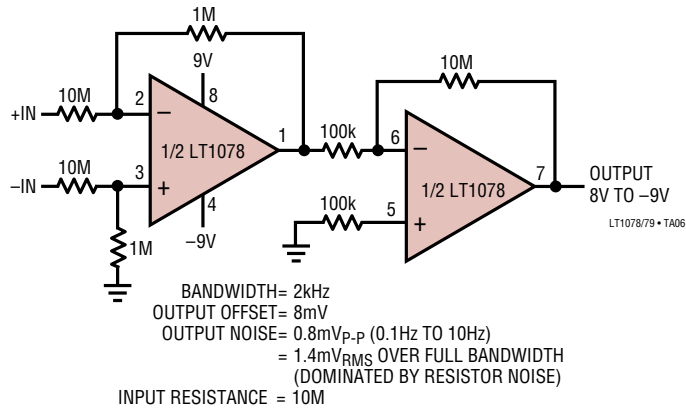
THE USEFULNESS OF DIFFERENCE AMPLIFIERS IS LIMITED BY THE FACT THAT THE INPUT RESISTANCE IS EQUAL TO THE SOURCE RESISTANCE. THE PICOAMPERE OFFSET CURRENT AND LOW CURRENT NOISE OF THE LT1078 ALLOWS THE USE OF 1M SOURCE RESISTORS WITHOUT DEGRADATION IN PERFORMANCE. IN ADDITION, WITH MEGOHM RESISTORS MICROWPOWER OPERATION CAN BE MAINTAINED

**Picoampere Input Current, Triple Op Amp Instrumentation Amplifier with Bias Current Cancellation**

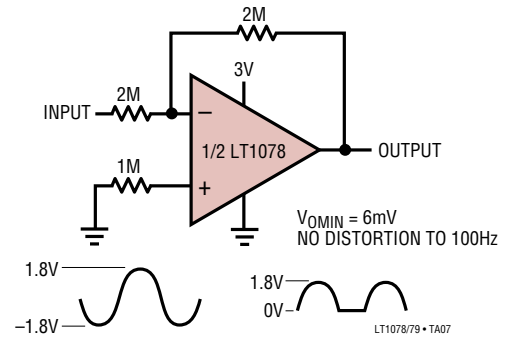


# TYPICAL APPLICATIONS

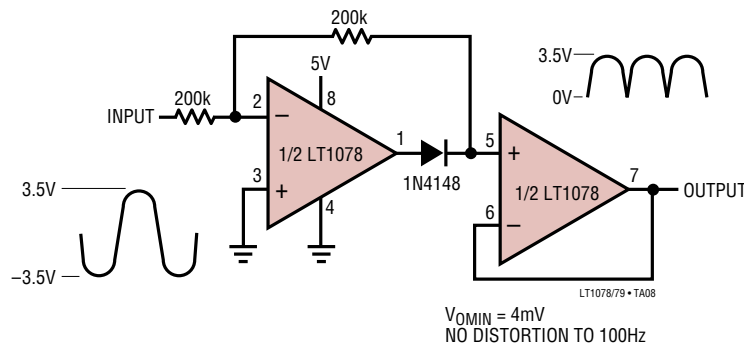
**85V, -100V Common Mode Range Instrumentation Amplifier ( $A_V = 10$ )**



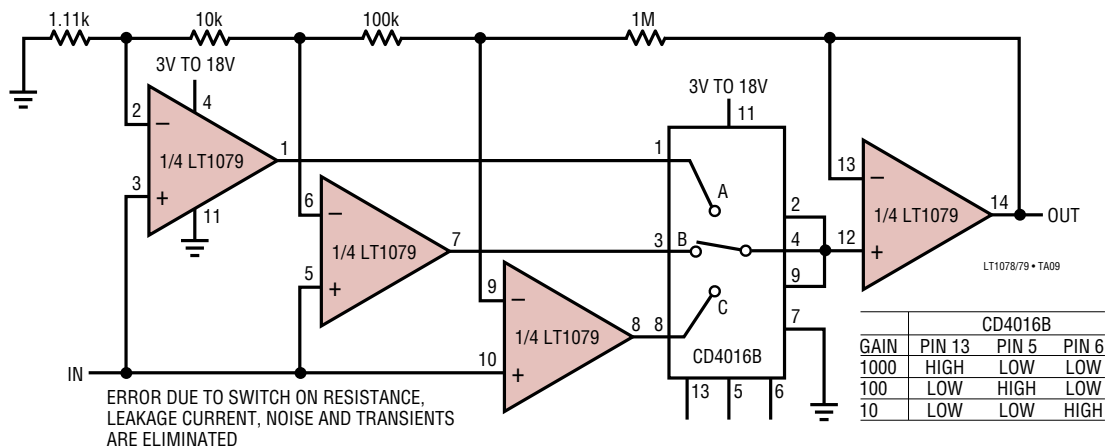
**Half-Wave Rectifier**



**Absolute Value Circuit (Full-Wave Rectifier)**

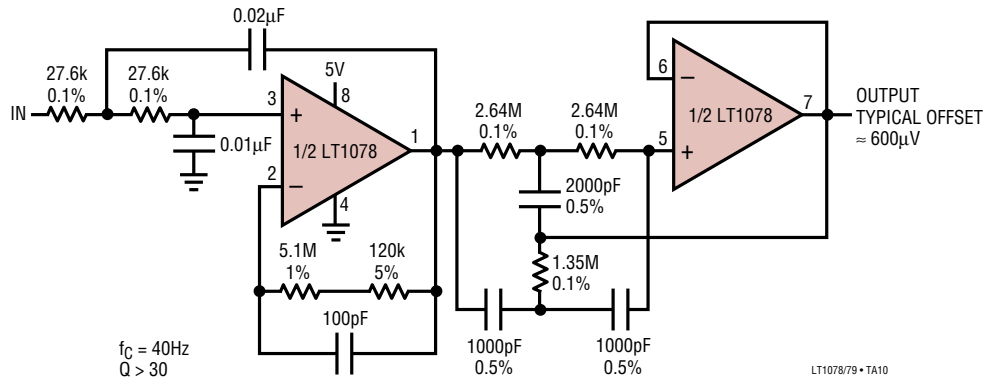


**Programmable Gain Amplifier (Single Supply)**



TYPICAL APPLICATIONS

Single Supply, Micropower, Second Order Lowpass Filter with 60Hz Notch



Micropower Multiplier/Divider



Q1, Q2, Q3, Q4 = MAT-04

TYPICAL LINEARITY = 0.01% OF FULL-SCALE OUTPUT

$$\text{OUTPUT} = \frac{(X)(Y)}{(Z)}, \text{ POSITIVE INPUTS ONLY}$$

$$\text{NEGATIVE SUPPLY CURRENT} = 165\mu\text{A} + \frac{X + Y + Z + \text{OUT}}{500\text{k}}$$

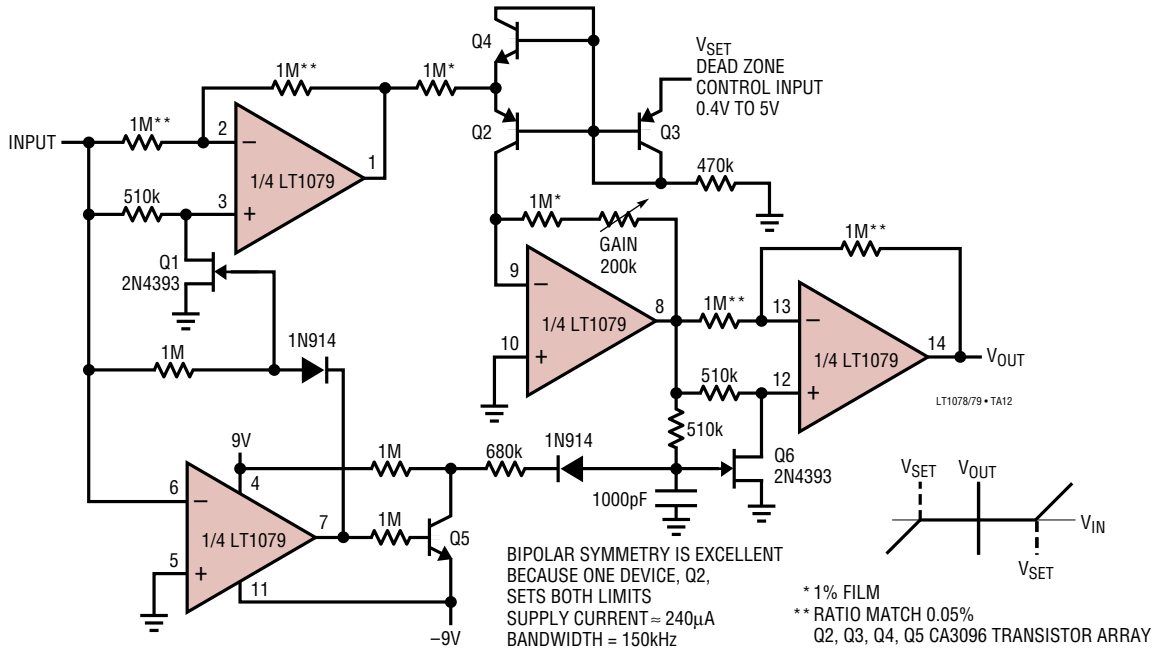
$$\text{POSITIVE SUPPLY CURRENT} = 165\mu\text{A} + \frac{\text{OUT}}{500\text{k}}$$

BANDWIDTH (< 3V<sub>p-p</sub> SIGNAL): X AND Y INPUTS = 10kHz  
Z INPUT = 4kHz



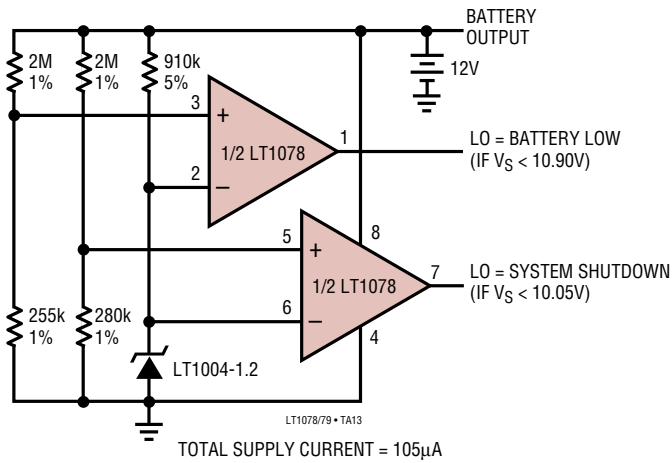
TYPICAL APPLICATIONS

Micropower Dead Zone Generator



# TYPICAL APPLICATIONS

**Lead-Acid Low-Battery Detector with System Shutdown**



**Platinum RTD Signal Conditioner with Curvature Correction**



**SIMPLIFIED SCHEMATIC**

1/2 LT1078, 1/4 LT1079



LT1078/79 - SIMPLIFIED SCHEM

**PACKAGE DESCRIPTION**

**H Package**  
**8-Lead TO-5 Metal Can (.230 Inch PCD)**  
 (Reference LTC DWG # 05-08-1321)



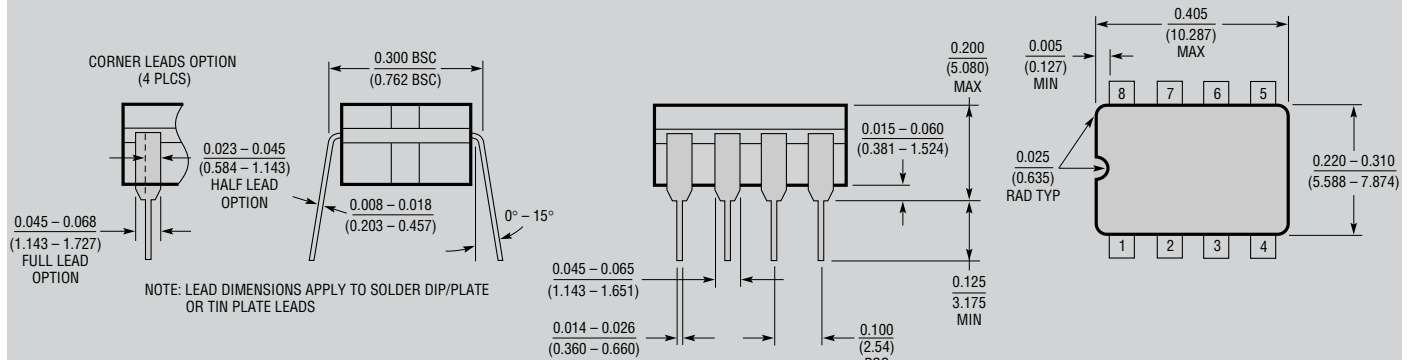
\* LEAD DIAMETER IS UNCONTROLLED BETWEEN THE REFERENCE PLANE AND 0.045" BELOW THE REFERENCE PLANE  
 \*\* FOR SOLDER DIP LEAD FINISH, LEAD DIAMETER IS 0.016 - 0.024 (0.406 - 0.610)

H8 (TO-5) 0.230 PCD 1197

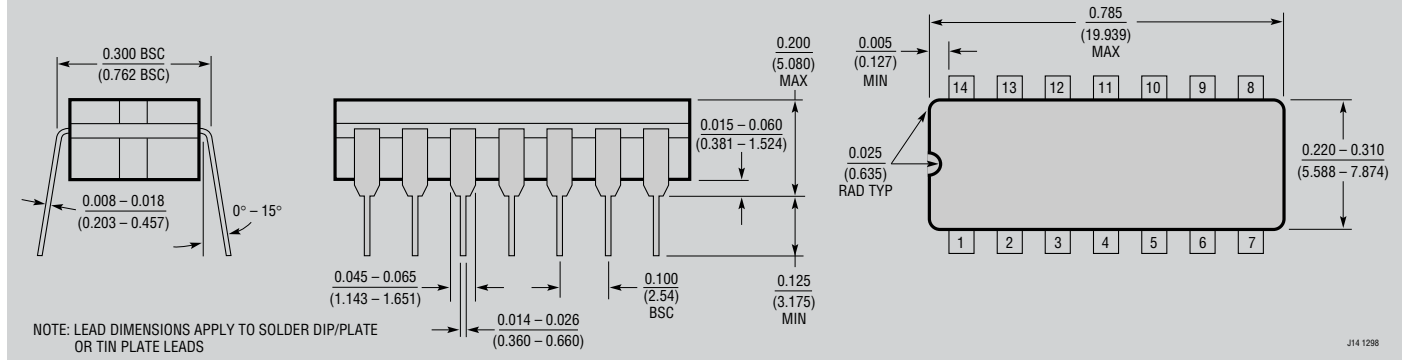
**OBSOLETE PACKAGE**

# PACKAGE DESCRIPTION

## J8 Package 8-Lead CERDIP (Narrow .300 Inch, Hermetic) (Reference LTC DWG # 05-08-1110)

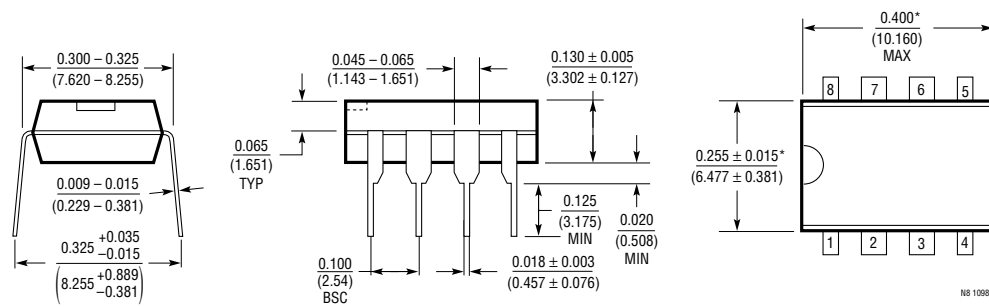


## J Package 14-Lead CERDIP (Narrow .300 Inch, Hermetic) (Reference LTC DWG # 05-08-1110)



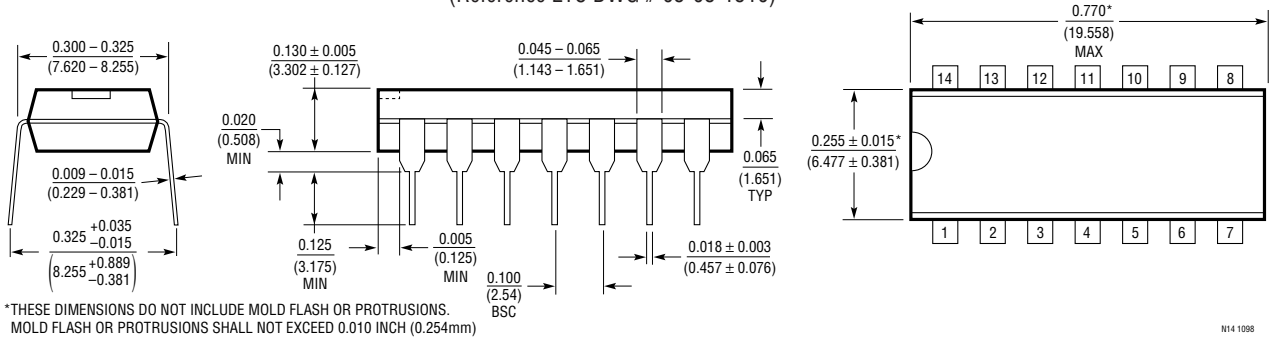
## OBSOLETE PACKAGES

## N8 Package 8-Lead PDIP (Narrow .300 Inch) (Reference LTC DWG # 05-08-1510)

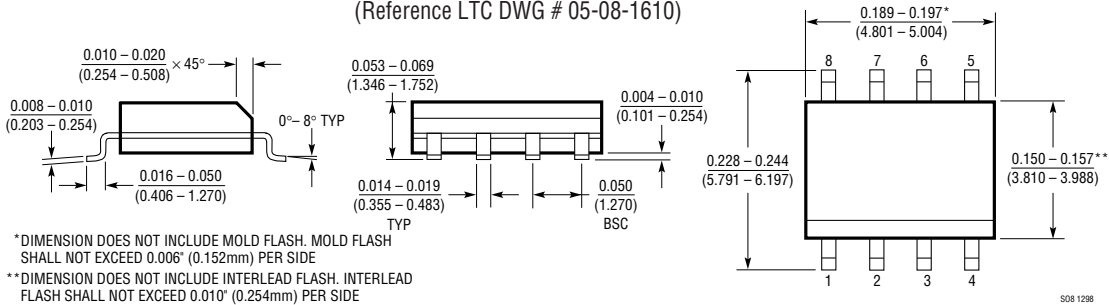


**PACKAGE DESCRIPTION**

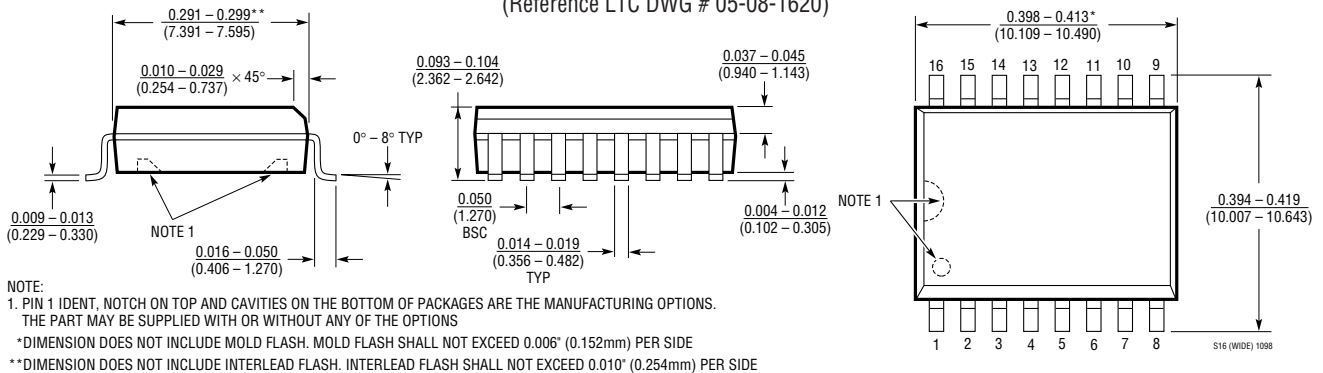
**N Package**  
**14-Lead PDIP (Narrow .300 Inch)**  
 (Reference LTC DWG # 05-08-1510)



**S8 Package**  
**8-Lead Plastic Small Outline (Narrow .150 Inch)**  
 (Reference LTC DWG # 05-08-1610)



**SW Package**  
**16-Lead Plastic Small Outline (Wide .300 Inch)**  
 (Reference LTC DWG # 05-08-1620)





Компания «ЭлектроПласт» предлагает заключение долгосрочных отношений при поставках импортных электронных компонентов на взаимовыгодных условиях!

Наши преимущества:

- Оперативные поставки широкого спектра электронных компонентов отечественного и импортного производства напрямую от производителей и с крупнейших мировых складов;
- Поставка более 17-ти миллионов наименований электронных компонентов;
- Поставка сложных, дефицитных, либо снятых с производства позиций;
- Оперативные сроки поставки под заказ (от 5 рабочих дней);
- Экспресс доставка в любую точку России;
- Техническая поддержка проекта, помощь в подборе аналогов, поставка прототипов;
- Система менеджмента качества сертифицирована по Международному стандарту ISO 9001;
- Лицензия ФСБ на осуществление работ с использованием сведений, составляющих государственную тайну;
- Поставка специализированных компонентов (Xilinx, Altera, Analog Devices, Intersil, Interpoint, Microsemi, Aeroflex, Peregrine, Syfer, Eurofarad, Texas Instrument, Miteq, Cobham, E2V, MA-COM, Hittite, Mini-Circuits, General Dynamics и др.);

Помимо этого, одним из направлений компании «ЭлектроПласт» является направление «Источники питания». Мы предлагаем Вам помощь Конструкторского отдела:

- Подбор оптимального решения, техническое обоснование при выборе компонента;
- Подбор аналогов;
- Консультации по применению компонента;
- Поставка образцов и прототипов;
- Техническая поддержка проекта;
- Защита от снятия компонента с производства.



#### Как с нами связаться

**Телефон:** 8 (812) 309 58 32 (многоканальный)

**Факс:** 8 (812) 320-02-42

**Электронная почта:** [org@eplast1.ru](mailto:org@eplast1.ru)

**Адрес:** 198099, г. Санкт-Петербург, ул. Калинина, дом 2, корпус 4, литера А.