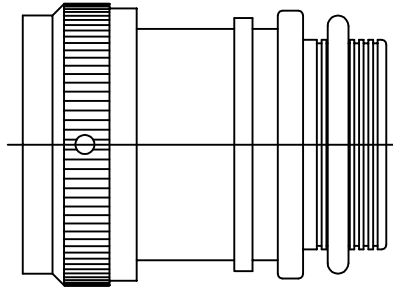


REVISIONS			
LTR	DESCRIPTION	DATE	APPROVED
F	REVISED PER ECD-12-001291	19JAN12	K. YEE
G	REVISED PER ECD-12-021161	04DEC12	G.WELLS



CODE 21
STRAIGHT ADAPTER


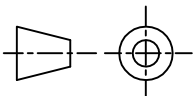
NOTES:

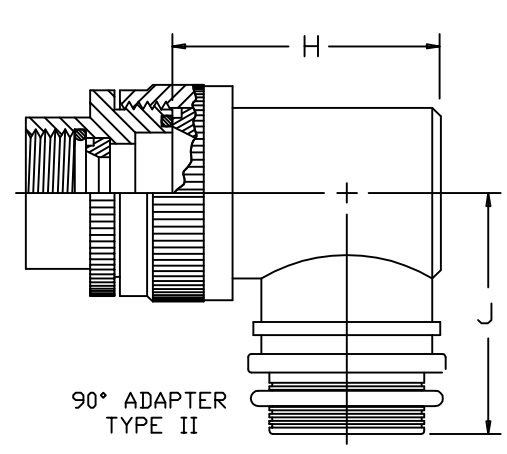
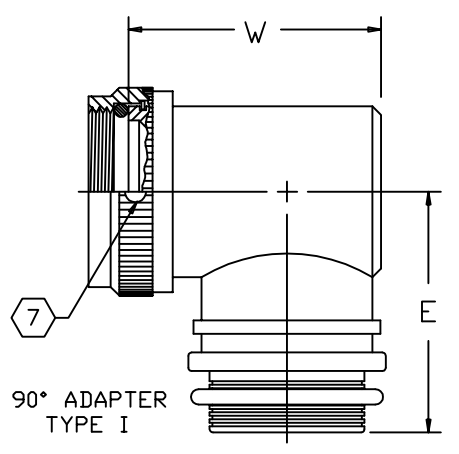
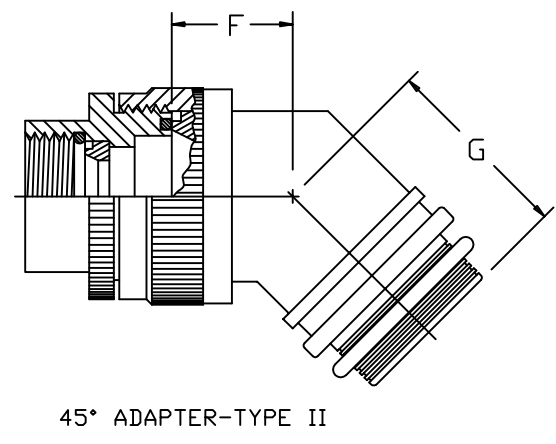
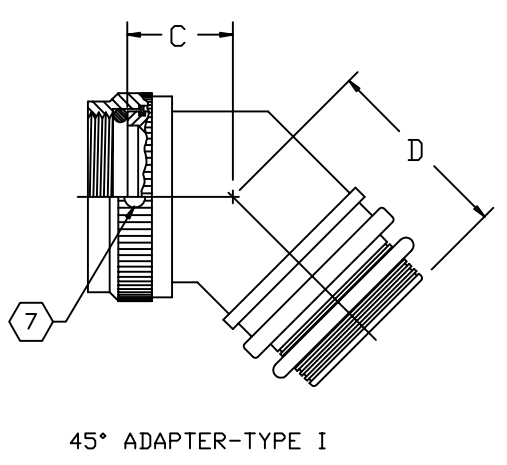
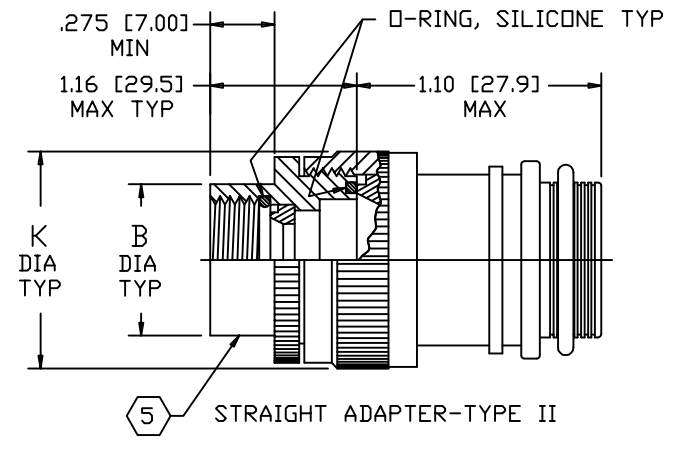
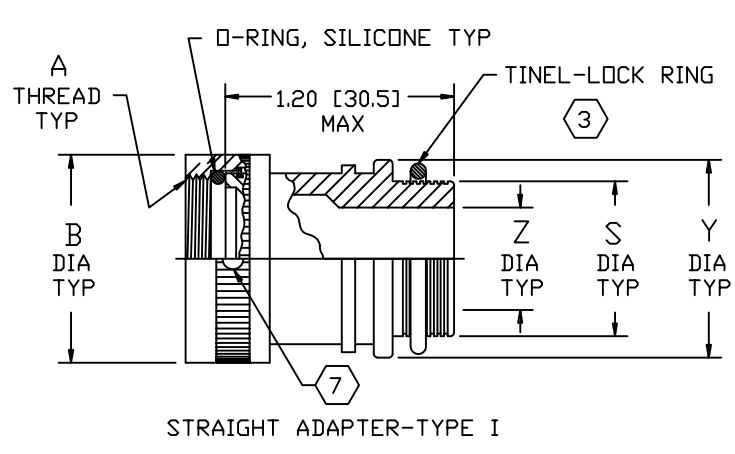
1. THIS PRODUCT IS DESIGNED TO TERMINATE A BRAIDED CABLE SHIELD AND A HEAT SHRINKABLE LIPPED BOOT TO A CONNECTOR.
2. SEE CH00-0250-008 FOR ORDERING INFORMATION, MODIFICATIONS AND ADDITIONAL DIMENSIONS.
- ③ SEE DRAWING "TR" FOR DETAIL ON TINEL-LOCK RING. RINGS ARE DESIGNED TO BE HEATED ELECTRICALLY. ALL RINGS ARE MARKED WITH THERMOCHROMIC PAINT WHICH CHANGES COLOR WHEN INSTALLATION TEMPERATURE IS REACHED.
4. ADAPTER TO BE PERMANENTLY MARKED WITH CODE IDENT. NO. AND PART NO. LESS RING DESIGNATOR (E.G.: 06090-TXR21AB00-1406). RINGS SHALL BEAR NO MARKING.
- ⑤ FOR LARGER ENTRY SIZES, A 2 PIECE ADAPTER (TYPE II) IS SUPPLIED.
- ⑥ ADAPTER MATES TO MIL-C-26482 SERIES 1, MS3110, MS3116, MS3120, MS3126, CLASS E AND F CONNECTORS.
- ⑦ ANTI-ROTATIONAL SET SCREW, 3 THREADED HOLES $120^\circ \pm 5^\circ$ APART, SINGLE MATING SET SCREW SUPPLIED: AN565DC4H2. NOT REQUIRED FOR TYPE II ADAPTERS.

If this document is printed it becomes uncontrolled. Check for the latest revision

© 2011-2012 TYCO ELECTRONICS. ALL RIGHTS RESERVED

Raychem Adapters
CUSTOMER DRAWING

DIMENSIONING AND TOLERANCING PER ASME Y14.5M (ISO STANDARDS) UNLESS OTHERWISE SPECIFIED DIMENSIONS ARE IN INCHES. METRIC DIMENSIONS ARE IN BRACKETS. DECIMALS .XXX ± [mm] .XX ± [mm] .X ± [mm] ANGLES .X ± []	DRAWN E. GOLDY	DATE 05-06-93	 TE Connectivity		
	CHECKED	DATE		TITLE TINEL-LOCK™ ADAPTER	
	APPROVED W. C. GAY	DATE 06-30-93			
	APPROVED	DATE			
CAD NAME txr21_1_g_cd_g		SIZE A	CODE IDENT. NO. 06090	DWG. NO. TXR21	REV G
THIRD ANGLE PROJECTION 		DO NOT SCALE THIS DWG		SHEET 1 OF 3	



If this document is printed it becomes uncontrolled. Check for the latest revision

Raychem Adapters
CUSTOMER DRAWING

SIZE	CODE IDENT. NO.	DWG. NO.	REV
A	06090	TXR21	G
DO NOT SCALE THIS DWG	CAD NAME	txr21_2_g_cd_G	SHEET 2 OF 3

ORDER NO.	SHELL SIZE 6	MAX ENTRY SIZE 5 TYPE I	A UNIFIED THD CLASS 2B	B DIA MAX	C MAX	D MAX	E MAX	W MAX
08	8	04	.438-28 UNEF	.72 [18,3]	.85 [21,6]	.91 [23,1]	1.14 [29,0]	1.00 [25,4]
10	10	06	.562-24 UNEF	.85 [21,6]	.88 [22,4]	.94 [23,9]	1.20 [30,5]	1.07 [27,2]
12	12	08	.688-24 UNEF	.98 [24,9]	.91 [23,1]	.97 [24,6]	1.27 [32,3]	1.19 [30,2]
14	14	10	.812-20 UNEF	1.11 [28,2]	.92 [23,4]	.98 [24,9]	1.32 [33,5]	1.32 [33,5]
16	16	12	.938-20 UNEF	1.23 [31,2]	.95 [24,1]	1.01 [25,7]	1.37 [34,8]	1.44 [36,6]
18	18	12	1.062-18 UNEF	1.36 [34,5]	.96 [24,4]	1.02 [25,9]	1.43 [36,3]	1.57 [39,9]
20	20	14	1.188-18 UNEF	1.48 [37,6]	.99 [25,1]	1.05 [26,7]	1.50 [38,1]	1.69 [42,9]
22	22	16	1.312-18 UNEF	1.60 [40,6]	1.01 [25,7]	1.08 [27,4]	1.56 [39,6]	1.82 [46,2]
24	24	18	1.438-18 UNEF	1.70 [43,2]	1.03 [26,2]	1.09 [27,7]	1.61 [40,9]	1.94 [49,3]

ENTRY SIZE	Z +.010 -.020	S DIA	Y ±.015 [±0.38]	F MAX	G MAX	H MAX	J MAX	K MAX
04	.250 [6.35]	.376 .370 [9.56 9.39]	.550 [13.97]	N/A	N/A	N/A	N/A	N/A
05	.312 [7.92]	.438 .432 [11.13 10.97]	.612 [15.54]	.77 [19.6]	.93 [23.6]	1.19 [30.2]	1.16 [29.5]	.80 [20.3]
06	.375 [9.52]	.501 .495 [12.73 12.57]	.675 [17.14]	.77 [19.6]	.93 [23.6]	1.19 [30.2]	1.16 [29.5]	.80 [20.3]
07	.437 [11.09]	.563 .556 [14.31 14.12]	.737 [18.71]	.80 [20.3]	.95 [24.1]	1.38 [35.1]	1.22 [31.0]	.92 [23.4]
08	.500 [12.70]	.626 .619 [15.91 15.72]	.800 [20.32]	.80 [20.3]	.95 [24.1]	1.38 [35.1]	1.22 [31.0]	.92 [23.4]
10	.625 [15.87]	.752 .742 [19.11 18.84]	.925 [23.49]	.84 [21.3]	1.00 [25.4]	1.51 [38.4]	1.35 [34.3]	1.18 [30.0]
12	.750 [19.05]	.877 .867 [22.28 22.02]	1.050 [26.67]	.88 [22.4]	1.01 [25.7]	1.63 [41.4]	1.40 [35.6]	1.35 [34.3]
14	.875 [22.23]	1.002 .991 [25.46 25.17]	1.175 [29.84]	.88 [22.4]	1.04 [26.4]	1.78 [45.2]	1.46 [37.1]	1.41 [35.8]
16	1.000 [25.40]	1.127 1.116 [28.63 28.34]	1.300 [33.02]	.93 [23.6]	1.06 [26.9]	1.88 [47.8]	1.53 [38.9]	1.60 [40.6]
18	1.125 [28.57]	1.252 1.241 [31.81 31.52]	1.425 [36.19]	.93 [23.6]	1.09 [27.7]	2.01 [51.1]	1.59 [40.4]	1.66 [42.2]
20	1.250 [31.75]	1.377 1.366 [34.98 34.69]	1.550 [39.37]	.98 [24.9]	1.13 [28.7]	2.13 [54.1]	1.78 [45.2]	2.04 [51.8]
22	1.375 [34.93]	1.502 1.488 [38.15 37.79]	1.675 [42.55]	1.03 [26.2]	1.38 [35.1]	2.29 [58.2]	1.85 [47.0]	2.23 [56.6]
24	1.500 [38.10]	1.627 1.613 [41.33 40.97]	1.800 [45.72]	1.08 [27.4]	1.44 [36.6]	2.42 [61.5]	1.92 [48.8]	2.23 [56.6]

Raychem Adapters
CUSTOMER DRAWING

If this document is printed it becomes uncontrolled. Check for the latest revision

SIZE	CODE IDENT. NO.	DWG. NO.	REV
A	06090	TXR21	G
DO NOT SCALE THIS DWG		CAD NAME txr21_3_g_cd_G	SHEET 3 OF 3



Компания «ЭлектроПласт» предлагает заключение долгосрочных отношений при поставках импортных электронных компонентов на взаимовыгодных условиях!

Наши преимущества:

- Оперативные поставки широкого спектра электронных компонентов отечественного и импортного производства напрямую от производителей и с крупнейших мировых складов;
- Поставка более 17-ти миллионов наименований электронных компонентов;
- Поставка сложных, дефицитных, либо снятых с производства позиций;
- Оперативные сроки поставки под заказ (от 5 рабочих дней);
- Экспресс доставка в любую точку России;
- Техническая поддержка проекта, помощь в подборе аналогов, поставка прототипов;
- Система менеджмента качества сертифицирована по Международному стандарту ISO 9001;
- Лицензия ФСБ на осуществление работ с использованием сведений, составляющих государственную тайну;
- Поставка специализированных компонентов (Xilinx, Altera, Analog Devices, Intersil, Interpoint, Microsemi, Aeroflex, Peregrine, Syfer, Eurofarad, Texas Instrument, Miteq, Cobham, E2V, MA-COM, Hittite, Mini-Circuits, General Dynamics и др.);

Помимо этого, одним из направлений компании «ЭлектроПласт» является направление «Источники питания». Мы предлагаем Вам помощь Конструкторского отдела:

- Подбор оптимального решения, техническое обоснование при выборе компонента;
- Подбор аналогов;
- Консультации по применению компонента;
- Поставка образцов и прототипов;
- Техническая поддержка проекта;
- Защита от снятия компонента с производства.



Как с нами связаться

Телефон: 8 (812) 309 58 32 (многоканальный)

Факс: 8 (812) 320-02-42

Электронная почта: org@eplast1.ru

Адрес: 198099, г. Санкт-Петербург, ул. Калинина, дом 2, корпус 4, литера А.