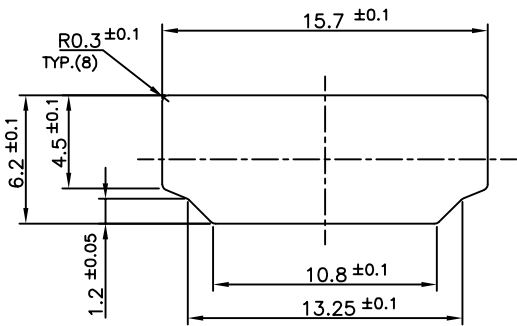
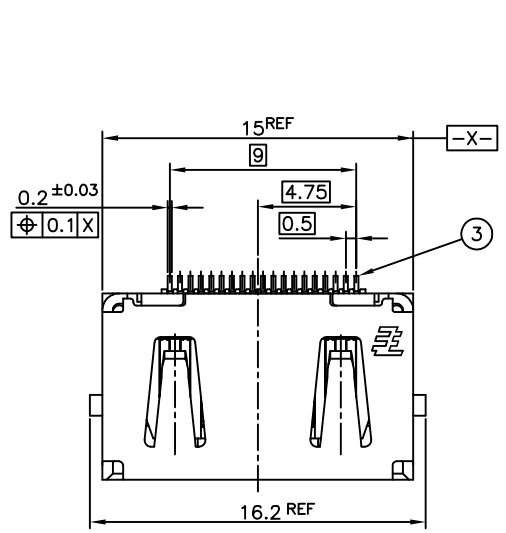
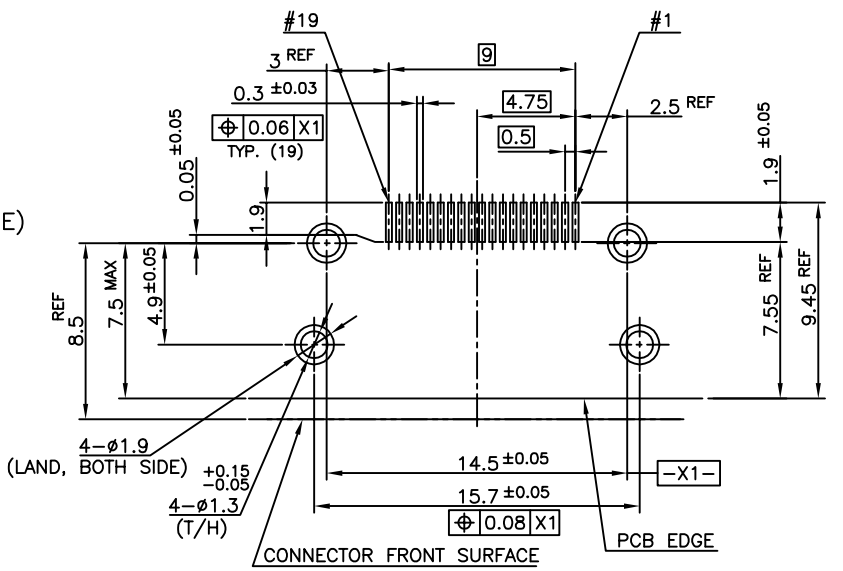


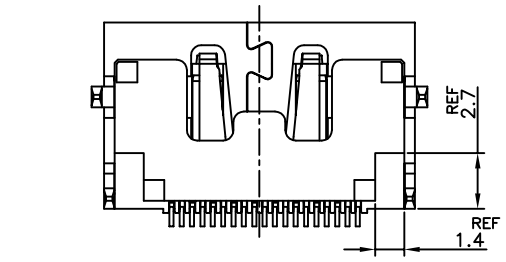
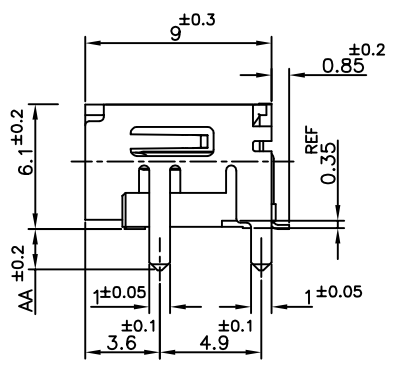
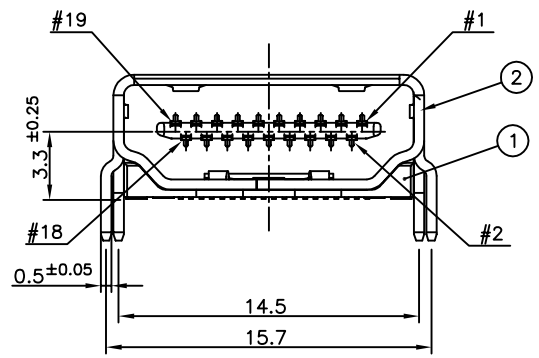
LOC	DIST	REVISIONS				
		P	LTR	DATE	DWN	APVD
		SEE SHEET 1				



PANEL CUT OUT DIMENSION (REFERENCE)



P.C.B LAYOUT (REFERENCE)
SHOWN AS CONNECTOR MOUNTING SIDE
TOLERANCE: NON-CUMULATIVE

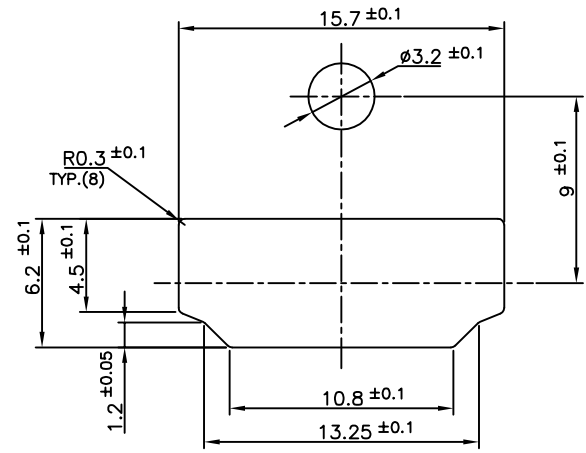
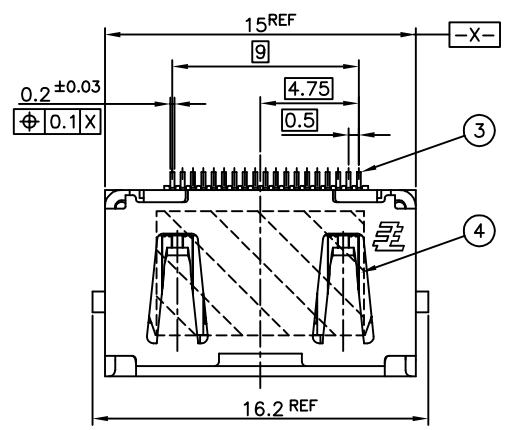


CONNECTOR: WITHOUT FLANGE THROUGH HOLE TYPE

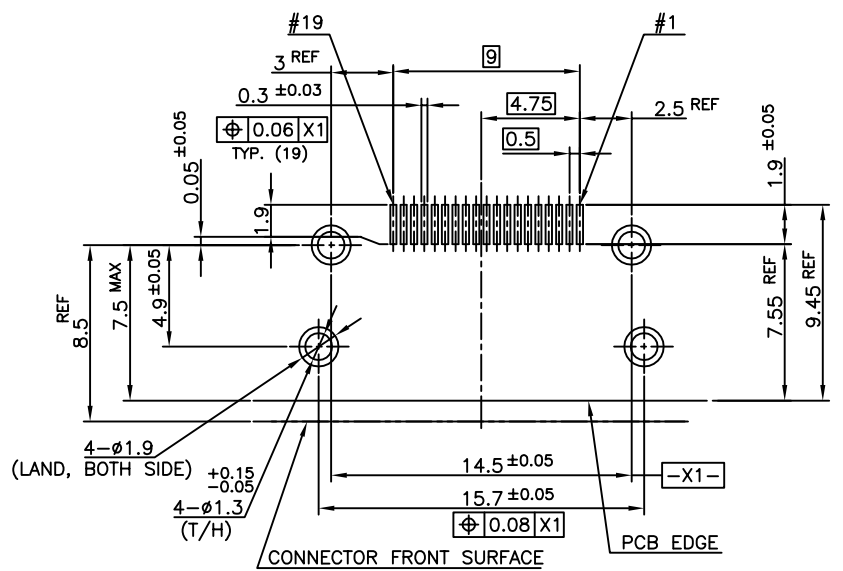
BRASS	CONTACT	(3)
PHOSPHOR BRONZE	SHELL	(2)
GLASS FILLED LCP UL94V-0, BLACK COLOR	HOUSING	(1)
MATERIAL	DESCRIPTION	ITEM

THIS DRAWING IS A CONTROLLED DOCUMENT.		DWN		TE Connectivity	
DIMENSIONS: 單位: 毫米 mm		CHK			
TOLERANCES UNLESS OTHERWISE SPECIFIED: 一般公差		APVD		NAME 名稱	
0 PLC ± 1 PLC ± 2 PLC ± 3 PLC ± 4 PLC ± ANGLES ±		PRODUCT SPEC 製品規格		HDMI 19 POS RECEPTACLE ASSY SMT SHORT TYPE	
MATERIAL 材料		FINISH 仕上		APPLICATION SPEC 取付適用規格	
		WEIGHT		SIZE A3	
		CUSTOMER DRAWING		CAGE CODE 00779	
				DRAWING NO. C=1903015	
				RESTRICTED TO	
				SCALE 尺度 4:1	
				SHEET 2 OF 12	
				REV R	

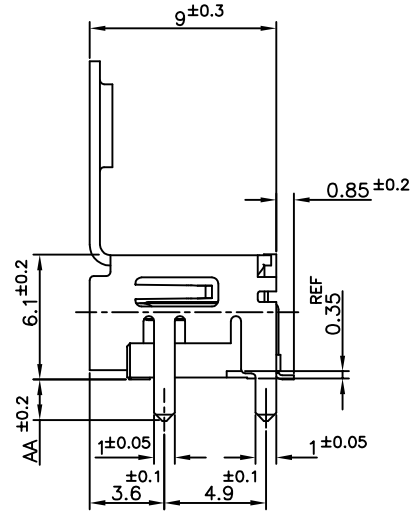
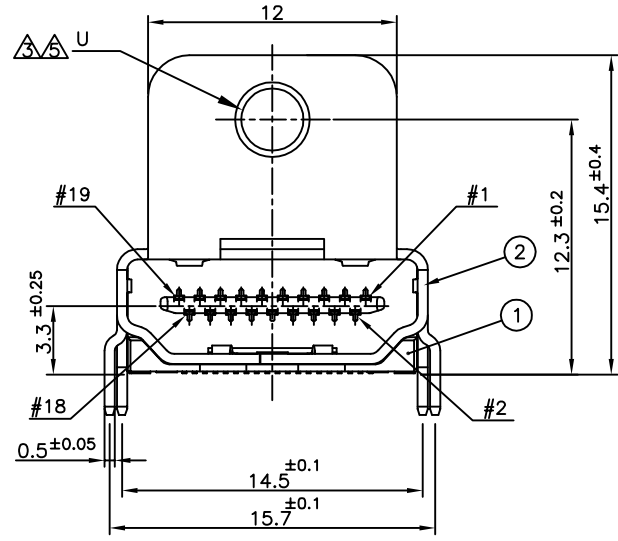
LOC	DIST	REVISIONS				
		P	LTR	DATE	DWN	APVD
		SEE SHEET 1				



PANEL CUT OUT DIMENSION (REFERENCE)

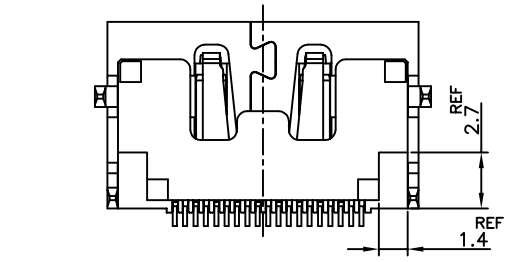


P.C.B LAYOUT (REFERENCE)
SHOWN AS CONNECTOR MOUNTING SIDE
TOLERANCE: NON-CUMULATIVE



CONNECTOR: WITH FLANGE THROUGH HOLE TYPE

MATERIAL	DESCRIPTION	ITEM
POLYIMIDE	TAPE	④
BRASS	CONTACT	③
PHOSPHOR BRONZE	SHELL	②
GLASS FILLED LCP UL94V-0, BLACK COLOR	HOUSING	①

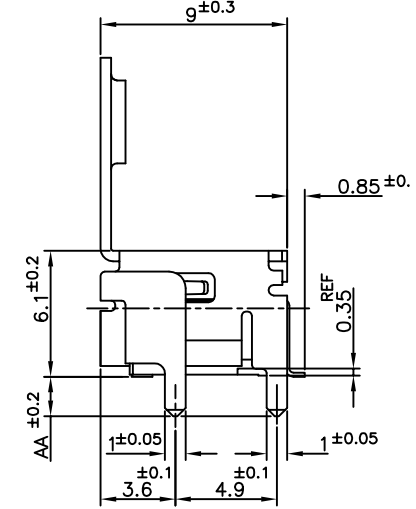
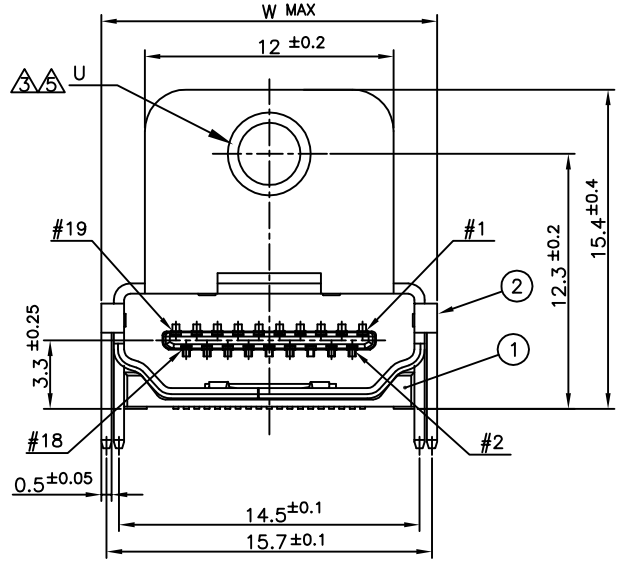
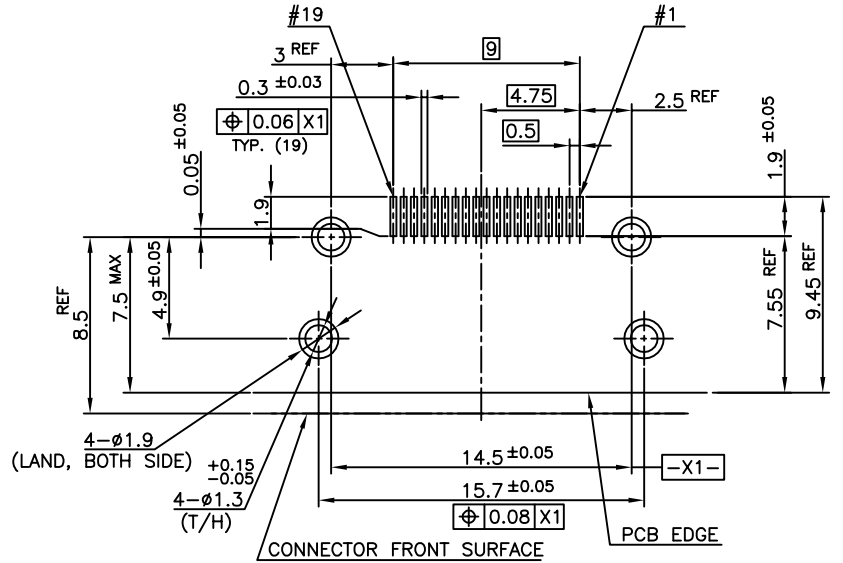
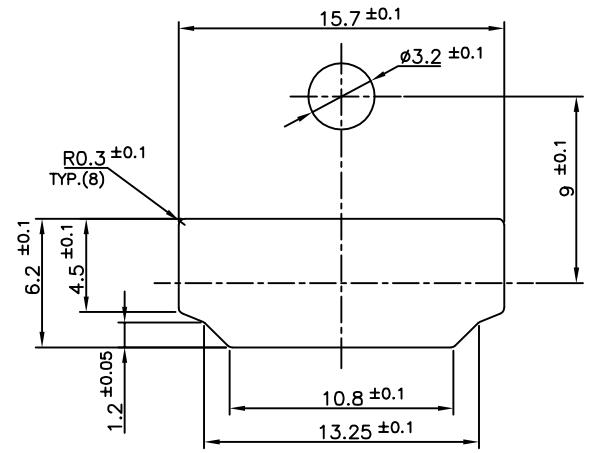
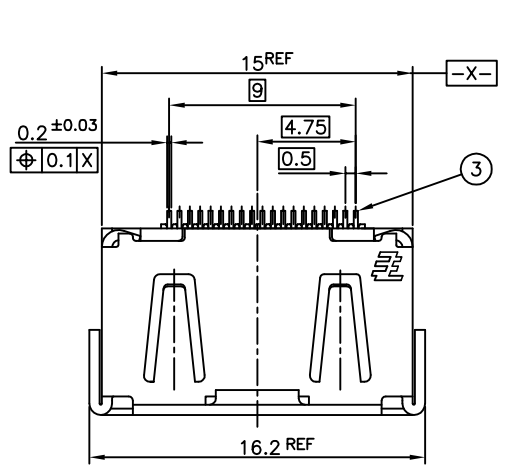


THIS DRAWING IS A CONTROLLED DOCUMENT.

DIMENSIONS: 單位: 毫米 mm	TOLERANCES UNLESS OTHERWISE SPECIFIED: 一般公差	DWN	TE Connectivity			
	0 PLC ±	CHK	NAME 名稱			
	1 PLC ±	APVD	HDMI 19 POS RECEPTACLE ASSY			
	2 PLC ±	PRODUCT SPEC 製品規格	SMT SHORT TYPE			
	3 PLC ±	APPLICATION SPEC 取付適用規格	SIZE	CAGE CODE	DRAWING NO	
4 PLC ±	FINISH 仕上	WEIGHT	A3	00779	G=1903015	RESTRICTED TO
MATERIAL 材料		CUSTOMER DRAWING	SCALE 尺度	4:1	SHEET 3 OF 12	REV R

THIS DRAWING IS UNPUBLISHED. RELEASED FOR PUBLICATION SEP ,2005. ALL RIGHTS RESERVED.

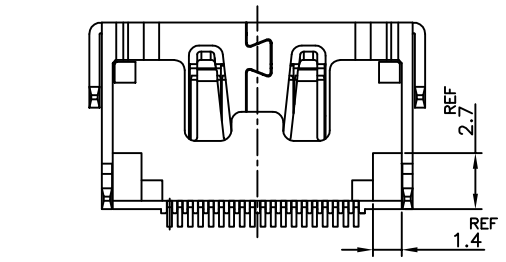
LOC		DIST		REVISIONS			DATE	DWN	APVD
				變更					
P	LTR	DESCRIPTION							
-	-	SEE SHEET 1			-	-	-	-	-



P.C.B LAYOUT (REFERENCE)
SHOWN AS CONNECTOR MOUNTING SIDE
TOLERANCE: NON-CUMULATIVE

POLYIMIDE	TAPE	(4)
BRASS	CONTACT	(3)
PHOSPHOR BRONZE	SHELL	(2)
GLASS FILLED LCP UL94V-0, BLACK COLOR	HOUSING	(1)
MATERIAL	DESCRIPTION	ITEM

CONNECTOR: WITH FLANGE THROUGH HOLE TYPE



THIS DRAWING IS A CONTROLLED DOCUMENT.

DIMENSIONS: 單位: 毫米 mm	TOLERANCES UNLESS OTHERWISE SPECIFIED: 一般公差	DWN	TE Connectivity				
	0 PLC ±	CHK	NAME 名稱				
	1 PLC ±	APVD	HDMI 19 POS RECEPTACLE ASSY				
	2 PLC ±	PRODUCT SPEC 製品規格	SMT SHORT TYPE				
	3 PLC ±	APPLICATION SPEC 取付適用規格	SIZE	CAGE CODE	DRAWING NO		
4 PLC ±	ANGLES ±	WEIGHT	A3	00779	G=1903015	RESTRICTED TO	
MATERIAL 材料	FINISH 仕上	CUSTOMER DRAWING	SCALE 尺度	4:1	SHEET 張	4 OF 12	REV R

THIS DRAWING IS UNPUBLISHED.

RELEASED FOR PUBLICATION

SEP ,2005.

© COPYRIGHT 2005 By -

ALL RIGHTS RESERVED.

LOC DIST

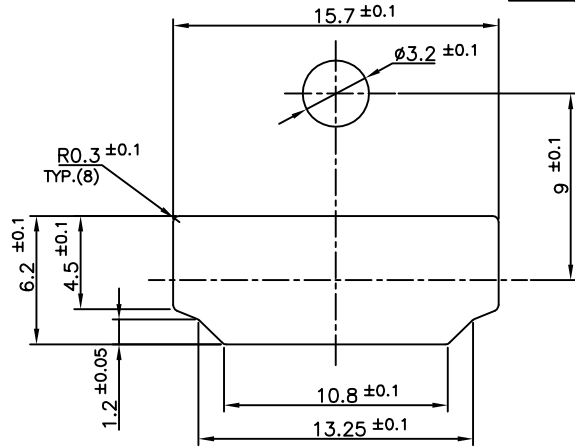
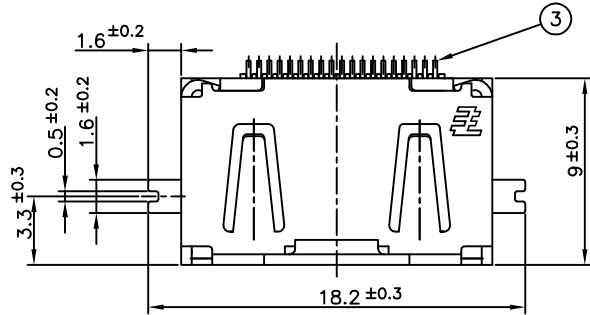
REVISIONS

変更

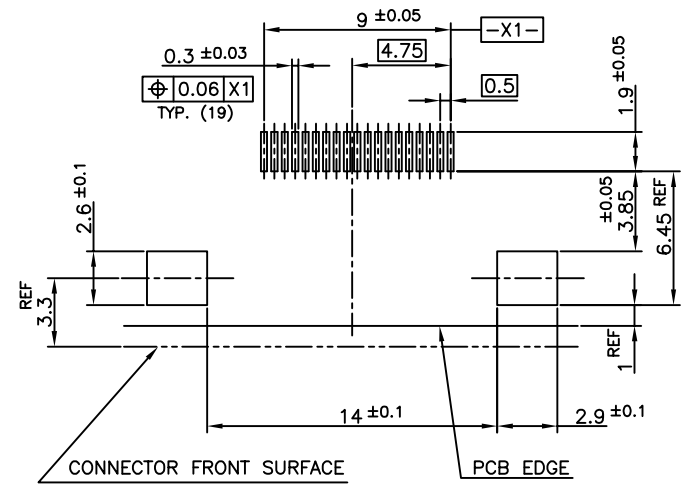
DESCRIPTION

DATE DWN APVD

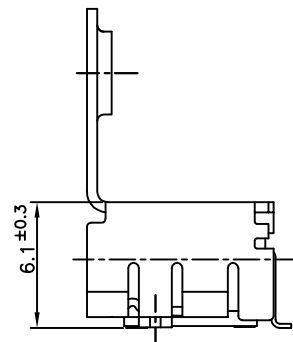
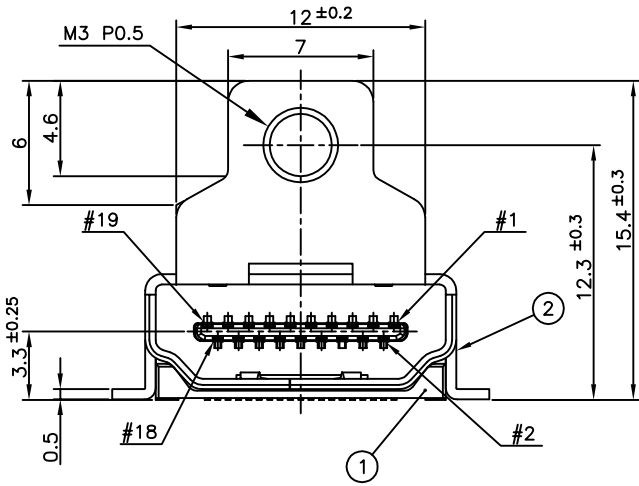
P	LTR	DESCRIPTION	DATE	DWN	APVD
-	-	SEE SHEET 1	-	-	-



PANEL CUT OUT DIMENSION (REFERENCE)

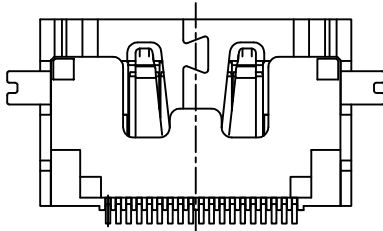


P.C.B LAYOUT (REFERENCE)
SHOWN AS CONNECTOR MOUNTING SIDE
TOLERANCE: NON-CUMULATIVE



CONNECTOR: WITH FLANGE FULL SMT TYPE

BRASS	CONTACT	③
PHOSPHOR BRONZE	SHELL	②
GLASS FILLED LCP UL94V-0, BLACK COLOR	HOUSING	①
MATERIAL	DESCRIPTION	ITEM



THIS DRAWING IS A CONTROLLED DOCUMENT.

DIMENSIONS: 單位: 毫米 mm	TOLERANCES UNLESS OTHERWISE SPECIFIED: 一般公差	DWN	CHK	APVD	NAME 名稱
	0 PLC ±	PRODUCT SPEC 製品規格	TE Connectivity HDMI 19 POS RECEPTACLE ASSY SMT SHORT TYPE		
	1 PLC ±	APPLICATION SPEC 取付適用規格			
	2 PLC ±	WEIGHT			
	3 PLC ±	CUSTOMER DRAWING			
4 PLC ±	FINISH 仕上	SIZE	CAGE CODE	DRAWING NO 番号	RESTRICTED TO
ANGLES ±		A3	00779	C=1903015	
MATERIAL 材料		SCALE 尺度	SHEET	REV	
		4:1	5 of 12	R	

4

3

2

1

THIS DRAWING IS UNPUBLISHED.

RELEASED FOR PUBLICATION

SEP, 2005.

© COPYRIGHT 2005 By -

ALL RIGHTS RESERVED.

1903015-1, 2-1903015-2, 5-1903015-1
5-1903015-5, 7-1903015-1; AS SHOWN

LOC	DIST
-	-

REVISIONS

変更

DESCRIPTION

DATE

DWN

APVD

P

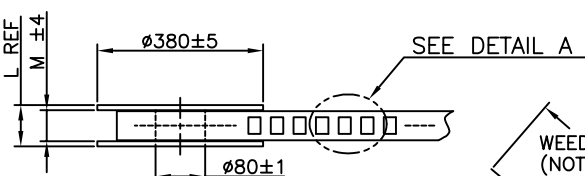
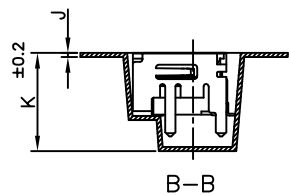
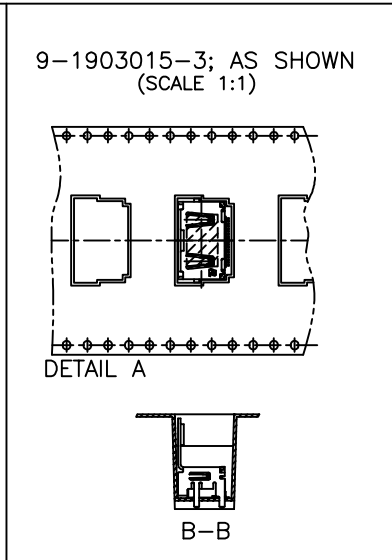
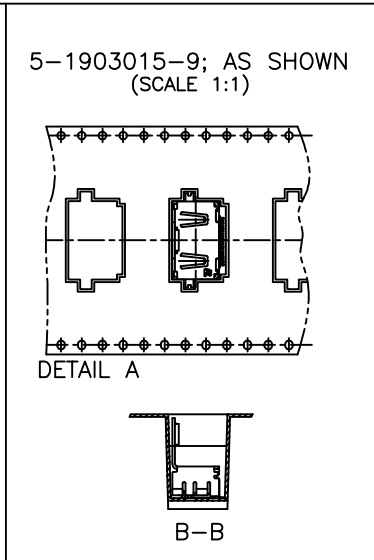
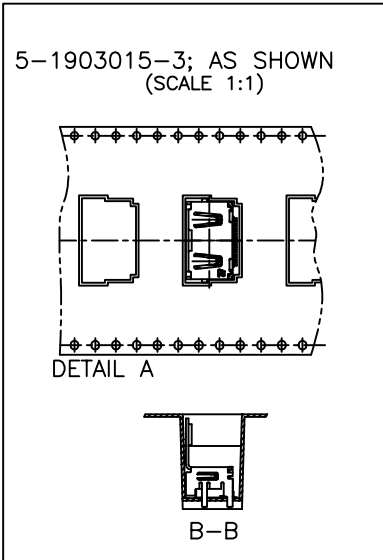
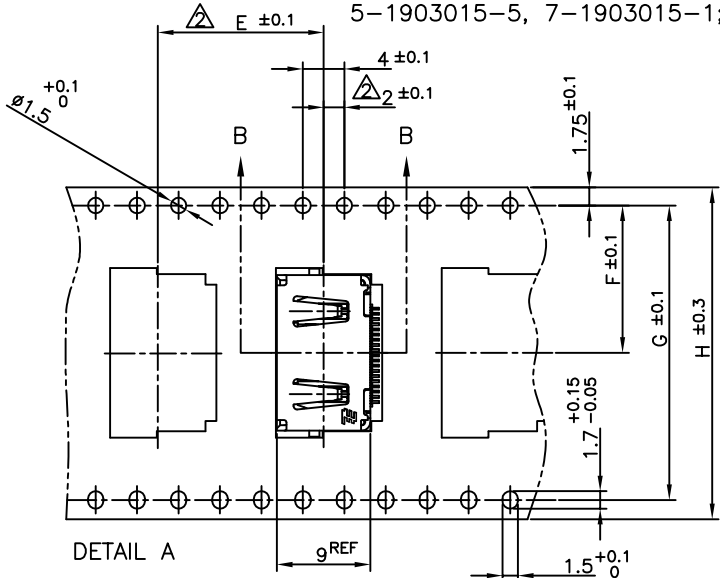
LTR

SEE SHEET 1

-

-

-

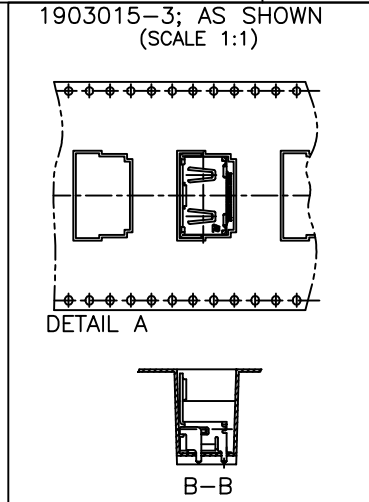


△ LABEL DESCRIPTION

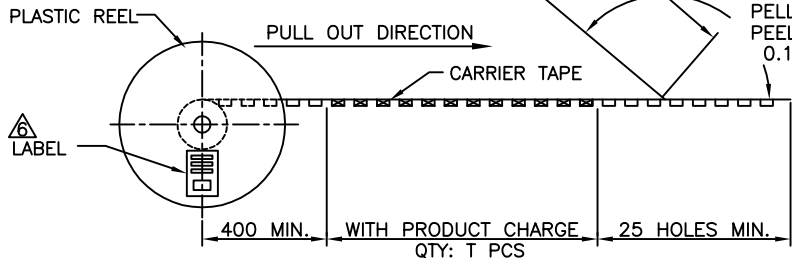
TYCO P/N: *-1903015-*
QTY: * pcs
D/C:
MADE IN CHINA

WEEDING THE COVER TAPE: 300 MIN
(NOT INCLUDE EMPTINESS POCKET)

PELLING ANGLE: 165°~180°
PEELING STRENGTH:
0.1~0.7N (300mm/min.)



PET	COVER TAPE
PS	CARRIER TAPE
PLASTIC	REEL
MATERIAL	DESCRIPTION



THIS DRAWING IS A CONTROLLED DOCUMENT.

DIMENSIONS:
單位: 毫米
mm

TOLERANCES UNLESS
OTHERWISE SPECIFIED:
一般公差



0 PLC	±
1 PLC	±
2 PLC	±
3 PLC	±
4 PLC	±
ANGLES	±
FINISH 仕上	

MATERIAL
材料

FINISH
仕上

DWN	CHK	APVD	PRODUCT SPEC 製品規格	APPLICATION SPEC 取付適用規格	WEIGHT	CUSTOMER DRAWING
-----	-----	------	----------------------	----------------------------	--------	------------------

TE Connectivity

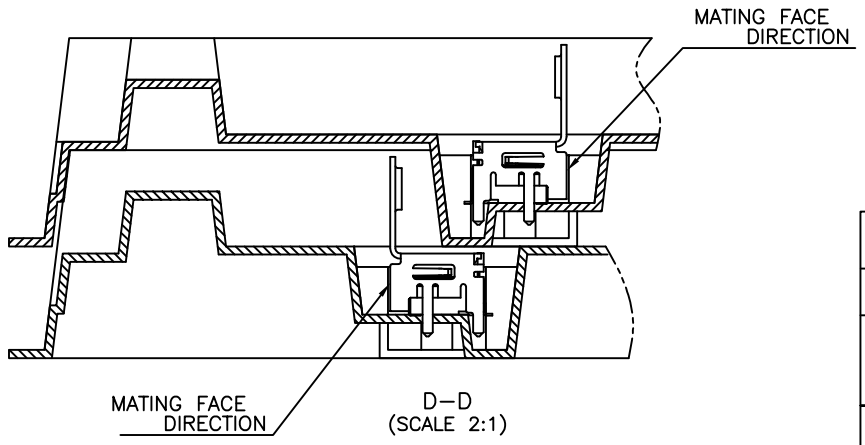
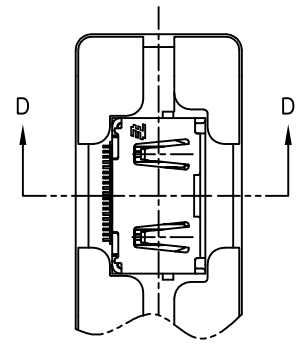
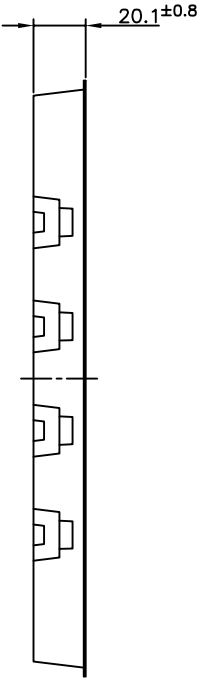
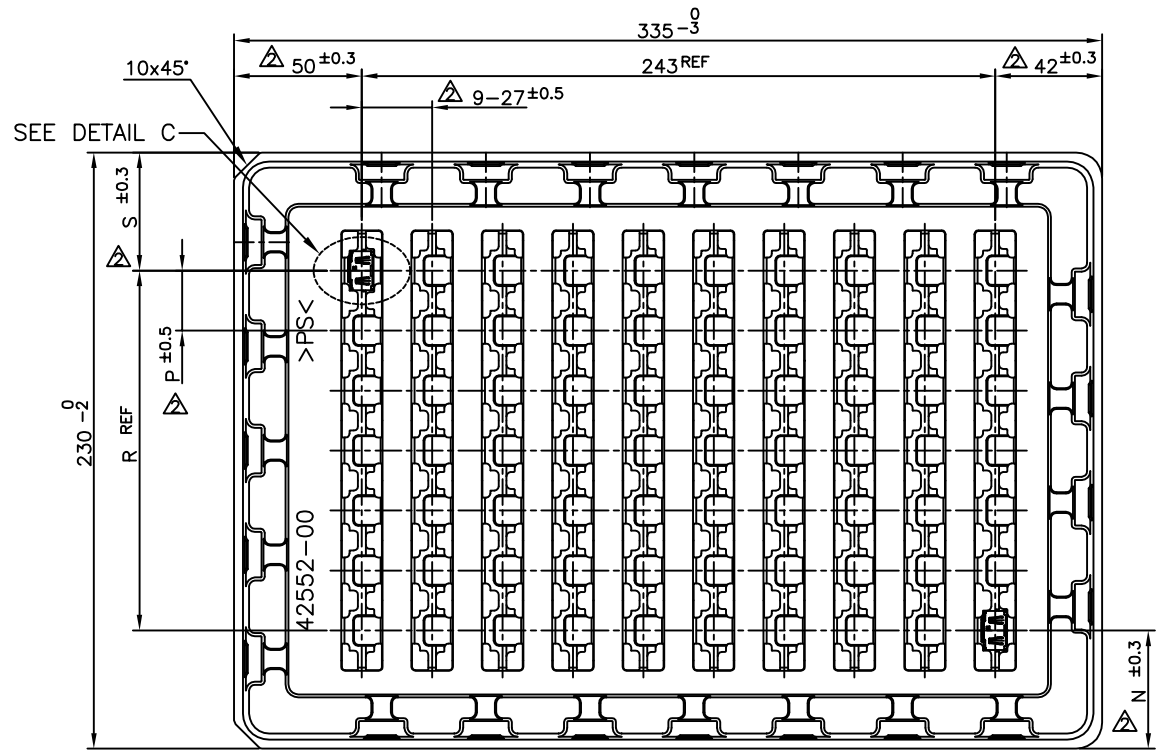
HDMI 19 POS RECEPTACLE ASSY
SMT SHORT TYPE

NAME 名称	SIZE	CAGE CODE	DRAWING NO 番号	RESTRICTED TO
	A3	00779	G=1903015	
SCALE 尺度	SHEET	REV		
4:1	6 OF 12	R		

THIS DRAWING IS UNPUBLISHED. RELEASED FOR PUBLICATION SEP, 2005. ALL RIGHTS RESERVED.

© COPYRIGHT 2005 By -
 1903015-2, 1903015-5, 4-1903015-1, 5-1903015-2, 5-1903015-4
 8-1903015-4, 9-1903015-4; AS SHOWN

LOC	DIST	REVISIONS				
		REV	DATE	DWN	APVD	
		1				
		DESCRIPTION				
		P	LTR			
		-	-	SEE SHEET 1	-	



THIS DRAWING IS A CONTROLLED DOCUMENT.		DWN		TE Connectivity	
DIMENSIONS: 單位: 毫米 mm		CHK			
TOLERANCES UNLESS OTHERWISE SPECIFIED: 一般公差		APVD		NAME 名稱	
0 PLC ± 1 PLC ± 2 PLC ± 3 PLC ± 4 PLC ± ANGLES ±		PRODUCT SPEC 製品規格		HDMI 19 POS RECEPTACLE ASSY SMT SHORT TYPE	
MATERIAL 材料		FINISH 仕上		APPLICATION SPEC 取付適用規格	
		WEIGHT		SIZE CAGE CODE DRAWING NO 番号	
		CUSTOMER DRAWING		A3 00779 C=1903015	
		SCALE 尺度 4:1		RESTRICTED TO	
		SHEET 7 OF 12		REV R	

THIS DRAWING IS UNPUBLISHED.

RELEASED FOR PUBLICATION

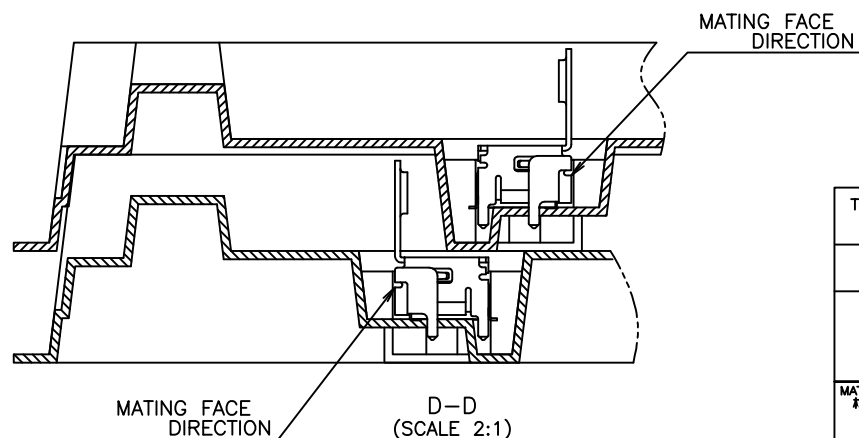
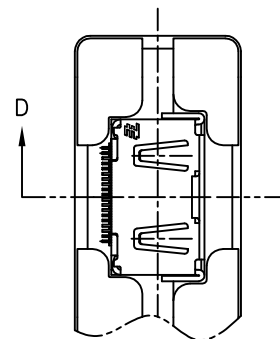
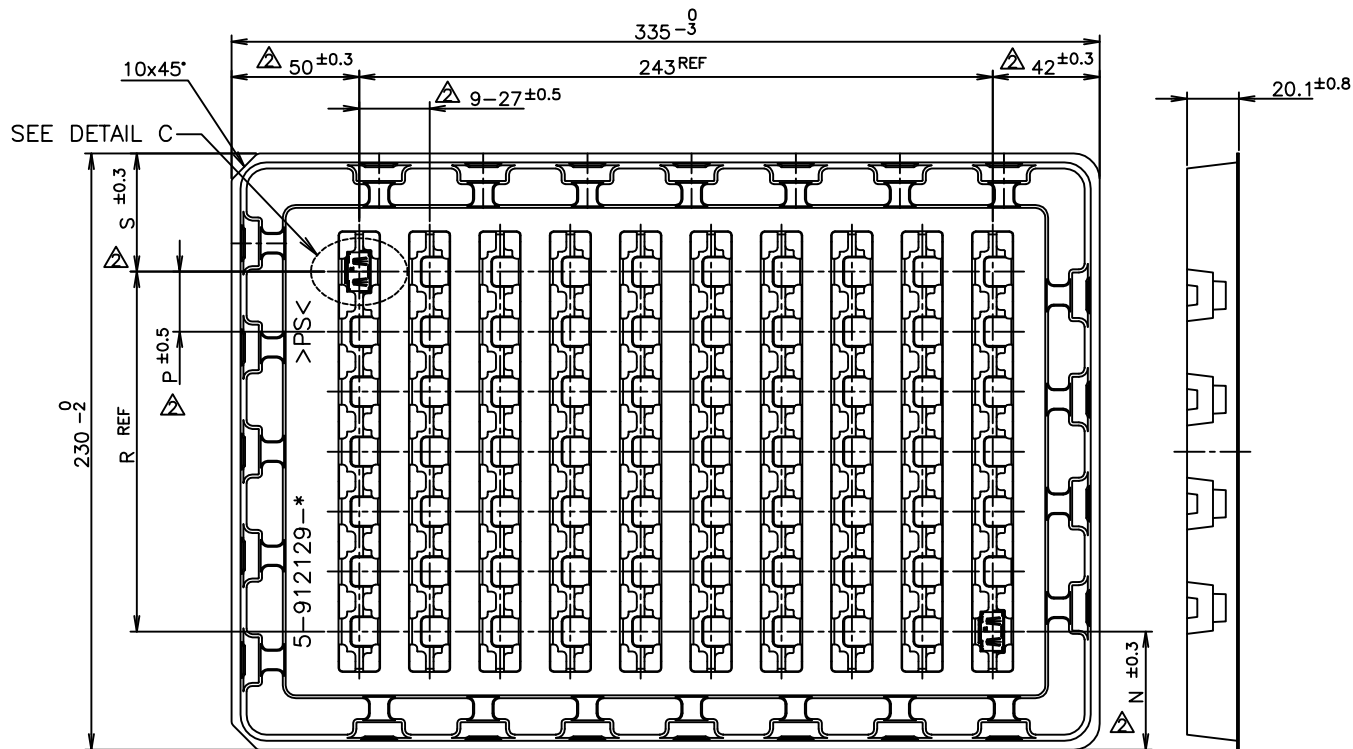
SEP, 2005.

© COPYRIGHT 2005 By -

ALL RIGHTS RESERVED.

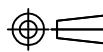
1903015-4; AS SHOWN

LOC	DIST	REVISIONS					
		P	LTR	DESCRIPTION	DATE	DWN	APVD
		-		SEE SHEET 1	-	-	-



THIS DRAWING IS A CONTROLLED DOCUMENT.

DIMENSIONS:
單位: 毫米
mm



MATERIAL
材料

TOLERANCES UNLESS
OTHERWISE SPECIFIED:
一般公差

- 0 PLC ±
- 1 PLC ±
- 2 PLC ±
- 3 PLC ±
- 4 PLC ±
- ANGLES ±
- FINISH 仕上

DWN

CHK

APVD

PRODUCT SPEC
製品規格

APPLICATION SPEC
取付適用規格

WEIGHT

CUSTOMER DRAWING



TE Connectivity

HDMI 19 POS RECEPTACLE ASSY
SMT SHORT TYPE

SIZE

A3

CAGE CODE

00779

DRAWING NO
番号

C=1903015

RESTRICTED TO

SCALE
尺度 4:1

SHEET

8 of 12

REV

R

THIS DRAWING IS UNPUBLISHED.

RELEASED FOR PUBLICATION

SEP, 2005.

© COPYRIGHT 2005 By -

ALL RIGHTS RESERVED.

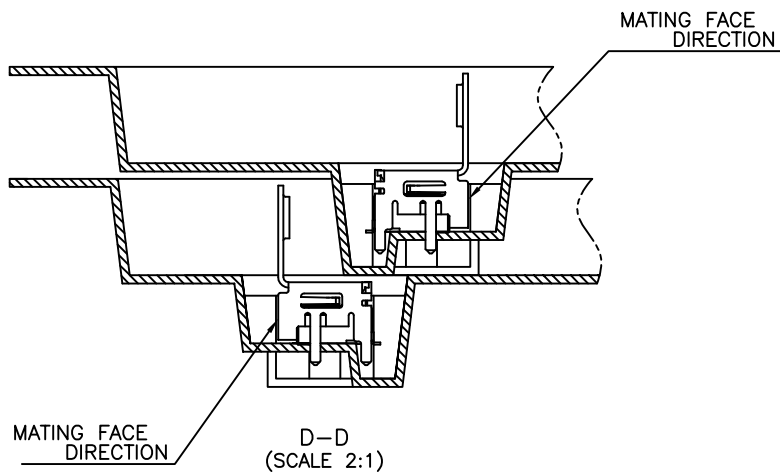
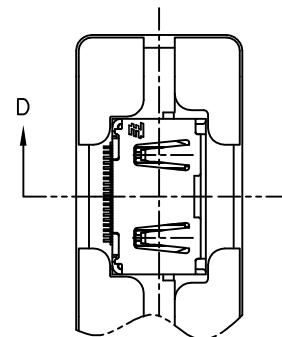
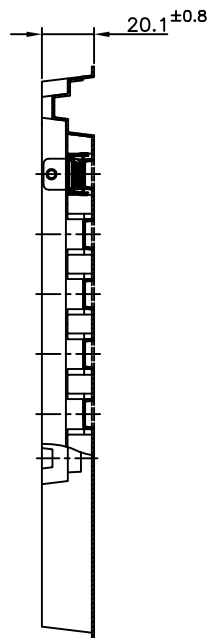
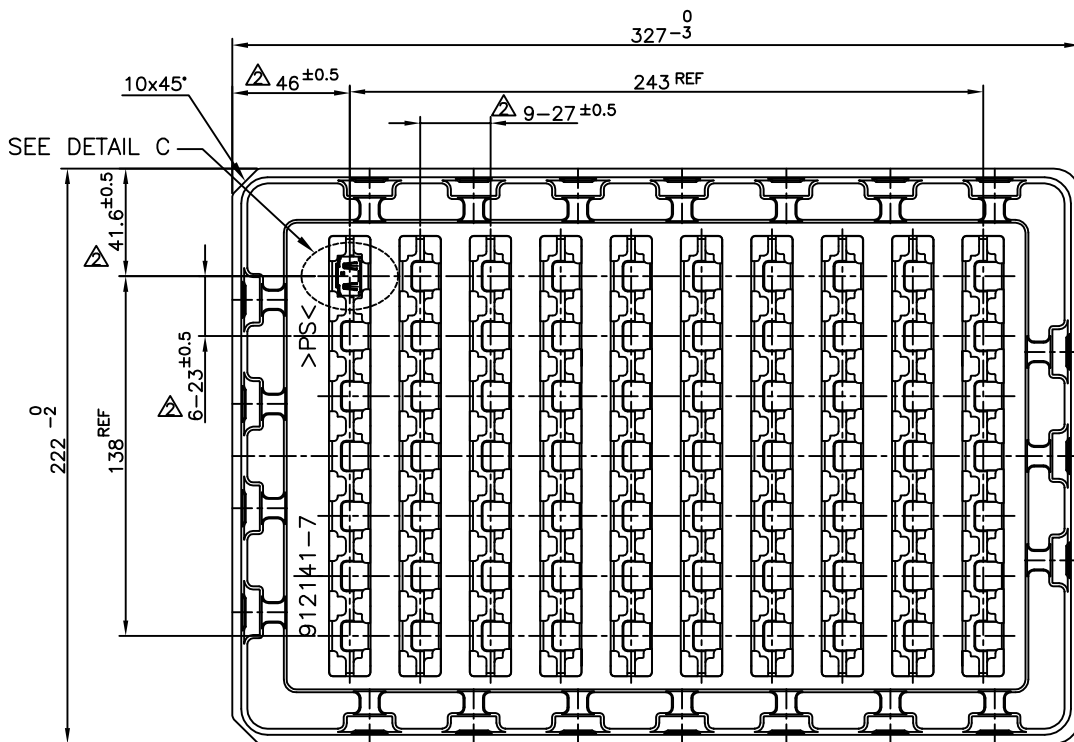
1903015-7, 1903015-8; AS SHOWN

LOC	DIST
-	-

REVISIONS

変更

P	LTR	DESCRIPTION	DATE	DWN	APVD
-	-	SEE SHEET 1	-	-	-



THIS DRAWING IS A CONTROLLED DOCUMENT.

DIMENSIONS: 單位: 毫米 mm	TOLERANCES UNLESS OTHERWISE SPECIFIED: 一般公差	0 PLC ±	1 PLC ±	2 PLC ±	3 PLC ±	4 PLC ±	ANGLES ±	FINISH 仕上	DWN	CHK	APVD	PRODUCT SPEC 製品規格	APPLICATION SPEC 取付適用規格	WEIGHT	CUSTOMER DRAWING
												TE Connectivity NAME 名称 HDMI 19 POS RECEPTACLE ASSY SMT SHORT TYPE			
MATERIAL 材料		SIZE A3		CAGE CODE 00779		DRAWING NO C=1903015		RESTRICTED TO 番号		SCALE 尺度 4:1		SHEET 9 of 12		REV R	

THIS DRAWING IS UNPUBLISHED.

RELEASED FOR PUBLICATION

SEP, 2005.

© COPYRIGHT 2005 By -

ALL RIGHTS RESERVED.

LOC	DIST
-	-

REVISIONS

変更

DESCRIPTION

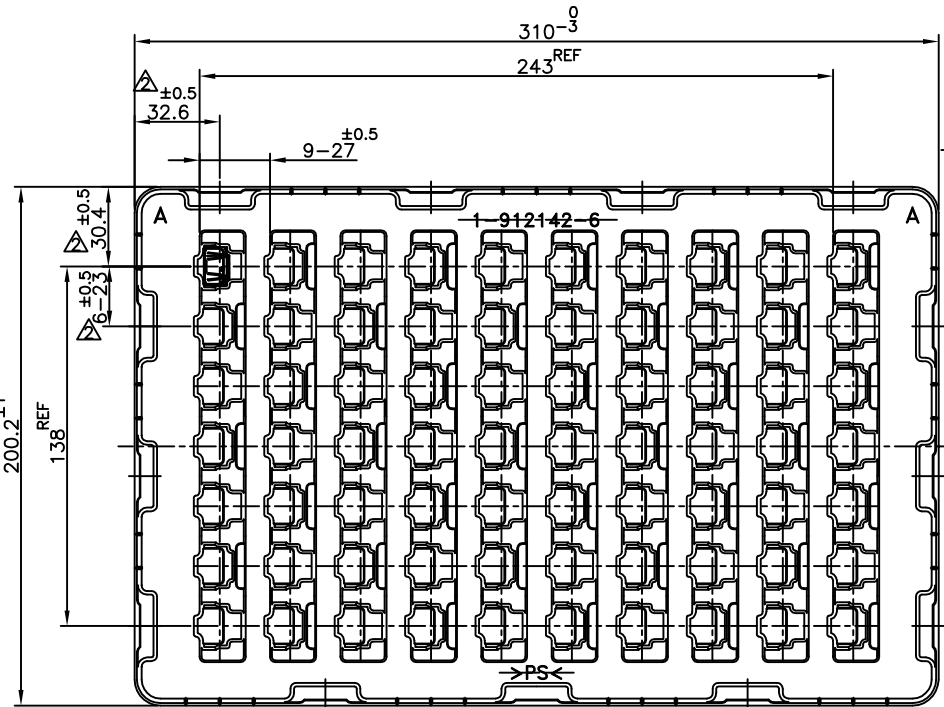
DATE

DWN

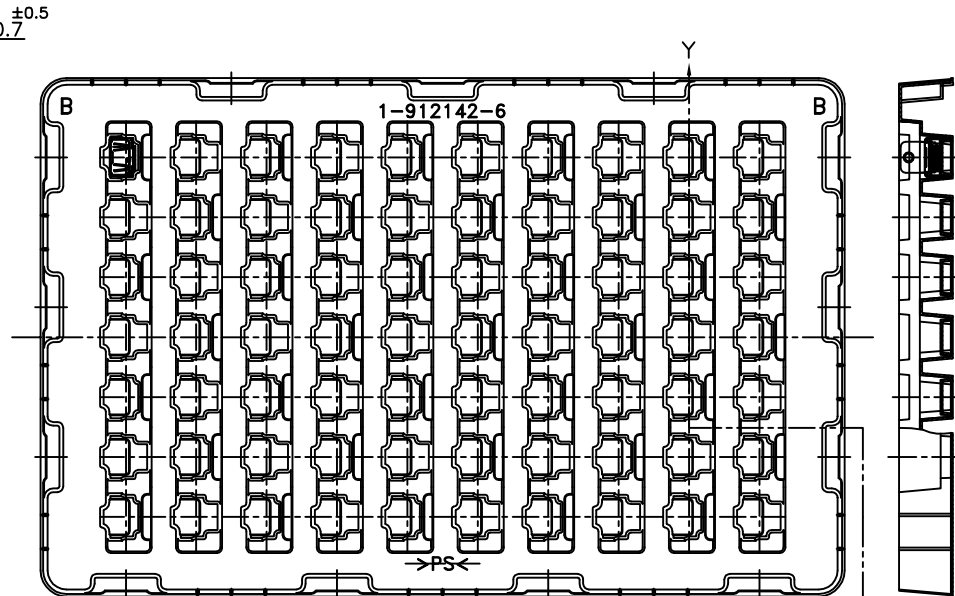
APVD

SEE SHEET 1

8-1903015-4; AS SHOWN

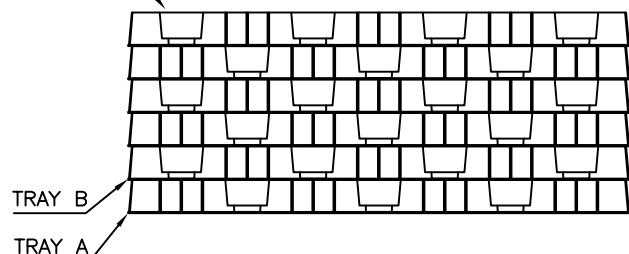


TRAY A

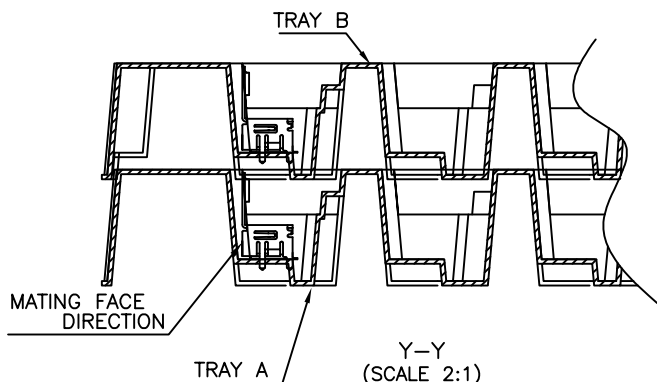


TRAY B

TRAY B (EMPTY)



TRAY B
TRAY A



MATING FACE DIRECTION

Y-Y (SCALE 2:1)

PS	TRAY
MATERIAL	DESCRIPTION

THIS DRAWING IS A CONTROLLED DOCUMENT.

DIMENSIONS: 單位: 話 mm	TOLERANCES UNLESS OTHERWISE SPECIFIED: 一般公差	DWN	TE Connectivity NAME 名稱 HDMI 19 POS RECEPTACLE ASSY SMT SHORT TYPE												
<table border="1"> <tr><td>0 PLC</td><td>±</td></tr> <tr><td>1 PLC</td><td>±</td></tr> <tr><td>2 PLC</td><td>±</td></tr> <tr><td>3 PLC</td><td>±</td></tr> <tr><td>4 PLC</td><td>±</td></tr> <tr><td>4 PLC ANGLES</td><td>±</td></tr> </table>	0 PLC	±		1 PLC	±	2 PLC	±	3 PLC	±	4 PLC	±	4 PLC ANGLES	±	FINISH 仕上	CHK APVD PRODUCT SPEC 製品規格 APPLICATION SPEC 取付適用規格 WEIGHT CUSTOMER DRAWING
0 PLC	±														
1 PLC	±														
2 PLC	±														
3 PLC	±														
4 PLC	±														
4 PLC ANGLES	±														
MATERIAL 材料		SCALE 尺度 4:1	SHEET 10 OF 12												

4

3

2

1

THIS DRAWING IS UNPUBLISHED.

RELEASED FOR PUBLICATION

SEP ,2005.

© COPYRIGHT 2005 By -

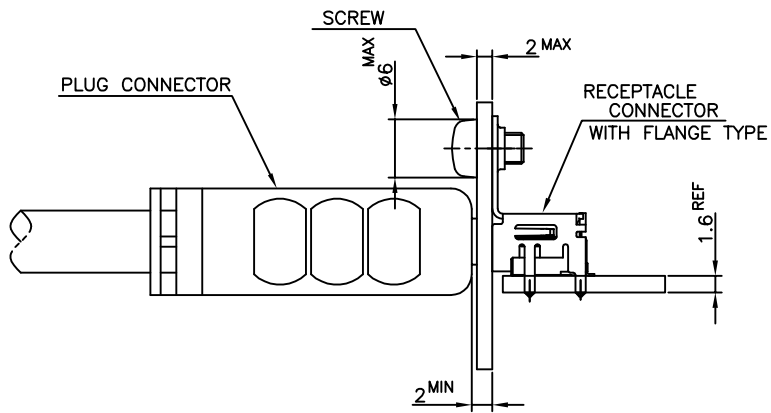
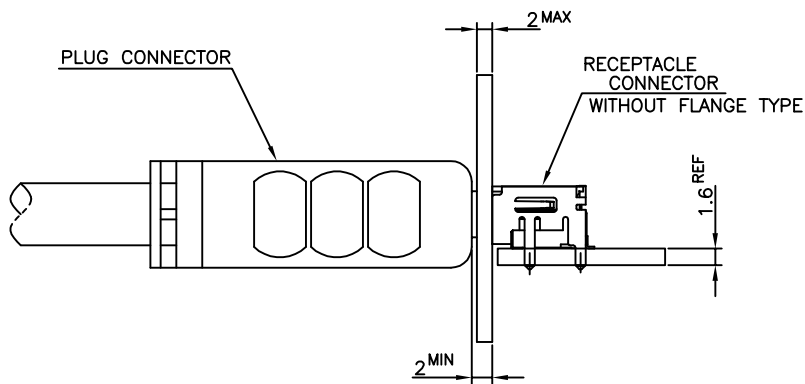
ALL RIGHTS RESERVED.

LOC	DIST
-	-

REVISIONS

変更

P	LTR	DESCRIPTION	DATE	DWN	APVD
-	-	SEE SHEET 1	-	-	-



MATING CONDITION (REFERENCE)
(SCALE 2:1)

THIS DRAWING IS A CONTROLLED DOCUMENT.		DWN		TE TE Connectivity	
DIMENSIONS: 單位: 話 mm		CHK			
TOLERANCES UNLESS OTHERWISE SPECIFIED: 一般公差		APVD		NAME 名稱	
0 PLC ±		PRODUCT SPEC 製品規格		HDMI 19 POS RECEPTACLE ASSY SMT SHORT TYPE	
1 PLC ±		APPLICATION SPEC 取付適用規格		SIZE CAGE CODE DRAWING NO 番号	
2 PLC ±		WEIGHT		A3 00779 C=1903015	
3 PLC ±		CUSTOMER DRAWING		RESTRICTED TO	
4 PLC ±		SCALE 尺度 4:1		SHEET 11 OF 12	
ANGLES ±		REV		R	
FINISH 仕上					
MATERIAL 材料					

THIS DRAWING IS PUBLISHED.

NOT BASED FOR PUBLICATION

SEP., 2005.

© COPYRIGHT 2005. By -

ALL RIGHTS RESERVED.

LOC

DIST

REV

DATE

DWN

APVD

P

LTR

DESCRIPTION

DATE

DWN

APVD

SEE SHEET 1

P/N:6-1903015-3

D

D

C

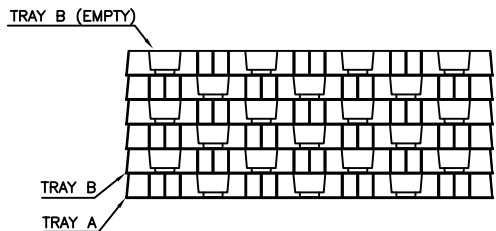
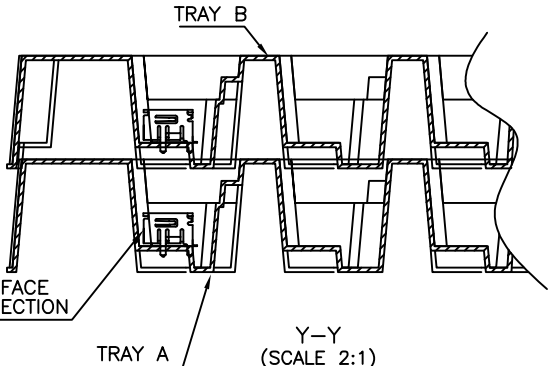
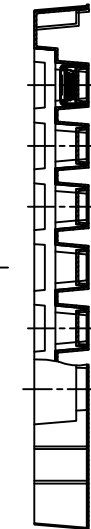
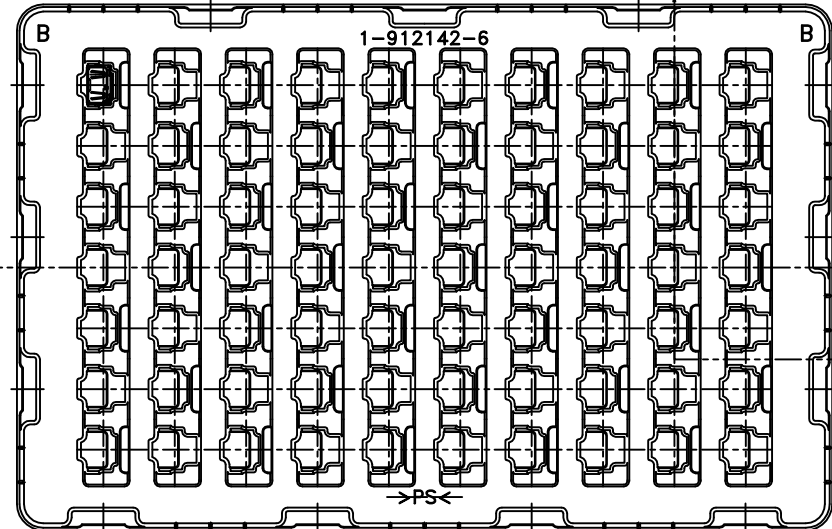
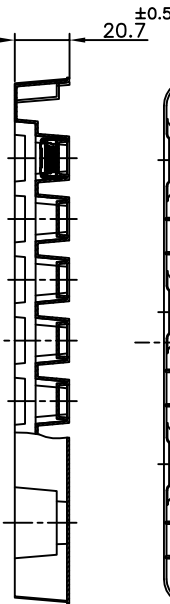
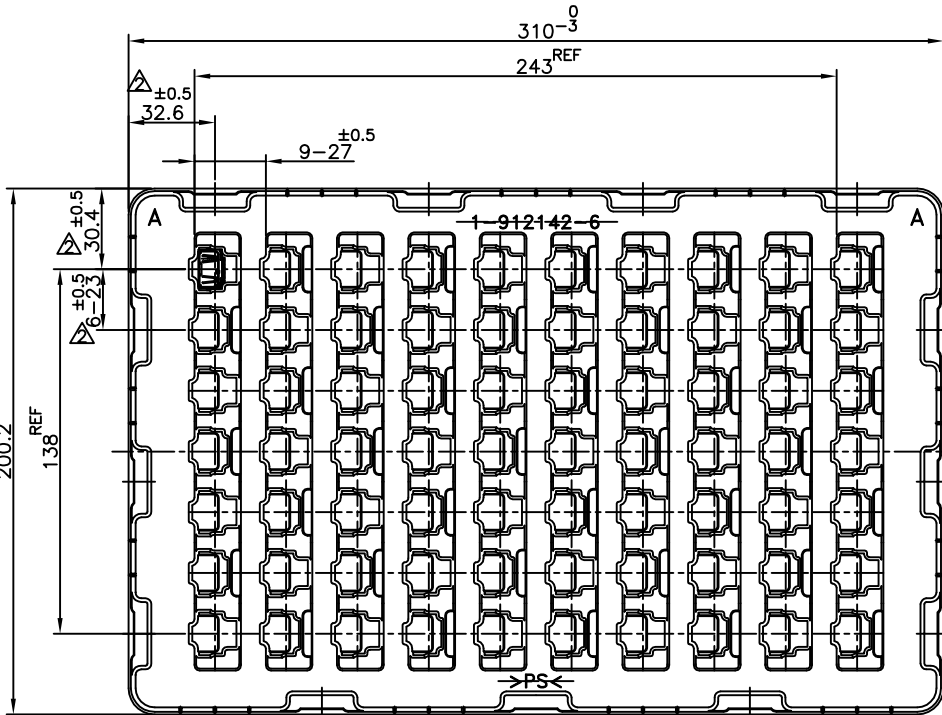
C

B

B

A

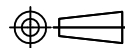
A



THIS DRAWING IS A CONTROLLED DOCUMENT.

DIMENSIONS: 單位: 毫米 mm

TOLERANCES UNLESS OTHERWISE SPECIFIED: 一般公差



- 0 PLC ±
- 1 PLC ±
- 2 PLC ±
- 3 PLC ±
- 4 PLC ±
- ANGLES ±
- FINISH 仕上

MATERIAL 材料

DWN
CHK
APVD
PRODUCT SPEC 製品規格
APPLICATION SPEC 取付適用規格
WEIGHT
CUSTOMER DRAWING

NAME 名稱			
HDMI 19 POS RECEPTACLE ASSY SMT SHORT TYPE			
SIZE	CAGE CODE	DRAWING NO 番号	RESTRICTED TO
A3	00779	C=1903015	-
SCALE 尺度 4:1		SHEET 12 OF 12	REV R

PS	TRAY
MATERIAL	DESCRIPTION



Компания «ЭлектроПласт» предлагает заключение долгосрочных отношений при поставках импортных электронных компонентов на взаимовыгодных условиях!

Наши преимущества:

- Оперативные поставки широкого спектра электронных компонентов отечественного и импортного производства напрямую от производителей и с крупнейших мировых складов;
- Поставка более 17-ти миллионов наименований электронных компонентов;
- Поставка сложных, дефицитных, либо снятых с производства позиций;
- Оперативные сроки поставки под заказ (от 5 рабочих дней);
- Экспресс доставка в любую точку России;
- Техническая поддержка проекта, помощь в подборе аналогов, поставка прототипов;
- Система менеджмента качества сертифицирована по Международному стандарту ISO 9001;
- Лицензия ФСБ на осуществление работ с использованием сведений, составляющих государственную тайну;
- Поставка специализированных компонентов (Xilinx, Altera, Analog Devices, Intersil, Interpoint, Microsemi, Aeroflex, Peregrine, Syfer, Eurofarad, Texas Instrument, Miteq, Cobham, E2V, MA-COM, Hittite, Mini-Circuits, General Dynamics и др.);

Помимо этого, одним из направлений компании «ЭлектроПласт» является направление «Источники питания». Мы предлагаем Вам помощь Конструкторского отдела:

- Подбор оптимального решения, техническое обоснование при выборе компонента;
- Подбор аналогов;
- Консультации по применению компонента;
- Поставка образцов и прототипов;
- Техническая поддержка проекта;
- Защита от снятия компонента с производства.



Как с нами связаться

Телефон: 8 (812) 309 58 32 (многоканальный)

Факс: 8 (812) 320-02-42

Электронная почта: org@eplast1.ru

Адрес: 198099, г. Санкт-Петербург, ул. Калинина, дом 2, корпус 4, литера А.