

PLEASE CHECK WWW.MOLEX.COM FOR LATEST PART INFORMATION

Part Number: **0528850374**
Status: **Active**
Description: 0.635mm (.025") Pitch SlimStack™ Receptacle, Surface Mount, Dual Row, Vertical Stacking, 5.00 to 10.00mm (.197 to .394") Stacking Heights, Embossed Tape with Cover Packaging, 30 Circuits, Lead-free

Documents:

[3D Model](#) [Product Specification PS-52760-015 \(PDF\)](#)
[Drawing \(PDF\)](#) [RoHS Certificate of Compliance \(PDF\)](#)

Agency Certification

UL E29179

General

Product Family PCB Receptacles
 Series [52885](#)
 Application Board-to-Board
 Comments Stacking-Type
 Product Name SlimStack™

Physical

Circuits (Loaded) 30
 Color - Resin Natural
 Durability (mating cycles max) 50
 Flammability 94V-0
 Glow-Wire Compliant No
 Lock to Mating Part Yes
 Mated Height (mm) 10.00 mm, 5.00 mm, 6.00 mm, 7.00 mm, 8.00 mm, 9.00 mm

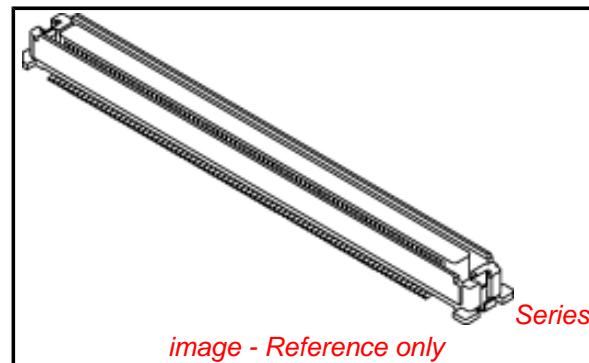
Material - Metal Phosphor Bronze
 Material - Plating Mating Gold
 Material - Plating Termination Tin
 Number of Rows 2
 Orientation Vertical
 PCB Locator Yes
 PCB Retention Yes
 Packaging Type Embossed Tape on Reel
 Pitch - Mating Interface (in) 0.025 In
 Pitch - Mating Interface (mm) 0.64 mm
 Plating min: Mating (µin) 10
 Plating min: Mating (µm) 0.25
 Plating min: Termination (µin) 80
 Plating min: Termination (µm) 2
 Polarized to PCB Yes
 Robotic Placement Pick and Place Cap
 Surface Mount Compatible (SMC) N/A
 Temperature Range - Operating -55°C to +85°C
 Termination Interface: Style Surface Mount

Electrical

Current - Maximum per Contact 0.5A
 Voltage - Maximum 100V

Material Info

Reference - Drawing Numbers



EU RoHS

ELV and RoHS Compliant
REACH SVHC
 Not Reviewed
Halogen-Free Status
Halogen-Free

China RoHS



Need more information on product environmental compliance?

Email productcompliance@molex.com
 For a multiple part number RoHS Certificate of Compliance, [click here](#)

Please visit the [Contact Us](#) section for any non-product compliance questions.

Search Parts in this Series

[52885Series](#)

Mates With

[55091](#) , [53649](#) , [53643](#) , [53475](#) , [53627](#) , [53553](#) , [53552](#) , [53647](#) , [53551](#) , [53481](#) , [53625](#)

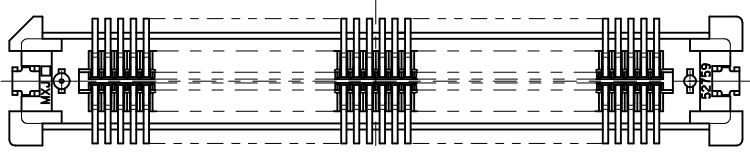
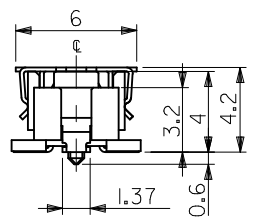
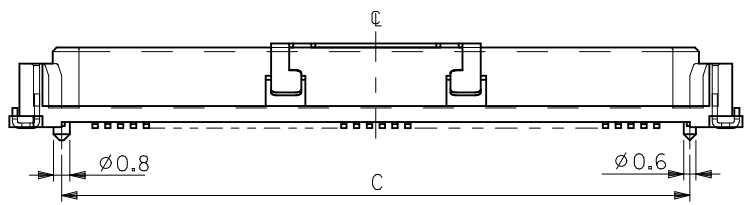
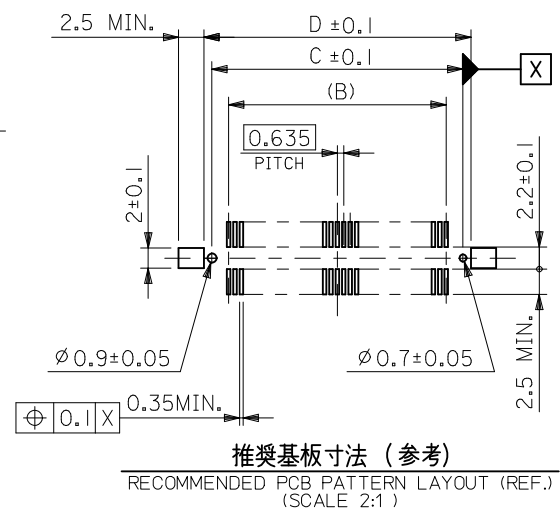
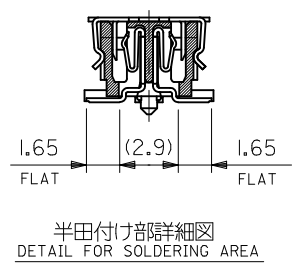
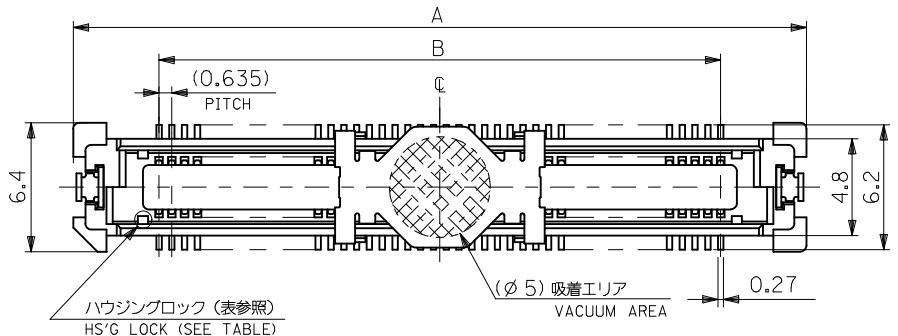
Product Specification

Sales Drawing

PS-52760-015, RPS-52760-017, RPS-52760-018,
RPS-52760-020, RPS-52760-021, RPS-52760-029,
RPS-52885-007, RPS-52885-008, RPS-52885-009
SD-52885-003, SD-52885-004

This document was generated on 04/15/2010

PLEASE CHECK WWW.MOLEX.COM FOR LATEST PART INFORMATION



注) NOTES

1. 材質 MATERIAL
 ハウジング: ガラス入りLCP、白色、UL94V-0
 HOUSING: G.F.LCP, WHITE, UL94V-0
 ターミナル: 銅合金 (t = 0.2)
 TERMINAL: COPPER ALLOY
 吸着カバー: ステンレス (t = 0.2)
 VACUUM COVER: STAINLESS STEEL
 補強金具: 銅合金 (t = 0.25)
 FITTING NAIL: COPPER ALLOY

2. メッキ仕様 PLATING
 ターミナル: 接点部: 金メッキ 0.25 マイクロメートル以上
 CONTACT AREA: GOLD 0.25 MICROMETER MINIMUM
 半田付け部: 錫メッキ 1.0 マイクロメートル以上
 SOLDER TAIL AREA: TIN 1.0 MICROMETER MINIMUM
 下地メッキ: ニッケルメッキ 1.5 マイクロメートル以上
 UNDER-PLATING: NICKEL 1.5 MICROMETER MINIMUM
 補強金具: 錫メッキ 1.0 マイクロメートル以上
 FITTING NAIL: TIN 1.0 MICROMETER MINIMUM
 下地メッキ: ニッケルメッキ 1.0 マイクロメートル以上
 UNDER-PLATING: NICKEL 1.0 MICROMETER MINIMUM

3. テールのバラツキ寸法 TAIL COPLANARITY
 240極以下品のテール平坦度は0.1MAX.、
 240極品のテール平坦度は0.12MAX.とする。
 TAILS COPLANARITY TO BE 0.1MAX.
 IN 240 CIRCUITS, TAILS COPLANARITY TO BE 0.12MAX.

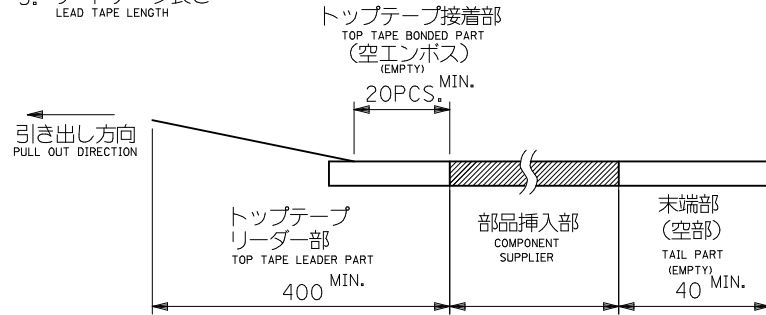
4. エンボス対応済みの極数については、SD-52885-004を参照下さい。
 FOR THE EMBOSSED PACKAGE PRODUCTS, SEE SD-52885-004.

無し NO	80.47	78.87	75.565	84.07	52885-2474	240
	67.77	66.17	62.865	71.37	52885-2074	200
	55.07	53.47	50.165	58.67	52885-1674	160
	48.72	47.12	43.815	52.32	52885-1474	140
	42.37	40.77	37.465	45.97	52885-1274	120
	36.02	34.42	31.115	39.62	52885-1074	100
	32.85	31.25	27.94	36.45	↑ -0974	90
29.67	28.07	24.765	33.27	↑ -0874	80	
有り YES	26.5	24.9	21.59	30.1	↑ -0774	70
	23.32	21.72	18.415	26.92	↑ -0674	60
	20.15	18.55	15.24	23.75	↑ -0574	50
	16.97	15.37	12.065	20.57	↑ -0474	40
ハウジングブロック HS'G LOCK	13.8	12.2	8.89	17.4	↓ -0374	30
	10.62	9.02	5.715	14.22	↓ -0274	20
CONNECTORS SERIES No.					52885-***72	極数 CKT. NO.

REVISED EC NO: J2010-2458 DRWN: KAIHO 2010/06/04 CHKD: T. JO 2010/06/10 APPR: MSASAO 2010/06/11	GENERAL TOLERANCES (UNLESS SPECIFIED)		DIMENSION STYLE MM ONLY		SCALE ---	DESIGN UNITS METRIC	THIRD ANGLE PROJECTION
	10 UNDER	± 0.2	DRAWN BY M. NAGATA	DATE 2004/02/25	TITLE 0.635 PITCH B TO B S/T REC. HSG ASSY -LEAD FREE-		
	10 OVER 30 UNDER	± 0.25	CHECKED BY K. TOJO	DATE 2004/02/25	MOLEX INCORPORATED		
	30 OVER	± 0.3	APPROVED BY M. SASAO	DATE 2004/02/25	DOCUMENT NO. SD-52885-003		
	ANGULAR ± 3 ° DRAFT WHERE APPLICABLE MUST REMAIN WITHIN DIMENSIONS		MATERIAL NO. SEE CHART		SHEET NO. 1 OF 1		THIS DRAWING CONTAINS INFORMATION THAT IS PROPRIETARY TO MOLEX INCORPORATED AND SHOULD NOT BE USED WITHOUT WRITTEN PERMISSION

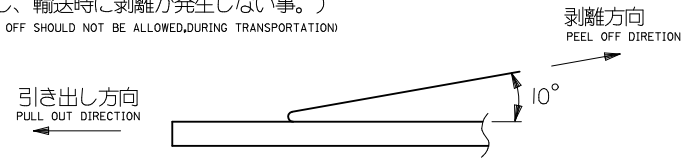
注)
NOTES

- 製品番号 52885-**72 の詳細寸法については SD-52885-003 を参照下さい。
IN THE PACKAGE , PART NO. 52885-**72 DETAILED DIMENSIONS , SEE SD-52885-003
- 梱包数量 : 1000個/リール
NUMBER OF CONNECTORS : 1000 PCS/REEL
- リードテープ長さ
LEAD TAPE LENGTH

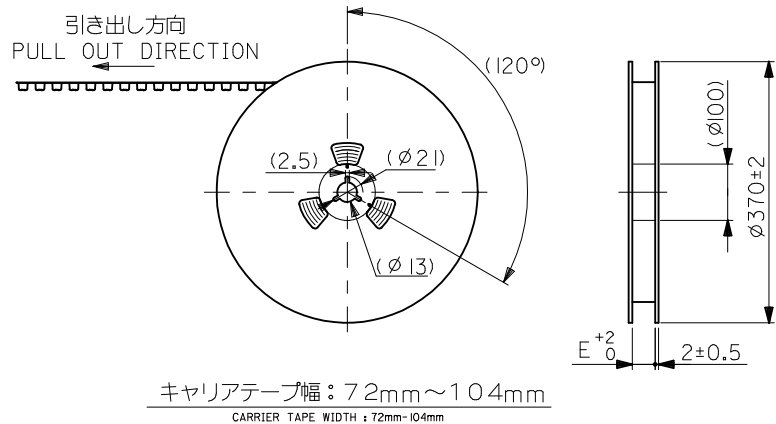
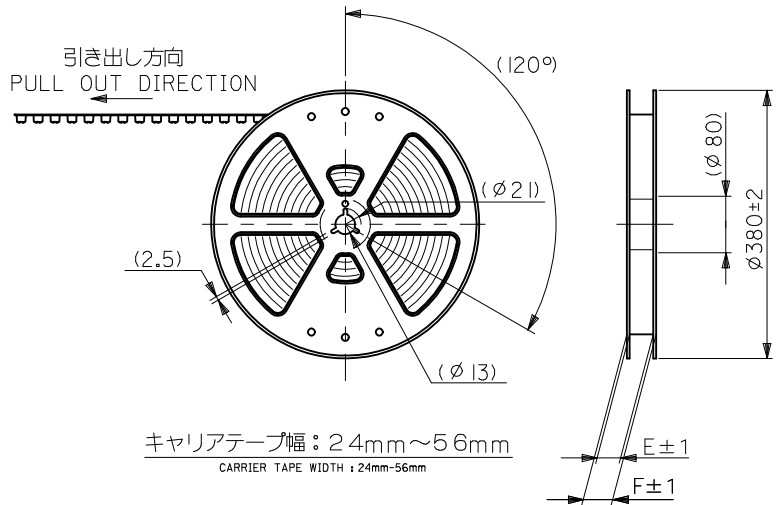


- トップテープの剥離強度 (剥離方向は下図参照)
PEELING OFF FORCE OF TOP TAPE (PEELING DIRECTION AS SHOWN IN FOLLOWING FIG.)
0.1~0.3N {10~130gf}

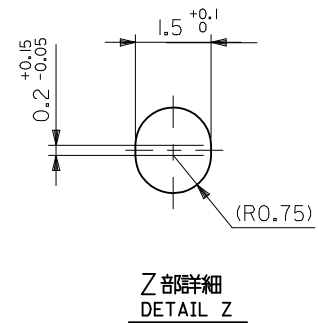
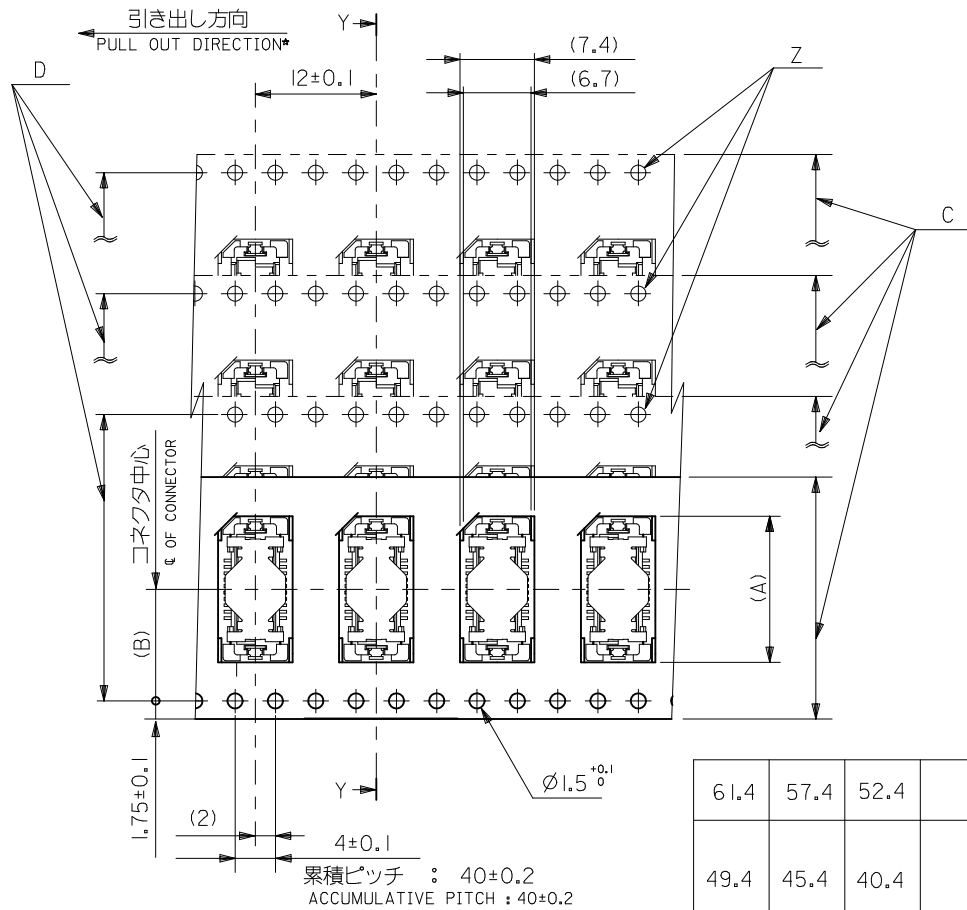
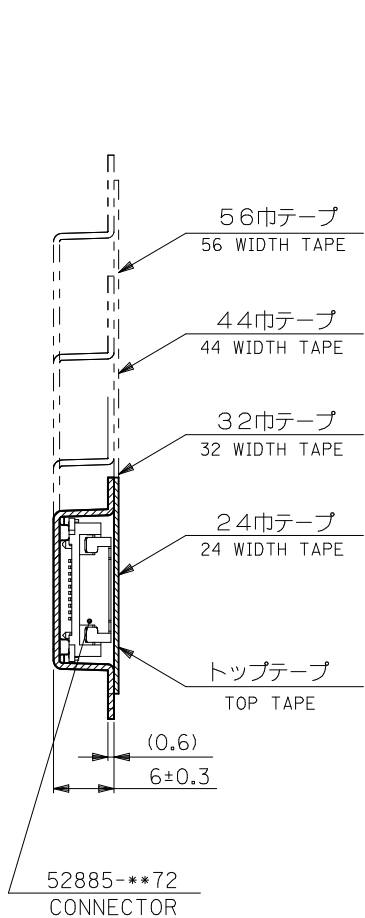
尚、本規格値は、出荷時に適用。
THIS REQUIREMENT SHOULD BE APPLIED AT SHIPMENT
(但し、輸送時に剥離が発生しない事。)
(PEEL OFF SHOULD NOT BE ALLOWED, DURING TRANSPORTATION)



- 材料
MATERIAL
キャリアテープ : ポリプロピレン (PP)
CARRIER TAPE : POLYPROPYLENE (PP)
トップテープ : PET, PE, PEF
TOP TAPE : PET, PE, PEF
リール : キャリアテープ幅 24mm~56mm : ポリスチレン
REEL : CARRIER TAPE WIDTH 24mm-56mm : POLYSTYRENE
キャリアテープ幅 72mm~104mm : 紙
CARRIER TAPE WIDTH 72mm-104mm : CARD BOARD

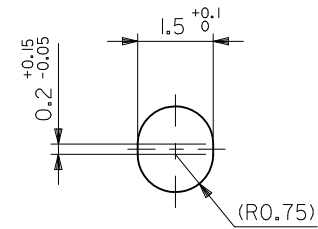
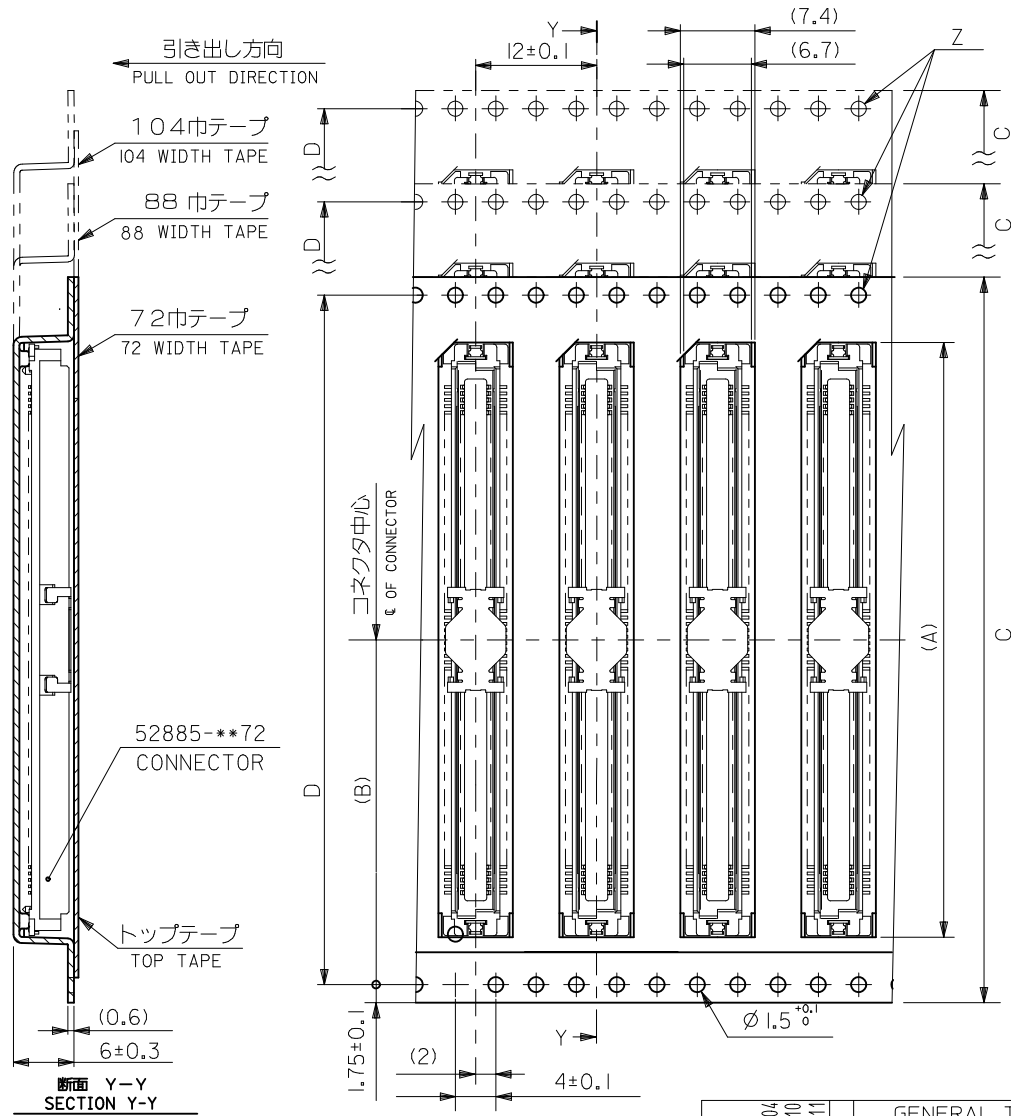


REVISED EC NO: J2010-2458 DRWN:TKAIHO CHKD:K.TOJO APPR:MSASAO	DESCRIPTION 2010/06/04 2010/06/10 2010/06/11	GENERAL TOLERANCES (UNLESS SPECIFIED)		DIMENSION STYLE MM ONLY		CONNECTOR SERIES No.	52885-**72	
		10 UNDER	± ---	DRAWN BY	DATE	SCALE	DESIGN UNITS	THIRD ANGLE PROJECTION
		10 OVER 30 UNDER	± ---	M. NAGATA	2004/02/25	---	METRIC	
		30 OVER	± ---	CHECKED BY	DATE	TITLE		
REV C	REV	ANGULAR ± --- °		APPROVED BY	DATE	52885-**72 TAPING PACKAGE -LEAD FREE-		
		DRAFT WHERE APPLICABLE MUST REMAIN WITHIN DIMENSIONS		M. SASAO	2004/02/25	MOLEX INCORPORATED		
		SIZE A3		MATERIAL NO. SEE TABLE		DOCUMENT NO. SD-52885-004		SHEET NO. 1 OF 3
THIS DRAWING CONTAINS INFORMATION THAT IS PROPRIETARY TO MOLEX INCORPORATED AND SHOULD NOT BE USED WITHOUT WRITTEN PERMISSION								



61.4	57.4	52.4	56 ^{+0.3}	26.2	39.9	52885-1074	100
					36.8	-0974	90
49.4	45.4	40.4	44 ^{+0.3}	20.2	33.6	-0874	80
					30.4	-0774	70
					27.2	-0674	60
					24.1	-0574	50
37.4	33.4	28.4	32 ^{+0.3}	14.2	20.9	-0474	40
					17.7	-0374	30
29.4	25.4	—	24 ^{+0.3}	11.5	14.5	52885-0274	20
F	E	D	C	キャリアテープ幅 CARRIER TAPE WIDTH	(B)	(A)	MATERIAL NO. 極致 CKT.NO.

REVISED EC NO.: J2010-2458 DRWN: KAIHO CH'KD: K. TOJO APPR: MSASAO 2010/06/04 2010/06/10 2010/06/11	GENERAL TOLERANCES (UNLESS SPECIFIED)		DIMENSION STYLE MM ONLY		CONNECTOR SERIES No. 52885-***72
	10 UNDER	± ---	DRAWN BY M. NAGATA	DATE 2004/02/25	SCALE ---
	10 OVER 30 UNDER	± ---	CHECKED BY K. TOJO	DATE 2004/02/25	DESIGN UNITS METRIC
	30 OVER	± ---	APPROVED BY M. SASAO	DATE 2004/02/25	THIRD ANGLE PROJECTION
	ANGULAR ± --- °	DRAFT WHERE APPLICABLE MUST REMAIN WITHIN DIMENSIONS		MOLEX INCORPORATED SD-52885-004 SHEET NO. 2 OF 3	
		SEE TABLE		THIS DRAWING CONTAINS INFORMATION THAT IS PROPRIETARY TO MOLEX INCORPORATED AND SHOULD NOT BE USED WITHOUT WRITTEN PERMISSION	



Z部詳細
DETAIL Z

104.4	100.4	104±0.3	50.2	84.4	52885-2474	240
88.4	84.4	88±0.3	42.2	71.7	52885-2074	200
72.4	68.4	72 ^{+0.3}	34.2	59.0	52885-1674	160
				52.6	52885-1474	140
				46.3	52885-1274	120
E	D	C	キャリアテープ幅 CARRIER TAPE WIDTH	(B)	(A)	MATERIAL NO. 種数 CKT.NO.

累積ピッチ : 40±0.2
ACCUMULATIVE PITCH : 40±0.2

REVISED EC NO: J2010-2458 DRWN:TKAIHO 2010/06/04 CH'KD:K.TOJO 2010/06/10 APPR:MSASAO 2010/06/11 REV C	GENERAL TOLERANCES (UNLESS SPECIFIED)		DIMENSION STYLE MM ONLY		CONNECTOR SERIES No. 52885-**72	
	10 UNDER	±---	DRAWN BY M. NAGATA	DATE 2004/02/25	SCALE ---	DESIGN UNITS METRIC
	10 OVER 30 UNDER	±---	CHECKED BY K. TOJO	DATE 2004/02/25	TITLE 52885-**72 TAPING PACKAGE -LEAD FREE-	
	30 OVER	±---	APPROVED BY M. SASAO	DATE 2004/02/25	MOLEX INCORPORATED	
	ANGULAR ±---° DRAFT WHERE APPLICABLE MUST REMAIN WITHIN DIMENSIONS		MATERIAL NO. SEE TABLE		DOCUMENT NO. SD-52885-004	SHEET NO. 3 OF 3
THIS DRAWING CONTAINS INFORMATION THAT IS PROPRIETARY TO MOLEX INCORPORATED AND SHOULD NOT BE USED WITHOUT WRITTEN PERMISSION						



Компания «ЭлектроПласт» предлагает заключение долгосрочных отношений при поставках импортных электронных компонентов на взаимовыгодных условиях!

Наши преимущества:

- Оперативные поставки широкого спектра электронных компонентов отечественного и импортного производства напрямую от производителей и с крупнейших мировых складов;
- Поставка более 17-ти миллионов наименований электронных компонентов;
- Поставка сложных, дефицитных, либо снятых с производства позиций;
- Оперативные сроки поставки под заказ (от 5 рабочих дней);
- Экспресс доставка в любую точку России;
- Техническая поддержка проекта, помощь в подборе аналогов, поставка прототипов;
- Система менеджмента качества сертифицирована по Международному стандарту ISO 9001;
- Лицензия ФСБ на осуществление работ с использованием сведений, составляющих государственную тайну;
- Поставка специализированных компонентов (Xilinx, Altera, Analog Devices, Intersil, Interpoint, Microsemi, Aeroflex, Peregrine, Syfer, Eurofarad, Texas Instrument, Miteq, Cobham, E2V, MA-COM, Hittite, Mini-Circuits, General Dynamics и др.);

Помимо этого, одним из направлений компании «ЭлектроПласт» является направление «Источники питания». Мы предлагаем Вам помощь Конструкторского отдела:

- Подбор оптимального решения, техническое обоснование при выборе компонента;
- Подбор аналогов;
- Консультации по применению компонента;
- Поставка образцов и прототипов;
- Техническая поддержка проекта;
- Защита от снятия компонента с производства.



Как с нами связаться

Телефон: 8 (812) 309 58 32 (многоканальный)

Факс: 8 (812) 320-02-42

Электронная почта: org@eplast1.ru

Адрес: 198099, г. Санкт-Петербург, ул. Калинина, дом 2, корпус 4, литера А.