

VC-K-T1-Z

Order No.: 1852930

The illustration shows version VC-K-T3-Z



<http://eshop.phoenixcontact.de/phoenix/treeViewClick.do?UID=1852930>

Plastic sleeve housing, locking screws with cylindrical head, type 1,
cable screw connection Pg16

Commercial data	
EAN	4017918133917
Pack	5 pcs.
Customs tariff	85472000
Weight/Piece	0.0472 KG
Catalog page information	Page 368 (PC-2009)

Product notes

WEEE/RoHS-compliant since:
12/15/2005



<http://www.download.phoenixcontact.com>
Please note that the data given here has been taken from the online catalog. For comprehensive information and data, please refer to the user documentation. The General Terms and Conditions of Use apply to Internet downloads.

Technical data**General characteristics**

Note	When using fiber optics, the bending radii of the cable manufacturers must be observed.
Design	VC1
Degree of protection	IP67
Inflammability class acc. to UL 94	V0
Type of the screw connection	Pg16
Pg screw connection	None
Height	65 mm
Cable exit	Lateral
Housing material	PA
Seal material	EPDM
Ambient temperature (operation)	-40 °C ... 80 °C

Certificates / Approvals

Certification

CUL, GOST, UL

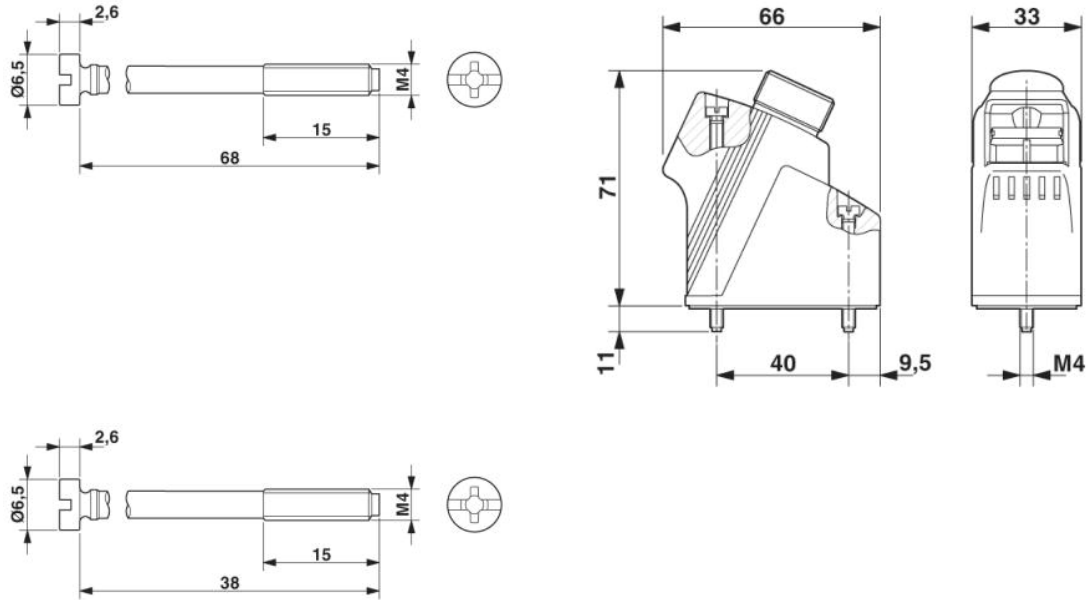
Accessories

Item	Designation	Description
General		
1885376	VC-K-KV-PG16 1X3/1X8	Half screw connection Pg16, made of plastic, consisting of rubber seal with several holes (1 x 3 mm/1 x 8 mm) and a pressure screw, for cable screw connection support VC-M-KV-PG16....
1885389	VC-K-KV-PG16 1X3/1X9	Half screw connection Pg16, made of plastic, consisting of rubber seal with several holes (1 x 6 mm/1 x 9 mm) and a pressure screw, for cable screw connection support VC-M-KV-PG16....
1885415	VC-K-KV-PG16 1X3/2X8	Half screw connection Pg16, made of plastic, consisting of rubber seal with several holes (1 x 3 mm/2 x 8 mm) and a pressure screw, for cable screw connection support VC-M-KV-PG16....
1885402	VC-K-KV-PG16 1X5/1X9	Half screw connection Pg16, made of plastic, consisting of rubber seal with several holes (1 x 5 mm/1 x 9 mm) and a pressure screw, for cable screw connection support VC-M-KV-PG16....

1885428	VC-K-KV-PG16 1X5/2X6	Half screw connection Pg16, made of plastic, consisting of rubber seal with several holes (1 x 5 mm/2 x 6 mm) and a pressure screw, for cable screw connection thread VC-M-KV-PG16....
1885392	VC-K-KV-PG16 1X6/1X8	Half screw connection Pg16, made of plastic, consisting of rubber seal with several holes (1 x 6 mm/1 x 8 mm) and a pressure screw, for cable screw connection support VC-M-KV-PG16....
1885431	VC-K-KV-PG16 2X6/1X7	Half screw connection Pg16, made of plastic, consisting of rubber seal with several holes (2 x 6 mm/1 x 7 mm) and a pressure screw, for cable screw connection thread VC-M-KV-PG16....
1885444	VC-K-KV-PG16 3X7	Half screw connection Pg16, made of plastic, consisting of rubber seal with several holes (3 x 7 mm) and one pressure screw, for cable screw connection support VC-M-KV-PG16....
1607664	VC-K-KV-PG16 7/14	Half screw connection Pg16, made of plastic, consisting of rubber seal with one hole and one pressure screw, for type 1 housings, cable [mm] 7 - 14
1854459	VC-K-KV-PG16(4- 6,5)	Half screw connection Pg16, made of plastic, consisting of rubber seal with one hole and one pressure screw, for type 1 housings, cable [mm] 4 - 6.5
1853735	VC-K-KV-PG16(5- 8)	Half screw connection Pg16, made of plastic, consisting of rubber seal with one hole and one pressure screw, for type 1 housings, cable [mm] 7 - 14
1853748	VC-K-KV-PG16(6,5- 9,5)	Half screw connection Pg16, made of plastic, consisting of rubber seal with one hole and one pressure screw, for type 1 housings, cable [mm] 7 - 14
1853751	VC-K-KV-PG16(7-10,5)	Half screw connection Pg16, made of plastic, consisting of rubber seal with one hole and one pressure screw, for type 1 housings, cable [mm] 7 - 14
1853764	VC-K-KV-PG16(9-13)	Half screw connection Pg16, made of plastic, consisting of rubber seal with one hole and one pressure screw, for type 1 housings, cable [mm] 9 - 13
1854844	VC-K-KV-PG16(11,5-15,5)	Half screw connection Pg16, made of plastic, consisting of rubber seal with one hole and one pressure screw, for type 1 housings, cable [mm] 11.5 - 15.5
Marking		
1852875	VC-BZS WH	Marker labels, unprinted, 5-section, for individual labeling with M-PEN or CMS system, white

Diagrams/Drawings

Dimensioned drawing



VC-K-T1-Z Order No.: 1852930

<http://eshop.phoenixcontact.de/phoenix/treeViewClick.do?UID=1852930>

Address

PHOENIX CONTACT Deutschland GmbH
Flachmarktstr. 8
32825 Blomberg, Germany
Phone +49 5235 3 12000
Fax +49 5235 3 41200
<http://www.phoenixcontact.de>



© 2010 Phoenix Contact
Technical modifications reserved;



Компания «ЭлектроПласт» предлагает заключение долгосрочных отношений при поставках импортных электронных компонентов на взаимовыгодных условиях!

Наши преимущества:

- Оперативные поставки широкого спектра электронных компонентов отечественного и импортного производства напрямую от производителей и с крупнейших мировых складов;
- Поставка более 17-ти миллионов наименований электронных компонентов;
- Поставка сложных, дефицитных, либо снятых с производства позиций;
- Оперативные сроки поставки под заказ (от 5 рабочих дней);
- Экспресс доставка в любую точку России;
- Техническая поддержка проекта, помощь в подборе аналогов, поставка прототипов;
- Система менеджмента качества сертифицирована по Международному стандарту ISO 9001;
- Лицензия ФСБ на осуществление работ с использованием сведений, составляющих государственную тайну;
- Поставка специализированных компонентов (Xilinx, Altera, Analog Devices, Intersil, Interpoint, Microsemi, Aeroflex, Peregrine, Syfer, Eurofarad, Texas Instrument, Miteq, Cobham, E2V, MA-COM, Hittite, Mini-Circuits, General Dynamics и др.);

Помимо этого, одним из направлений компании «ЭлектроПласт» является направление «Источники питания». Мы предлагаем Вам помощь Конструкторского отдела:

- Подбор оптимального решения, техническое обоснование при выборе компонента;
- Подбор аналогов;
- Консультации по применению компонента;
- Поставка образцов и прототипов;
- Техническая поддержка проекта;
- Защита от снятия компонента с производства.



Как с нами связаться

Телефон: 8 (812) 309 58 32 (многоканальный)

Факс: 8 (812) 320-02-42

Электронная почта: org@eplast1.ru

Адрес: 198099, г. Санкт-Петербург, ул. Калинина, дом 2, корпус 4, литера А.