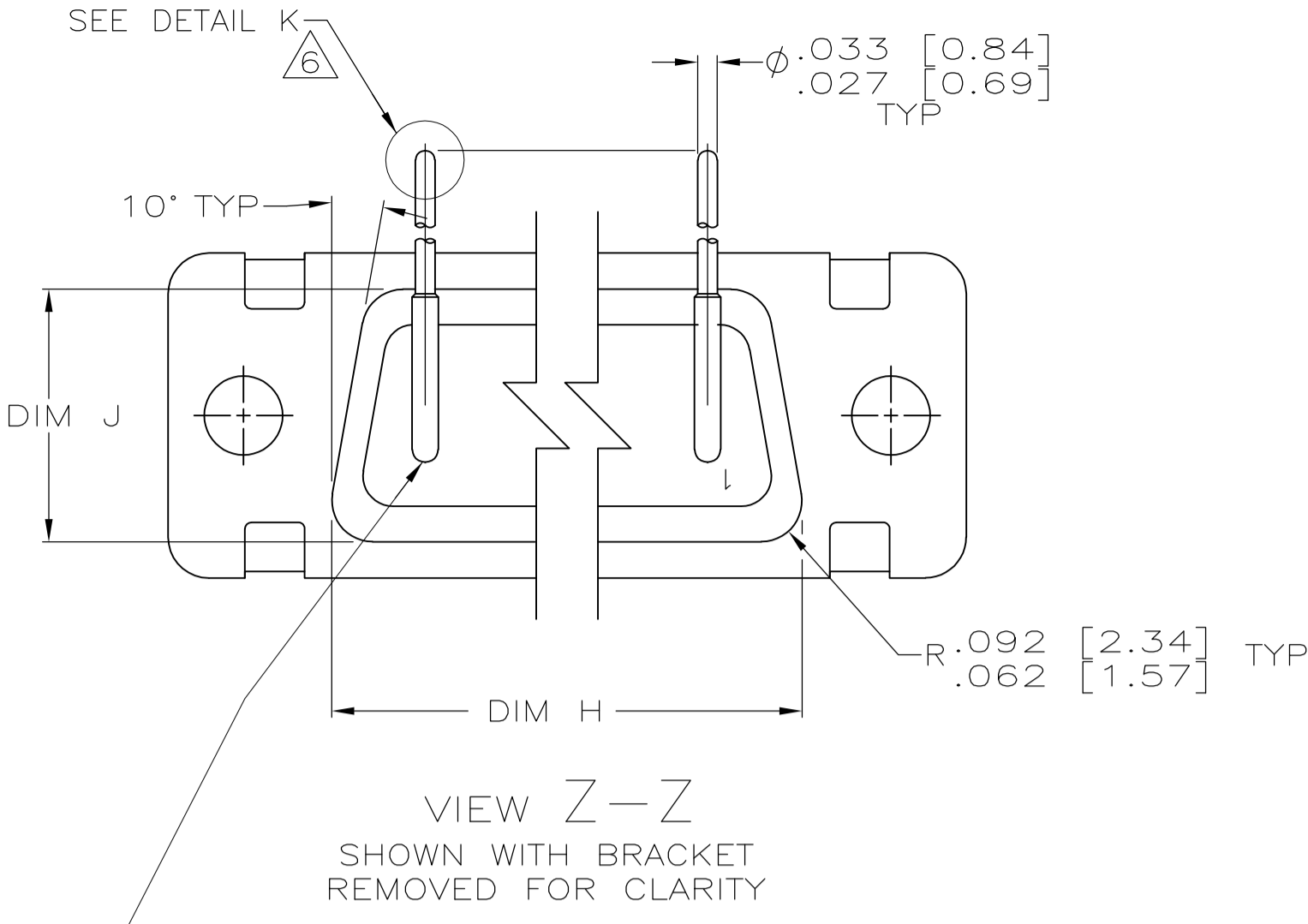
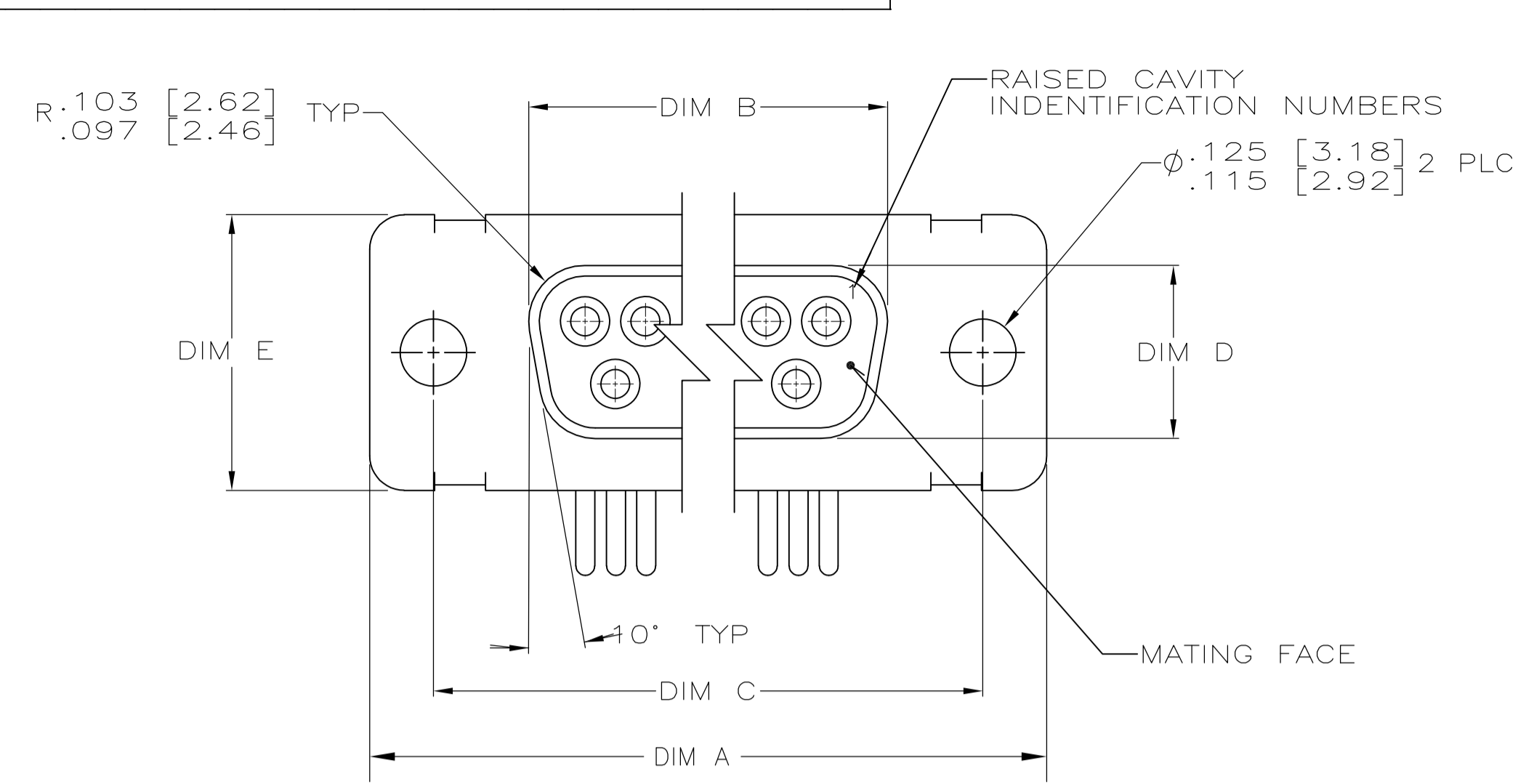
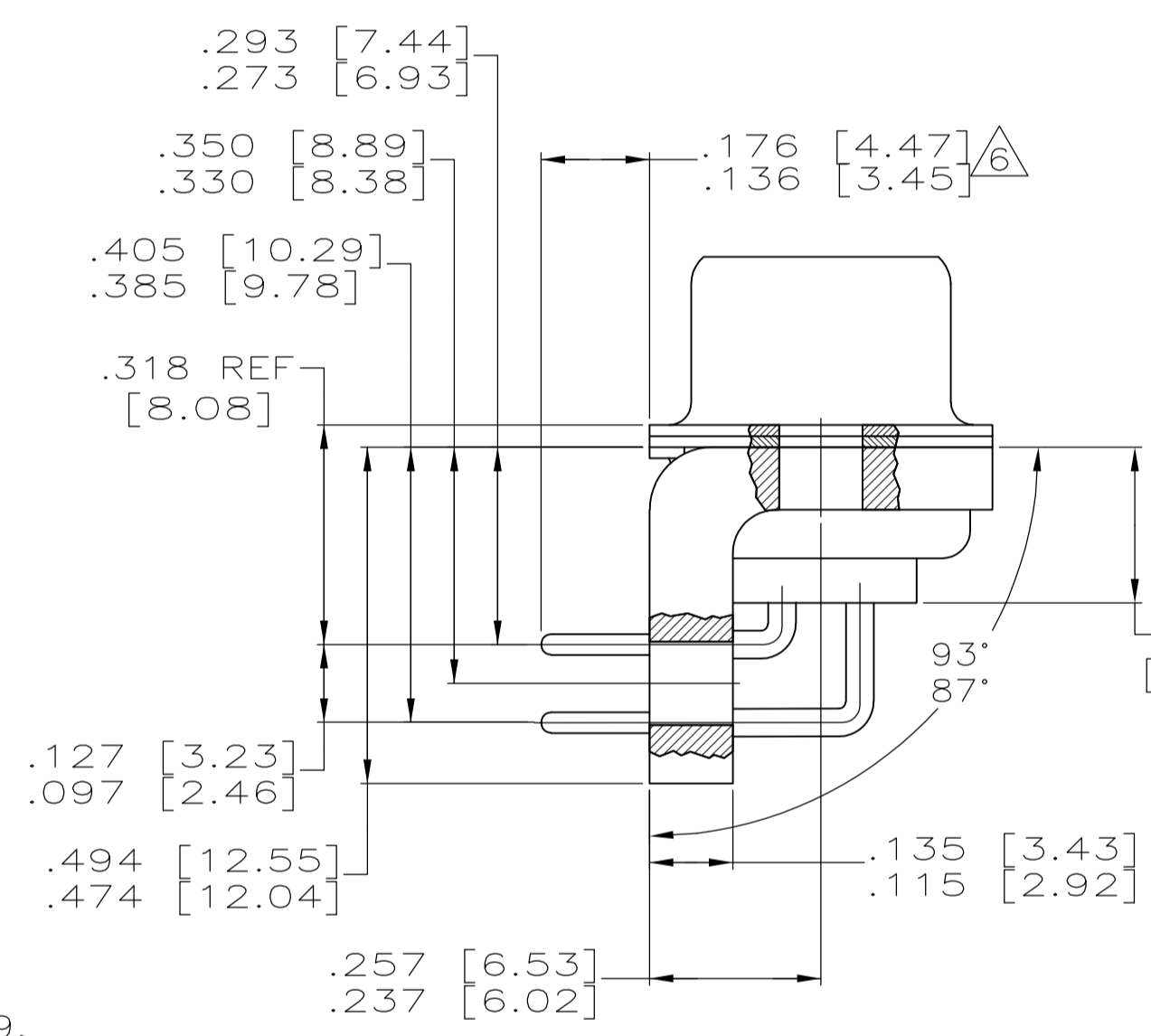
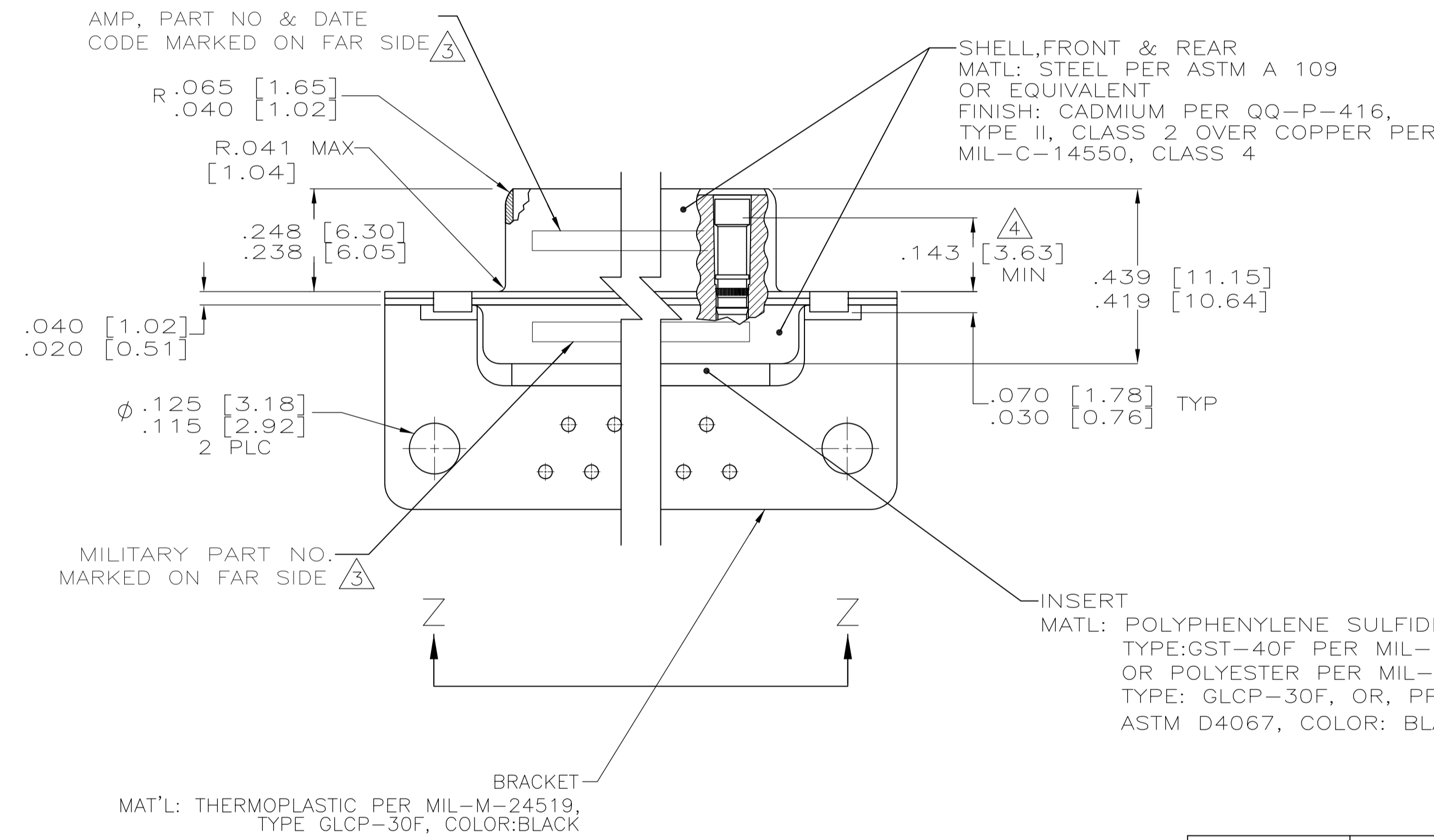


| LOC | DIST | REV | DESCRIPTION | DATE | BY | APPV |
|-----|---------------------------|-----|-------------|---------|----|------|
| D1 | REVISED PER ECO-11-005030 | | | 11MAR11 | RK | HMR |

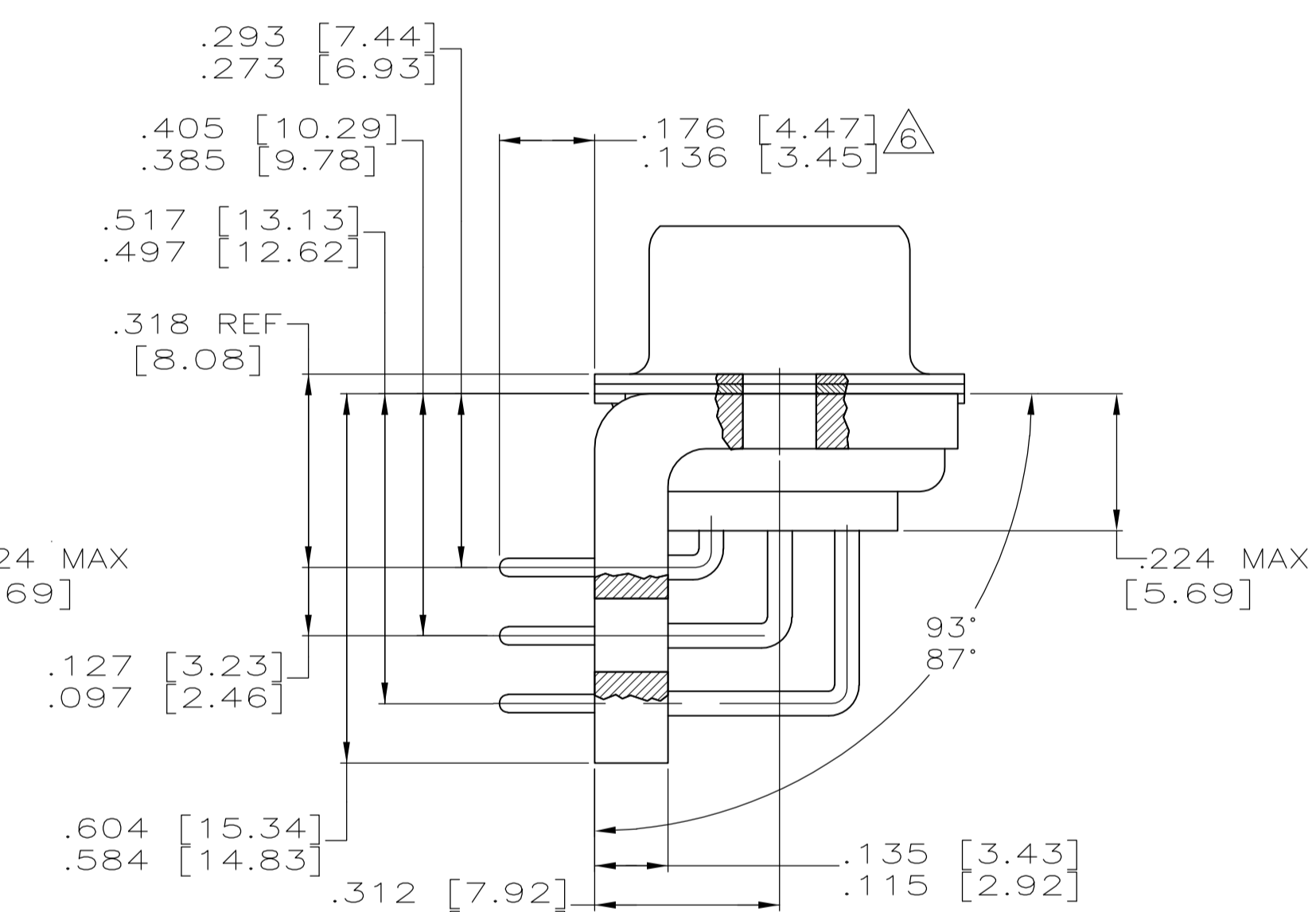


CONTACT (QTY = NO. OF POSN)
 MATL: BRASS PER ASTM-B-16, OR BERYLLIUM COPPER PER ASTM-B-194
 FINISH: GOLD PER MIL-G-45204, TYPE II, GRADE C, CLASS 1 IN CONTACT MATING AREA, .000010 [0.0003] MIN THK GOLD PER MIL-G-45204 OVER .000050 [0.0013] MIN THK NICKEL PER QQ-N-290 ON CONTACT BODY

- 1. SEE SHEET 2 FOR RECOMMENDED P.C. BOARD LAYOUT. TRUE POSITION TOLERANCE FOR P.C. BOARD LAYOUT IS .010 [0.25] AT MAX MATERIAL CONDITION. SUGGESTED BOARD THICKNESS IS .125 [3.18]
- 2. THE CONNECTORS DESCRIBED IN THIS DOCUMENT MEET THE REQUIREMENTS OF MIL-C-24308 AND MATE WITH ANY PLUG CONNECTOR WITH SAME INSERT ARRANGEMENT.
- 3. MARKED WITH .047 [1.19]-.062 [1.57] HIGH CHARACTERS. FAR SIDE REFERS TO THE WIDE SIDE OF THE KEYSTONE. NEAR SIDE REFERS TO THE NARROW SIDE OF THE KEYSTONE. IF THE REAR SHELL IS TOO SMALL FOR THE ENTIRE MILITARY PART NUMBER, MARKING SHALL BE LOCATED AS FOLLOWS:
 - A. "M24308" ON FRONT SHELL, FAR SIDE.
 - B. SLASH SHEET AND DASH NUMBER ON REAR SHELL, FAR SIDE.
 - C. "AMP" AND DATE CODE ON FRONT SHELL, NEAR SIDE.
 - D. PART NUMBER ON REAR SHELL, NEAR SIDE.
 IF THE FRONT SHELL IS TOO SMALL FOR "AMP", PART NUMBER AND DATE CODE, MARKING SHALL BE SPLIT AS FOLLOWS:
 - A. PART NUMBER ON REAR SHELL, NEAR SIDE.
 - B. "AMP" AND DATE CODE ON FRONT SHELL, NEAR SIDE.
 - C. MILITARY PART NUMBER ON REAR SHELL, FAR SIDE.
- 4. POINT OF ELECTRICAL ENGAGEMENT - AS MEASURED WITH A .0390 [0.991]-.0393 [0.998] DIA SQUARE ENDED TEST PIN.
- 5. THIS DRAWING SHALL BE INTERPRETED IN ACCORDANCE WITH APPLICABLE STANDARDS LISTED IN MIL-STD-100.
- 6. SOLDER DIP PER MIL-STD-2000 COMPOSITION Sn63 CONFORMING TO QQ-S-571 IN THE ENTIRE AREA OF DIMENSION SHOWN. 1218408-6 THRU -10 ONLY.

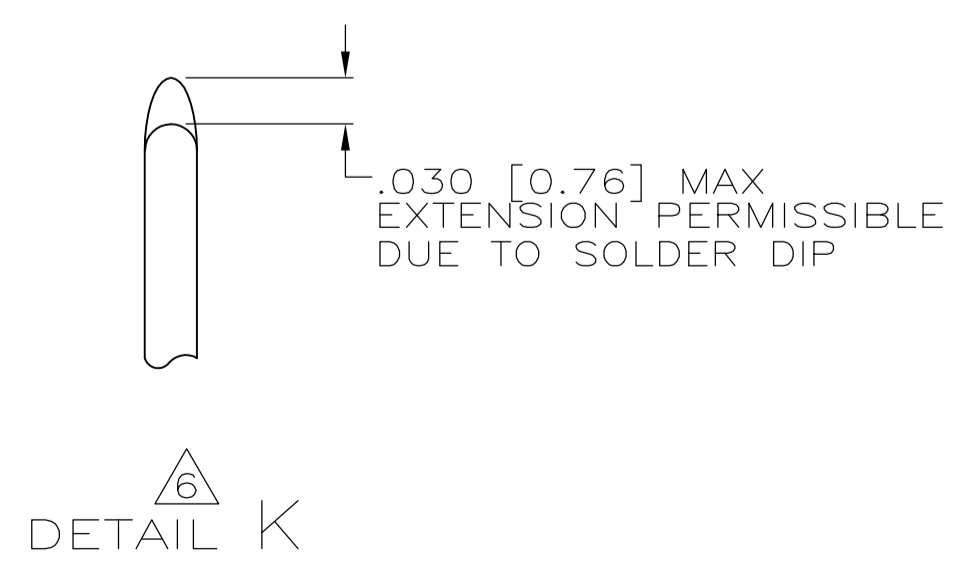


SHELL SIZES 1 THRU 4 CONTACT CONFIGURATION



SHELL SIZE 5 CONTACT CONFIGURATION

| DIM J | DIM H | DIM E | DIM D | DIM C | DIM B | DIM A | INSERT ARRANGEMENT | NO OF POS | SHELL SIZE | MILITARY P/N ON CONNECTOR | P/N MARKED ON CONNECTOR | PART NO. |
|------------------------------|--------------------------------|------------------------------|------------------------------|--------------------------------|--------------------------------|--------------------------------|--------------------|-----------|------------|---------------------------|-------------------------|-------------|
| .544 [13.82] .524 [13.31] | 2.188 [55.58] 2.168 [55.07] | .620 [15.75] .590 [14.99] | .428 [10.87] .418 [10.62] | 2.411 [61.24] 2.401 [60.99] | 2.069 [52.55] 2.059 [52.30] | 2.650 [67.31] 2.620 [66.55] | MS18277-1 | 50 | 5 | M24308/23-35F | 1218408-5 | 1-1218408-0 |
| .432 [10.97] .412 [10.46] | 2.282 [57.96] 2.262 [57.45] | .509 [12.93] .479 [12.17] | .316 [8.03] .306 [7.77] | 2.505 [63.63] 2.495 [63.37] | 2.164 [54.97] 2.154 [54.71] | 2.744 [69.70] 2.714 [68.94] | MS18276-1 | 37 | 4 | M24308/23-34F | 1218408-4 | 1218408-9 |
| .432 [10.97] .412 [10.46] | 1.635 [41.53] 1.615 [41.02] | .509 [12.93] .479 [12.17] | .316 [8.03] .306 [7.77] | 1.857 [47.17] 1.847 [46.91] | 1.516 [38.51] 1.506 [38.25] | 2.103 [53.42] 2.073 [52.65] | MS18275-1 | 25 | 3 | M24308/23-33F | 1218408-3 | 1218408-8 |
| .432 [10.97] .412 [10.46] | 1.093 [27.76] 1.073 [27.25] | .509 [12.93] .479 [12.17] | .316 [8.03] .306 [7.77] | 1.317 [33.45] 1.307 [33.20] | .976 [24.79] .966 [24.54] | 1.556 [39.52] 1.526 [38.76] | MS18274-1 | 15 | 2 | M24308/23-32F | 1218408-2 | 1218408-7 |
| .432 [10.97] .412 [10.46] | .769 [19.53] .749 [19.02] | .509 [12.93] .479 [12.17] | .316 [8.03] .306 [7.77] | .989 [25.12] .979 [24.87] | .648 [16.46] .638 [16.21] | 1.228 [31.19] 1.198 [30.43] | MS18273-1 | 9 | 1 | M24308/23-31F | 1218408-1 | 1218408-6 |
| .544 [13.82] .524 [13.31] | 2.188 [55.58] 2.168 [55.07] | .620 [15.75] .590 [14.99] | .428 [10.87] .418 [10.62] | 2.411 [61.24] 2.401 [60.99] | 2.069 [52.55] 2.059 [52.30] | 2.650 [67.31] 2.620 [66.55] | MS18277-1 | 50 | 5 | M24308/23-35F | 1218408-5 | 1218408-5 |
| .432 [10.97] .412 [10.46] | 2.282 [57.96] 2.262 [57.45] | .509 [12.93] .479 [12.17] | .316 [8.03] .306 [7.77] | 2.505 [63.63] 2.495 [63.37] | 2.164 [54.97] 2.154 [54.71] | 2.744 [69.70] 2.714 [68.94] | MS18276-1 | 37 | 4 | M24308/23-34F | 1218408-4 | 1218408-4 |
| .432 [10.97] .412 [10.46] | 1.635 [41.53] 1.615 [41.02] | .509 [12.93] .479 [12.17] | .316 [8.03] .306 [7.77] | 1.857 [47.17] 1.847 [46.91] | 1.516 [38.51] 1.506 [38.25] | 2.103 [53.42] 2.073 [52.65] | MS18275-1 | 25 | 3 | M24308/23-33F | 1218408-3 | 1218408-3 |
| .432 [10.97] .412 [10.46] | 1.093 [27.76] 1.073 [27.25] | .509 [12.93] .479 [12.17] | .316 [8.03] .306 [7.77] | 1.317 [33.45] 1.307 [33.20] | .976 [24.79] .966 [24.54] | 1.556 [39.52] 1.526 [38.76] | MS18274-1 | 15 | 2 | M24308/23-32F | 1218408-2 | 1218408-2 |
| .432 [10.97] .412 [10.46] | .769 [19.53] .749 [19.02] | .509 [12.93] .479 [12.17] | .316 [8.03] .306 [7.77] | .989 [25.12] .979 [24.87] | .648 [16.46] .638 [16.21] | 1.228 [31.19] 1.198 [30.43] | MS18273-1 | 9 | 1 | M24308/23-31F | 1218408-1 | 1218408-1 |

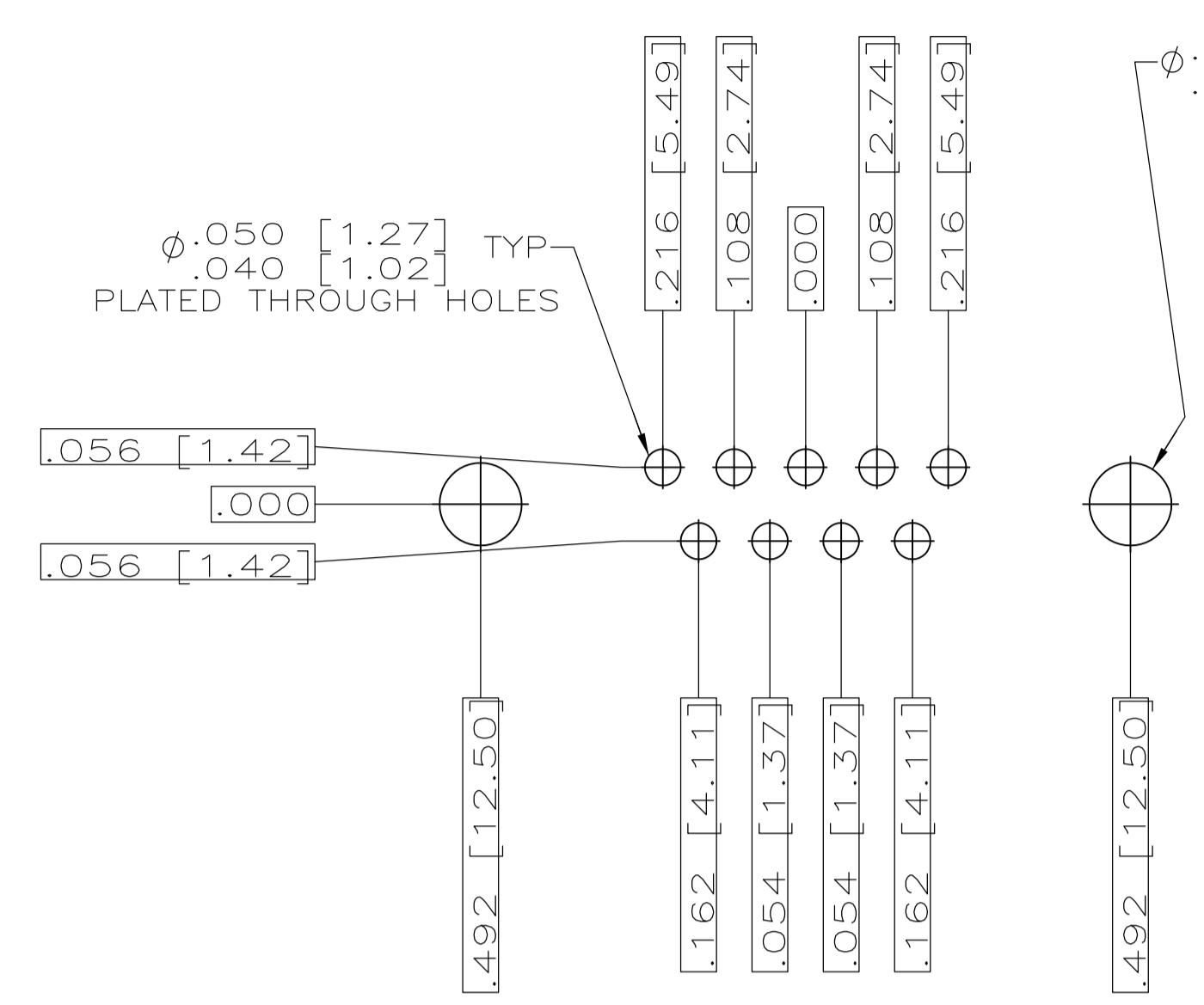


THIS DRAWING IS A CONTROLLED DOCUMENT.

| | | | |
|------------------------|--|-------------------------------|---------------------|
| DIMENSIONS: INCHES | TOLERANCES UNLESS OTHERWISE SPECIFIED: | DIN C.C. THOMAS 11-3-99 | 12-15-99 |
| 0 PLC ± .005 | 1 PLC ± .005 | 2 PLC ± .005 | 3 PLC ± .010 [0.25] |
| 4 PLC ± .005 | ANGLES ± 1° | APPROVED: CHAD BAKER 12-15-99 | NAME: CHAD BAKER |
| MATERIAL: SEE CALLOUTS | FINISH: SEE CALLOUTS | WEIGHT: -- | SIZE: A1 |
| CUSTOMER DRAWING | | SCALE: 4:1 | SHEET: 1 OF 2 |

RECEPTACLE ASSY, AMPLIMITE RIGHT ANGLE, SERIES 109 SIZE 1 THRU 5

00779 © 1218408



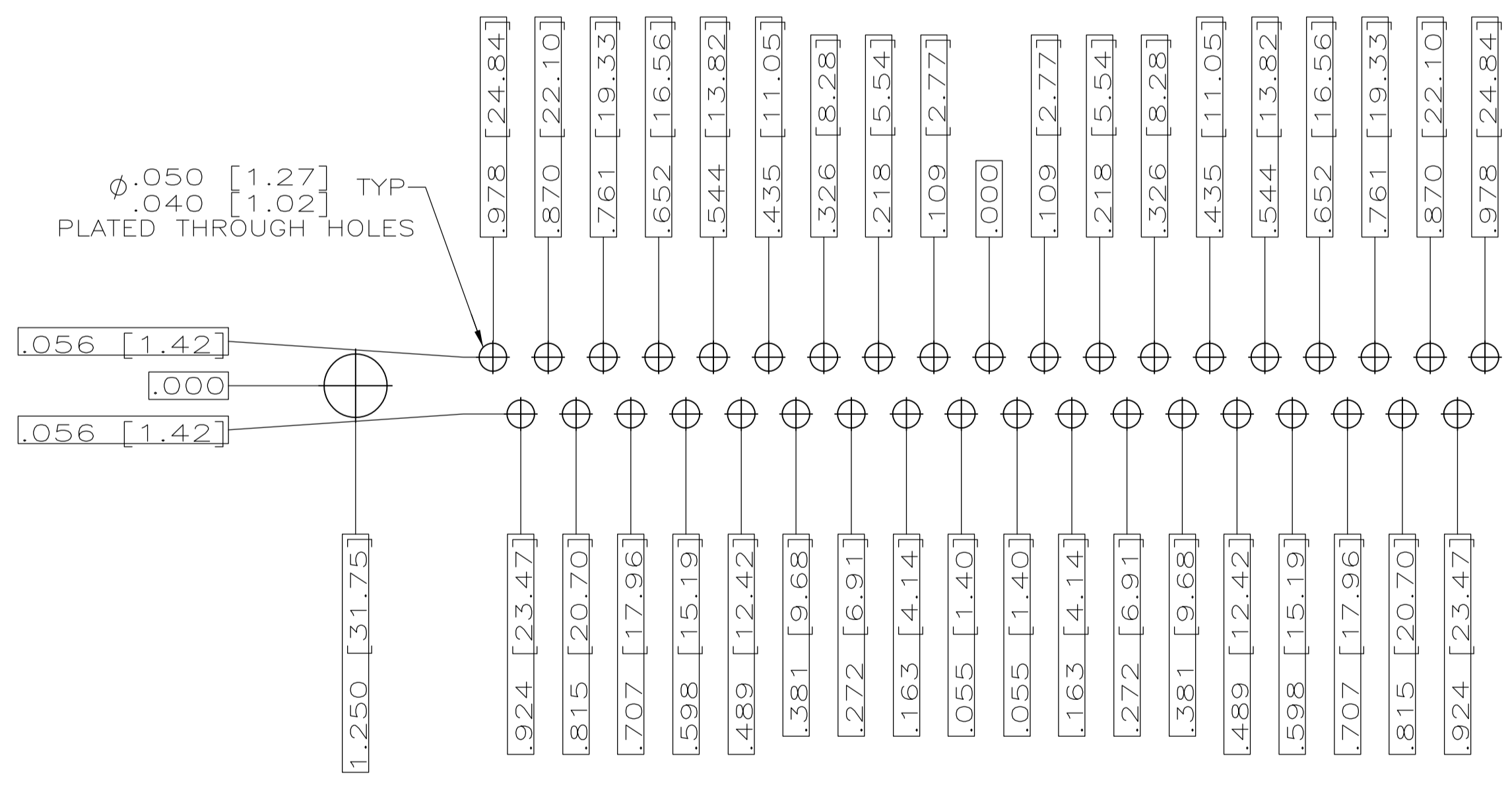
RECOMMENDED P.C. BOARD LAYOUT
SHELL SIZE 1 (9 POSITION)



RECOMMENDED P.C. BOARD LAYOUT
SHELL SIZE 2 (15 POSITION)



RECOMMENDED P.C. BOARD LAYOUT
SHELL SIZE 3 (25 POSITION)



RECOMMENDED P.C. BOARD LAYOUT
SHELL SIZE 4 (37 POSITION)



RECOMMENDED P.C. BOARD LAYOUT
SHELL SIZE 5 (50 POSITION)

| | | | |
|--|----------------------|---|---|
| THIS DRAWING IS A CONTROLLED DOCUMENT. | | DWN: C.C.THOMAS 11-3-99 CHK: CHAD BAKER 12-15-99 APVD: CHAD BAKER 12-15-99 PRODUCT SPEC: - APPLICATION SPEC: - FINISH: - | STE TE Connectivity NAME: RECEPTACLE ASSY,AMPLIMITE RIGHT ANGLE,SERIES 109,SIZE 1 THRU 5 SIZE: A1 CAGE CODE: 00779 DRAWING NO: 1218408 WEIGHT: - CUSTOMER DRAWING: - |
| DIMENSIONS: INCHES TOLERANCES UNLESS OTHERWISE SPECIFIED: 0 PL ± .010 (0.25) 1 PL ± .010 (0.25) 2 PL ± .010 (0.25) 3 PL ± .010 (0.25) 4 PL ± .010 (0.25) ANGLES ± .4° | FINISH: SEE CALLOUTS | SCALE: 4:1 SHEET: 2 OF 2 REV: D1 | |



Компания «ЭлектроПласт» предлагает заключение долгосрочных отношений при поставках импортных электронных компонентов на взаимовыгодных условиях!

Наши преимущества:

- Оперативные поставки широкого спектра электронных компонентов отечественного и импортного производства напрямую от производителей и с крупнейших мировых складов;
- Поставка более 17-ти миллионов наименований электронных компонентов;
- Поставка сложных, дефицитных, либо снятых с производства позиций;
- Оперативные сроки поставки под заказ (от 5 рабочих дней);
- Экспресс доставка в любую точку России;
- Техническая поддержка проекта, помощь в подборе аналогов, поставка прототипов;
- Система менеджмента качества сертифицирована по Международному стандарту ISO 9001;
- Лицензия ФСБ на осуществление работ с использованием сведений, составляющих государственную тайну;
- Поставка специализированных компонентов (Xilinx, Altera, Analog Devices, Intersil, Interpoint, Microsemi, Aeroflex, Peregrine, Syfer, Eurofarad, Texas Instrument, Miteq, Cobham, E2V, MA-COM, Hittite, Mini-Circuits, General Dynamics и др.);

Помимо этого, одним из направлений компании «ЭлектроПласт» является направление «Источники питания». Мы предлагаем Вам помощь Конструкторского отдела:

- Подбор оптимального решения, техническое обоснование при выборе компонента;
- Подбор аналогов;
- Консультации по применению компонента;
- Поставка образцов и прототипов;
- Техническая поддержка проекта;
- Защита от снятия компонента с производства.



Как с нами связаться

Телефон: 8 (812) 309 58 32 (многоканальный)

Факс: 8 (812) 320-02-42

Электронная почта: org@eplast1.ru

Адрес: 198099, г. Санкт-Петербург, ул. Калинина, дом 2, корпус 4, литера А.