



Main

| | |
|---|--|
| Range of product | OsiSense XM |
| Product or component type | Electronic pressure sensors |
| Pressure sensor type | Pressure transmitter |
| Pressure switch type of operation | Pressure transmitter |
| Device short name | XMLR |
| Pressure sensor size | -14.5 psi (-1 bar) -14.5 psi |
| Maximum permissible accidental pressure | 43.51 psi (3 bar) 43 psi 300 kPa |
| Destruction pressure | 43.51 psi (3 bar) 43 psi 300 kPa |
| Controlled fluid | Fresh water (32...176 °F (0...80 °C)) Air (-20...80 °C) Hydraulic oil (-20...80 °C) Refrigeration fluid (-20...80 °C) |
| Fluid connection type | G 1/4 (female) conforming to DIN 3852-Y |
| [Us] rated supply voltage | 24 V DC SELV, voltage limits: 17...33 V |

Complementary

| | |
|---------------------------------|---|
| Current consumption | <= 50 mA |
| Electrical connection | 4 pins M12 male connector |
| Analogue output function | 4...20 mA |
| Type of output signal | Analogue |
| Analogue output function | 4...20 mA |
| Scale type | Fixed differential |
| Materials in contact with fluid | Ceramic Fluorocarbon FKM (Viton) 316L stainless steel |
| Front material | Polyester |
| Housing material | Polyacrylamide 316L stainless steel |
| Operating position | Any position, but disposals can falsified the measurement in case of upside down mounting |
| Protection type | Overload protection Overvoltage protection Reverse polarity Short-circuit protection |
| Response time on output | <= 10 ms analog output |
| Display type | 4 digits 7 segments |
| Display response time type | Fast 50 ms Normal 200 ms Slow 600 ms |
| Delay first up | <= 300 ms |
| Accuracy | <= 1 % of the measuring range |
| Linearity error | <= 0.5 % of the measuring range |
| Hysteresis | <= 0.2 % of the measuring range |
| Measurement accuracy | <= 0.6 % of the measuring range |
| Repeat accuracy | <= 0.2 % of the measuring range |
| Drift of the sensitivity | +/- 0.03 % of measuring range/°C |
| Drift of the zero point | +/- 0.1 % of measuring range/°C |
| Display accuracy | <= 1 % of the measuring range |

The information provided in this documentation contains general descriptions and/or technical characteristics of the performance of the products contained herein. This documentation is not intended as a substitute for and is not to be used for determining suitability or reliability of these products for specific user applications. It is the duty of any such user or integrator to perform the appropriate and complete risk analysis, evaluation and testing of the products with respect to the relevant specific application or use thereof. Neither Schneider Electric Industries SAS nor any of its affiliates or subsidiaries shall be responsible or liable for misuse of the information contained herein.

| | |
|--|---|
| Mechanical durability | >= 10000000 cycles |
| Depth | 1.65 in (42 mm) |
| Height | 3.66 in (93 mm) |
| Width | 1.61 in (41 mm) |
| Product weight | 0.42 lb(US) (0.19 kg) |
| [Uimp] rated impulse withstand voltage | 0.5 kV DC |
| Electromagnetic compatibility | Electrostatic discharge immunity test - test level 8 kV air, 4 kV contact conforming to EN/IEC 61000-4-2 Susceptibility to electromagnetic fields - test level 10 V/m (80...2000 MHz) conforming to EN/IEC 61000-4-3 Electrical fast transient/burst immunity test - test level 2 kV conforming to EN/IEC 61000-4-4 Surge immunity test - test level 1 kV conforming to EN/IEC 61000-4-5 Immunity to conducted RF disturbances - test level 10 V (0.15...80 MHz) conforming to EN/IEC 61000-4-6 |

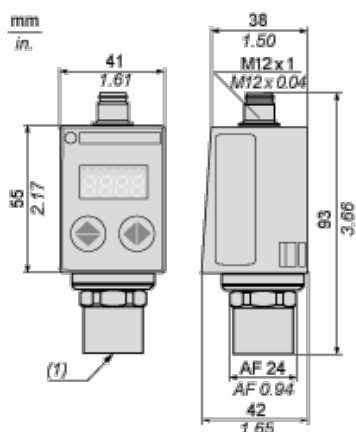
Environment

| | |
|---------------------------------------|--|
| marking | CE |
| product certifications | CULus EAC |
| standards | UL 61010-1 EN/IEC 61326-2-3 |
| ambient air temperature for operation | -4...176 °F (-20...80 °C) |
| ambient air temperature for storage | -40...176 °F (-40...80 °C) |
| IP degree of protection | IP65 conforming to EN/IEC 60529 IP67 conforming to EN/IEC 60529 |
| vibration resistance | 20 gn (f = 10...2000 Hz) conforming to EN/IEC 60068-2-6 |
| shock resistance | 50 gn conforming to EN/IEC 60068-2-27 |

Offer Sustainability

| | |
|--|--|
| Not Green Premium product | Not Green Premium product |
| Compliant - since 1351 - Schneider Electric declaration of conformity | Compliant - since 1351 - Schneider Electric declaration of conformity |
| Reference not containing SVHC above the threshold | Reference not containing SVHC above the threshold |
| WARNING: This product can expose you to chemicals including: | WARNING: This product can expose you to chemicals including: |
| Diisononyl phthalate (DINP), which is known to the State of California to cause cancer, and | Diisononyl phthalate (DINP), which is known to the State of California to cause cancer, and |
| Di-isodecyl phthalate (DIDP), which is known to the State of California to cause birth defects or other reproductive harm. | Di-isodecyl phthalate (DIDP), which is known to the State of California to cause birth defects or other reproductive harm. |
| For more information go to www.p65warnings.ca.gov | For more information go to www.p65warnings.ca.gov |

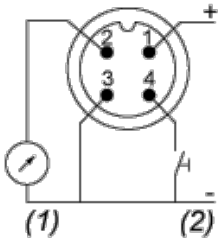
Dimensions



(1) Fluid entry: G 1/4 A female

Connections and Schema

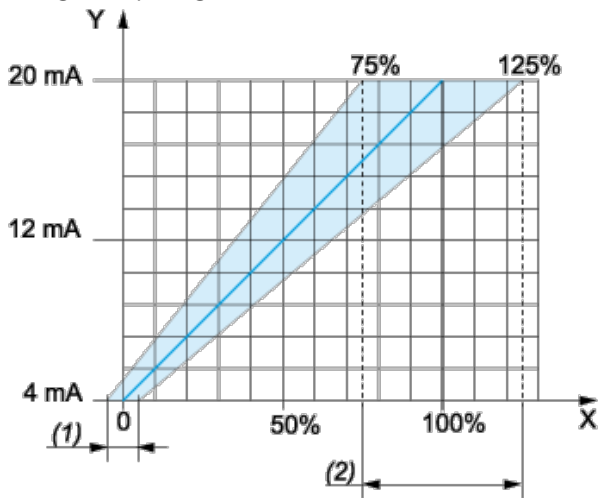
Connector Wiring



- (1) I Out or V Out
- (2) Test Input

Analogue Output Description

Analogue Output Signal



X : Pressure

Y : Analogue output signal

- (1) An offset of +/-5% of nominal pressure can be compensated (with **Cof** Configuration menu. **Cof**: Offset Compensation)
- (2) The analogue curve can be adjusted from -25% to +25% of nominal pressure (with **AEP** Configuration menu. **AEP**: analogue end point).



Компания «ЭлектроПласт» предлагает заключение долгосрочных отношений при поставках импортных электронных компонентов на взаимовыгодных условиях!

Наши преимущества:

- Оперативные поставки широкого спектра электронных компонентов отечественного и импортного производства напрямую от производителей и с крупнейших мировых складов;
- Поставка более 17-ти миллионов наименований электронных компонентов;
- Поставка сложных, дефицитных, либо снятых с производства позиций;
- Оперативные сроки поставки под заказ (от 5 рабочих дней);
- Экспресс доставка в любую точку России;
- Техническая поддержка проекта, помощь в подборе аналогов, поставка прототипов;
- Система менеджмента качества сертифицирована по Международному стандарту ISO 9001;
- Лицензия ФСБ на осуществление работ с использованием сведений, составляющих государственную тайну;
- Поставка специализированных компонентов (Xilinx, Altera, Analog Devices, Intersil, Interpoint, Microsemi, Aeroflex, Peregrine, Syfer, Eurofarad, Texas Instrument, Miteq, Cobham, E2V, MA-COM, Hittite, Mini-Circuits, General Dynamics и др.);

Помимо этого, одним из направлений компании «ЭлектроПласт» является направление «Источники питания». Мы предлагаем Вам помощь Конструкторского отдела:

- Подбор оптимального решения, техническое обоснование при выборе компонента;
- Подбор аналогов;
- Консультации по применению компонента;
- Поставка образцов и прототипов;
- Техническая поддержка проекта;
- Защита от снятия компонента с производства.



Как с нами связаться

Телефон: 8 (812) 309 58 32 (многоканальный)

Факс: 8 (812) 320-02-42

Электронная почта: org@eplast1.ru

Адрес: 198099, г. Санкт-Петербург, ул. Калинина, дом 2, корпус 4, литера А.