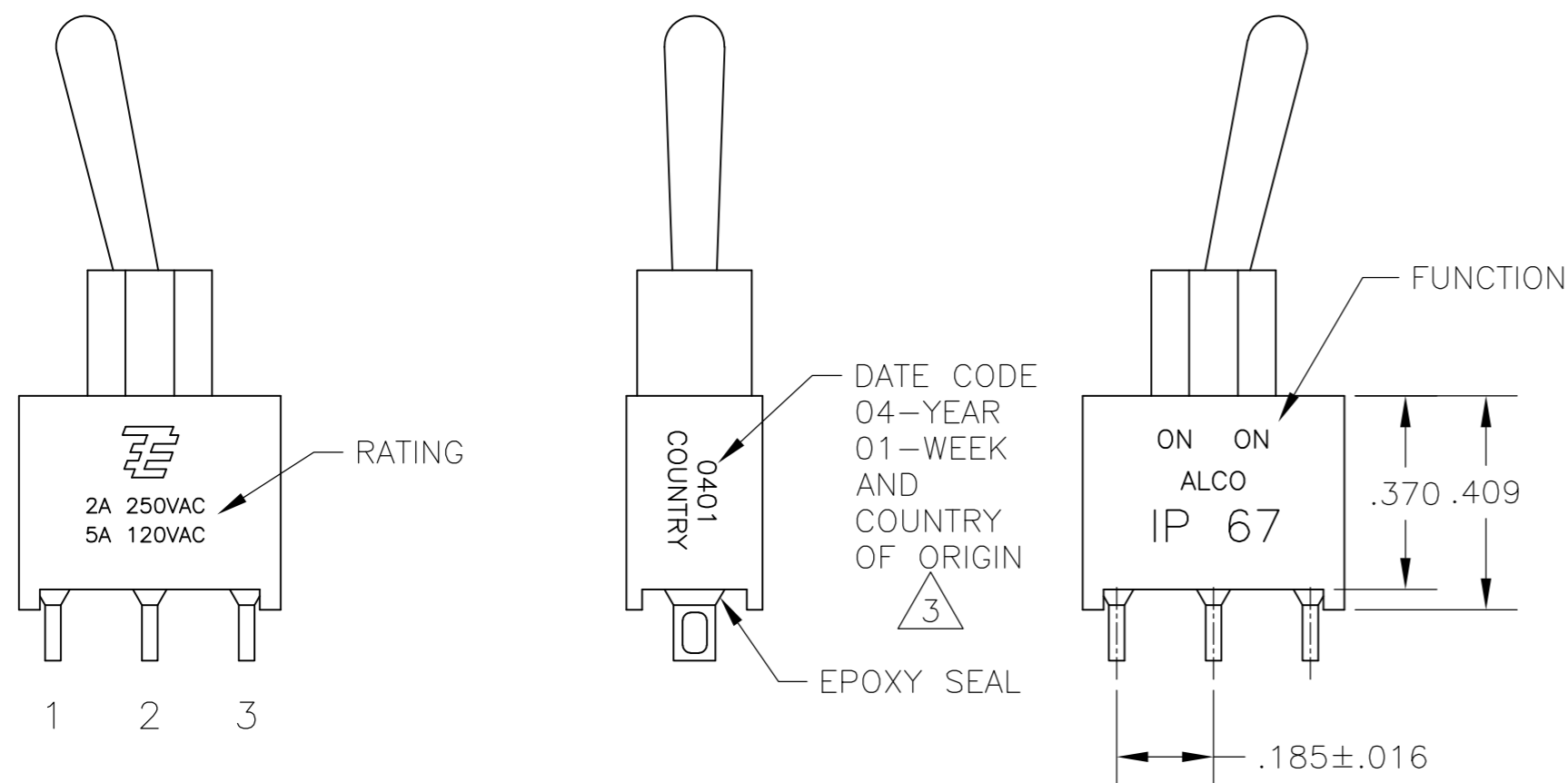
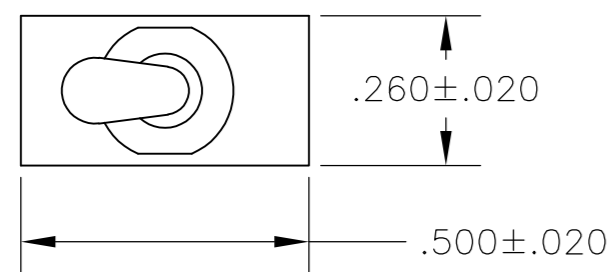


THIS DRAWING IS UNPUBLISHED. RELEASED FOR PUBLICATION  
 © COPYRIGHT - By - ALL RIGHTS RESERVED.

| LOC | DIST | REVISIONS                 |           |     |      |
|-----|------|---------------------------|-----------|-----|------|
| P   | LTR  | DESCRIPTION               | DATE      | DWN | APVD |
| AD  | 00   |                           |           |     |      |
|     | A4   | REVISED PER ECO-14-005988 | 23APR2014 | NK  | RH   |



- 1 ALL MATERIALS AND FINISHES SHALL COMPLY WITH EU DIRECTIVE 2002/95/EC OF 27JAN2003 (ROHS).
- 2 G CONTACT OPTION CAN BE USED FOR SIGNAL OR POWER LEVEL SWITCHING. IF SWITCH IS USED AT LEVELS EXCEEDING .4VA @ 20V AC/DC, SWITCH IS RENDERED FOR POWER SWITCHING ONLY DUE TO ARC REMOVAL OF GOLD PLATING. RATING MARKED ON SWITCH IS 2A 250VAC, 5A 120VAC.
- 3 SWITCHES MEETS REQUIREMENTS OF IP67.
- 4 DATE CODE AND COUNTRY OF ORIGIN MAY APPEAR ON EITHER SIDE OF SWITCH.
- 5 ALL LOGO, RATING, DATE CODE, AND FUNCTION MARKINGS TO BE LASER MARKED.

| FUNCTION            | 1 2 3 | 1 2 3 | 1 2 3 |
|---------------------|-------|-------|-------|
| 01                  | ON    | NONE  | ON    |
| 03                  | ON    | OFF   | ON    |
| 05                  | (ON)  | OFF   | (ON)  |
| 07                  | ON    | OFF   | (ON)  |
| 08                  | ON    | NONE  | (ON)  |
| TERMINALS CONNECTED | 2-3   | ---   | 1-2   |

NONE: NO MECHANICAL POSITION  
 OFF: MECHANICAL POSITION WITH NO MECHANICAL CONNECTION  
 (ON): MOMENTARY ACTION

|                                 |  |
|---------------------------------|--|
| RATING, B CONTACTS              | .4VA MAX @20V MAX. AC OR DC              |
| RATING, G CONTACTS—SEE NOTE 2   | .4VA MAX @20V MAX. AC OR DC OR           |
|                                 | 5A @120 VAC OR 28 VDC (RESISTIVE)        |
| RATING, Q CONTACTS              | 2A @250 VAC (RESISTIVE)                  |
|                                 | 5A @120 VAC OR 28 VDC (RESISTIVE)        |
| ELECTRICAL LIFE                 | 6,000 CYCLES AT RATED LOAD               |
| CONTACT RESISTANCE              | 10 MILLIOHMS MAX INITIAL @ 2-4VDC, 100ma |
| INSULATION RESISTANCE           | 1,000 MEGOHMS MIN                        |
| DIELECTRIC WITHSTANDING VOLTAGE | 1,000 V RMS AT SEA LEVEL                 |
| OPERATING TEMPRATURE            | -30C TO 85C                              |

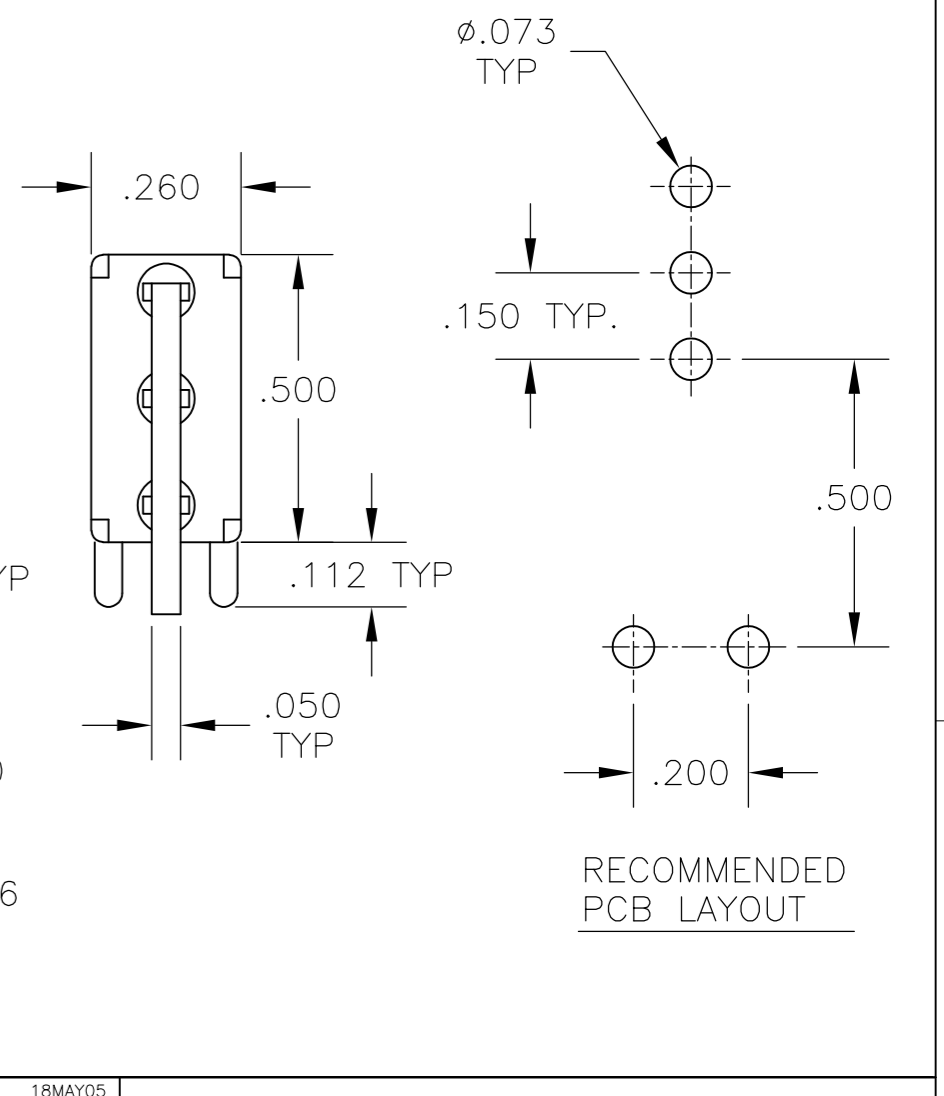
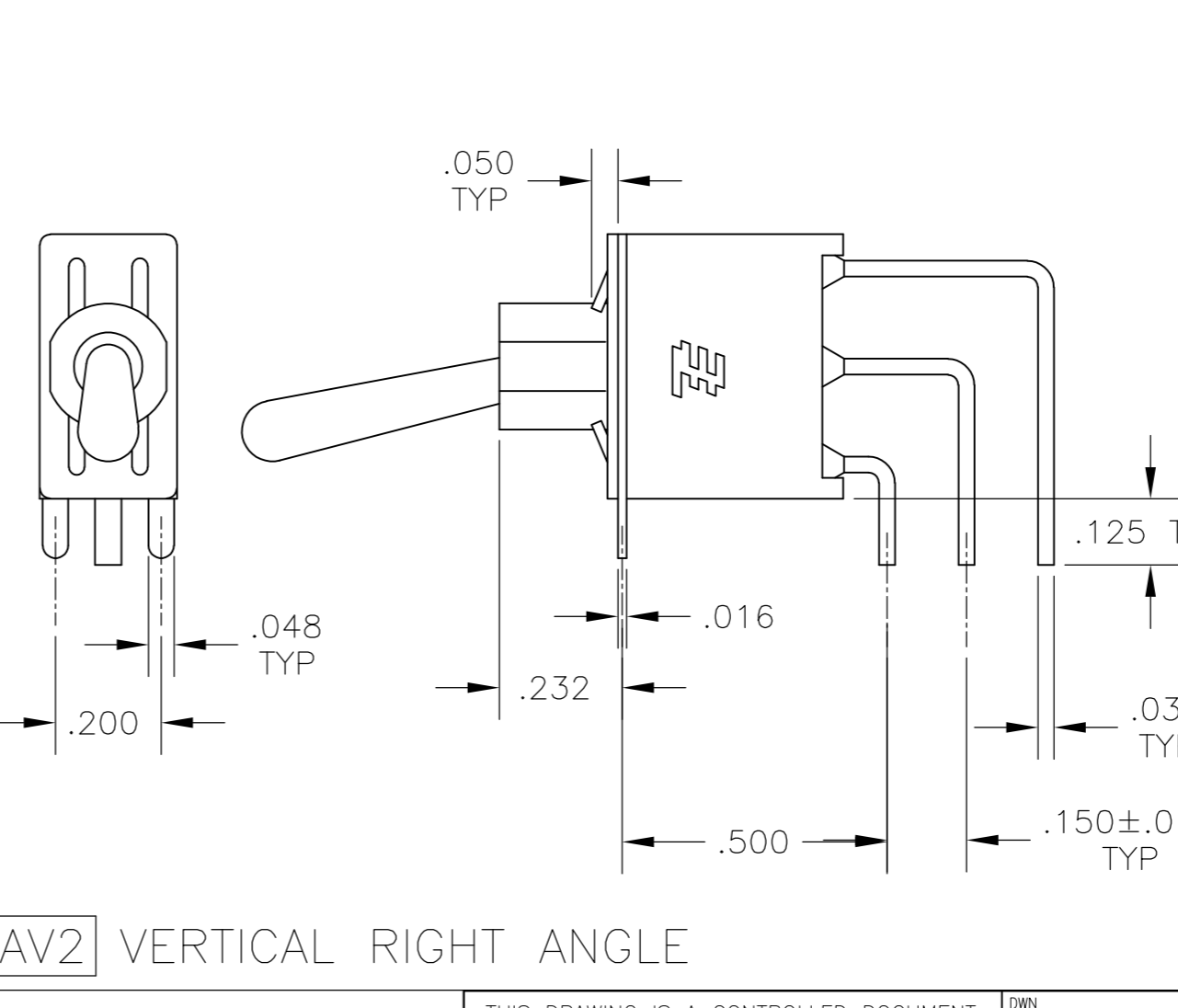
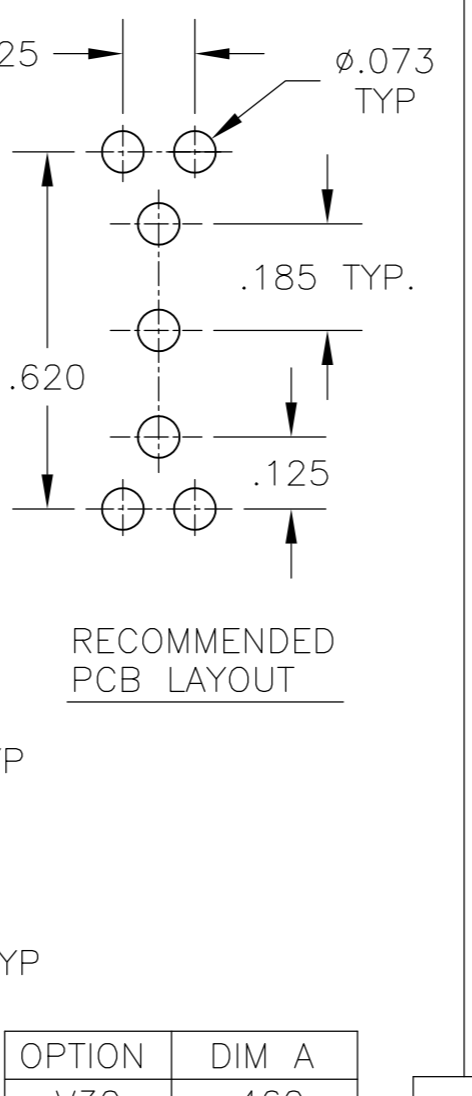
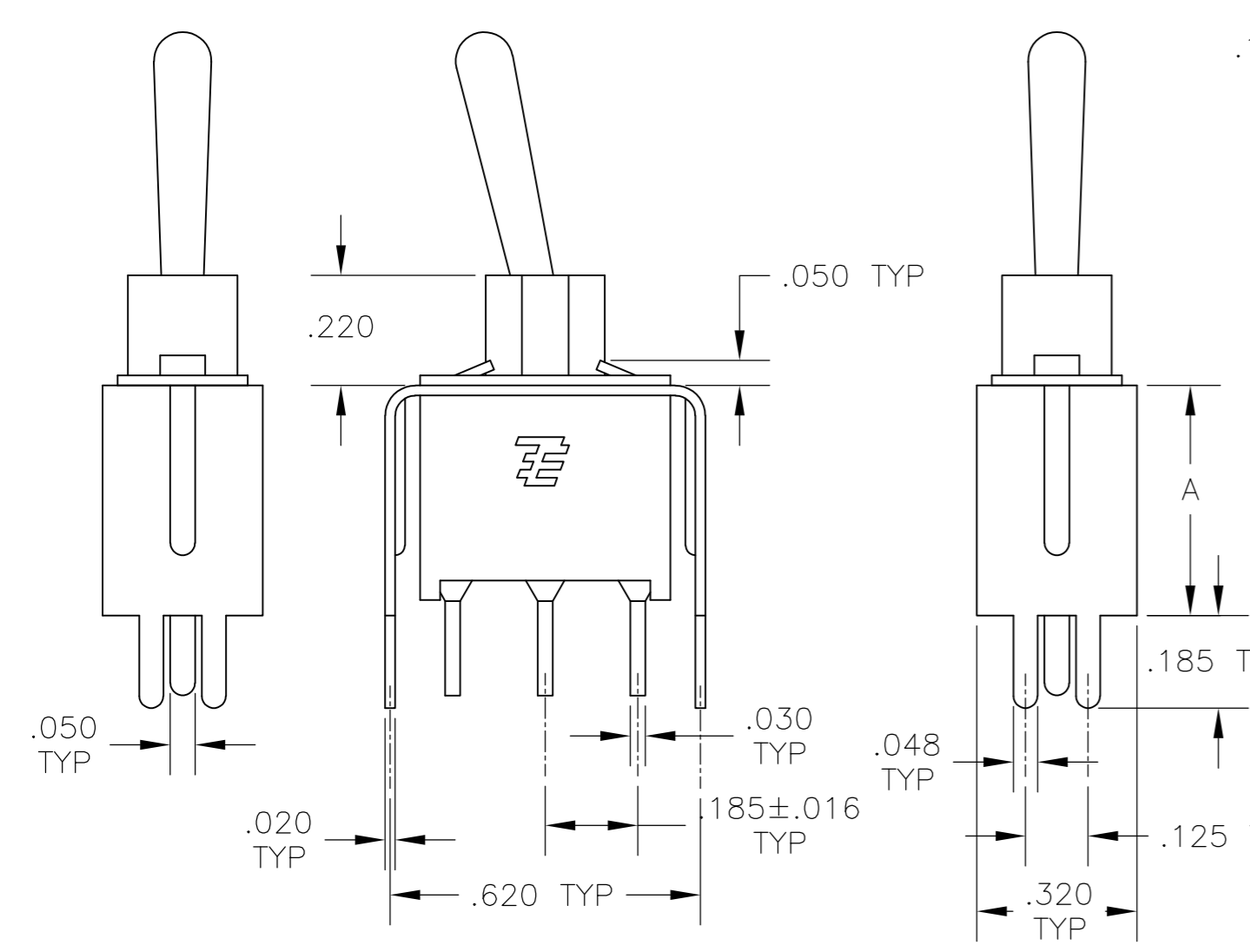
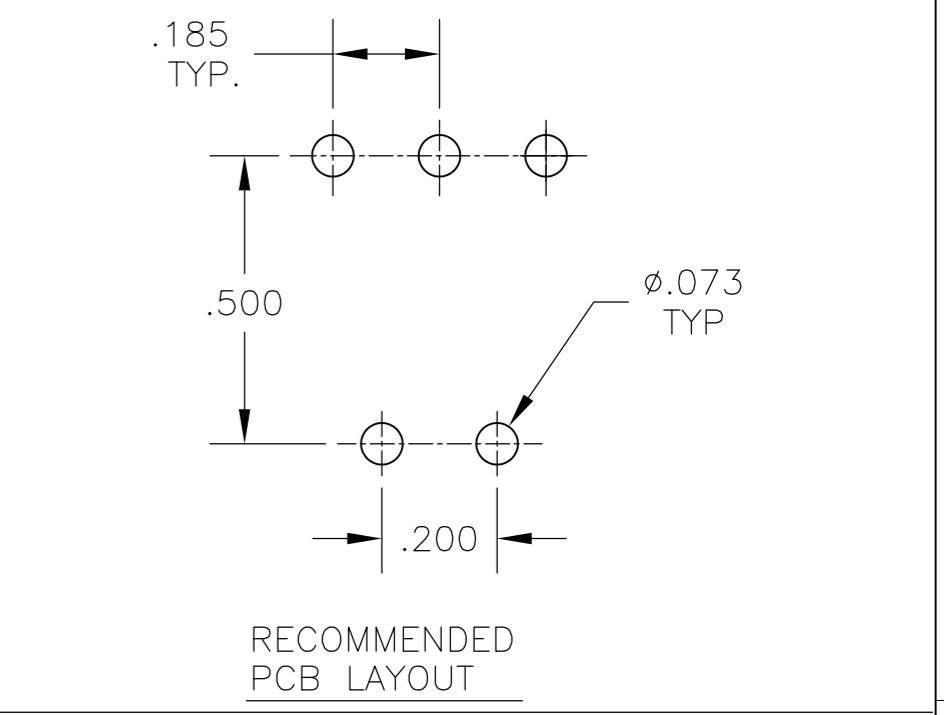
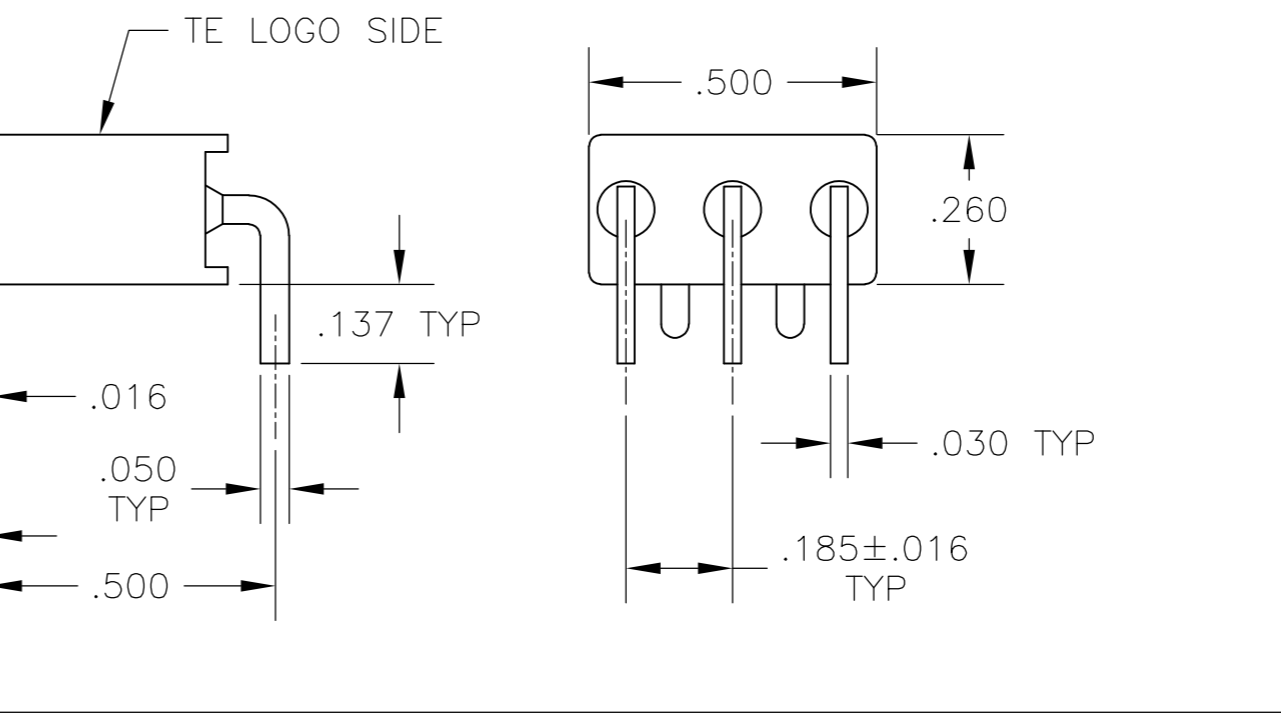
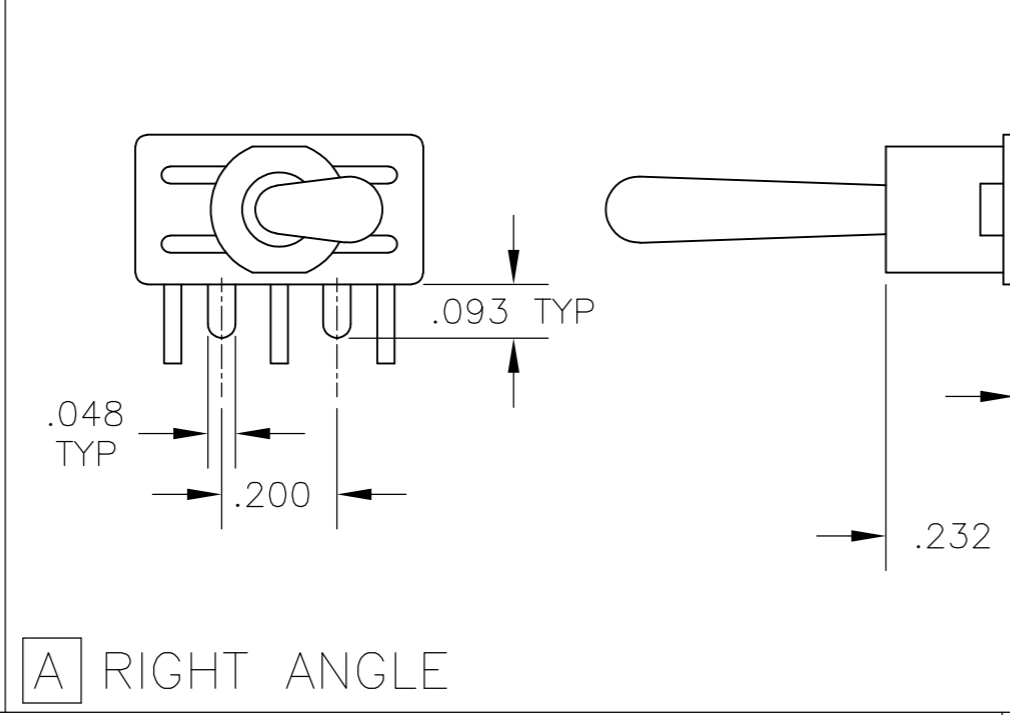
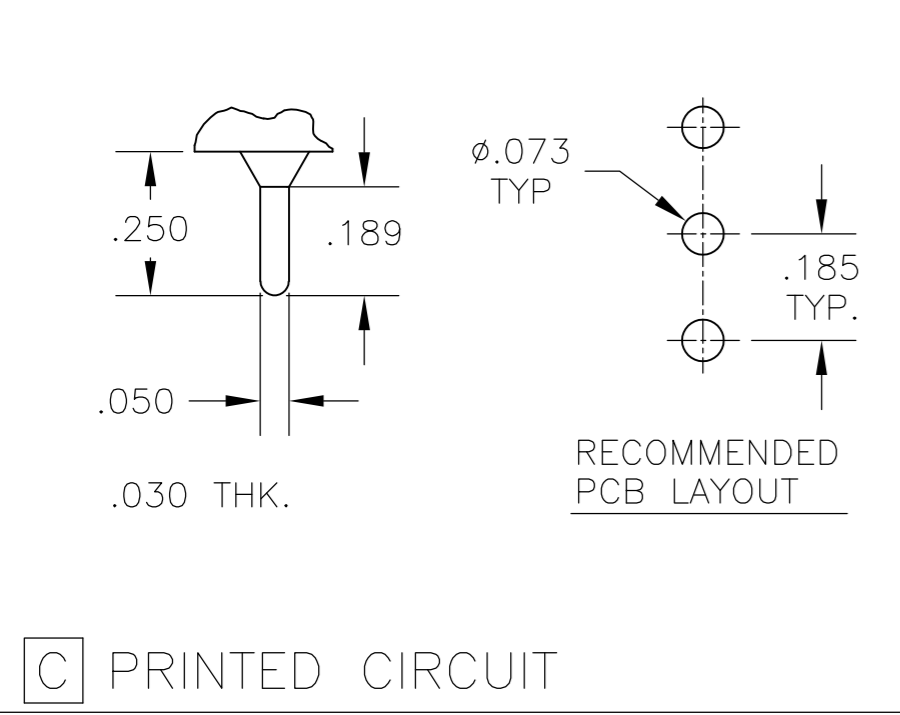
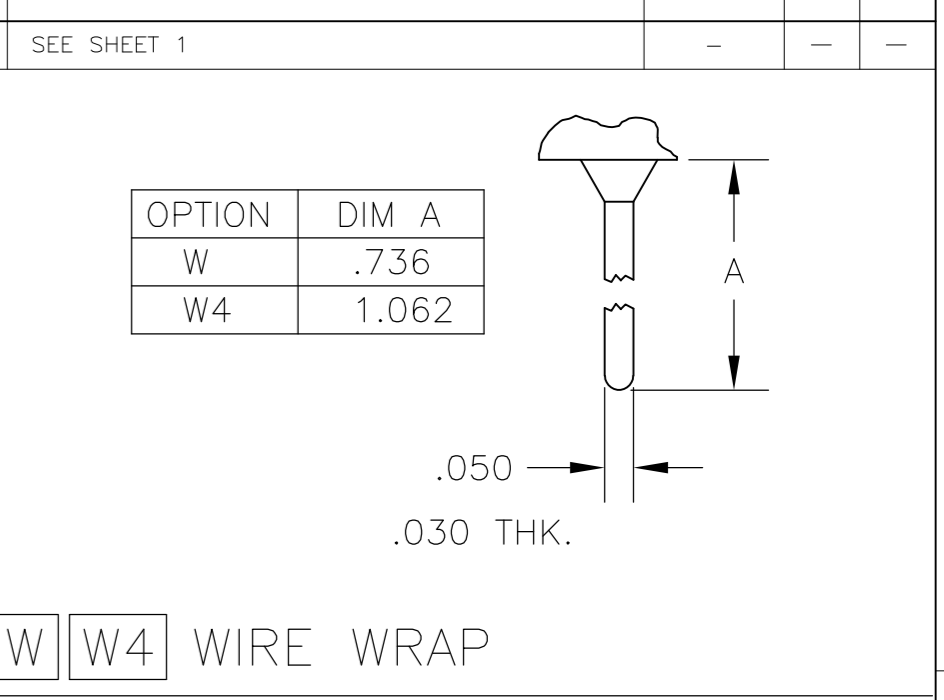
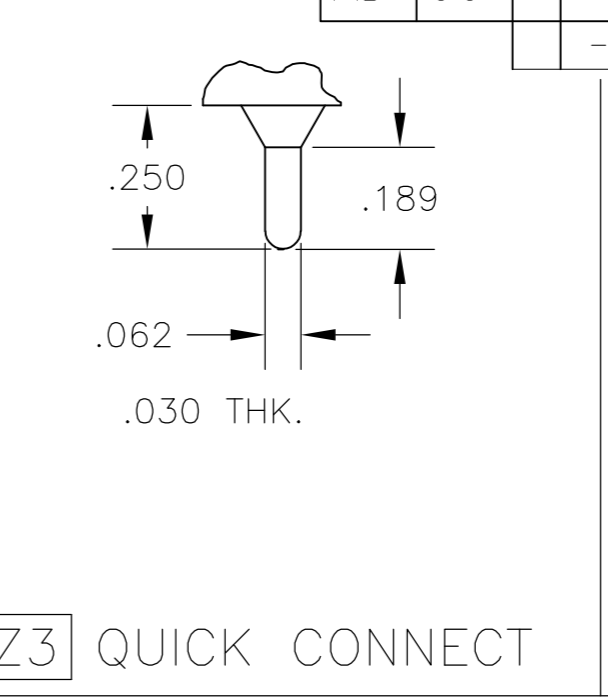
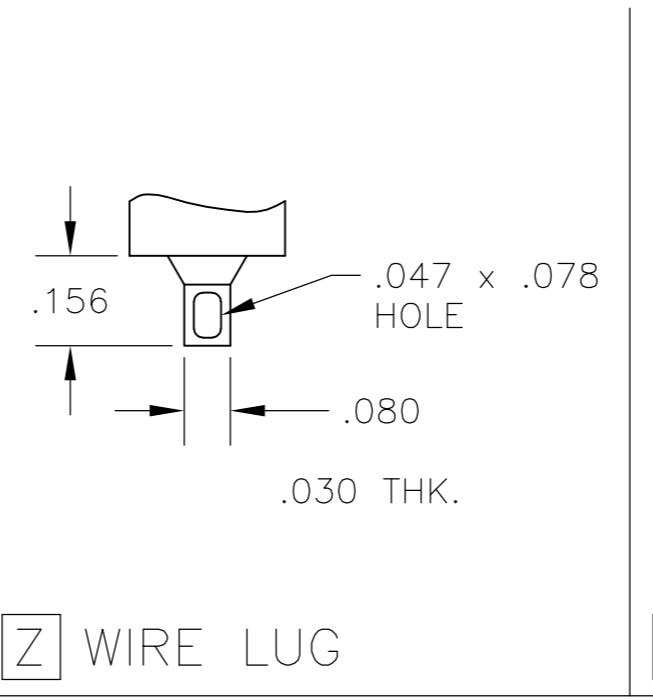
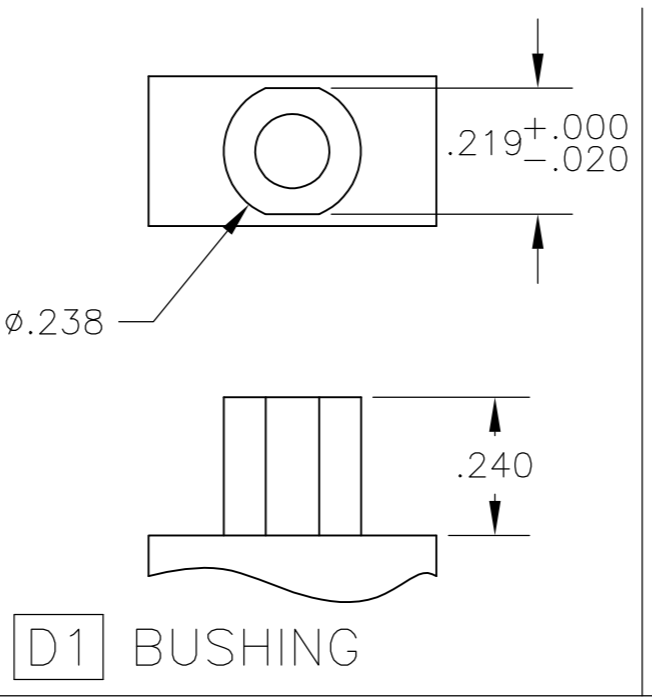
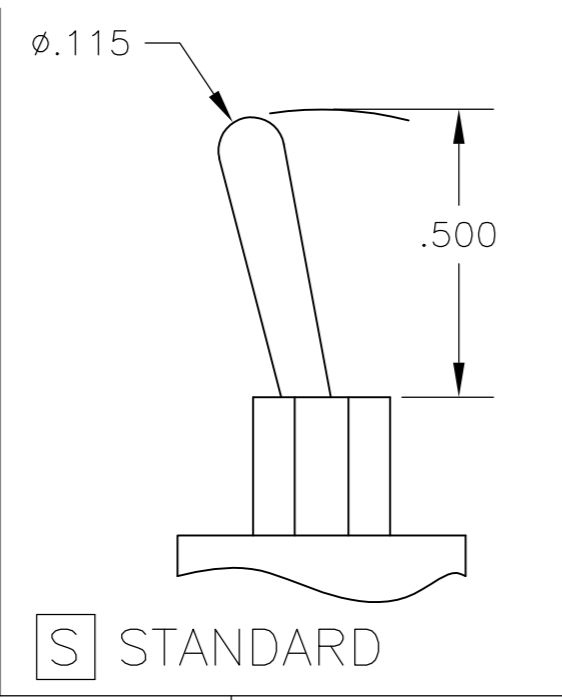
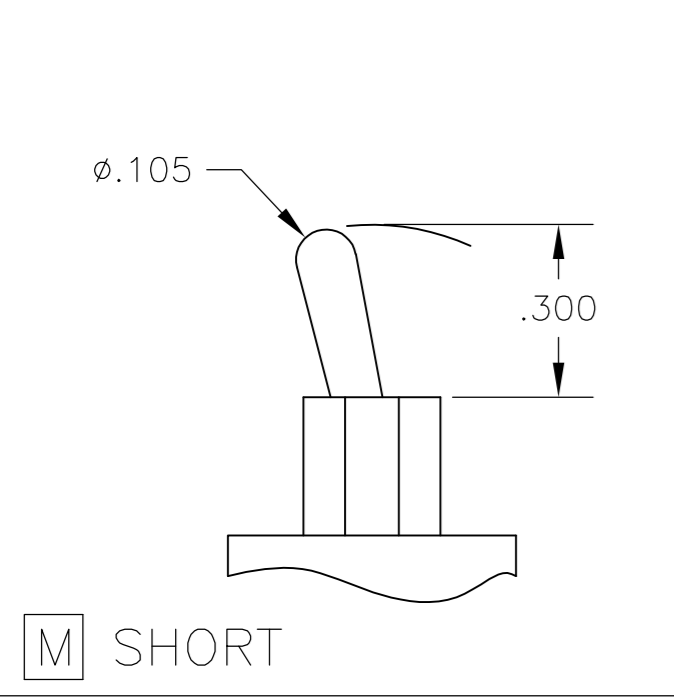
| MODEL | FUNCTION | TOGGLE | BUSHING | TERMINAL | CONTACT | RoHS |
|-------|----------|--------|---------|----------|---------|------|
| AE1   | 01       | M      | D1      | A        | B       | 04   |
|       | 03       | S      |         | AV2      | G       |      |
|       | 05       |        |         | C        | Q       |      |
|       | 07       |        |         | V30      |         |      |
|       | 08       |        |         | V40      |         |      |
|       |          |        |         | W        |         |      |
|       |          |        |         | W4       |         |      |
|       |          |        |         | Z        |         |      |
|       |          | Z3     |         |          |         |      |

EXAMPLE: AE101SD1CQ04

|  |  |                      |  |                 |                      |                 |
|--|--|----------------------|--|-----------------|----------------------|-----------------|
| THIS DRAWING IS A CONTROLLED DOCUMENT. |  | DWN M. ZITTO 18MAY05 | TE Connectivity                                  |                 |                      |                 |
| DIMENSIONS: INCHES                     |  | CHK M. ZITTO         |  |                 |                      |                 |
| TOLERANCES UNLESS OTHERWISE SPECIFIED: |  | APVD M. ZITTO        | NAME GEMINI AE SERIES TOGGLE SWITCH, SINGLE POLE |                 |                      |                 |
| 0 PLC ± -                              |  | PRODUCT SPEC         |  |                 |                      |                 |
| 1 PLC ± -                              |  | APPLICATION SPEC     | SIZE A2  | CAGE CODE 00779 | DRAWING NO C=1825142 | RESTRICTED TO - |
| 2 PLC ± -                              |  | WEIGHT -             | SCALE 3:1  |                 | SHEET 1 of 3         | REV A4          |
| 3 PLC ± .010                           |  | CUSTOMER DRAWING     |  |                 |                      |                 |
| 4 PLC ± -                              |  |                      |  |                 |                      |                 |
| ANGLES ± 2°                            |  |                      |  |                 |                      |                 |
| FINISH -                               |  |                      |  |                 |                      |                 |

THIS DRAWING IS UNPUBLISHED. RELEASED FOR PUBLICATION  
 © COPYRIGHT - By - ALL RIGHTS RESERVED.

| LOC |     | DIST |     | REVISIONS |             |  |  |
|-----|-----|------|-----|-----------|-------------|--|--|
| P   | LTR | DATE | DWN | APVD      | DESCRIPTION |  |  |
| AD  | 00  | -    | -   | -         | SEE SHEET 1 |  |  |



| OPTION | DIM A |
|--------|-------|
| V30    | .460  |
| V40    | .630  |

THIS DRAWING IS A CONTROLLED DOCUMENT.

|                  |          |         |
|------------------|----------|---------|
| DWN              | M. ZITTO | 18MAY05 |
| CHK              | M. ZITTO | -       |
| APVD             | M. ZITTO | -       |
| PRODUCT SPEC     | -        | -       |
| APPLICATION SPEC | -        | -       |
| WEIGHT           | -        | -       |
| CUSTOMER DRAWING | -        | -       |

|       |     |           |        |            |           |               |   |
|-------|-----|-----------|--------|------------|-----------|---------------|---|
| SIZE  | A2  | CAGE CODE | 00779  | DRAWING NO | C=1825142 | RESTRICTED TO | - |
| SCALE | 3:1 | SHEET     | 2 of 3 | REV        | A4        |               |   |

**TE** TE Connectivity  
 GEMINI AE SERIES TOGGLE SWITCH, SINGLE POLE


THIS DRAWING IS UNPUBLISHED. RELEASED FOR PUBLICATION  
 © COPYRIGHT - By - ALL RIGHTS RESERVED.

| LOC | DIST | REVISIONS   |      |     |      |
|-----|------|-------------|------|-----|------|
| P   | LTR  | DESCRIPTION | DATE | DWN | APVD |
| AD  | 00   | SEE SHEET 1 | -    | -   | -    |

| Alco P/N       | TE P/N      |
|----------------|-------------|
| AE101MD1AB04   | 1825142-1   |
| AE101MD1AG04   | 1825142-2   |
| not assigned   | 1825142-3   |
| AE101MD1AQ04   | 1825142-4   |
| AE101MD1AV2B04 | 1825142-5   |
| AE101MD1AV2Q04 | 1825142-6   |
| not assigned   | 1825142-7   |
| AE101MD1CB04   | 1825142-8   |
| AE101MD1CG04   | 1825142-9   |
| AE101MD1CQ04   | 1-1825142-0 |
| AE101MD1V30B04 | 1-1825142-1 |
| AE101MD1V30Q04 | 1-1825142-2 |
| AE101MD1W4B04  | 1-1825142-3 |
| AE101MD1W4Q04  | 1-1825142-4 |
| AE101SD1AB04   | 1-1825142-5 |
| AE101SD1AQ04   | 1-1825142-6 |
| not assigned   | 1-1825142-7 |
| AE101SD1AV2B04 | 1-1825142-8 |
| AE101SD1AV2Q04 | 1-1825142-9 |
| AE101SD1CB04   | 2-1825142-0 |
| AE101SD1CQ04   | 2-1825142-1 |
| AE101SD1V30B04 | 2-1825142-2 |
| AE101SD1V30Q04 | 2-1825142-3 |
| AE103MD1AB04   | 2-1825142-4 |
| AE103MD1AV2B04 | 2-1825142-5 |
| AE103MD1CB04   | 2-1825142-6 |
| NOT ASSIGNED   | 2-1825142-7 |
| AE103MD1W4B04  | 2-1825142-8 |
| AE103SD1AV2B04 | 2-1825142-9 |
| AE103SD1CB04   | 3-1825142-0 |
| AE103SD1CQ04   | 3-1825142-1 |
| not assigned   | 3-1825142-2 |
| AE103SD1V30B04 | 3-1825142-3 |
| AE103SD1W4B04  | 3-1825142-4 |
| AE105MD1AB04   | 3-1825142-5 |
| AE105MD1AG04   | 3-1825142-6 |
| AE105MD1AV2B04 | 3-1825142-7 |
| AE105MD1W4B04  | 3-1825142-8 |
| AE105SD1CB04   | 3-1825142-9 |
| AE105SD1V30B04 | 4-1825142-0 |

| Alco P/N       | TE P/N      |
|----------------|-------------|
| AE105SD1W4B04  | 4-1825142-1 |
| AE107MD1AV2B04 | 4-1825142-2 |
| AE107SD1AB04   | 4-1825142-3 |
| AE107SD1AG04   | 4-1825142-4 |
| AE107SD1CB04   | 4-1825142-5 |
| AE107SD1V30B04 | 4-1825142-6 |
| AE108MD1AQ04   | 4-1825142-7 |
| AE108MD1AV2B04 | 4-1825142-8 |
| AE108MD1AV2Q04 | 4-1825142-9 |
| AE108SD1AB04   | 5-1825142-0 |
| AE108SD1AQ04   | 5-1825142-1 |
| AE108SD1CQ04   | 5-1825142-2 |
| not assigned   | 5-1825142-3 |
| AE108SD1V30B04 | 5-1825142-4 |
| AE108SD1W4B04  | 5-1825142-5 |

| MATERIALS CHART          |                           |                        |
|--------------------------|---------------------------|------------------------|
| COMPONENT NAME           | BASE MATERIAL             | FINISH                 |
| CASE & BUSHING           | NYLON, RED, UL94 V-0      |                        |
| O-RING                   | PVC, BLACK                |                        |
| B TERMINALS & CONTACTS   | COPPER                    | GOLD OVER NICKEL       |
| G TERMINALS & CONTACTS   | COPPER                    | GOLD OVER SILVER       |
| Q TERMINALS & CONTACTS   | COPPER                    | GOLD FLASH OVER SILVER |
| ACTUATOR                 | PHENOLIC, BLACK, UL94 V-1 |                        |
| LEVER                    | BRASS                     | CHROME                 |
| SPRING                   | MUSIC WIRE                |                        |
| PIVOT PIN                | STEEL                     | NICKEL                 |
| LOCK WASHER              | STAINLESS STEEL           |                        |
| LOCKING RING             | STAINLESS STEEL           |                        |
| NUTS                     | BRASS                     | NICKEL                 |
| TERMINAL SEAL            | EPOXY, UL94V-0            |                        |
| MARKING                  | INK, BLACK                |                        |
| SUPPORT BRACKET          | BRASS OR STEEL            | TIN                    |
| SUPPORT BRACKET RETAINER | STAINLESS STEEL           |                        |

|   |  |                  |         |   |                 |
|---|--|------------------|---------|---|-----------------|
| THIS DRAWING IS A CONTROLLED DOCUMENT.  |  | DWN<br>M. ZITTO  | 18MAY05 |  TE Connectivity |                 |
| DIMENSIONS:<br>INCHES   |  | CHK<br>M. ZITTO  | -       |   |                 |
| TOLERANCES UNLESS OTHERWISE SPECIFIED:  |  | APVD<br>M. ZITTO | -       | NAME<br>GEMINI AE SERIES TOGGLE SWITCH,<br>SINGLE POLE  |                 |
| 0 PLC ± -<br>1 PLC ± -<br>2 PLC ± -<br>3 PLC ± .010<br>4 PLC ± -<br>ANGLES ± 2° |  | PRODUCT SPEC     | -       | DRAWING NO<br>A2 00779 C=1825142  |                 |
| MATERIAL  |  | FINISH           | -       | RESTRICTED TO   | -               |
| -   |  | -                | -       | SCALE<br>3:1  | SHEET<br>3 of 3 |
| CUSTOMER DRAWING  |  |                  |         | REV<br>A4   |                 |



Компания «ЭлектроПласт» предлагает заключение долгосрочных отношений при поставках импортных электронных компонентов на взаимовыгодных условиях!

Наши преимущества:

- Оперативные поставки широкого спектра электронных компонентов отечественного и импортного производства напрямую от производителей и с крупнейших мировых складов;
- Поставка более 17-ти миллионов наименований электронных компонентов;
- Поставка сложных, дефицитных, либо снятых с производства позиций;
- Оперативные сроки поставки под заказ (от 5 рабочих дней);
- Экспресс доставка в любую точку России;
- Техническая поддержка проекта, помощь в подборе аналогов, поставка прототипов;
- Система менеджмента качества сертифицирована по Международному стандарту ISO 9001;
- Лицензия ФСБ на осуществление работ с использованием сведений, составляющих государственную тайну;
- Поставка специализированных компонентов (Xilinx, Altera, Analog Devices, Intersil, Interpoint, Microsemi, Aeroflex, Peregrine, Syfer, Eurofarad, Texas Instrument, Miteq, Cobham, E2V, MA-COM, Hittite, Mini-Circuits, General Dynamics и др.);

Помимо этого, одним из направлений компании «ЭлектроПласт» является направление «Источники питания». Мы предлагаем Вам помощь Конструкторского отдела:

- Подбор оптимального решения, техническое обоснование при выборе компонента;
- Подбор аналогов;
- Консультации по применению компонента;
- Поставка образцов и прототипов;
- Техническая поддержка проекта;
- Защита от снятия компонента с производства.



#### Как с нами связаться

**Телефон:** 8 (812) 309 58 32 (многоканальный)

**Факс:** 8 (812) 320-02-42

**Электронная почта:** [org@eplast1.ru](mailto:org@eplast1.ru)

**Адрес:** 198099, г. Санкт-Петербург, ул. Калинина, дом 2, корпус 4, литера А.