



Main

Range of product	Altistart 48
Product or component type	Soft starter
Product destination	Asynchronous motors
Product specific application	Heavy duty industry and pumps
Device short name	ATS48
[Us] rated supply voltage	208...690 V (- 15...10 %)
Motor power kW	15 kW at 400 V for severe applications 15 kW at 440 V for severe applications 22 kW at 500 V for standard applications 22 kW at 525 V for standard applications 22 kW at 660 V for severe applications 22 kW at 690 V for severe applications 30 kW at 660 V for standard applications 30 kW at 690 V for standard applications 9 kW at 230 V for standard applications 7.5 kW at 230 V for severe applications 18.5 kW at 400 V for standard applications 18.5 kW at 440 V for standard applications 18.5 kW at 500 V for severe applications 18.5 kW at 525 V for severe applications
Motor power hp	10 hp at 208 V for standard applications 10 hp at 230 V for severe applications 20 hp at 460 V for severe applications 25 hp at 460 V for standard applications 25 hp at 575 V for severe applications 30 hp at 575 V for standard applications 7.5 hp at 208 V for severe applications
Power dissipation in W	For standard applications 116 W For standard applications 99 W
Utilisation category	AC-53A
Type of start	Start with torque control (current limited to 5 In)
IcL starter rating	38 A (connection in the motor supply line) for severe applications 38 A (connection in the motor supply line) for standard applications
IP degree of protection	IP20

Complementary

Assembly style	With heat sink
Function available	External bypass (optional)
Supply voltage limits	177...759 V
Supply frequency	50...60 Hz (- 5...5 %)
Network frequency	47.5...63 Hz
Device connection	In the motor supply line
Factory setting current	34 A
[Uc] control circuit voltage	110 - 15 % to 230 + 10 %, 50/60 Hz
Control circuit consumption	30 W
Discrete output number	2
Discrete output type	(LO1) logic output 0 V common configurable (LO2) logic output 0 V common configurable (R1) relay outputs fault relay NO (R2) relay outputs end of starting relay NO (R3) relay outputs motor powered NO
Output absolute accuracy precision	+/- 5 %
Minimum switching current	Relay outputs 10 mA at 6 V DC
Maximum switching current	Logic output 0.2 A at 30 V DC Relay outputs 1.8 A at 230 V AC inductive load, cos phi = 0.5, L/R = 20 ms

The information provided in this documentation contains general descriptions and/or technical characteristics of the products contained herein. This documentation is not intended as a substitute for and is not to be used for determining suitability or reliability of these products for specific user applications. It is the duty of any such user or integrator to perform the appropriate and complete risk analysis, evaluation and testing of the products with respect to the relevant specific application or use thereof. Neither Schneider Electric Industries SAS nor any of its affiliates or subsidiaries shall be responsible or liable for misuse of the information contained herein.

Relay outputs 1.8 A at 30 V DC inductive load, cos phi = 0.5, L/R = 20 ms

Discrete input number	5
Discrete input type	PTC, 750 Ohm at 77 °F (25 °C) (Stop, Run, LI3, LI4) logic, <= 8 mA 4300 Ohm
Discrete input voltage	24 V (<= 30 V)
Discrete input logic	Positive logic (Stop, Run, LI3, LI4) state 0 < 5 V and <= 2 mA, state 1 > 11 V and >= 5 mA
Supply inrush current	Adjustable 0.4...1.3 Icl
Analogue output type	(AO) current output 0-20 mA or 4-20 mA <= 500 Ohm
Communication port protocol	Modbus
Connector type	1 RJ45
Communication data link	Serial
Physical interface	RS485 multidrop
Transmission rate	4800, 9600 or 19200 bps
Installed device	31
Protection type	Phase failure (line) Thermal protection (motor) Thermal protection (starter)
Marking	CE
Type of cooling	Forced convection
Operating position	Vertical +/- 10 degree
Height	10.83 in (275 mm)
Width	6.3 in (160 mm)
Depth	7.48 in (190 mm)
Product weight	10.8 lb(US) (4.9 kg)
Power range	7...11 kW at 200...240 V 3 phases 15...25 kW at 380...440 V 3 phases 15...25 kW at 480...500 V 3 phases
Motor starter type	Soft starter

Environment

electromagnetic compatibility	Conducted and radiated emissions conforming to IEC 60947-4-2 level A Conducted and radiated emissions conforming to IEC 60947-4-2 level B Damped oscillating waves conforming to IEC 61000-4-12 level 3 Electrostatic discharge conforming to IEC 61000-4-2 level 3 Immunity to electrical transients conforming to IEC 61000-4-4 level 4 Immunity to radiated radio-electrical interference conforming to IEC 61000-4-3 level 3 Voltage/current impulse conforming to IEC 61000-4-5 level 3
standards	EN/IEC 60947-4-2
product certifications	CCC CSA C-Tick DNV GOST NOM 117 SEPRO TCF UL
vibration resistance	1 gn (f = 13...200 Hz) conforming to EN/IEC 60068-2-6 1.5 mm (f = 2...13 Hz) conforming to EN/IEC 60068-2-6
shock resistance	15 gn 11 ms conforming to EN/IEC 60068-2-27
noise level	52 dB
pollution degree	Level 3 conforming to IEC 60664-1
relative humidity	0...95 % without condensation or dripping water conforming to EN/IEC 60068-2-3
ambient air temperature for operation	14...104 °F (-10...40 °C) without derating 14...104 °F (-10...40 °C) without derating 40...60 °C with current derating of 2 % per °C
ambient air temperature for storage	-13...158 °F (-25...70 °C)
operating altitude	<= 3280.84 ft (1000 m) without derating > 3280.84...6561.68 ft (> 1000...2000 m) with current derating of 2.2 % per additional 100 m

Offer Sustainability

WARNING: This product can expose you to chemicals including:

WARNING: This product can expose you to chemicals including:

Lead and lead compounds, which is known to the State of California to cause cancer and birth defects or other reproductive harm.

Lead and lead compounds, which is known to the State of California to cause cancer and birth defects or other reproductive harm.

Bisphenol A (BPA), which is known to the State of California to cause birth defects or other reproductive harm.

Bisphenol A (BPA), which is known to the State of California to cause birth defects or other reproductive harm.

For more information go to www.p65warnings.ca.gov

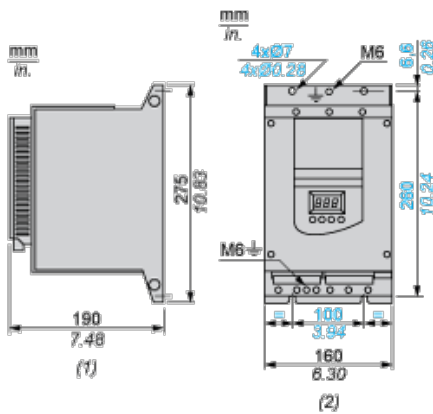
For more information go to www.p65warnings.ca.gov

Contractual warranty

Warranty period

18 months

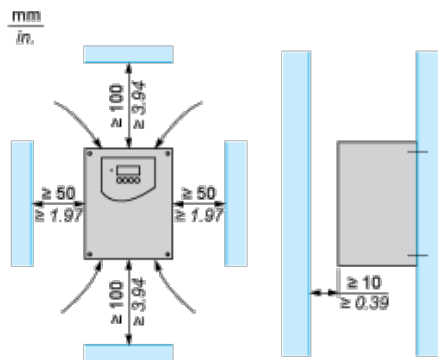
Dimensions



(1) Right View

(2) Front View

Clearance





Компания «ЭлектроПласт» предлагает заключение долгосрочных отношений при поставках импортных электронных компонентов на взаимовыгодных условиях!

Наши преимущества:

- Оперативные поставки широкого спектра электронных компонентов отечественного и импортного производства напрямую от производителей и с крупнейших мировых складов;
- Поставка более 17-ти миллионов наименований электронных компонентов;
- Поставка сложных, дефицитных, либо снятых с производства позиций;
- Оперативные сроки поставки под заказ (от 5 рабочих дней);
- Экспресс доставка в любую точку России;
- Техническая поддержка проекта, помощь в подборе аналогов, поставка прототипов;
- Система менеджмента качества сертифицирована по Международному стандарту ISO 9001;
- Лицензия ФСБ на осуществление работ с использованием сведений, составляющих государственную тайну;
- Поставка специализированных компонентов (Xilinx, Altera, Analog Devices, Intersil, Interpoint, Microsemi, Aeroflex, Peregrine, Syfer, Eurofarad, Texas Instrument, Miteq, Cobham, E2V, MA-COM, Hittite, Mini-Circuits, General Dynamics и др.);

Помимо этого, одним из направлений компании «ЭлектроПласт» является направление «Источники питания». Мы предлагаем Вам помощь Конструкторского отдела:

- Подбор оптимального решения, техническое обоснование при выборе компонента;
- Подбор аналогов;
- Консультации по применению компонента;
- Поставка образцов и прототипов;
- Техническая поддержка проекта;
- Защита от снятия компонента с производства.



Как с нами связаться

Телефон: 8 (812) 309 58 32 (многоканальный)

Факс: 8 (812) 320-02-42

Электронная почта: org@eplast1.ru

Адрес: 198099, г. Санкт-Петербург, ул. Калинина, дом 2, корпус 4, литера А.