

## SEALED TERMINAL AND WIRE LEAD OPTIONS OPTION -E AND -EW

### FEATURES

- 1/4, 1/2, and 1 Amp
- Limit, Overtravel, or Panel Seal
- Butt or Wiping Contact
- Normally Open or Normally Closed
- Momentary or Push/Pull
- Series 23, 30, 39 and 46



Option -E  
Epoxy-Sealed  
Terminals

Option -EW,  
Potted Base & 6"  
Wire Leads



### SPECIFICATIONS

#### Rating Criteria

**Make and Break Current Rating:** See page for standard part number

**Contact Resistance:** 25 milliohms maximum on a new switch. Less than 4 milliohms per inch of wire for wire lead option styles.

**Insulation Resistance:** 1,000 megohms minimum between mutually insulated parts

**Voltage Breakdown:** 1,000 Vac minimum between mutually insulated parts

#### Materials and Finishes

**Potting Sleeve (Series 39):** Thermoset Plastic

**Wire Leads:** #26AWG, (.99mm diameter) insulated Teflon, Copper stranded wire, per MIL-W-16878, Type E. Ends are stripped 0.250" (6.35) and solder dipped. For other specifications, see Page References.

Standard Part Number Red Button	Standard Part Number Black Button	Choices of Suffix	Length Behind Panel In inches (and millimeters)	
			Standard Switch & Terminals	-EW Style Body
23-1	23-4	-E	0.665 (16,89)	—
30-1	30-3	-E, -EW	0.592 (15,04)	0.645 (16,38)
30-15	30-37	-E, -EW	0.679 (17,25)	0.728 (18,49)
30-17 RED	30-17 BLK	-E, -EW	0.958 (24,33)	1.007 (25,58)
30-16 RED	30-16 BLK	-E, -EW	0.958 (24,33)	1.007 (25,58)
30-251 RED	30-251 BLK	-E, -EW	0.632 (16,05)	0.685 (17,40)
30-252 RED	30-252 BLK	-E, -EW	0.645 (16,38)	0.700 (17,78)
30-32 RED	30-32 BLK	-E, -EW	0.867 (22,02)	0.896 (22,76)
30-6	30-2	-E, -EW	0.605 (15,37)	0.640 (16,26)
30-601 RED	30-601 BLK	-E, -EW	0.592 (15,04)	0.645 (16,38)
39-1*	39-3*	-EW**	0.315 (8,00)	0.440 (11,18)
39-12*	39-2	-E, -EW	0.490 (12,45)	0.575 (14,61)
39-101	39-24*	-EW**	0.455 (11,56)	0.575 (14,61)
39-351 RED	39-351 BLK	-EW**	0.650 (16,51)	0.775 (19,69)
39-352 RED*	39-352 BLK*	-E, -EW	0.350 (8,89)	0.450 (11,43)
39-601 RED	39-601 BLK	-E, -EW	0.529 (13,44)	0.630 (16,00)
39-701***	—	-EW*	0.315 (8,00)	0.440 (11,18)
39-702***	—	-EW**	0.800 (20,32)	0.925 (23,50)
46-101 RED	46-101 BLK	-E, -EW	0.510 (12,95)	0.750 (19,05)
46-102 RED	46-102 BLK	-E, -EW	0.890 (22,61)	0.957 (24,31)
46-110 RED	46-110 BLK	-E, -EW	0.890 (22,61)	0.957 (24,31)
46-111 RED	46-111 BLK	-E, -EW	0.890 (22,61)	0.957 (24,31)
46-150 RED	46-150 BLK	-E, -EW	0.890 (22,61)	0.957 (24,31)
46-151 RED	46-151 BLK	-E, -EW	0.957 (24,31)	1.024 (26,01)
46-200 RED	46-200 BLK	-E	0.957 (24,31)	1.024 (26,01)
46-201 RED	46-201 BLK	-E	0.921 (23,39)	—
46-270 RED	46-270 BLK	-E	0.921 (23,39)	—
46-271 RED	46-271 BLK	-E	0.957 (24,31)	—
		-E	0.957 (24,31)	—

\*Epoxy potting sleeve enlarges the diameter of the -EW style to 0.300 (7,62).

\*\*Sealed terminal (-E) option is not necessary; terminals have sealed construction.

\*\*\*Natural Color Button

†Adjustable from 1.214 (30,84) to 1.334 (33,88) dependent on button height, see switch pages.

**ORDERING INFORMATION**

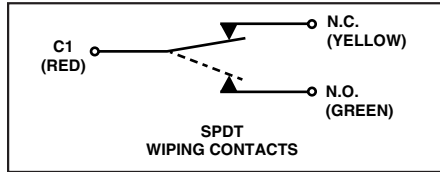
Use the Selector Charts at the beginning of the section to select a series. Use the pages listed there or referenced here to select a switch.

To order epoxy sealed terminals, add the suffix -E to the selected part number as allowed in the chart. **Example:** 30-1-E.

To order the epoxy-potted version with 6-inch wire leads, use the suffix -EW as allowed in the chart. **Example:** 39-1-EW

**Available From Your Local Grayhill Distributors.** For prices and discounts, contact a local Sales Office, an authorized local Distributor or Grayhill.

**CIRCUITRY: Series 46**



Standard Part Number Without Options Choice of Button Color (see switch pages)	Standard Part Number Choice of Button Color (see switch pages)	Choices of Options	Length Behind Panel In inches (and millimeters)	
			Standard Switch & Terminals	-EW Style Body
—	30-001-A-XX	-E, -EW	1.119 (28,42)	1.172 (29,77)
—	30-002-A-XX	-E, -EW	1.132 (28,75)	1.167 (29,64)
—	30-015-A-XX	-E, -EW	1.204 (30,58)	1.253 (31,83)
—	30-017-A-XX	-E, -EW	Adjustable†	Adjustable†
30-01-01-500-XX	30-1-1-50-XX	-E, -EW	1.100 (27,94)	1.153 (29,29)
30-01-04-500-XX	30-1-4-50-XX	-E, -EW	1.257 (31,93)	1.310 (33,27)
30-05-01-502-XX	30-5-1-52-XX	-E, -EW	0.930 (23,62)	0.983 (24,97)
30-05-04-502-XX	30-5-4-52-XX	-E, -EW	1.130 (28,70)	1.183 (30,05)
—	30-601-A-XX	-E, -EW	1.119 (28,42)	1.172 (29,77)
46-01-05-500-XX	46-1-5-50-XX	-E, -EW	1.361 (34,57)	1.428 (36,27)
46-01-07-500-XX	46-1-7-50-XX	-E, -EW	1.451 (36,86)	1.518 (38,56)
46-01-08-500-XX	46-1-8-50-XX	-E	1.381 (35,08)	—
46-01-09-500-XX	46-1-9-50-XX	-E	1.381 (35,08)	—
46-05-05-502-XX	46-5-5-52-XX	-E, -EW	1.179 (29,95)	1.246 (31,65)
46-05-07-502-XX	46-5-7-52-XX	-E, -EW	1.465 (37,21)	1.532 (38,91)
46-05-08-502-XX	46-5-8-52-XX	-E	1.188 (30,18)	—
46-05-09-502-XX	46-5-9-52-XX	-E	1.317 (33,45)	—
—	46-102-A-XX	-E, -EW	1.417 (35,99)	1.484 (37,69)
—	46-111-A-XX	-E, -EW	1.417 (35,99)	1.484 (37,69)
—	46-200-A-XX	-E	1.448 (36,78)	—
—	46-201-A-XX	-E	1.448 (36,78)	—

\*Epoxy potting sleeve enlarges the diameter of the -EW style to 0.300 (7,62).  
 \*\*Sealed terminal (-E) option is not necessary; terminals have sealed construction.  
 \*\*\*Natural Color Button  
 †Adjustable from 1.214 (30,84) to 1.334 (33,88) dependent on button height, see switch pages.

Pushbutton Switches

## ACCESSORIES

For Pushbutton Switches



Decorative Mounting Nuts



Button Caps

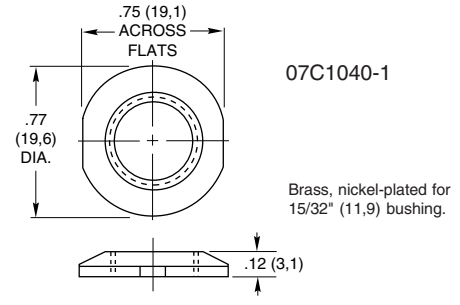
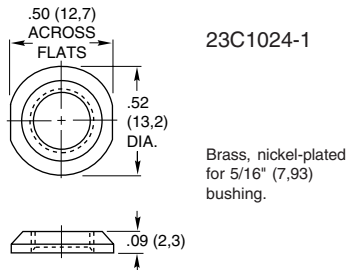
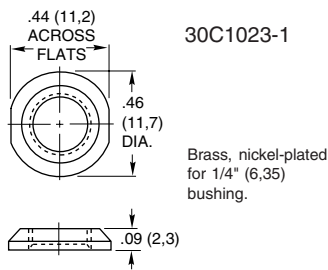
Button Guard



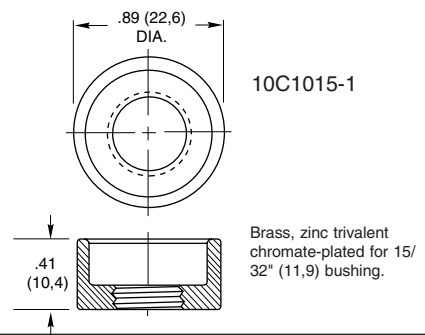
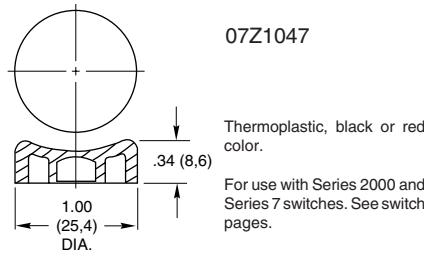
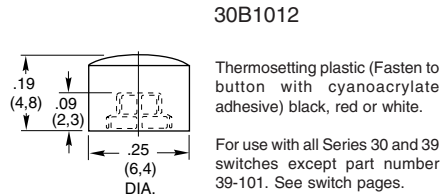
Pendant Housing

## DIMENSIONS In Inches (and millimeters)

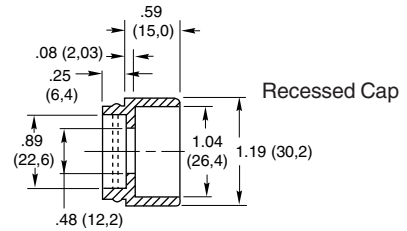
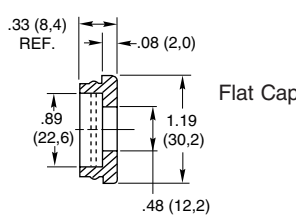
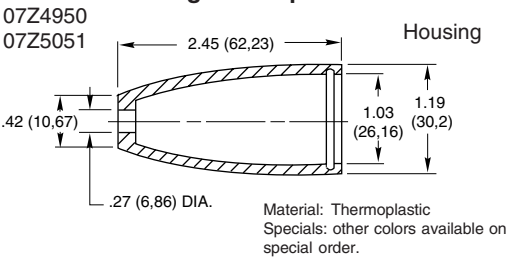
### Decorative Mounting Nuts



### Button Caps and Guard



### Remote Switching Accessories Pendant Housing and Caps



Application:  
All Grayhill pushbutton switches with 15/32-32 bushings: catalog numbers 2201, 2202, 07-7, 07-8, 07-21, 07-22, 07-26, 4001, 4002, 10-9, 10-10, 10-100, 10-101, 30-16, 30-17 and 30-32. any other switch with 15/32-32 bushing if it fits housing.

## ORDERING INFORMATION:

Mounting Nuts, Button Caps, and Guards

Part Number	Color
07C1040-1	Decorative Nut
23C1024	Decorative Nut
30C1023-1	Decorative Nut
07Z1047-1 BLK	Black Button Cap
07Z1047-2 RED	Red Button Cap
10C1015-1	Button Guard
30B1012-5	Red Cap
30B1012-8	White Cap
30B1012-9	Black Cap

Pendant Housing and Caps

Part Number	Description
07Z4950 RED	Red Flat Cap & Housing
07Z4950 BLK	Black Flat Cap & Housing
07Z5051 RED	Red Rcstd Cap & Housing
07Z5051 BLK	Black Rcstd Cap & Housing

Sold only as sets of one housing and one cap.

Available from your local Grayhill Distributor.

For prices and discounts, contact a local Sales Office, an authorized local Distributor, or Grayhill.



Компания «ЭлектроПласт» предлагает заключение долгосрочных отношений при поставках импортных электронных компонентов на взаимовыгодных условиях!

Наши преимущества:

- Оперативные поставки широкого спектра электронных компонентов отечественного и импортного производства напрямую от производителей и с крупнейших мировых складов;
- Поставка более 17-ти миллионов наименований электронных компонентов;
- Поставка сложных, дефицитных, либо снятых с производства позиций;
- Оперативные сроки поставки под заказ (от 5 рабочих дней);
- Экспресс доставка в любую точку России;
- Техническая поддержка проекта, помощь в подборе аналогов, поставка прототипов;
- Система менеджмента качества сертифицирована по Международному стандарту ISO 9001;
- Лицензия ФСБ на осуществление работ с использованием сведений, составляющих государственную тайну;
- Поставка специализированных компонентов (Xilinx, Altera, Analog Devices, Intersil, Interpoint, Microsemi, Aeroflex, Peregrine, Syfer, Eurofarad, Texas Instrument, Miteq, Cobham, E2V, MA-COM, Hittite, Mini-Circuits, General Dynamics и др.);

Помимо этого, одним из направлений компании «ЭлектроПласт» является направление «Источники питания». Мы предлагаем Вам помощь Конструкторского отдела:

- Подбор оптимального решения, техническое обоснование при выборе компонента;
- Подбор аналогов;
- Консультации по применению компонента;
- Поставка образцов и прототипов;
- Техническая поддержка проекта;
- Защита от снятия компонента с производства.



#### Как с нами связаться

**Телефон:** 8 (812) 309 58 32 (многоканальный)

**Факс:** 8 (812) 320-02-42

**Электронная почта:** [org@eplast1.ru](mailto:org@eplast1.ru)

**Адрес:** 198099, г. Санкт-Петербург, ул. Калинина, дом 2, корпус 4, литера А.