

# NL17SZ07

## Single Non-Inverting Buffer with Open Drain Output

The NL17SZ07 is a high performance single non-inverting buffer with open drain outputs operating from a 1.65 to 5.5 V supply.

The Output stage is open drain with Over Voltage Tolerance. This allows the NL17SZ07 to be used to interface 5.0 V circuits to circuits of any voltage between 0 and +7.0 V.

### Features

- Tiny SOT-353, SOT-553 and SOT-953 Packages
- Extremely High Speed:  $t_{PD}$  2.5 ns (typical) at  $V_{CC} = 5$  V
- Designed for 1.65 V to 5.5 V  $V_{CC}$  Operation, CMOS Compatible
- Over Voltage Tolerant Inputs  $V_{IN}$  may be Between 0 and 7.0 V for  $V_{CC}$  Between 0.5 and 5.5 V
- TTL Compatible – Interface Capability with 5.0 V TTL Logic with  $V_{CC} = 2.7$  V to 3.6 V
- LVCMOS Compatible
- 24 mA Output Sink Capability, Pullup may be between 0 and 7.0 V
- Near Zero Static Supply Current Substantially Reduces System Power Requirements
- Chip Complexity: FET = 20
- These Devices are Pb-Free, Halogen Free/BFR Free and are RoHS Compliant

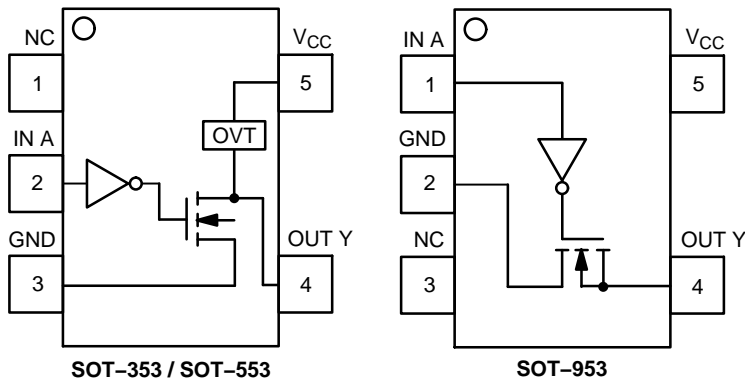


Figure 1. Pinout

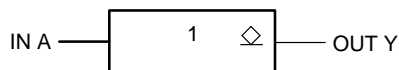


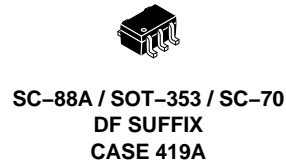
Figure 2. Logic Symbol



ON Semiconductor®

[www.onsemi.com](http://www.onsemi.com)

### MARKING DIAGRAMS



SOT-553  
XV5 SUFFIX  
CASE 463B

L7 = Device Code  
M = Date Code\*  
▪ = Pb-Free Package

(Note: Microdot may be in either location)  
\*Date Code orientation and/or position may vary depending upon manufacturing location.



SOT-953  
CASE 527AE

6 = Specific Device Code  
M = Month Code

### ORDERING INFORMATION

See detailed ordering and shipping information in the package dimensions section on page 5 of this data sheet.

# NL17SZ07

## PIN ASSIGNMENT (SOT-353 / SOT-553)

| Pin | Function        |
|-----|-----------------|
| 1   | NC              |
| 2   | IN A            |
| 3   | GND             |
| 4   | OUT Y           |
| 5   | V <sub>CC</sub> |

## PIN ASSIGNMENT (SOT-953)

| Pin | Function        |
|-----|-----------------|
| 1   | IN A            |
| 2   | GND             |
| 3   | NC              |
| 4   | OUT Y           |
| 5   | V <sub>CC</sub> |

## FUNCTION TABLE

| Input | Output |
|-------|--------|
| A     | Y      |
| L     | L      |
| H     | Z      |

## MAXIMUM RATINGS

| Symbol                | Characteristics   | Value                         | Unit |      |
|-----------------------|---|-------------------------------|------|------|
| V <sub>CC</sub>       | DC Supply Voltage   | -0.5 to +7.0                  | V    |      |
| V <sub>I</sub>        | DC Input Voltage  | -0.5 ≤ V <sub>I</sub> ≤ +7.0  | V    |      |
| V <sub>O</sub>        | DC Output Voltage (SOT-953 Package) (Note 1)  | -0.5 to V <sub>CC</sub> + 0.5 | V    |      |
|                       | DC Output Voltage (SOT-353 / SOT-553 Packages) Active Mode, LOW State (Note 1)                        | -0.5 to V <sub>CC</sub> + 0.5 |      |      |
|                       | DC Output Voltage (SOT-353 / SOT-553 Packages) Tri-State Mode Power-Down Mode (V <sub>CC</sub> = 0 V) | -0.5 to +7.0<br>-0.5 to +7.0  |      |      |
| I <sub>OK</sub>       | DC Output Diode Current (SOT-953 Package) V <sub>O</sub> < GND, V <sub>O</sub> > V <sub>CC</sub>      | ±50                           | mA   |      |
|                       | DC Output Diode Current (SOT-353 / SOT-553 Packages) V <sub>O</sub> < GND                             | -50                           |      |      |
| I <sub>IK</sub>       | DC Input Diode Current V <sub>I</sub> < GND   | -50                           | mA   |      |
| I <sub>O</sub>        | DC Output Sink Current  | ±50                           | mA   |      |
| I <sub>CC</sub>       | DC Supply Current per Supply Pin  | ±100                          | mA   |      |
| I <sub>GND</sub>      | DC Ground Current per Ground Pin  | ±100                          | mA   |      |
| T <sub>STG</sub>      | Storage Temperature Range   | -65 to +150                   | °C   |      |
| P <sub>D</sub>        | Power Dissipation in Still Air  | SOT-353                       | 186  | mW   |
|                       |   | SOT-553                       | 135  |      |
| θ <sub>JA</sub>       | Thermal Resistance  | SOT-353                       | 350  | °C/W |
|                       |   | SOT-553                       | 496  |      |
| T <sub>L</sub>        | Lead Temperature, 1 mm from Case for 10 Seconds   | 260                           | °C   |      |
| T <sub>J</sub>        | Junction Temperature Under Bias   | +150                          | °C   |      |
| I <sub>Latch-Up</sub> | Latch-Up Performance Above V <sub>CC</sub> and Below GND at 85°C (Note 5)                             | ±100                          | mA   |      |
| MSL                   | Moisture Sensitivity  | Level 1                       |      |      |
| F <sub>R</sub>        | Flammability Rating Oxygen Index: 28 to 34  | UL 94 V-0 @ 0.125 in          |      |      |
| ESD                   | ESD Classification  | Human Body Model (Note 3)     | 2000 | V    |
|                       |   | Machine Model (Note 4)        | 200  | V    |
|                       |   | Charged Device Model (Note 5) | N/A  |      |

Stresses exceeding those listed in the Maximum Ratings table may damage the device. If any of these limits are exceeded, device functionality should not be assumed, damage may occur and reliability may be affected.

1. I<sub>O</sub> absolute maximum rating must be observed.
2. Tested to EIA/JESD22-A114-A, rated to EIA/JESD22-A114-B.
3. Tested to EIA/JESD22-A115-A, rated to EIA/JESD22-A115-A.
4. Tested to JESD22-C101-A.
5. Tested to EIA/JESD78.

# NL17SZ07

## RECOMMENDED OPERATING CONDITIONS

| Symbol          | Parameter                                   | Min                            | Max             | Unit |                 |
|-----------------|---|--------------------------------|-----------------|------|-----------------|
| V <sub>CC</sub> | Supply Voltage                              | Operating                      | 1.65            | 5.5  | V               |
|                 |   | Data Retention Only            | 1.5             | 5.5  |                 |
| V <sub>I</sub>  | Input Voltage                               | 0                              | 5.5             | V    |                 |
| V <sub>O</sub>  | Output Voltage (SOT-953 Package)            | 0                              | V <sub>CC</sub> | V    |                 |
|                 | Output Voltage (SOT-353 / SOT-553 Packages) | Active Mode, LOW State         | 0               |      | V <sub>CC</sub> |
|                 |   | Tri-State Mode                 | 0               |      | 5.5             |
|                 | Power-Down Mode (V <sub>CC</sub> = 0 V)     | 0                              | 5.5             |      |                 |
| T <sub>A</sub>  | Operating Free-Air Temperature              | -55                            | +125            | °C   |                 |
| Δt/ΔV           | Input Transition Rise or Fall Rate          | V <sub>CC</sub> = 2.5 V ±0.2 V | 0               | 20   | ns/V            |
|                 |   | V <sub>CC</sub> = 3.0 V ±0.3 V | 0               | 10   |                 |
|                 |   | V <sub>CC</sub> = 5.0 V ±0.5 V | 0               | 5    |                 |

Functional operation above the stresses listed in the Recommended Operating Ranges is not implied. Extended exposure to stresses beyond the Recommended Operating Ranges limits may affect device reliability.

## DC ELECTRICAL CHARACTERISTICS

| Symbol           | Parameter   | Condition  | V <sub>CC</sub><br>(V)     | T <sub>A</sub> = 25°C                       |      |   | -55°C ≤ T <sub>A</sub> ≤ 125°C              |   | Unit |
|------------------|---|--|----------------------------|---|------|---|---|---|------|
|                  |   |  |                            | Min   | Typ  | Max   | Min   | Max   |      |
| V <sub>IH</sub>  | High-Level Input Voltage                                      |  | 1.65 to 1.95<br>2.3 to 5.5 | 0.75 V <sub>CC</sub><br>0.7 V <sub>CC</sub> |      |   | 0.75 V <sub>CC</sub><br>0.7 V <sub>CC</sub> |   | V    |
| V <sub>IL</sub>  | Low-Level Input Voltage                                       |  | 1.65 to 1.95<br>2.3 to 5.5 |   |      | 0.25 V <sub>CC</sub><br>0.3 V <sub>CC</sub> |   | 0.25 V <sub>CC</sub><br>0.3 V <sub>CC</sub> | V    |
| I <sub>LKG</sub> | Z-State Output Leakage Current                                | V <sub>IN</sub> = V <sub>IH</sub><br>V <sub>OUT</sub> = V <sub>CC</sub> or GND | 2.3 to 5.5                 |   |      | ±5.0  |   | ±10.0                                       | μA   |
| V <sub>OL</sub>  | Low-Level Output Voltage<br>V <sub>IN</sub> = V <sub>IL</sub> | I <sub>OL</sub> = 100 μA   | 1.65 to 5.5                |   | 0.0  | 0.1   |   | 0.1   | V    |
|                  |   | I <sub>OL</sub> = 4 mA   | 1.65                       |   | 0.08 | 0.24  |   | 0.24  |      |
|                  |   | I <sub>OL</sub> = 8 mA   | 2.3                        |   | 0.20 | 0.3   |   | 0.3   |      |
|                  |   | I <sub>OL</sub> = 12 mA  | 2.7                        |   | 0.22 | 0.4   |   | 0.4   |      |
|                  |   | I <sub>OL</sub> = 16 mA  | 3.0                        |   | 0.28 | 0.4   |   | 0.4   |      |
|                  |   | I <sub>OL</sub> = 24 mA  | 3.0                        |   | 0.38 | 0.55  |   | 0.55  |      |
|                  |   | I <sub>OL</sub> = 32 mA  | 4.5                        |   | 0.42 | 0.55  |   | 0.55  |      |
| I <sub>IN</sub>  | Input Leakage Current   | V <sub>IN</sub> = 5.5 V or GND   | 0 to 5.5                   |   |      | ±0.1  |   | ±1.0  | μA   |
| I <sub>OFF</sub> | Power Off Leakage Current (SOT-353/SOT-553 Packages)          | V <sub>IN</sub> = 5.5 V or<br>V <sub>OUT</sub> = 5.5 V                         | 0                          |   |      | 1   |   | 10  | μA   |
| I <sub>CC</sub>  | Quiescent Supply Current                                      | V <sub>IN</sub> = 5.5 V or GND   | 5.5                        |   |      | 1   |   | 10  | μA   |
| I <sub>CCT</sub> | Quiescent Supply Current                                      | V <sub>IN</sub> = 3.0 V  | 3.6                        |   |      | 10  |   | 100   | μA   |

Product parametric performance is indicated in the Electrical Characteristics for the listed test conditions, unless otherwise noted. Product performance may not be indicated by the Electrical Characteristics if operated under different conditions.

# NL17SZ07

## AC ELECTRICAL CHARACTERISTICS $t_R = t_F = 2.5 \text{ ns}$ ; $C_L = 50 \text{ pF}$ ; $R_L = 500 \Omega$

| Symbol    | Parameter                             | Condition  | $V_{CC} \text{ (V)}$ | $T_A = 25^\circ\text{C}$ |     |      | $-55^\circ\text{C} \leq T_A \leq 125^\circ\text{C}$ |      | Unit |
|-----------|---------------------------------------|--|----------------------|--------------------------|-----|------|---|------|------|
|           |                                       |  |                      | Min                      | Typ | Max  | Min   | Max  |      |
| $t_{PZL}$ | Propagation Delay<br>(Figure 3 and 4) | $R_L = R_1 = 500 \Omega$ , $C_L = 50 \text{ pF}$ | $1.8 \pm 0.15$       | 0.8                      | 5.3 | 11.6 | 0.8   | 12.0 | ns   |
|           |                                       |  | $2.5 \pm 0.2$        | 1.2                      | 3.7 | 5.8  | 1.2   | 6.4  |      |
|           |                                       |  | $3.3 \pm 0.3$        | 0.8                      | 2.9 | 4.4  | 0.8   | 4.8  |      |
|           |                                       |  | $5.0 \pm 0.5$        | 0.5                      | 2.3 | 3.5  | 0.5   | 3.9  |      |
| $t_{PLZ}$ | Propagation Delay<br>(Figure 3 and 4) | $R_L = R_1 = 500 \Omega$ , $C_L = 50 \text{ pF}$ | $1.8 \pm 0.15$       | 0.8                      | 5.3 | 11.6 | 0.8   | 1.20 | ns   |
|           |                                       |  | $2.5 \pm 0.2$        | 1.2                      | 2.8 | 5.8  | 1.2   | 6.4  |      |
|           |                                       |  | $3.3 \pm 0.3$        | 0.8                      | 2.1 | 4.4  | 0.8   | 4.8  |      |
|           |                                       |  | $5.0 \pm 0.5$        | 0.5                      | 1.4 | 3.5  | 0.5   | 3.9  |      |

## CAPACITIVE CHARACTERISTICS

| Symbol    | Parameter                              | Condition  | Typical | Unit |
|-----------|--|--|---------|------|
| $C_{IN}$  | Input Capacitance                      | $V_{CC} = 5.5 \text{ V}$ , $V_I = 0 \text{ V}$ or $V_{CC}$         | > 2.5   | pF   |
| $C_{OUT}$ | Output Capacitance                     | $V_{CC} = 5.5 \text{ V}$ , $V_I = 0 \text{ V}$ or $V_{CC}$         | 4.0     | pF   |
| $C_{PD}$  | Power Dissipation Capacitance (Note 6) | 10 MHz, $V_{CC} = 5.5 \text{ V}$ , $V_I = 0 \text{ V}$ or $V_{CC}$ | 4.0     | pF   |

6.  $C_{PD}$  is defined as the value of the internal equivalent capacitance which is calculated from the operating current consumption without load. Average operating current can be obtained by the equation:  $I_{CC(OPR)} = C_{PD} \cdot V_{CC} \cdot f_{in} + I_{CC}$ .  $C_{PD}$  is used to determine the no-load dynamic power consumption;  $P_D = C_{PD} \cdot V_{CC}^2 \cdot f_{in} + I_{CC} \cdot V_{CC}$ .

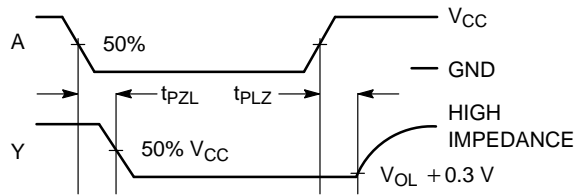


Figure 3. Switching Waveforms

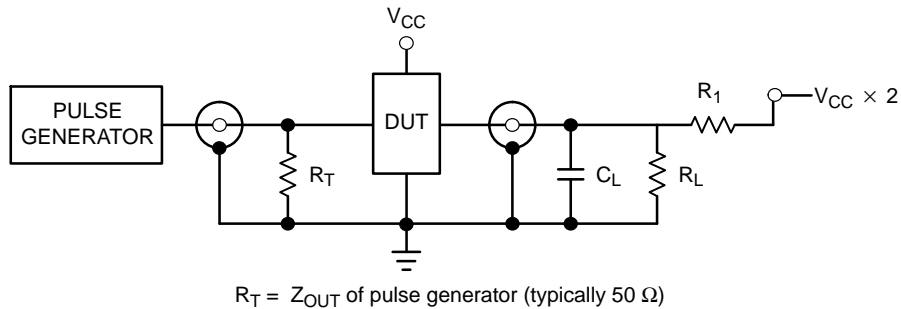


Figure 4. Test Circuit

# NL17SZ07

## DEVICE ORDERING INFORMATION

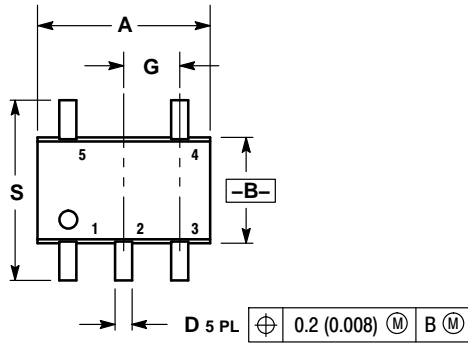
| Device         | Package                            | Shipping†          |
|----------------|------------------------------------|--------------------|
| NL17SZ07DFT2G  | SOT-353/SC70-5/SC-88A<br>(Pb-Free) | 3000 / Tape & Reel |
| NL17SZ07XV5T2G | SOT-553<br>(Pb-Free)               | 4000 / Tape & Reel |
| NL17SZ07P5T5G  | SOT-953<br>(Pb-Free)               | 8000 / Tape & Reel |

†For information on tape and reel specifications, including part orientation and tape sizes, please refer to our Tape and Reel Packaging Specifications Brochure, BRD8011/D.

# NL17SZ07

## PACKAGE DIMENSIONS

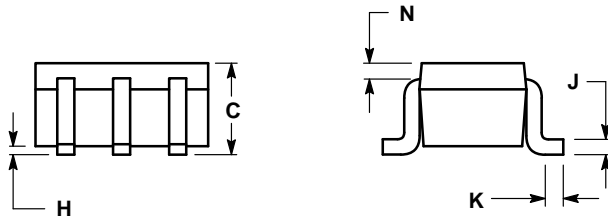
SC-88A (SC-70-5/SOT-353)  
CASE 419A-02  
ISSUE L



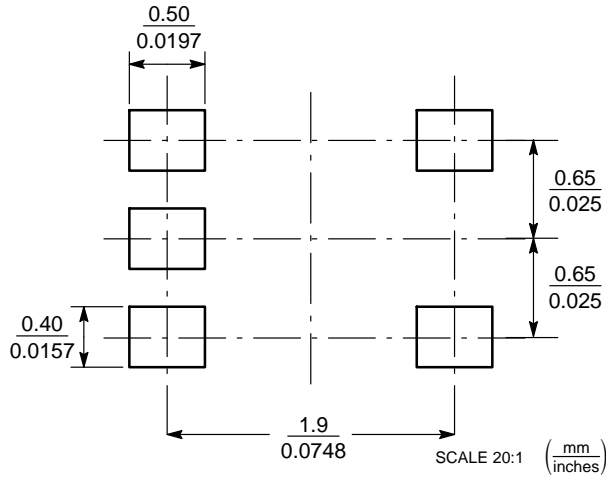
NOTES:

1. DIMENSIONING AND TOLERANCING PER ANSI Y14.5M, 1982.
2. CONTROLLING DIMENSION: INCH.
3. 419A-01 OBSOLETE. NEW STANDARD 419A-02.
4. DIMENSIONS A AND B DO NOT INCLUDE MOLD FLASH, PROTRUSIONS, OR GATE BURRS.

| DIM | INCHES    |       | MILLIMETERS |      |
|-----|-----------|-------|-------------|------|
|     | MIN       | MAX   | MIN         | MAX  |
| A   | 0.071     | 0.087 | 1.80        | 2.20 |
| B   | 0.045     | 0.053 | 1.15        | 1.35 |
| C   | 0.031     | 0.043 | 0.80        | 1.10 |
| D   | 0.004     | 0.012 | 0.10        | 0.30 |
| G   | 0.026 BSC |       | 0.65 BSC    |      |
| H   | ---       | 0.004 | ---         | 0.10 |
| J   | 0.004     | 0.010 | 0.10        | 0.25 |
| K   | 0.004     | 0.012 | 0.10        | 0.30 |
| N   | 0.008 REF |       | 0.20 REF    |      |
| S   | 0.079     | 0.087 | 2.00        | 2.20 |



### SOLDER FOOTPRINT\*

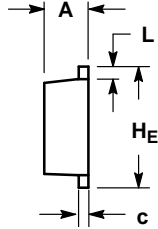
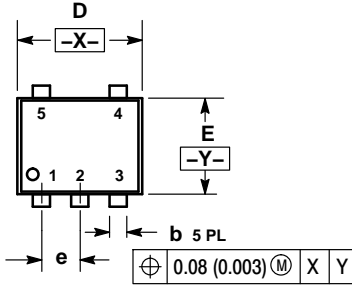


\*For additional information on our Pb-Free strategy and soldering details, please download the ON Semiconductor Soldering and Mounting Techniques Reference Manual, SOLDERRM/D.

# NL17SZ07

## PACKAGE DIMENSIONS

**SOT-553**  
**XV5 SUFFIX**  
**CASE 463B**  
**ISSUE C**

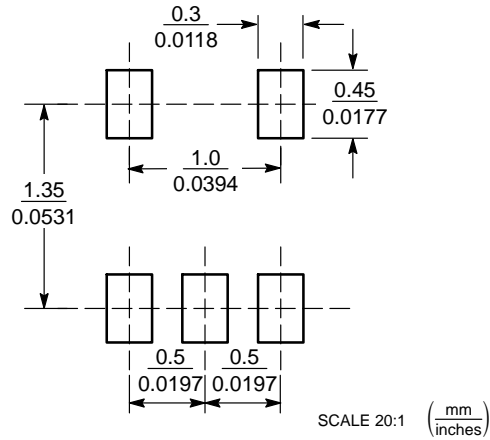


**NOTES:**

1. DIMENSIONING AND TOLERANCING PER ANSI Y14.5M, 1982.
2. CONTROLLING DIMENSION: MILLIMETERS
3. MAXIMUM LEAD THICKNESS INCLUDES LEAD FINISH THICKNESS. MINIMUM LEAD THICKNESS IS THE MINIMUM THICKNESS OF BASE MATERIAL.

| DIM | MILLIMETERS |      |      | INCHES    |       |       |
|-----|-------------|------|------|-----------|-------|-------|
|     | MIN         | NOM  | MAX  | MIN       | NOM   | MAX   |
| A   | 0.50        | 0.55 | 0.60 | 0.020     | 0.022 | 0.024 |
| b   | 0.17        | 0.22 | 0.27 | 0.007     | 0.009 | 0.011 |
| c   | 0.08        | 0.13 | 0.18 | 0.003     | 0.005 | 0.007 |
| D   | 1.55        | 1.60 | 1.65 | 0.061     | 0.063 | 0.065 |
| E   | 1.15        | 1.20 | 1.25 | 0.045     | 0.047 | 0.049 |
| e   | 0.50 BSC    |      |      | 0.020 BSC |       |       |
| L   | 0.10        | 0.20 | 0.30 | 0.004     | 0.008 | 0.012 |
| HE  | 1.55        | 1.60 | 1.65 | 0.061     | 0.063 | 0.065 |

### SOLDERING FOOTPRINT\*

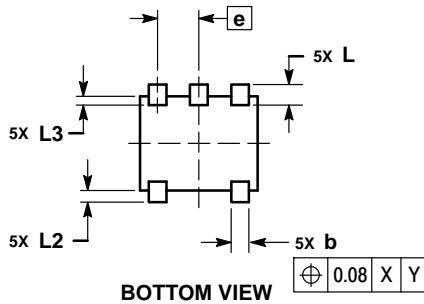
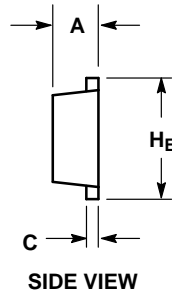
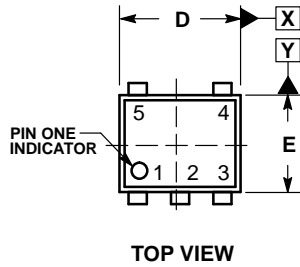


\*For additional information on our Pb-Free strategy and soldering details, please download the ON Semiconductor Soldering and Mounting Techniques Reference Manual, SOLDERRM/D.

# NL17SZ07

## PACKAGE DIMENSIONS

### SOT-953 CASE 527AE ISSUE E

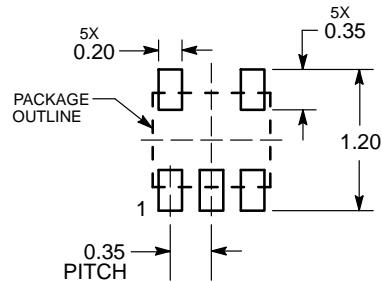


#### NOTES:

1. DIMENSIONING AND TOLERANCING PER ASME Y14.5M, 1994.
2. CONTROLLING DIMENSION: MILLIMETERS
3. MAXIMUM LEAD THICKNESS INCLUDES LEAD FINISH. MINIMUM LEAD THICKNESS IS THE MINIMUM THICKNESS OF THE BASE MATERIAL.
4. DIMENSIONS D AND E DO NOT INCLUDE MOLD FLASH, PROTRUSIONS, OR GATE BURRS.

| DIM | MILLIMETERS |      |      |
|-----|-------------|------|------|
|     | MIN         | NOM  | MAX  |
| A   | 0.34        | 0.37 | 0.40 |
| b   | 0.10        | 0.15 | 0.20 |
| C   | 0.07        | 0.12 | 0.17 |
| D   | 0.95        | 1.00 | 1.05 |
| E   | 0.75        | 0.80 | 0.85 |
| e   | 0.35 BSC    |      |      |
| He  | 0.95        | 1.00 | 1.05 |
| L   | 0.175 REF   |      |      |
| L2  | 0.05        | 0.10 | 0.15 |
| L3  | ---         | ---  | 0.15 |

#### SOLDERING FOOTPRINT\*



DIMENSIONS: MILLIMETERS

\*For additional information on our Pb-Free strategy and soldering details, please download the ON Semiconductor Soldering and Mounting Techniques Reference Manual, SOLDERRM/D.

ON Semiconductor and the are registered trademarks of Semiconductor Components Industries, LLC (SCILLC) or its subsidiaries in the United States and/or other countries. SCILLC owns the rights to a number of patents, trademarks, copyrights, trade secrets, and other intellectual property. A listing of SCILLC's product/patent coverage may be accessed at [www.onsemi.com/site/pdf/Patent-Marketing.pdf](http://www.onsemi.com/site/pdf/Patent-Marketing.pdf). SCILLC reserves the right to make changes without further notice to any products herein. SCILLC makes no warranty, representation or guarantee regarding the suitability of its products for any particular purpose, nor does SCILLC assume any liability arising out of the application or use of any product or circuit, and specifically disclaims any and all liability, including without limitation special, consequential or incidental damages. "Typical" parameters which may be provided in SCILLC data sheets and/or specifications can and do vary in different applications and actual performance may vary over time. All operating parameters, including "Typicals" must be validated for each customer application by customer's technical experts. SCILLC does not convey any license under its patent rights nor the rights of others. SCILLC products are not designed, intended, or authorized for use as components in systems intended for surgical implant into the body, or other applications intended to support or sustain life, or for any other application in which the failure of the SCILLC product could create a situation where personal injury or death may occur. Should Buyer purchase or use SCILLC products for any such unintended or unauthorized application, Buyer shall indemnify and hold SCILLC and its officers, employees, subsidiaries, affiliates, and distributors harmless against all claims, costs, damages, and expenses, and reasonable attorney fees arising out of, directly or indirectly, any claim of personal injury or death associated with such unintended or unauthorized use, even if such claim alleges that SCILLC was negligent regarding the design or manufacture of the part. SCILLC is an Equal Opportunity/Affirmative Action Employer. This literature is subject to all applicable copyright laws and is not for resale in any manner.

#### PUBLICATION ORDERING INFORMATION

##### LITERATURE FULFILLMENT:

Literature Distribution Center for ON Semiconductor  
19521 E. 32nd Pkwy, Aurora, Colorado 80011 USA  
Phone: 303-675-2175 or 800-344-3860 Toll Free USA/Canada  
Fax: 303-675-2176 or 800-344-3867 Toll Free USA/Canada  
Email: [orderlit@onsemi.com](mailto:orderlit@onsemi.com)

**N. American Technical Support:** 800-282-9855 Toll Free  
USA/Canada  
**Europe, Middle East and Africa Technical Support:**  
Phone: 421 33 790 2910  
**Japan Customer Focus Center**  
Phone: 81-3-5817-1050

**ON Semiconductor Website:** [www.onsemi.com](http://www.onsemi.com)

**Order Literature:** <http://www.onsemi.com/orderlit>

For additional information, please contact your local Sales Representative





Компания «ЭлектроПласт» предлагает заключение долгосрочных отношений при поставках импортных электронных компонентов на взаимовыгодных условиях!

Наши преимущества:

- Оперативные поставки широкого спектра электронных компонентов отечественного и импортного производства напрямую от производителей и с крупнейших мировых складов;
- Поставка более 17-ти миллионов наименований электронных компонентов;
- Поставка сложных, дефицитных, либо снятых с производства позиций;
- Оперативные сроки поставки под заказ (от 5 рабочих дней);
- Экспресс доставка в любую точку России;
- Техническая поддержка проекта, помощь в подборе аналогов, поставка прототипов;
- Система менеджмента качества сертифицирована по Международному стандарту ISO 9001;
- Лицензия ФСБ на осуществление работ с использованием сведений, составляющих государственную тайну;
- Поставка специализированных компонентов (Xilinx, Altera, Analog Devices, Intersil, Interpoint, Microsemi, Aeroflex, Peregrine, Syfer, Eurofarad, Texas Instrument, Miteq, Cobham, E2V, MA-COM, Hittite, Mini-Circuits, General Dynamics и др.);

Помимо этого, одним из направлений компании «ЭлектроПласт» является направление «Источники питания». Мы предлагаем Вам помощь Конструкторского отдела:

- Подбор оптимального решения, техническое обоснование при выборе компонента;
- Подбор аналогов;
- Консультации по применению компонента;
- Поставка образцов и прототипов;
- Техническая поддержка проекта;
- Защита от снятия компонента с производства.



#### Как с нами связаться

**Телефон:** 8 (812) 309 58 32 (многоканальный)

**Факс:** 8 (812) 320-02-42

**Электронная почта:** [org@eplast1.ru](mailto:org@eplast1.ru)

**Адрес:** 198099, г. Санкт-Петербург, ул. Калинина, дом 2, корпус 4, литера А.