



FCIconnect.com

Copyright FCI.

1

2

List of "HFW__R-5/6STE1LF" customer document

DOCUMENT NO.	LIST
SC-HFWR05	SPEC.
JSA97339	CAT.NO.TABLE FOR 1mm SPACING SMT CONNECTOR (HFW__R-5/6ST_LF)
JSA97340	1mm SPACING SURFACE MOUNT CIC CONNECCTOR (HFW__R-5ST_LF)
JSA97341	1mm SPACING SURFACE MOUNT CIC CONNECCTOR (HFW__R-6ST_LF)
JSA97342	CAT.NO.TABLE FOR PLASTIC TAPE PACKAGED 1mm SPACING SMT CONN.(HFW__R-5/6STE1LF)
JSA97343	1mm SPACING SMT CONNECTOR (HFW__R-5STE1LF)
JSA97344	1mm SPACING SMT CONNECTOR (HFW__R-6STE1LF)
JSA97345	RECOMMENDED CABLE (CIC) (HFW__R-5/6___)

mat'l. code		surface 58 ISO 1302 <input checked="" type="checkbox"/>		tolerance ISO 406 ISO 1101		projection 		product family 58NF		CODE JP	
ltr	ecn no	dr	date	tolerances unless otherwise specified		mm		title			
A	J07-0397	H.T	7/27/07	angles	linear	mm		1mm SPACING CIC CONNECTOR DOCUMENT LIST (Cat. No. : HFW__R-5/6STE1LF)			
sheet index		revision sheet	A	dr	engr	chr	appd	dwg no		sheet 1 of 1	size
1		1		<i>S. Shouji</i>	<i>H. Hatakeyama</i>	<i>X. Shouji</i>	<i>S. Shouji</i>	JSA 97346			A4
								type Product Customer Drawing			
											Rev A

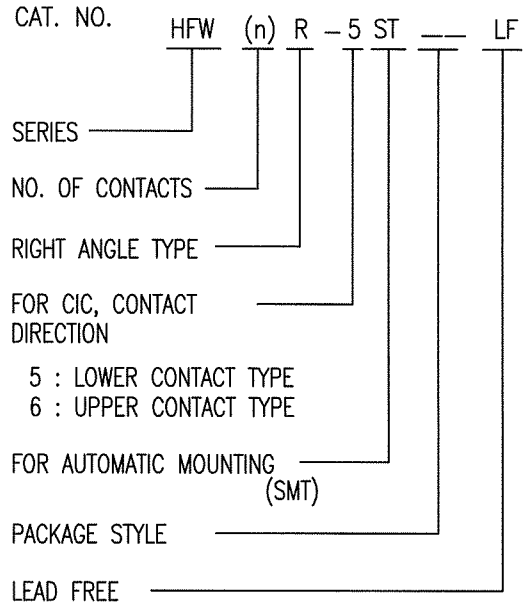
form: A4

1

2

CAT. NO. & DIMENSIONS

(NOTE3)	NO. OF CONTACTS (n)	CAT. NO.	DIMENSIONS (NOTE2)		
			A ± 0.2	B ± 0.2	C ± 0.1
	4	HFW4R-5/6ST__LF	6.6	3	5.14
	5	HFW5R-5/6ST__LF	7.6	4	6.14
	6	HFW6R-5/6ST__LF	8.6	5	7.14
	7	HFW7R-5/6ST__LF	9.6	6	8.14
	8	HFW8R-5/6ST__LF	10.6	7	9.14
	9	HFW9R-5/6ST__LF	11.6	8	10.14
	10	HFW10R-5/6ST__LF	12.6	9	11.14
	11	HFW11R-5/6ST__LF	13.6	10	12.14
	12	HFW12R-5/6ST__LF	14.6	11	13.14
	13	HFW13R-5/6ST__LF	15.6	12	14.14
	14	HFW14R-5/6ST__LF	16.6	13	15.14
	15	HFW15R-5/6ST__LF	17.6	14	16.14
	16	HFW16R-5/6ST__LF	18.6	15	17.14
	17	HFW17R-5/6ST__LF	19.6	16	18.14
	18	HFW18R-5/6ST__LF	20.6	17	19.14
	19	HFW19R-5/6ST__LF	21.6	18	20.14
	20	HFW20R-5/6ST__LF	22.6	19	21.14
	21	HFW21R-5/6ST__LF	23.6	20	22.14
	22	HFW22R-5/6ST__LF	24.6	21	23.14
	23	HFW23R-5/6ST__LF	25.6	22	24.14
	24	HFW24R-5/6ST__LF	26.6	23	25.14
	25	HFW25R-5/6ST__LF	27.6	24	26.14
	26	HFW26R-5/6ST__LF	28.6	25	27.14
	27	HFW27R-5/6ST__LF	29.6	26	28.14
*	28	HFW28R-5/6ST__LF	30.6	27	29.14
*	29	HFW29R-5/6ST__LF	31.6	28	30.14
	30	HFW30R-5/6ST__LF	32.6	29	31.14

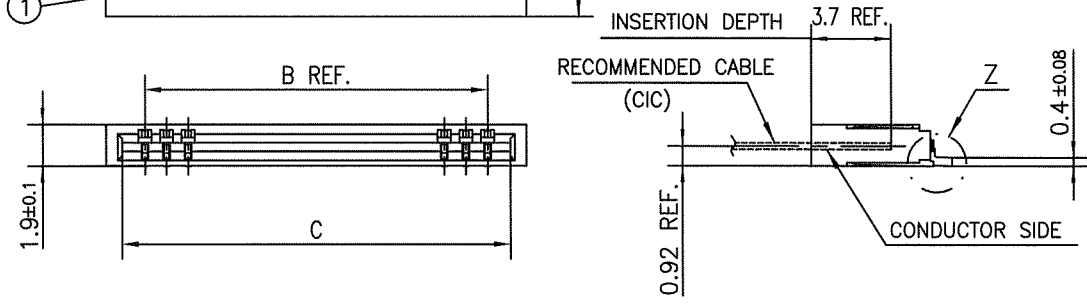
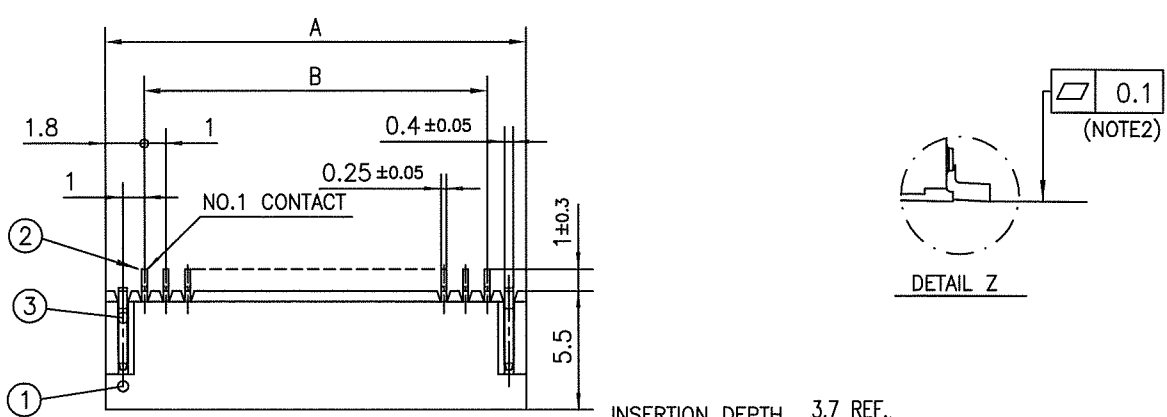


NOTES

1. THIS PRODUCT IS THE CONNECTOR DESIGNED TO TERMINATE CIC AND COPES WITH AUTOMATIC MOUNTING (SMT).
2. SEE PART DRAWINGS FOR DIMENSIONS A~C.
3. PLEASE CONSULT US IN CASE OF USING PARTS WITH * MARK.

mat'l. code		surface 58 / tolerance ISO 1302 ✓ / ISO 406 / ISO 1101		projection		product family 58NF		CODE JP	
ltr	ecn no	dr	date	tolerances unless otherwise specified		title		sheet 1 of 1 size	
A	J07-0397	H.T.	7/27/07	angles	linear	CAT. NO. TABLE FOR 1mm SPACING SMT CONNECTOR (Cat. No. HFW__R-5/6ST__LF)		A4	
				dr	7/27/07	dwg no		sheet 1 of 1 size	
				enr	7/27/07	JSA 97339		A4	
				chr	7/27/07	type		Product Customer Drawing	
				appd	7/27/07				
sheet index		revision A						Rev. A	
		sheet 1							

SC-HFWR05 form: A4 JSA97340 97341 97342 97343 97344 97345

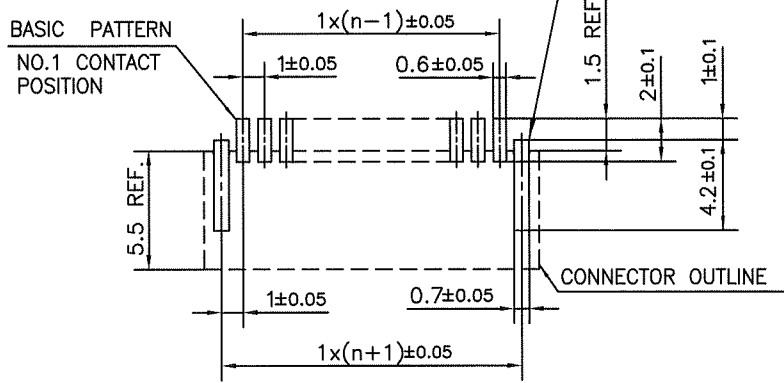


PT. NO.	PARTS NAME	MATERIAL	Q'TY	NOTE
1	HOUSING	PA6T RESIN GLASS REINFORCED (UL94V-0)	1	COLOR:BLACK
2	CONTACT	PHOSPHOR BRONZE	n	PLATING:TIN
3	MOUNTING PLATE		2	(LEAD FREE)

n : NO. OF CONTACTS

- NOTES
1. THIS PRODUCT IS THE CONNECTOR DESIGNED TO TERMINATE CIC AND COPE WITH AUTOMATIC MOUNTING (SMT).
 2. FLATNESS OF CONTACT TERMINAL FOR HOUSING MUST BE WITHIN TOLERANCE IN Z PORTION DETAILED DRAWING.
 3. THIS PRODUCT IS LOWER CONTACT TYPE CONNECTOR.
 4. THIS PRODUCT MEETS EUROPEAN UNION DIRECTIVES AND OTHER COUNTRY REGULATIONS AS DESCRIBED IN GS-22-008
 5. THE HOUSING WILL WITHSTAND EXPOSURE TO 260°C PEAK TEMPERATURE FOR 10 SECONDS IN A REFLOW SOLDERING OVEN.

RECOMMENDED PC BOARD LAYOUT (COMPONENT SIDE)



mat'l. code		surface 58 / tolerance ISO 1302 ✓ / ISO 406 / ISO 1101		projection	product family 58NF	CODE JP
ltr	ecn no	dr	date	tolerances, unless otherwise specified ±0.2	title	
A	J07-0397	H.T	7/27/07	angles linear	1mm SPACING SURFACE MOUNT CIC CONNECTOR (Cat.No. HFW__R-5ST__LF)	
				mm	dwg no JSA 97340 sheet 1 of 1 size A4	
				scale X	type Product Customer Drawing	
sheet index		revision sheet	A 1	Rev A		

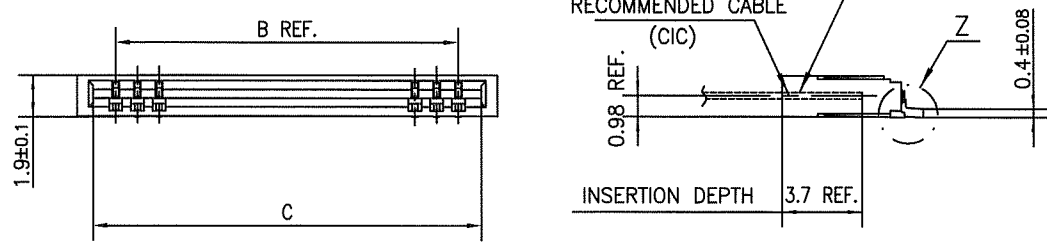
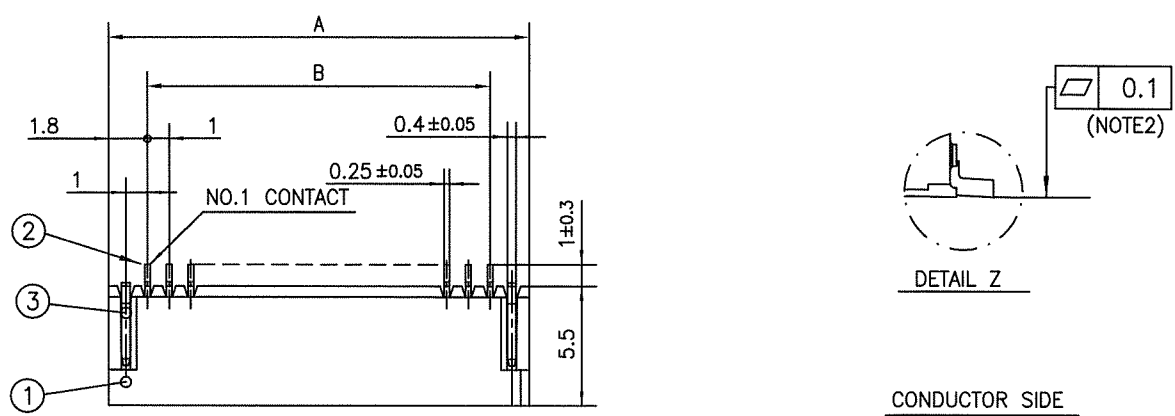
SC-HFWR JSA97339 Form: A4



FCIconnect.com

Copyright FCI.

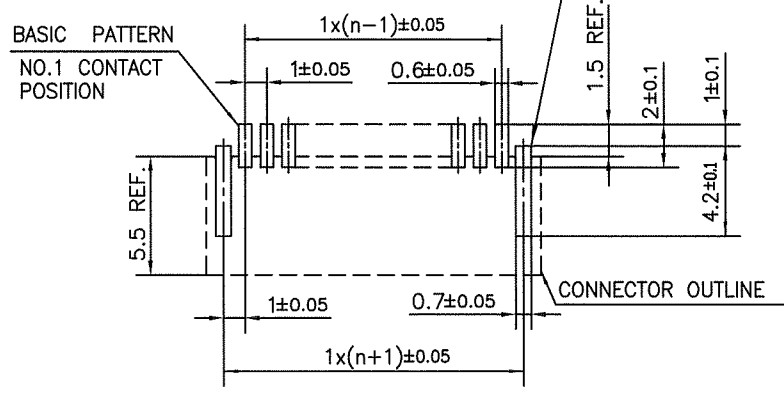




PT. NO.	PARTS NAME	MATERIAL	Q'TY	NOTE
1	HOUSING	PA6T RESIN GLASS REINFORCED (UL94V-0)	1	COLOR:BLACK
2	CONTACT	PHOSPHOR BRONZE	n	PLATING:TIN
3	MOUNTING PLATE		2	(LEAD FREE)

n : NO. OF CONTACTS

RECOMMENDED PC BOARD LAYOUT (COMPONENT SIDE)



NOTES

1. THIS PRODUCT IS THE CONNECTOR DESIGNED TO TERMINATE CIC AND COPE WITH AUTOMATIC MOUNTING (SMT).
2. FLATNESS OF CONTACT TERMINAL FOR HOUSING MUST BE WITHIN TOLERANCE IN Z PORTION DETAILED DRAWING.
3. THIS PRODUCT IS UPPER CONTACT TYPE CONNECTOR.
4. THIS PRODUCT MEETS EUROPEAN UNION DIRECTIVES AND OTHER COUNTRY REGULATIONS AS DESCRIBED IN GS-22-008
5. THE HOUSING WILL WITHSTAND EXPOSURE TO 260°C PEAK TEMPERATURE FOR 10 SECONDS IN A REFLOW SOLDERING OVEN.

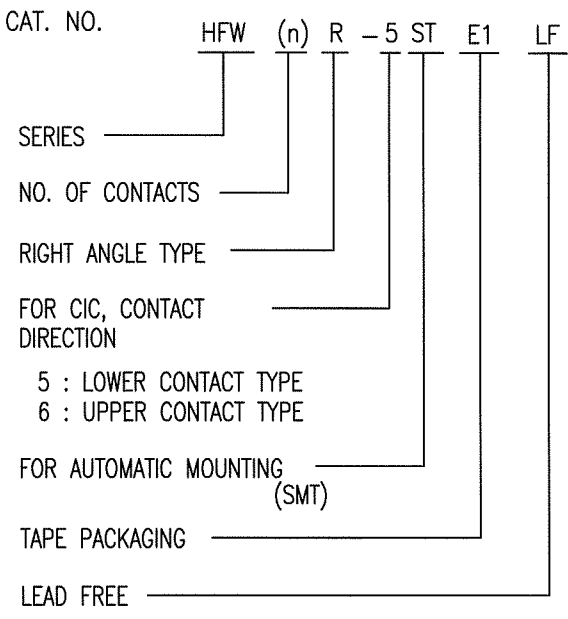
mat'l. code		surface 58 / tolerance ISO 1302 ✓ / ISO 406 / ISO 1101		projection	product family 58NF	CODE JP
ltr	ecn no	dr	date	mm	title 1mm SPACING SURFACE MOUNT CIC CONNECTOR (Cat. No. HFWR__R-6ST__LF)	
A	J07-0397	H.T	7/27/07			
		tolerances unless otherwise specified ±0.2		scale X	dwg no sheet 1 of 1 size JSA 97341 A4	
		angles	linear			
		dr	7/27/07		type Product Customer Drawing	
		enr	7/27/07			
		chr	7/27/07			
		app	7/27/07			
sheet index	revision	A				Rev. A
	sheet	1				

SC-HFWR05 JSA97339 form: A4

Copyright FCI. FCIconnect.com

CAT. NO. & DIMENSIONS

(NOTE4)	NO. OF CONTACTS (n)	CAT. NO. (NOTE2)	DIMENSIONS (NOTE3)		
			E ± 5	F ± 0.3	G ± 0.1
	4	HFW4R-5/6STE1LF	28.4	24	—
	5	HFW5R-5/6STE1LF	28.4	24	—
	6	HFW6R-5/6STE1LF	28.4	24	—
	7	HFW7R-5/6STE1LF	28.4	24	—
	8	HFW8R-5/6STE1LF	28.4	24	—
	9	HFW9R-5/6STE1LF	28.4	24	—
	10	HFW10R-5/6STE1LF	28.4	24	—
	11	HFW11R-5/6STE1LF	28.4	24	—
	12	HFW12R-5/6STE1LF	28.4	24	—
	13	HFW13R-5/6STE1LF	28.4	24	—
	14	HFW14R-5/6STE1LF	28.4	24	—
	15	HFW15R-5/6STE1LF	36.4	32	28.4
	16	HFW16R-5/6STE1LF	36.4	32	28.4
	17	HFW17R-5/6STE1LF	36.4	32	28.4
	18	HFW18R-5/6STE1LF	36.4	32	28.4
	19	HFW19R-5/6STE1LF	48.4	44	40.4
	20	HFW20R-5/6STE1LF	48.4	44	40.4
	21	HFW21R-5/6STE1LF	48.4	44	40.4
	22	HFW22R-5/6STE1LF	48.4	44	40.4
	23	HFW23R-5/6STE1LF	48.4	44	40.4
	24	HFW24R-5/6STE1LF	48.4	44	40.4
	25	HFW25R-5/6STE1LF	48.4	44	40.4
	26	HFW26R-5/6STE1LF	48.4	44	40.4
	27	HFW27R-5/6STE1LF	48.4	44	40.4
*	28	HFW28R-5/6STE1LF	48.4	44	40.4
*	29	HFW29R-5/6STE1LF	48.4	44	40.4
	30	HFW30R-5/6STE1LF	60.4	56	52.4



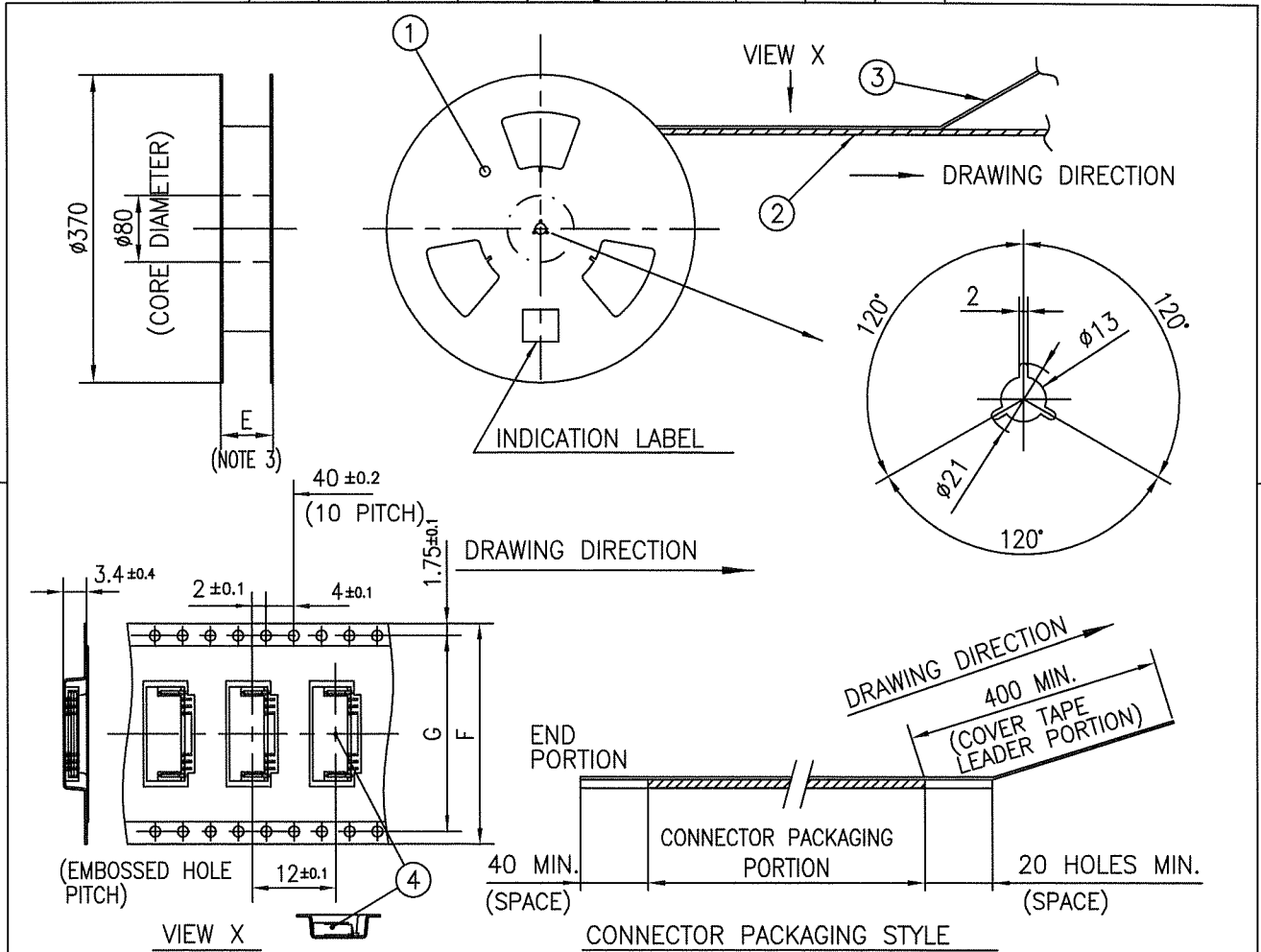
- NOTES
1. THIS PRODUCT IS THE CONNECTOR DESIGNED TO TERMINATE CIC AND COPES WITH AUTOMATIC MOUNTING (SMT).
 2. THIS CATALOG NO. INDICATES PLASTIC TAPE PACKAGED CONNECTOR.
 3. SEE PART DRAWINGS FOR DIMENSIONS E~G.
 4. PLEASE CONSULT US IN CASE OF USING PARTS WITH * MARK.



FCIconnect.com

Copyright FCI.

mat'l. code		surface ⁵⁸ / tolerance		projection		product family		CODE	
		ISO 1302 ✓ / ISO 406 / ISO 1101				58NF		JP	
ltr		ecn no		date		title			
A		J07-0397		7/27/07		CAT. NO. TABLE FOR PLASTIC TAPE PACKAGED 1mm SPACING SMT CONN. (Cat.No. HFW__R-5/6STE1LF)			
		dr		engr		dwg no		sheet 1 of 1	
		H.T		K. Spang		JSA 97342		size A4	
		date		chr		type		Product Customer Drawing	
		7/27/07		B. Dadman					
sheet index		revision		sheet		Rev		A	
1		A		1		A			



PT. NO.	PARTS NAME	CAT. NO.	MATERIAL	Q'TY	NOTE
1	REEL	---	CARDBOARD	1	COLOR:WHITE
2	PLASTIC (EMBOSSSED) TAPE	---	PET	---	COLOR:TRANSPARENCY
3	COVER	---	POLYESTER	---	COLOR:TRANSPARENCY
4	CONNECTOR	HFWR__R-5ST__LF	SEE ATTACHED DWG.	2000	LOWER CONTACT TYPE

NOTES

1. THIS IS PLASTIC TAPE PACKAGED CONNECTOR DESIGNED TO TERMINATE CIC AND COPES WITH AUTOMATIC MOUNTING (SMT).
2. SEE JIS C 0806 (PACKING OF ELECTRONIC COMPONENTS ON CONTINUOUS TAPES (SURFACE MOUNTING DEVICES)) FOR SHAPE AND DIMENSIONS OF PLASTIC (EMBOSSSED) TAPE AND REEL.
3. E DIMENSION IS PORTION OF THE CORE.

mat'l. code		surface 58 / ISO 1302 ✓		tolerance ISO 406 / ISO 1101		projection		product family 58NF		CODE JP	
ltr	ecn no	dr	date	tolerances unless otherwise specified		mm		title			
A	J07-0397	H.T	7/27/07	angles	linear	mm		1mm SPACING SMT CONNECTOR (Cat.No. HFWR__R-5STE1LF)			
				±5'		scale X		dwg no		sheet 1 of 1	size
				dr	engr	chr	appd	JSA 97343			A4
sheet index		revision	A					type Product Customer Drawing			
		sheet	1								Rev A

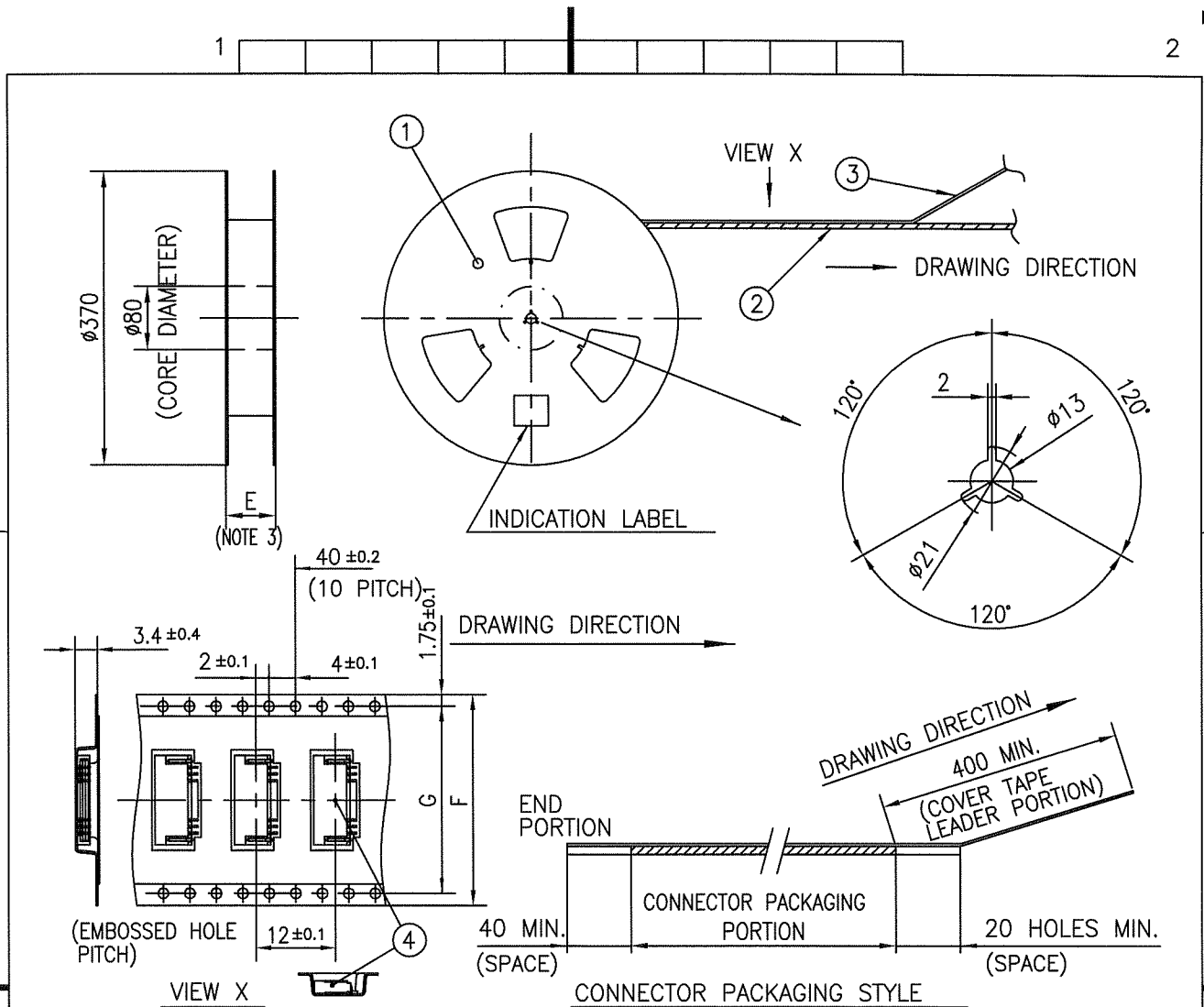
SC-HFWR05 JSA97342 form: A4



FCIconnect.com

Copyright FCI.





PT. NO.	PARTS NAME	CAT. NO.	MATERIAL	Q'TY	NOTE
1	REEL	_____	CARDBOARD	1	COLOR:WHITE
2	PLASTIC (EMBOSSED) TAPE	_____	PET	_____	COLOR:TRANSPARENCY
3	COVER	_____	POLYESTER	_____	COLOR:TRANSPARENCY
4	CONNECTOR	HFWR__R-6ST__LF	SEE ATTACHED DWG.	2000	UPPER CONTACT TYPE

NOTES

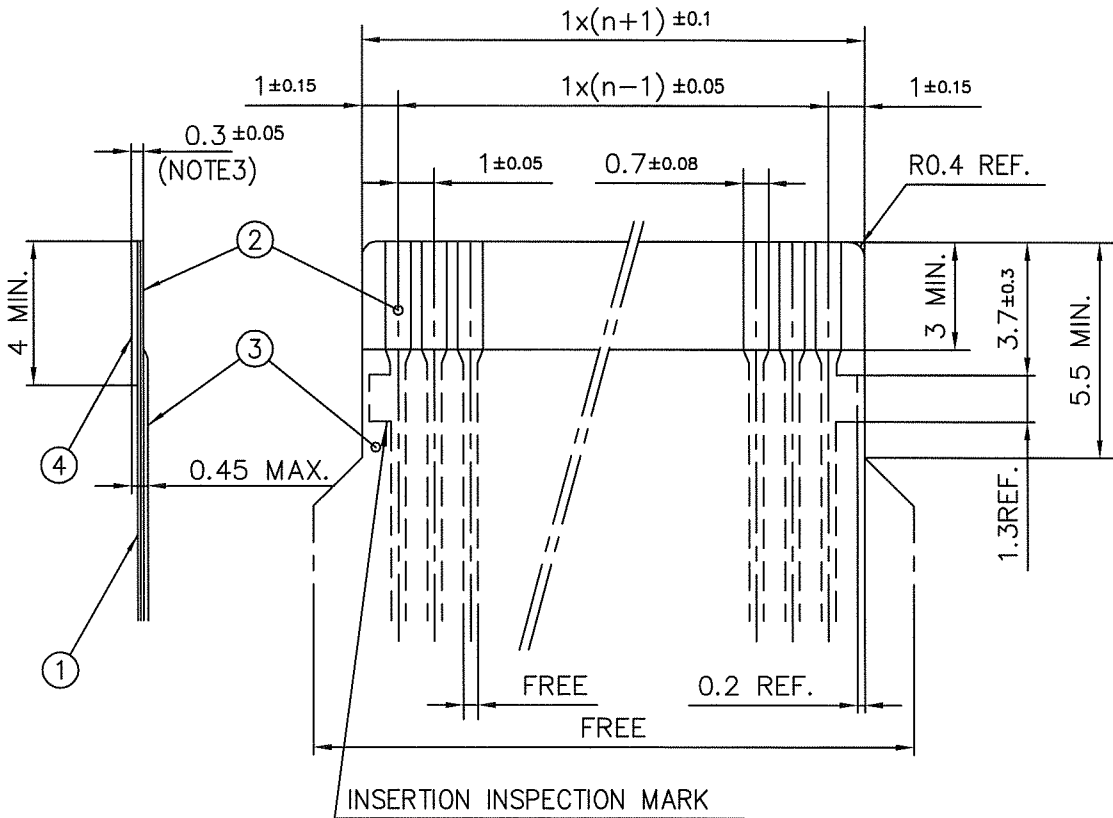
1. THIS IS PLASTIC TAPE PACKAGED CONNECTOR DESIGNED TO TERMINATE CIC AND COPES WITH AUTOMATIC MOUNTING (SMT).
2. SEE JIS C 0806 (PACKING OF ELECTRONIC COMPONENTS ON CONTINUOUS TAPES (SURFACE MOUNTING DEVICES)) FOR SHAPE AND DIMENSIONS OF PLASTIC (EMBOSSED) TAPE AND REEL.
3. E DIMENSION IS PORTION OF THE CORE.

mat'l. code		surface 58 / tolerance ISO 1302 ✓ / ISO 406 / ISO 1101		projection	product family 58NF	CODE JP
ltr	ecn no	dr	date	tolerances unless otherwise specified	title 1mm SPACING SMT CONNECTOR (Cat.No. HFWR__R-6STE1LF)	dwg no JSA 97344
A	J07-0397	H.T	7/27/07	angles ±5° linear		
sheet index		revision A	sheet 1	scale X	sheet 1 of 1	size A4
sheet index		revision A	sheet 1	type Product Customer Drawing		Rev A

SC-HFWR05 JSA97342 form: A4

RECOMMENDED CABLE (CIC)

n : NO. OF CONDUCTORS



PT. NO.	DESCRIPTION	MATERIAL	THICKNESS (μm)	
1	BASE FILM	POLYIMIDE OR POLYESTER OR EQUIVALENT	75	25
2	CONDUCTOR	CARBON PASTE OVER SILVER PASTE	10MIN.	
3	OVERLAY	POLYIMIDE OR POLYESTER OR EQUIVALENT	—	
4	SUPPORTING TAPE	POLYESTER OR POLYIMIDE OR EQUIVALENT	188	250

NOTES

1. NO BURR AT EACH PORTION.
2. NO PEELING IN COMMON USE.
3. TOTAL THICKNESS LIMIT OF EACH MATERIAL (INCLUDING ADHESIVE AGENT) IS SPECIFIED.

mat'l. code				surface $\sqrt{58}$ / tolerance ISO 406 / ISO 1101		projection		product family 58NF		CODE JP	
ltr ecn no dr date				tolerances unless otherwise specified		mm		title			
A J07-0397 H.T 7/27/07				angles linear		mm		RECOMMENDED CABLE (CIC) (Cat. No. HFW__R-5/6__)			
				dr engr chr appd		scale \times		dwg no sheet 1 of 1 size			
				7/27/07 7/27/07 7/27/07 7/27/07		FCJ		JSA 97345 A4			
				S. Oshiro				type Product Customer Drawing			
sheet index		revision sheet		A 1						Rev A	



Компания «ЭлектроПласт» предлагает заключение долгосрочных отношений при поставках импортных электронных компонентов на взаимовыгодных условиях!

Наши преимущества:

- Оперативные поставки широкого спектра электронных компонентов отечественного и импортного производства напрямую от производителей и с крупнейших мировых складов;
- Поставка более 17-ти миллионов наименований электронных компонентов;
- Поставка сложных, дефицитных, либо снятых с производства позиций;
- Оперативные сроки поставки под заказ (от 5 рабочих дней);
- Экспресс доставка в любую точку России;
- Техническая поддержка проекта, помощь в подборе аналогов, поставка прототипов;
- Система менеджмента качества сертифицирована по Международному стандарту ISO 9001;
- Лицензия ФСБ на осуществление работ с использованием сведений, составляющих государственную тайну;
- Поставка специализированных компонентов (Xilinx, Altera, Analog Devices, Intersil, Interpoint, Microsemi, Aeroflex, Peregrine, Syfer, Eurofarad, Texas Instrument, Miteq, Cobham, E2V, MA-COM, Hittite, Mini-Circuits, General Dynamics и др.);

Помимо этого, одним из направлений компании «ЭлектроПласт» является направление «Источники питания». Мы предлагаем Вам помощь Конструкторского отдела:

- Подбор оптимального решения, техническое обоснование при выборе компонента;
- Подбор аналогов;
- Консультации по применению компонента;
- Поставка образцов и прототипов;
- Техническая поддержка проекта;
- Защита от снятия компонента с производства.



Как с нами связаться

Телефон: 8 (812) 309 58 32 (многоканальный)

Факс: 8 (812) 320-02-42

Электронная почта: org@eplast1.ru

Адрес: 198099, г. Санкт-Петербург, ул. Калинина, дом 2, корпус 4, литера А.