

# MC10EP195, MC100EP195

## 3.3V ECL Programmable Delay Chip

The MC10/100EP195 is a Programmable Delay Chip (PDC) designed primarily for clock deskewing and timing adjustment. It provides variable delay of a differential NECL/PECL input transition.

The delay section consists of a programmable matrix of gates and multiplexers as shown in the logic diagram, Figure 3. The delay increment of the EP195 has a digitally selectable resolution of about 10 ps and a net range of up to 10.2 ns. The required delay is selected by the 10 data select inputs D[9:0] values and controlled by the LEN (pin 10). A LOW level on LEN allows a transparent LOAD mode of real time delay values by D[9:0]. A LOW to HIGH transition on LEN will LOCK and HOLD current values present against any subsequent changes in D[10:0]. The approximate delay values for varying tap numbers correlating to D0 (LSB) through D9 (MSB) are shown in Table 6 and Figure 4.

Because the EP195 is designed using a chain of multiplexers it has a fixed minimum delay of 2.2 ns. An additional pin D10 is provided for controlling Pins 14 and 15, CASCADE and  $\overline{\text{CASCADE}}$ , also latched by LEN, in cascading multiple PDCs for increased programmable range. The cascade logic allows full control of multiple PDCs. Switching devices from all “1” states on D[0:9] with SETMAX LOW to all “0” states on D[0:9] with SETMAX HIGH will increase the delay equivalent to “D0”, the minimum increment.

Select input pins D[10:0] may be threshold controlled by combinations of interconnects between  $V_{EF}$  (pin 7) and  $V_{CF}$  (pin 8) for LVCMOS, ECL, or LVTTTL level signals. For LVCMOS input levels, leave  $V_{CF}$  and  $V_{EF}$  open. For ECL operation, short  $V_{CF}$  and  $V_{EF}$  (Pins 7 and 8). For LVTTTL level operation, connect a 1.5 V supply reference to  $V_{CF}$  and leave open  $V_{EF}$  pin. The 1.5 V reference voltage to  $V_{CF}$  pin can be accomplished by placing a 2.2 k $\Omega$  resistor between  $V_{CF}$  and  $V_{EE}$  for a 3.3 V power supply.

The  $V_{BB}$  pin, an internally generated voltage supply, is available to this device only. For single-ended input conditions, the unused differential input is connected to  $V_{BB}$  as a switching reference voltage.  $V_{BB}$  may also rebias AC coupled inputs. When used, decouple  $V_{BB}$  and  $V_{CC}$  via a 0.01  $\mu\text{F}$  capacitor and limit current sourcing or sinking to 0.5 mA. When not used,  $V_{BB}$  should be left open.

The 100 Series contains temperature compensation.

- Maximum Input Clock Frequency >1.2 GHz Typical
- Programmable Range: 0 ns to 10 ns
- Delay Range: 2.2 ns to 12.2 ns
- 10 ps Increments
- PECL Mode Operating Range:  
 $V_{CC} = 3.0 \text{ V to } 3.6 \text{ V with } V_{EE} = 0 \text{ V}$
- NECL Mode Operating Range:  
 $V_{CC} = 0 \text{ V with } V_{EE} = -3.0 \text{ V to } -3.6 \text{ V}$

- Open Input Default State
- Safety Clamp on Inputs
- A Logic High on the  $\overline{\text{EN}}$  Pin Will Force Q to Logic Low
- D[10:0] Can Accept Either ECL, LVCMOS, or LVTTTL Inputs
- $V_{BB}$  Output Reference Voltage
- Pb-Free Packages are Available



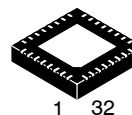
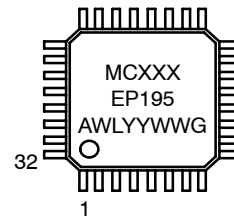
ON Semiconductor®

<http://onsemi.com>

### MARKING DIAGRAM\*



LQFP-32  
FA SUFFIX  
CASE 873A



QFN32  
MN SUFFIX  
CASE 488AM



XXX = 10 or 100  
A = Assembly Location  
WL, L = Wafer Lot  
YY, Y = Year  
WW, W = Work Week  
G or ■ = Pb-Free Package

(Note: Microdot may be in either location)  
\*For additional marking information, refer to Application Note AND8002/D.

### ORDERING INFORMATION

See detailed ordering and shipping information in the package dimensions section on page 17 of this data sheet.

# MC10EP195, MC100EP195

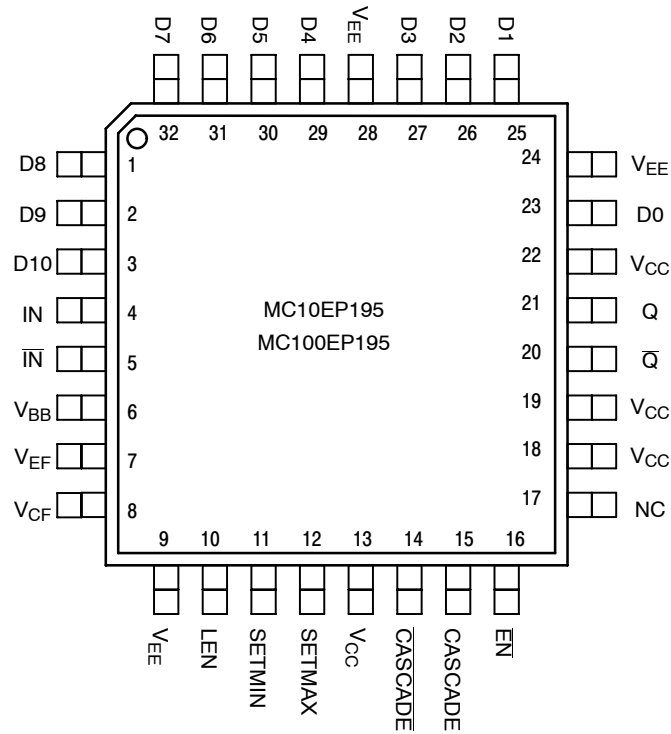


Figure 1. 32-Lead LQFP Pinout (Top View)

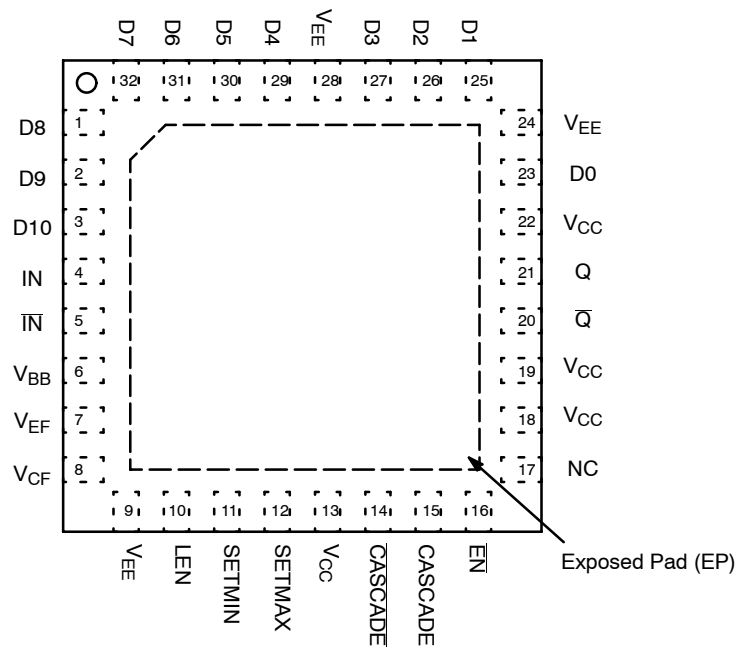


Figure 2. 32-Lead QFN (Top View)

## MC10EP195, MC100EP195

**Table 1. PIN DESCRIPTION**

Pin	Name	I/O	Default State	Description
23, 25, 26, 27, 29, 30, 31, 32, 1, 2	D[0:9]	LVC MOS, LV TTL, ECL Input	Low	Single-Ended Parallel Data Inputs [0:9]. Internal 75 k $\Omega$ to V <sub>EE</sub> . (Note 1)
3	D[10]	LVC MOS, LV TTL, ECL Input	Low	Single-Ended CASCADE/CASCADE Control Input. Internal 75 k $\Omega$ to V <sub>EE</sub> . (Note 1)
4	IN	ECL Input	Low	Noninverted Differential Input. Internal 75 k $\Omega$ to V <sub>EE</sub> .
5	$\overline{\text{IN}}$	ECL Input	High	Inverted Differential Input. Internal 75 k $\Omega$ to V <sub>EE</sub> and 36.5 k $\Omega$ to V <sub>CC</sub> .
6	V <sub>BB</sub>	-	-	ECL Reference Voltage Output
7	V <sub>EF</sub>	-	-	Reference Voltage for ECL Mode Connection
8	V <sub>CF</sub>	-	-	LVC MOS, ECL, OR LV TTL Input Mode Select
9, 24, 28	V <sub>EE</sub>	-	-	Negative Supply Voltage. All V <sub>EE</sub> Pins must be Externally Connected to Power Supply to Guarantee Proper Operation. (Note 2)
13, 18, 19, 22	V <sub>CC</sub>	-	-	Positive Supply Voltage. All V <sub>CC</sub> Pins must be externally Connected to Power Supply to Guarantee Proper Operation. (Note 2)
10	LEN	ECL Input	Low	Single-ended D pins LOAD / HOLD input. Internal 75 k $\Omega$ to V <sub>EE</sub> .
11	SETMIN	ECL Input	Low	Single-ended Minimum Delay Set Logic Input. Internal 75 k $\Omega$ to V <sub>EE</sub> . (Note 1)
12	SETMAX	ECL Input	Low	Single-ended Maximum Delay Set Logic Input. Internal 75 k $\Omega$ to V <sub>EE</sub> . (Note 1)
14	$\overline{\text{CASCADE}}$	ECL Output	-	Inverted Differential Cascade Output for D[10]. Typically Terminated with 50 $\Omega$ to V <sub>TT</sub> = V <sub>CC</sub> - 2 V.
15	CASCADE	ECL Output	-	Noninverted Differential Cascade Output. for D[10] Typically Terminated with 50 $\Omega$ to V <sub>TT</sub> = V <sub>CC</sub> - 2 V.
16	$\overline{\text{EN}}$	ECL Input	Low	Single-ended Output Enable Pin. Internal 75 k $\Omega$ to V <sub>EE</sub> .
17	NC	-	-	No Connect. The NC Pin is Electrically Connected to the Die and "MUST BE" Left Open
21	Q	ECL Output	-	Noninverted Differential Output. Typically Terminated with 50 $\Omega$ to V <sub>TT</sub> = V <sub>CC</sub> - 2 V.
20	$\overline{\text{Q}}$	ECL Output	-	Inverted Differential Output. Typically Terminated with 50 $\Omega$ to V <sub>TT</sub> = V <sub>CC</sub> - 2 V.

1. SETMIN will override SETMAX if both are high. SETMAX and SETMIN will override all D[0:10] inputs.
2. All V<sub>CC</sub> and V<sub>EE</sub> pins must be externally connected to Power Supply to guarantee proper operation.

# MC10EP195, MC100EP195

**Table 2. CONTROL PIN**

Pin	State	Function
EN	LOW (Note 3)	Input Signal is Propagated to the Output
	HIGH	Output Holds Logic Low State
LEN	LOW (Note 3)	Transparent or LOAD mode for real time delay values present on D[0:10].
	HIGH	LOCK and HOLD mode for delay values on D[0:10]; further changes on D[0:10] are not recognized and do not affect delay.
SETMIN	LOW (Note 3)	Output Delay set by D[0:10]
	HIGH	Set Minimum Output Delay
SETMAX	LOW (Note 3)	Output Delay set by D[0:10]
	HIGH	Set Maximum Output Delay
D10	LOW (Note 3)	CASCADE Output LOW, $\overline{\text{CASCADE}}$ Output HIGH
	HIGH	$\overline{\text{CASCADE}}$ Output LOW, CASCADE Output HIGH

3. Internal pulldown resistor will provide a logic LOW if pin is left unconnected.

**Table 3. CONTROL D[0:10] INTERFACE**

$V_{CF}$	$V_{EF}$ Pin (Note 4)	ECL Mode
$V_{CF}$	No Connect	LVC MOS Mode
$V_{CF}$	1.5 V $\pm$ 100 mV	LVTTL Mode (Note 5)

4. Short  $V_{CF}$  (pin 8) and  $V_{EF}$  (pin 7).

5. When Operating in LVTTL Mode, the reference voltage can be provided by connecting an external resistor,  $R_{CF}$  (suggested resistor value is 2.2 k $\Omega$   $\pm$  5%), between  $V_{CF}$  and  $V_{EE}$  pins.

**Table 4. DATA INPUT ALLOWED OPERATING VOLTAGE MODE TABLE**

POWER SUPPLY	CONTROL DATA SELECT INPUTS PINS (D [0:10])			
	LVC MOS	LVTTL	LVPECL	LVNECL
PECL Mode Operating Range	YES	YES	YES	N/A
NECL Mode Operating Range	N/A	N/A	N/A	YES

**Table 5. ATTRIBUTES**

Characteristics	Value	
Internal Input Pulldown Resistor (R1)	75 k $\Omega$	
ESD Protection	Human Body Model	> 2 kV
	Machine Model	> 100 V
	Charged Device Model	> 2 kV
Moisture Sensitivity, Indefinite Time Out of Drypack (Note 6)	Pb Pkg	Pb-Free Pkg
	LQFP-32	Level 2
	QFN-32	Level 1
Flammability Rating Oxygen Index: 28 to 34	UL 94 V-0 @ 0.125 in	
Transistor Count	1217 Devices	
Meets or exceeds JEDEC Spec EIA/JESD78 IC Latchup Test		

6. For additional information, see Application Note AND8003/D.

MC10EP195, MC100EP195

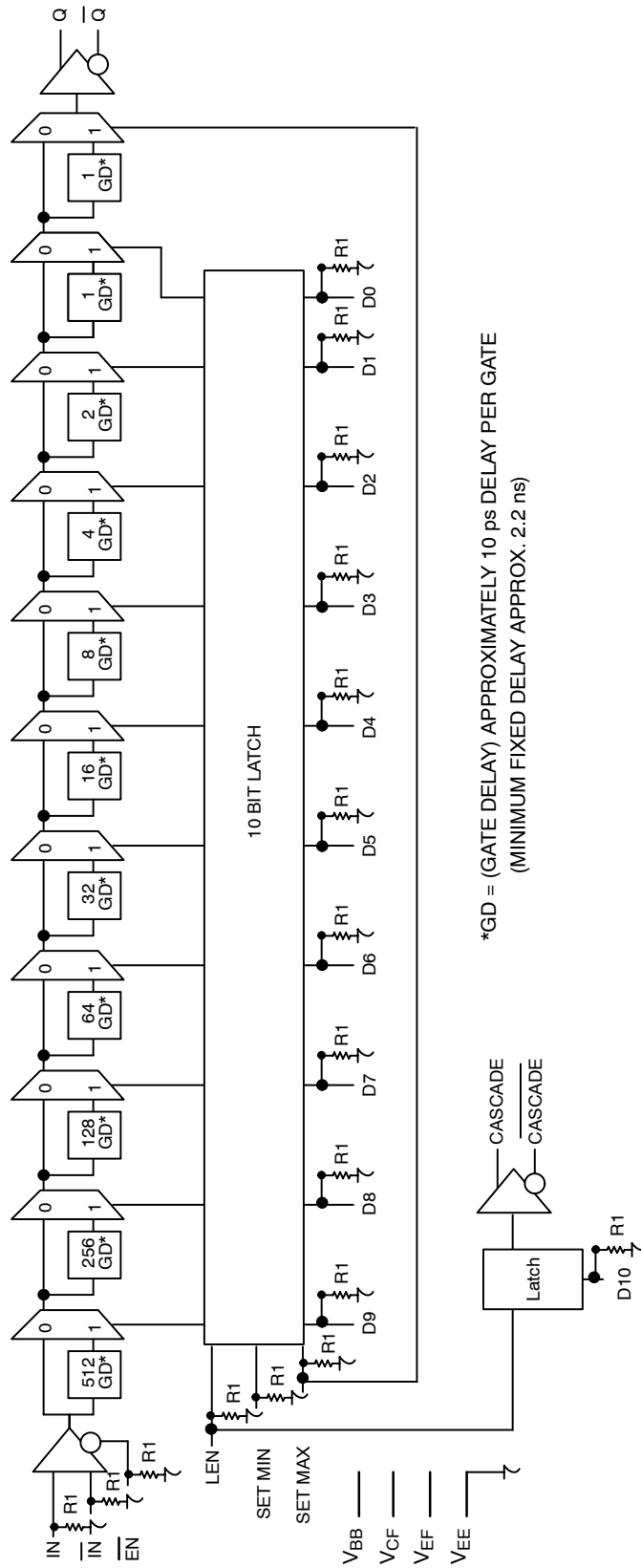


Figure 3. Logic Diagram

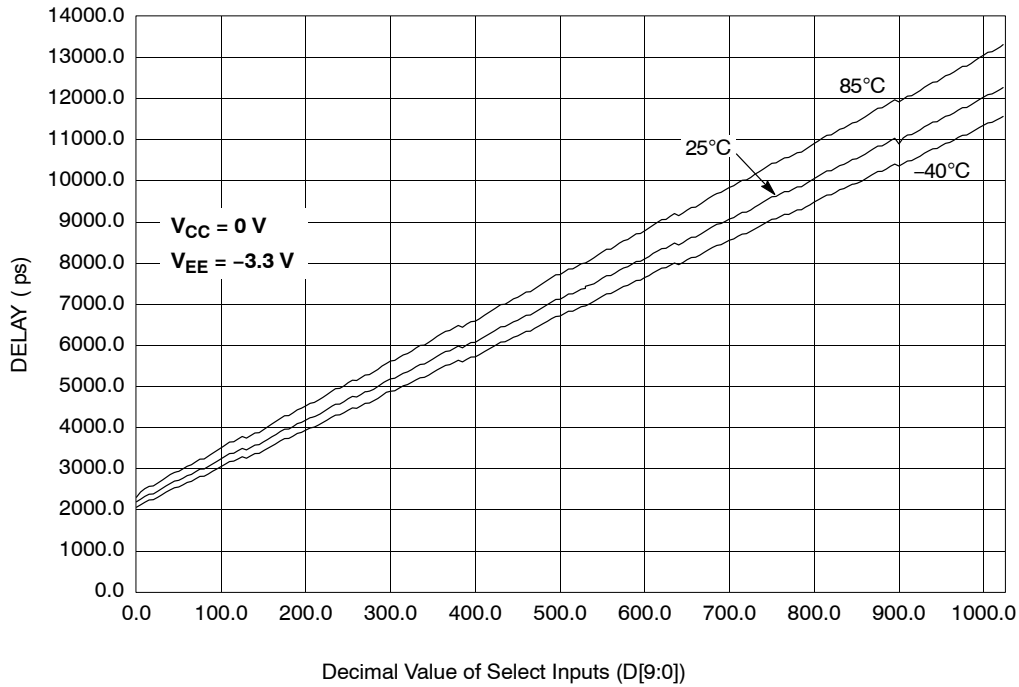
## MC10EP195, MC100EP195

**Table 6. THEORETICAL DELAY VALUES**

D(9:0) Value	SETMIN	SETMAX	Programmable Delay*
XXXXXXXXXX	H	L	0 ps
000000000	L	L	0 ps
000000001	L	L	10 ps
000000010	L	L	20 ps
000000011	L	L	30 ps
000000100	L	L	40 ps
000000101	L	L	50 ps
000000110	L	L	60 ps
000000111	L	L	70 ps
000001000	L	L	80 ps
000010000	L	L	160 ps
000100000	L	L	320 ps
001000000	L	L	640 ps
001000000	L	L	1280 ps
010000000	L	L	2560 ps
100000000	L	L	5120 ps
111111111	L	L	10230 ps
XXXXXXXXXX	L	H	10240 ps

\*Fixed minimum delay not included.

# MC10EP195, MC100EP195



**Figure 4. Measured Delay vs. Select Inputs**

**Table 7. MAXIMUM RATINGS**

Symbol	Parameter	Condition 1	Condition 2	Rating	Unit
$V_{CC}$	Positive Mode Power Supply	$V_{EE} = 0\text{ V}$		6	V
$V_{EE}$	Negative Mode Power Supply	$V_{CC} = 0\text{ V}$		-6	V
$V_I$	Positive Mode Input Voltage Negative Mode Input Voltage	$V_{EE} = 0\text{ V}$ $V_{CC} = 0\text{ V}$	$V_I \leq V_{CC}$ $V_I \geq V_{EE}$	6 -6	V V
$I_{out}$	Output Current	Continuous Surge		50 100	mA mA
$I_{BB}$	$V_{BB}$ Sink/Source			$\pm 0.5$	mA
$T_A$	Operating Temperature Range			-40 to +85	$^{\circ}\text{C}$
$T_{stg}$	Storage Temperature Range			-65 to +150	$^{\circ}\text{C}$
$\theta_{JA}$	Thermal Resistance (Junction-to-Ambient)	0 lfpm 500 lfpm	LQFP-23 LQFP-23	80 55	$^{\circ}\text{C}/\text{W}$ $^{\circ}\text{C}/\text{W}$
$\theta_{JC}$	Thermal Resistance (Junction-to-Case)	Standard Board	LQFP-23	12 to 17	$^{\circ}\text{C}/\text{W}$
$\theta_{JA}$	Thermal Resistance (Junction-to-Ambient)	0 lfpm 500 lfpm	QFN-32 QFN-32	31 27	$^{\circ}\text{C}/\text{W}$ $^{\circ}\text{C}/\text{W}$
$\theta_{JC}$	Thermal Resistance (Junction-to-Case)	2S2P	QFN-32	12	$^{\circ}\text{C}/\text{W}$
$T_{sol}$	Wave Solder	Pb Pb-Free	<2 to 3 sec @ 248 $^{\circ}\text{C}$ <2 to 3 sec @ 260 $^{\circ}\text{C}$	265 265	$^{\circ}\text{C}$

Stresses exceeding Maximum Ratings may damage the device. Maximum Ratings are stress ratings only. Functional operation above the Recommended Operating Conditions is not implied. Extended exposure to stresses above the Recommended Operating Conditions may affect device reliability.

# MC10EP195, MC100EP195

**Table 8. 10EP DC CHARACTERISTICS, PECL  $V_{CC} = 3.3\text{ V}$ ,  $V_{EE} = 0\text{ V}$  (Note 7)**

Symbol	Characteristic	-40°C			25°C			85°C			Unit	
		Min	Typ	Max	Min	Typ	Max	Min	Typ	Max		
$I_{EE}$	Negative Power Supply Current	100	145	175	100	150	180	100	150	180	mA	
$V_{OH}$	Output HIGH Voltage (Note 8)	2165	2290	2415	2230	2355	2480	2290	2415	2540	mV	
$V_{OL}$	Output LOW Voltage (Note 8)	1365	1490	1615	1430	1555	1680	1490	1615	1740	mV	
$V_{IH}$	Input HIGH Voltage (Single-Ended)	LVPECL	2090		2415	2155		2480	2215		2540	mV
		LVC MOS	2000		3300	2000		3300	2000		3300	
		LV TTL	2000		3300	2000		3300	2000		3300	
$V_{IL}$	Input LOW Voltage (Single-Ended)	LVPECL	1365		1690	1430		1755	1490		1815	mV
		LVC MOS	0		800	0		800	0		800	
		LV TTL	0		800	0		800	0		800	
$V_{BB}$	ECL Output Voltage Reference	1790	1890	1990	1855	1955	2055	1915	2015	2115	mV	
$V_{CF}$	LV TTL Mode Input Detect Voltage	1.4	1.5	1.6	1.4	1.5	1.6	1.4	1.5	1.6	V	
$V_{EF}$	Reference Voltage for ECL Mode Connection	1900	2020	2150	1875	2080	2150	1850	2130	2150	mV	
$V_{IHCMR}$	Input HIGH Voltage Common Mode Range (Differential Configuration) (Note 9)	2.0		3.3	2.0		3.3	2.0		3.3	V	
$I_{IH}$	Input HIGH Current (@ $V_{IH}$ )			150			150			150	$\mu\text{A}$	
$I_{IL}$	Input LOW Current (@ $V_{IL}$ )	IN	0.5			0.5			0.5		$\mu\text{A}$	
		$\overline{\text{IN}}$	-150			-150			-150			

NOTE: Device will meet the specifications after thermal equilibrium has been established when mounted in a test socket or printed circuit board with maintained transverse airflow greater than 500 lfm. Electrical parameters are guaranteed only over the declared operating temperature range. Functional operation of the device exceeding these conditions is not implied. Device specification limit values are applied individually under normal operating conditions and not valid simultaneously.

7. Input and output parameters vary 1:1 with  $V_{CC}$ .  $V_{EE}$  can vary +0.3 V to -0.3 V.

8. All loading with 50  $\Omega$  to  $V_{CC} - 2.0\text{ V}$ .

9.  $V_{IHCMR}$  min varies 1:1 with  $V_{EE}$ ,  $V_{IHCMR}$  max varies 1:1 with  $V_{CC}$ . The  $V_{IHCMR}$  range is referenced to the most positive side of the differential input signal.



# MC10EP195, MC100EP195

**Table 9. 10EP DC CHARACTERISTICS, NECL**  $V_{CC} = 0\text{ V}$ ,  $V_{EE} = -3.3\text{ V to } -3.0\text{ V}$  (Note 10)

Symbol	Characteristic	-40°C			25°C			85°C			Unit
		Min	Typ	Max	Min	Typ	Max	Min	Typ	Max	
$I_{EE}$	Negative Power Supply Current	100	145	175	100	150	180	100	150	180	mA
$V_{OH}$	Output HIGH Voltage (Note 11)	-1135	-1010	-885	-1070	-945	-820	-1010	-885	-760	mV
$V_{OL}$	Output LOW Voltage (Note 11)	-1935	-1810	-1685	-1870	-1745	-1620	-1810	-1685	-1560	mV
$V_{IH}$	Input HIGH Voltage (Single-Ended) LVNECL	-1210		-885	-1145		-820	-1085		-760	mV
$V_{IL}$	Input LOW Voltage (Single-Ended) LVNECL	-1935		-1610	-1870		-1545	-1810		-1485	mV
$V_{BB}$	ECL Output Voltage Reference	-1510	-1410	-1310	-1445	-1345	-1245	-1385	-1285	-1185	mV
$V_{EF}$	Reference Voltage for ECL Mode Connection	-1400	-1280	-1250	-1425	-1220	-1250	-1450	-1170	-1250	mV
$V_{IHCMR}$	Input HIGH Voltage Common Mode Range (Differential Configuration) (Note 12)	$V_{EE}+2.0$		0.0	$V_{EE}+2.0$		0.0	$V_{EE}+2.0$		0.0	V
$I_{IH}$	Input HIGH Current (@ $V_{IH}$ )			150			150			150	$\mu\text{A}$
$I_{IL}$	Input LOW Current (@ $V_{IL}$ )										$\mu\text{A}$
		IN	0.5		0.5			0.5			
		$\overline{IN}$	-150		-150			-150			

NOTE: Device will meet the specifications after thermal equilibrium has been established when mounted in a test socket or printed circuit board with maintained transverse airflow greater than 500 lfm. Electrical parameters are guaranteed only over the declared operating temperature range. Functional operation of the device exceeding these conditions is not implied. Device specification limit values are applied individually under normal operating conditions and not valid simultaneously.

10. Input and output parameters vary 1:1 with  $V_{CC}$ .  $V_{EE}$  can vary +0.3 V to -0.3 V.

11. All loading with 50  $\Omega$  to  $V_{CC} - 2.0\text{ V}$ .

12.  $V_{IHCMR}$  min varies 1:1 with  $V_{EE}$ .  $V_{IHCMR}$  max varies 1:1 with  $V_{CC}$ . The  $V_{IHCMR}$  range is referenced to the most positive side of the differential input signal.

# MC10EP195, MC100EP195

**Table 10. 100EP DC CHARACTERISTICS, PECL  $V_{CC} = 3.3\text{ V}$ ,  $V_{EE} = 0\text{ V}$  (Note 13)**

Symbol	Characteristic	-40°C			25°C			85°C			Unit
		Min	Typ	Max	Min	Typ	Max	Min	Typ	Max	
$I_{EE}$	Negative Power Supply Current	100	135	160	100	140	170	100	145	175	mA
$V_{OH}$	Output HIGH Voltage (Note 14)	2155	2280	2405	2155	2280	2405	2155	2280	2405	mV
$V_{OL}$	Output LOW Voltage (Note 14)	1355	1480	1605	1355	1480	1605	1355	1480	1605	mV
$V_{IH}$	Input HIGH Voltage (Single-Ended)										mV
	LVPECL	2075		2420	2075		2420	2075		2420	
	CMOS	2000		3300	2000		3300	2000		3300	
	TTL	2000		3300	2000		3300	2000		3300	
$V_{IL}$	Input LOW Voltage (Single-Ended)										mV
	LVPECL	1355		1675	1490		1675	1490		1675	
	CMOS	0		800	0		800	0		800	
	TTL	0		800	0		800	0		800	
$V_{BB}$	ECL Output Voltage Reference	1775	1875	1975	1775	1875	1975	1775	1875	1975	mV
$V_{CF}$	LVTTTL Mode Input Detect Voltage	1.4	1.5	1.6	1.4	1.5	1.6	1.4	1.5	1.6	V
$V_{EF}$	Reference Voltage for ECL Mode Connection	1900	2020	2150	1875	2080	2150	1850	2130	2150	mV
$V_{IHCMR}$	Input HIGH Voltage Common Mode Range (Differential Configuration) (Note 15)	2.0		3.3	2.0		3.3	2.0		3.3	V
$I_{IH}$	Input HIGH Current (@ $V_{IH}$ )			150			150			150	$\mu\text{A}$
$I_{IL}$	Input LOW Current (@ $V_{IL}$ )										$\mu\text{A}$
	IN	0.5			0.5			0.5			
	IN	-150			-150			-150			

NOTE: Device will meet the specifications after thermal equilibrium has been established when mounted in a test socket or printed circuit board with maintained transverse airflow greater than 500 lfm. Electrical parameters are guaranteed only over the declared operating temperature range. Functional operation of the device exceeding these conditions is not implied. Device specification limit values are applied individually under normal operating conditions and not valid simultaneously.

13. Input and output parameters vary 1:1 with  $V_{CC}$ .  $V_{EE}$  can vary +0.3 V to -0.3 V.

14. All loading with 50  $\Omega$  to  $V_{CC} - 2.0\text{ V}$ .

15.  $V_{IHCMR}$  min varies 1:1 with  $V_{EE}$ .  $V_{IHCMR}$  max varies 1:1 with  $V_{CC}$ . The  $V_{IHCMR}$  range is referenced to the most positive side of the differential input signal.

## MC10EP195, MC100EP195

**Table 11. 100EP DC CHARACTERISTICS, NECL**  $V_{CC} = 0\text{ V}$ ,  $V_{EE} = -3.3\text{ V}$  (Note 16)

Symbol	Characteristic	-40°C			25°C			85°C			Unit
		Min	Typ	Max	Min	Typ	Max	Min	Typ	Max	
$I_{EE}$	Negative Power Supply Current (Note 17)	100	135	160	100	140	170	100	145	175	mA
$V_{OH}$	Output HIGH Voltage (Note 18)	-1145	-1020	-895	-1145	-1020	-895	-1145	-1020	-895	mV
$V_{OL}$	Output LOW Voltage (Note 18)	-1945	-1820	-1695	-1945	-1820	-1695	-1945	-1820	-1695	mV
$V_{IH}$	Input HIGH Voltage (Single-Ended) LVNECL	-1225		-880	-1225		-880	-1225		-880	mV
$V_{IL}$	Input LOW Voltage (Single-Ended) LVNECL	-1945		-1625	-1945		-1625	-1945		-1625	mV
$V_{BB}$	ECL Output Voltage Reference	-1525	-1425	-1325	-1525	-1425	-1325	-1525	-1425	-1325	mV
$V_{EF}$	Reference Voltage for ECL Mode Connection	-1400	-1280	-1250	-1425	-1220	-1250	-1450	-1170	-1250	mV
$V_{IHCMR}$	Input HIGH Voltage Common Mode Range (Differential Configuration) (Note 19)	$V_{EE}+2.0$		0.0	$V_{EE}+2.0$		0.0	$V_{EE}+2.0$		0.0	V
$I_{IH}$	Input HIGH Current (@ $V_{IH}$ )			150			150			150	$\mu\text{A}$
$I_{IL}$	Input LOW Current (@ $V_{IL}$ )	$\overline{\text{IN}}$	0.5 -150		$\overline{\text{IN}}$	0.5 -150		0.5 -150			$\mu\text{A}$

NOTE: Device will meet the specifications after thermal equilibrium has been established when mounted in a test socket or printed circuit board with maintained transverse airflow greater than 500 lfm. Electrical parameters are guaranteed only over the declared operating temperature range. Functional operation of the device exceeding these conditions is not implied. Device specification limit values are applied individually under normal operating conditions and not valid simultaneously.

16. Input and output parameters vary 1:1 with  $V_{CC}$ .  $V_{EE}$  can vary +0.3 V to -0.3 V.

17. Required 500 lfm air flow when using +5 V power supply. For  $(V_{CC} - V_{EE}) > 3.3\text{ V}$ , 5  $\Omega$  to 10  $\Omega$  in line with  $V_{EE}$  required for maximum thermal protection at elevated temperatures. Recommend  $V_{CC} - V_{EE}$  operation at  $\leq 3.8\text{ V}$ .

18. All loading with 50  $\Omega$  to  $V_{CC} - 2.0\text{ V}$ .

19.  $V_{IHCMR}$  min varies 1:1 with  $V_{EE}$ ,  $V_{IHCMR}$  max varies 1:1 with  $V_{CC}$ . The  $V_{IHCMR}$  range is referenced to the most positive side of the differential input signal.

# MC10EP195, MC100EP195

**Table 12. AC CHARACTERISTICS**  $V_{CC} = 0\text{ V}$ ;  $V_{EE} = -3.0\text{ V to }-3.6\text{ V}$  or  $V_{CC} = 3.0\text{ V to }3.6\text{ V}$ ;  $V_{EE} = 0\text{ V}$  (Note 20)

Symbol	Characteristic	-40°C			25°C			85°C			Unit
		Min	Typ	Max	Min	Typ	Max	Min	Typ	Max	
$f_{max}$	Maximum Frequency		1.2			1.2			1.2		GHz
$t_{PLH}$ $t_{PHL}$	Propagation Delay IN to Q; D(0-10) = 0 IN to Q; D(0-10) = 1023 $\overline{EN}$ to Q; D(0-10) = 0 D0 to CASCADE	1650 9500 1600 300	2050 11500 2150 420	2450 13500 2600 500	1800 10000 1800 350	2200 12200 2300 450	2600 14000 2800 550	1950 10800 2000 425	2350 13300 2500 525	2750 15800 3000 625	ps
$t_{RANGE}$	Programmable Range $t_{PD}(\text{max}) - t_{PD}(\text{min})$	7850	9450		8200	10000		8850	10950		ps
$\Delta t$	Step Delay (Note 21) D0 High D1 High D2 High D3 High D4 High D5 High D6 High D7 High D8 High D9 High		13 27 44 90 130 312 590 1100 2250 4500			14 30 47 97 140 335 650 1180 2400 4800			41 100 145 360 690 1300 2650 5300		ps
mono	Monotonicity (Note 27)					TBD					
$t_{SKEW}$	Duty Cycle Skew (Note 22) $ t_{PHL} - t_{PLH} $		25			25			25		ps
$t_s$	Setup Time D to LEN D to IN (Note 23) EN to IN (Note 24)	200 300 300	0 140 150		200 300 300	0 160 170		200 300 300	0 180 180		ps
$t_h$	Hold Time LEN to D IN to $\overline{EN}$ (Note 25)	200 400	60 250		200 400	100 280		200 400	80 300		ps
$t_R$	Release Time $\overline{EN}$ to IN (Note 26) SET MAX to LEN SET MIN to LEN	150 400 350	-25 200 275		150 400 350	-75 250 200		150 400 350	-50 300 225		ps
$t_{jitter}$	RMS Random Clock Jitter @ 1.2 GHz IN to Q; D(0:10) = 0 or SETMIN IN to Q; D(0:10) = 1023 or SETMAX		0.86 0.89			1.16 1.09			1.12 1.02		ps
$V_{PP}$	Input Voltage Swing (Differential Configuration)	150	800	1200	150	800	1200	150	800	1200	mV
$t_r$ $t_f$	Output Rise/Fall Time @ 50 MHz 20-80% (Q) 20-80% (CASCADE)	85 100	100 140	135 200	85 110	110 150	135 200	95 130	125 170	155 220	ps

NOTE: Device will meet the specifications after thermal equilibrium has been established when mounted in a test socket or printed circuit board with maintained transverse airflow greater than 500 lfm. Electrical parameters are guaranteed only over the declared operating temperature range. Functional operation of the device exceeding these conditions is not implied. Device specification limit values are applied individually under normal operating conditions and not valid simultaneously.

20. Measured using a 750 mV source, 50% duty cycle clock source. All loading with 50  $\Omega$  to  $V_{CC} - 2.0\text{ V}$ .

21. Specification limits represent the amount of delay added with the assertion of each individual delay control pin. The various combinations of asserted delay control inputs will typically realize D0 resolution steps across the specified programmable range.

22. Duty cycle skew guaranteed only for differential operation measured from the cross point of the input to the cross point of the output.

23. This setup time defines the amount of time prior to the input signal the delay tap of the device must be set.

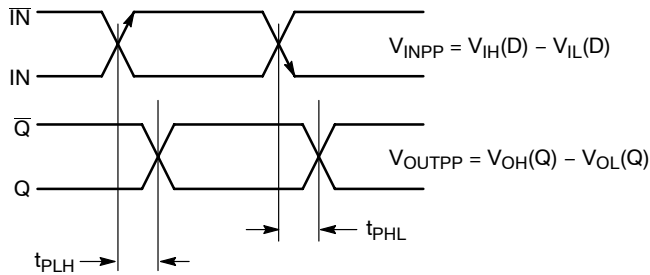
24. This setup time is the minimum time that  $\overline{EN}$  must be asserted prior to the next transition of IN/ $\overline{IN}$  to prevent an output response greater than  $\pm 75\text{ mV}$  to that IN/ $\overline{IN}$  transition.

25. This hold time is the minimum time that  $\overline{EN}$  must remain asserted after a negative going IN or positive going  $\overline{IN}$  to prevent an output response greater than  $\pm 75\text{ mV}$  to that IN/ $\overline{IN}$  transition.

26. This release time is the minimum time that  $\overline{EN}$  must be deasserted prior to the next IN/ $\overline{IN}$  transition to ensure an output response that meets the specified IN to Q propagation delay and transition times.

27. The monotonicity indicates the increasing delay value for each binary count increment on the control inputs D[9:0].

## MC10EP195, MC100EP195

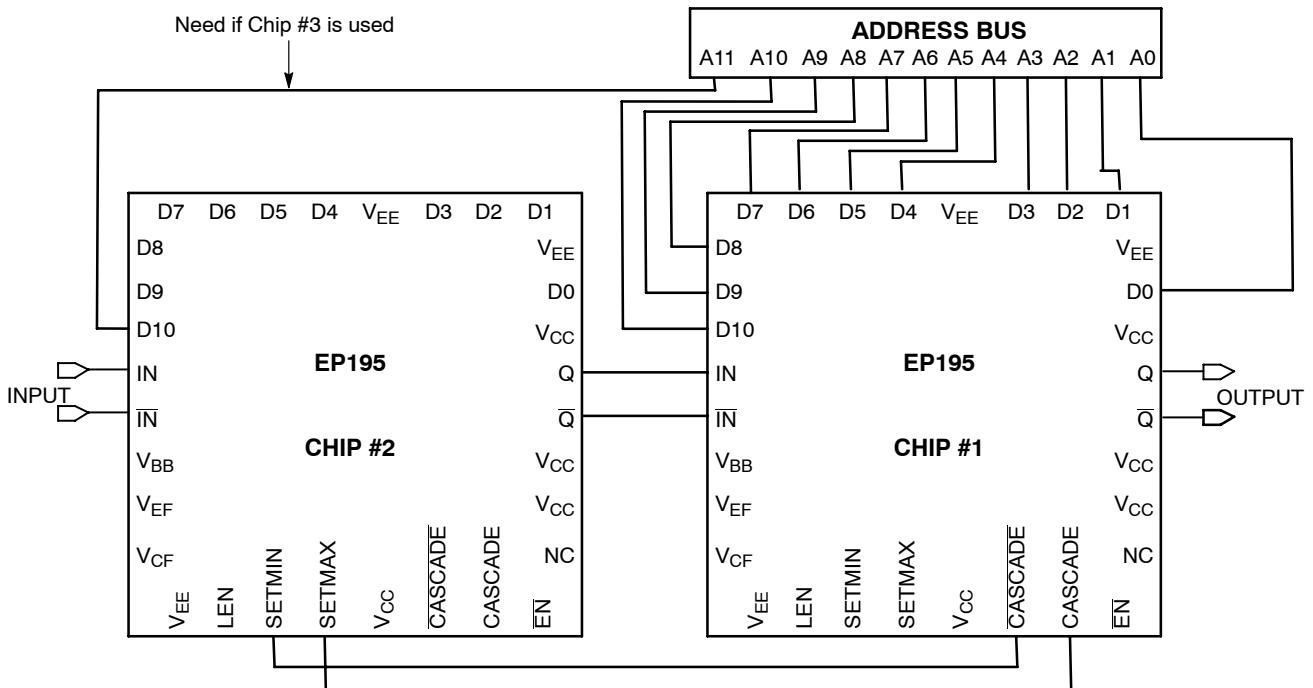


**Figure 5. AC Reference Measurement**

### Cascading Multiple EP195s

To increase the programmable range of the EP195, internal cascade circuitry has been included. This circuitry allows for the cascading of multiple EP195s without the need for any external gating. Furthermore, this capability requires only one more address line per added EP195. Obviously, cascading multiple programmable delay chips will result in a larger programmable range; however, this increase is at the expense of a longer minimum delay.

Figure 6 illustrates the interconnect scheme for cascading two EP195s. As can be seen, this scheme can easily be expanded for larger EP195 chains. The D10 input of the EP195 is the CASCADE control pin. With the interconnect scheme of Figure 6 when D10 is asserted, it signals the need for a larger programmable range than is achievable with a single device and switches output pin CASCADE HIGH and pin CASCADE LOW. The A11 address can be added to generate a cascade output for the next EP195. For a 2-device configuration, A11 is not required.



**Figure 6. Cascading Interconnect Architecture**

## MC10EP195, MC100EP195

An expansion of the latch section of the block diagram is pictured in Figure 7. Use of this diagram will simplify the explanation of how the cascade circuitry works. When D10 of chip #1 in Figure 6 is LOW this device's CASCADE output will also be low while the CASCADE output will be high. In this condition the SET MIN pin of chip #2 will be asserted HIGH and thus all of the latches of chip #2 will be reset and the device will be set at its minimum delay.

Chip #1, on the other hand, will have both SET MIN and SET MAX deasserted so that its delay will be controlled entirely by the address bus A0—A9. If the delay needed is greater than can be achieved with 1023 gate delays

(111111111 on the A0—A9 address bus) D10 will be asserted to signal the need to cascade the delay to the next EP195 device. When D10 is asserted, the SET MIN pin of chip #2 will be deasserted and SET MAX pin asserted resulting in the device delay to be the maximum delay. Table 13 shows the delay time of two EP195 chips in cascade.

To expand this cascading scheme to more devices, one simply needs to connect the D10 pin from the next chip to the address bus and CASCADE outputs to the next chip in the same manner as pictured in Figure 6. The only addition to the logic is the increase of one line to the address bus for cascade control of the second programmable delay chip.

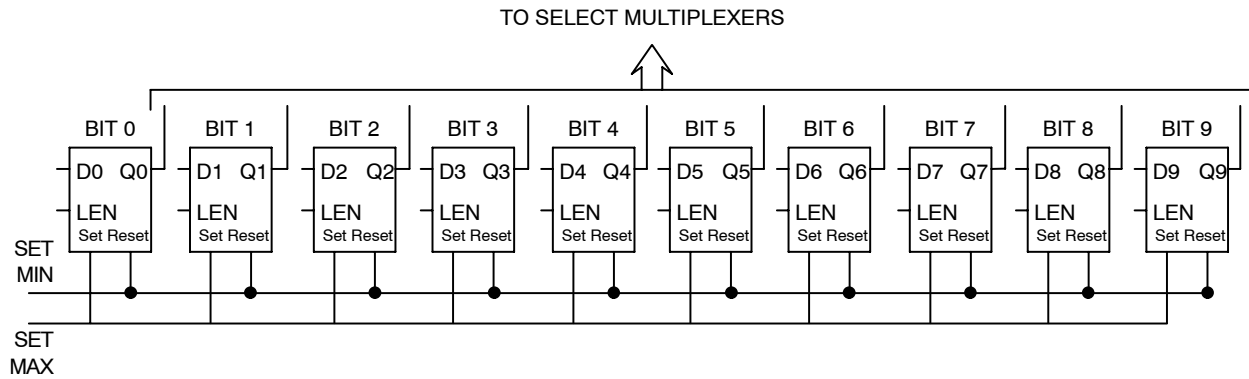


Figure 7. Expansion of the Latch Section of the EP195 Block Diagram

## MC10EP195, MC100EP195

**Table 13. Delay Value of Two EP195 Cascaded**

VARIABLE INPUT TO CHIP #1 AND SETMIN FOR CHIP #2												
INPUT FOR CHIP #1											Delay Value	Total Delay Value
D10	D9	D8	D7	D6	D5	D4	D3	D2	D1	D0		
0	0	0	0	0	0	0	0	0	0	0	0 ps	4400 ps
0	0	0	0	0	0	0	0	0	0	1	10 ps	4410 ps
0	0	0	0	0	0	0	0	0	1	0	20 ps	4420 ps
0	0	0	0	0	0	0	0	0	1	1	30 ps	4430 ps
0	0	0	0	0	0	0	0	1	0	0	40 ps	4440 ps
0	0	0	0	0	0	0	0	1	0	1	50 ps	4450 ps
0	0	0	0	0	0	0	0	1	1	0	60 ps	4460 ps
0	0	0	0	0	0	0	0	1	1	1	70 ps	4470 ps
0	0	0	0	0	0	0	1	0	0	0	80 ps	4480 ps
0	0	0	0	0	0	1	0	0	0	0	160 ps	4560 ps
0	0	0	0	0	1	0	0	0	0	0	220 ps	4720 ps
0	0	0	0	1	0	0	0	0	0	0	640 ps	5040 ps
0	0	0	1	0	0	0	0	0	0	0	1280 ps	5680 ps
0	0	1	0	0	0	0	0	0	0	0	2560 ps	6960 ps
0	1	0	0	0	0	0	0	0	0	0	5120 ps	9520 ps
0	1	1	1	1	1	1	1	1	1	1	10230 ps	14630 ps

VARIABLE INPUT TO CHIP #1 AND SETMAX FOR CHIP #2												
INPUT FOR CHIP #1											Delay Value	Total Delay Value
D10	D9	D8	D7	D6	D5	D4	D3	D2	D1	D0		
1	0	0	0	0	0	0	0	0	0	0	10240 ps	14640 ps
1	0	0	0	0	0	0	0	0	0	1	10250 ps	14650 ps
1	0	0	0	0	0	0	0	0	1	0	10260 ps	14660 ps
1	0	0	0	0	0	0	0	0	1	1	10270 ps	14670 ps
1	0	0	0	0	0	0	0	1	0	0	10280 ps	14680 ps
1	0	0	0	0	0	0	0	1	0	1	10290 ps	14690 ps
1	0	0	0	0	0	0	0	1	1	0	10300 ps	14700 ps
1	0	0	0	0	0	0	0	1	1	1	10310 ps	14710 ps
1	0	0	0	0	0	0	1	0	0	0	10320 ps	14720 ps
1	0	0	0	0	0	1	0	0	0	0	10400 ps	14800 ps
1	0	0	0	0	1	0	0	0	0	0	10560 ps	14960 ps
1	0	0	0	1	0	0	0	0	0	0	10880 ps	15280 ps
1	0	0	1	0	0	0	0	0	0	0	11520 ps	15920 ps
1	0	1	0	0	0	0	0	0	0	0	12800 ps	17200 ps
1	1	0	0	0	0	0	0	0	0	0	15360 ps	19760 ps
1	1	1	1	1	1	1	1	1	1	1	20470 ps	24870 ps

## MC10EP195, MC100EP195

### Multi-Channel Deskewing

The most practical application for EP195 is in multiple channel delay matching. Slight differences in impedance and cable length can create large timing skews within a high-speed system. To deskew multiple signal channels, each channel can

be sent through each EP195 as shown in Figure 8. One signal channel can be used as reference and the other EP195s can be used to adjust the delay to eliminate the timing skews. Nearly any high-speed system can be fine-tuned (as small as 10 ps) to reduce the skew to extremely tight tolerances.

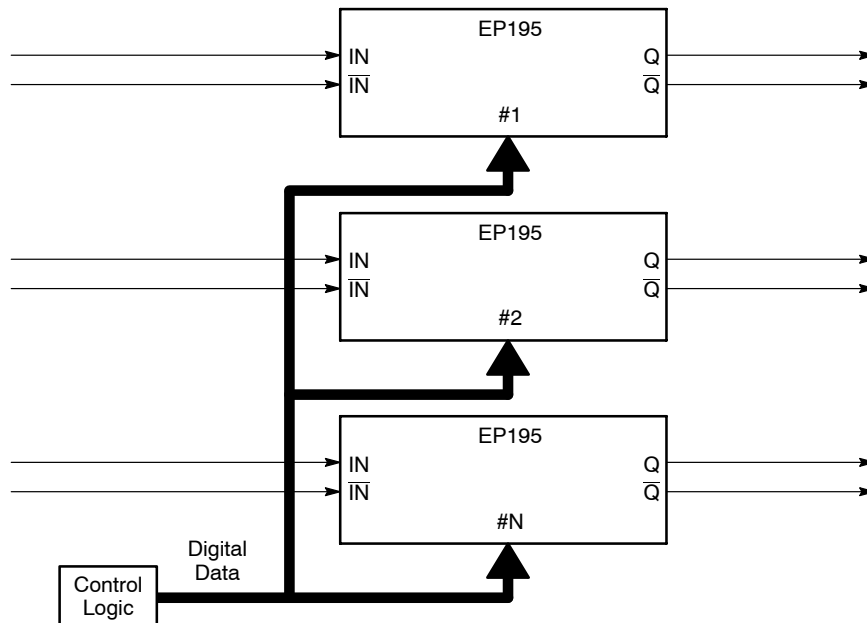


Figure 8. Multiple Channel Deskewing Diagram

### Measure Unknown High Speed Device Delays

EP195s provide a possible solution to measure the unknown delay of a device with a high degree of precision. By combining two EP195s and EP31 as shown in Figure 9, the delay can be measured. The first EP195 can be set to SETMIN and its output is used to drive the unknown delay device, which in turn drives the input of a D flip-flop of EP31. The second EP195 is triggered along with the first EP195 and its output provides a clock signal for EP31. The programmed delay of the second EP195 is varied to detect the output edge from the unknown delay device.

If the programmed delay through the second EP195 is too long, the flip-flop output will be at logic high. On the other hand, if the programmed delay through the second EP195 is too short, the flip-flop output will be at a logic low. If the programmed delay is correctly fine-tuned in the second EP195, the flip-flop will bounce between logic high and logic low. The digital code in the second EP195 can be directly correlated into an accurate device delay.

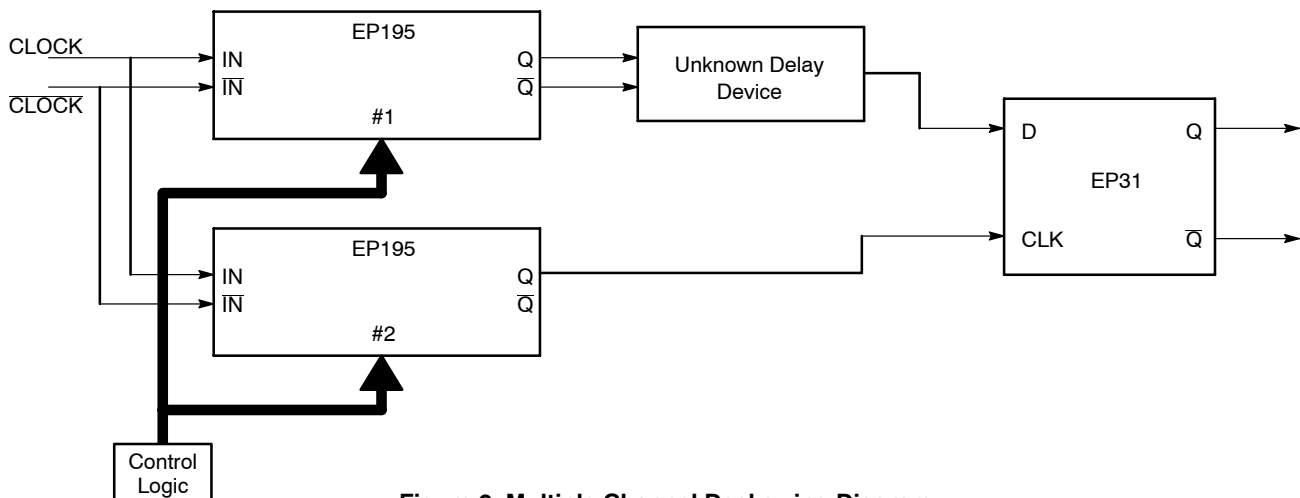
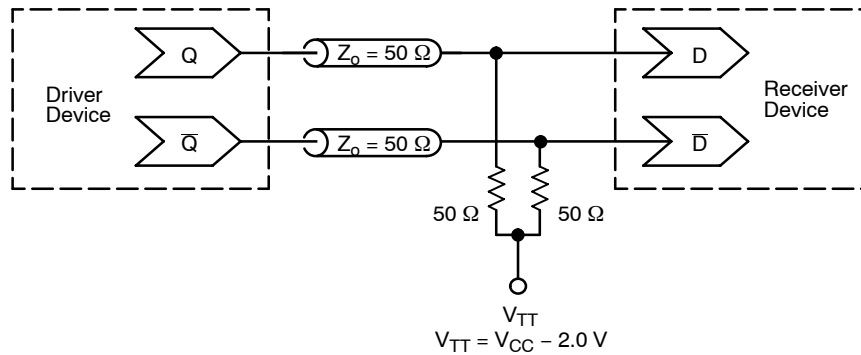


Figure 9. Multiple Channel Deskewing Diagram



## MC10EP195, MC100EP195



**Figure 10. Typical Termination for Output Driver and Device Evaluation  
(See Application Note AND8020/D – Termination of ECL Logic Devices.)**

### ORDERING INFORMATION

Device	Package	Shipping <sup>†</sup>
MC10EP195FA	LQFP-32	250 Units / Tray
MC10EP195FAG	LQFP-32 (Pb-Free)	250 Units / Tray
MC10EP195FAR2	LQFP-32	2000 / Tape & Reel
MC10EP195FAR2G	LQFP-32 (Pb-Free)	2000 / Tape & Reel
MC10EP195MNG	QFN-32 (Pb-Free)	74 Units / Rail
MC10EP195MNR4G	QFN-32 (Pb-Free)	1000 / Tape & Reel
MC100EP195FA	LQFP-32	250 Units / Tray
MC100EP195FAG	LQFP-32 (Pb-Free)	250 Units / Tray
MC100EP195FAR2	LQFP-32	2000 / Tape & Reel
MC100EP195FAR2G	LQFP-32 (Pb-Free)	2000 / Tape & Reel
MC100EP195MNG	QFN-32 (Pb-Free)	74 Units / Rail
MC100EP195MNR4G	QFN-32 (Pb-Free)	1000 / Tape & Reel

<sup>†</sup>For information on tape and reel specifications, including part orientation and tape sizes, please refer to our Tape and Reel Packaging Specifications Brochure, BRD8011/D.

## MC10EP195, MC100EP195

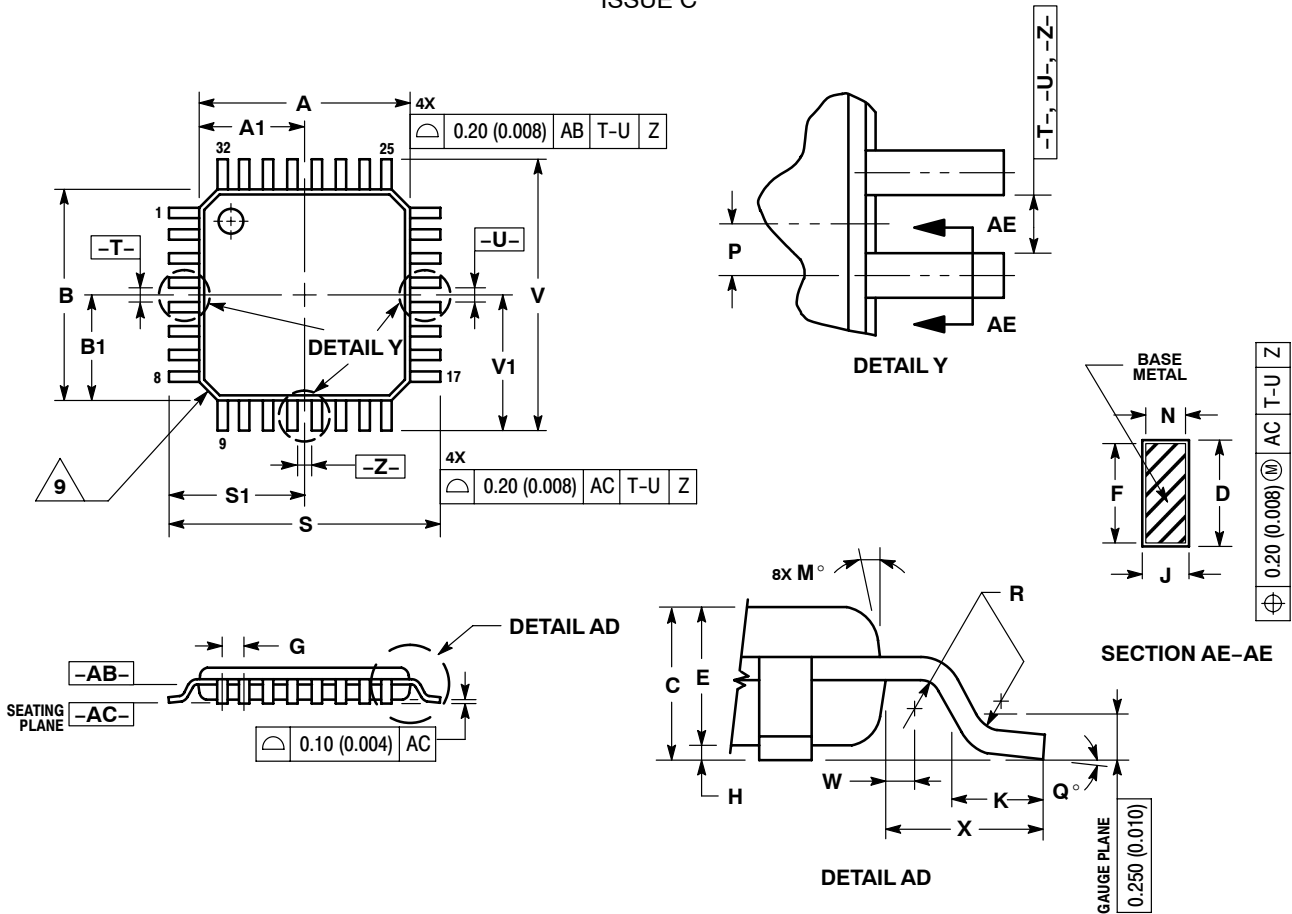
### Resource Reference of Application Notes

- AN1405/D** – ECL Clock Distribution Techniques
- AN1406/D** – Designing with PECL (ECL at +5.0 V)
- AN1503/D** – ECLinPS™ I/O SPiCE Modeling Kit
- AN1504/D** – Metastability and the ECLinPS Family
- AN1568/D** – Interfacing Between LVDS and ECL
- AN1672/D** – The ECL Translator Guide
- AND8001/D** – Odd Number Counters Design
- AND8002/D** – Marking and Date Codes
- AND8020/D** – Termination of ECL Logic Devices
- AND8066/D** – Interfacing with ECLinPS
- AND8090/D** – AC Characteristics of ECL Devices

# MC10EP195, MC100EP195

## PACKAGE DIMENSIONS

32 LEAD LQFP  
CASE 873A-02  
ISSUE C



### NOTES:

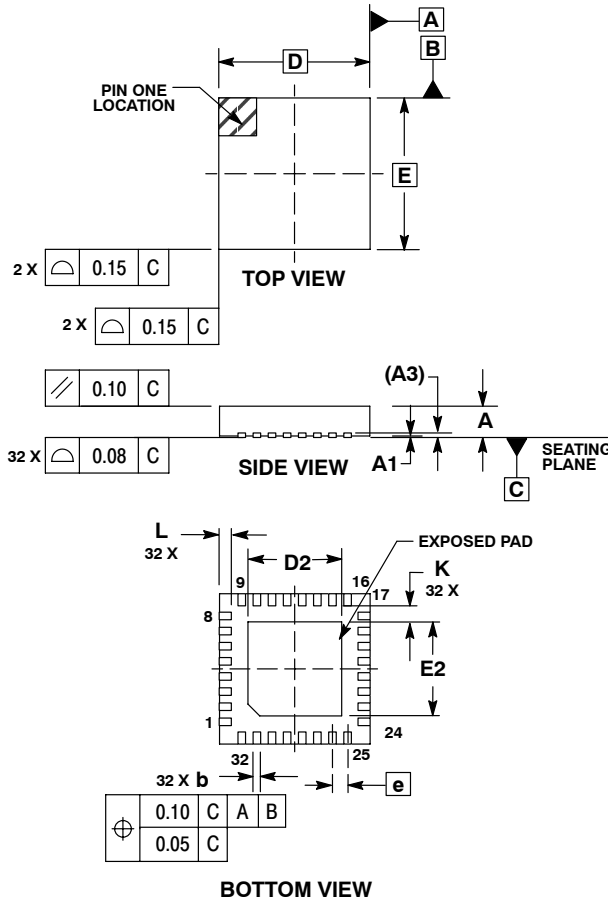
- DIMENSIONING AND TOLERANCING PER ANSI Y14.5M, 1982.
- CONTROLLING DIMENSION: MILLIMETER.
- DATUM PLANE -AB- IS LOCATED AT BOTTOM OF LEAD AND IS COINCIDENT WITH THE LEAD WHERE THE LEAD EXITS THE PLASTIC BODY AT THE BOTTOM OF THE PARTING LINE.
- DATUMS -T-, -U-, AND -Z- TO BE DETERMINED AT DATUM PLANE -AB-.
- DIMENSIONS S AND V TO BE DETERMINED AT SEATING PLANE -AC-.
- DIMENSIONS A AND B DO NOT INCLUDE MOLD PROTRUSION. ALLOWABLE PROTRUSION IS 0.250 (0.010) PER SIDE. DIMENSIONS A AND B DO INCLUDE MOLD MISMATCH AND ARE DETERMINED AT DATUM PLANE -AB-.
- DIMENSION D DOES NOT INCLUDE DAMBAR PROTRUSION. DAMBAR PROTRUSION SHALL NOT CAUSE THE D DIMENSION TO EXCEED 0.520 (0.020).
- MINIMUM SOLDER PLATE THICKNESS SHALL BE 0.0076 (0.0003).
- EXACT SHAPE OF EACH CORNER MAY VARY FROM DEPICTION.

DIM	MILLIMETERS		INCHES	
	MIN	MAX	MIN	MAX
A	7.000	BSC	0.276	BSC
A1	3.500	BSC	0.138	BSC
B	7.000	BSC	0.276	BSC
B1	3.500	BSC	0.138	BSC
C	1.400	1.600	0.055	0.063
D	0.300	0.450	0.012	0.018
E	1.350	1.450	0.053	0.057
F	0.300	0.400	0.012	0.016
G	0.800	BSC	0.031	BSC
H	0.050	0.150	0.002	0.006
J	0.090	0.200	0.004	0.008
K	0.450	0.750	0.018	0.030
M	12°	REF	12°	REF
N	0.090	0.160	0.004	0.006
P	0.400	BSC	0.016	BSC
Q	1°	5°	1°	5°
R	0.150	0.250	0.006	0.010
S	9.000	BSC	0.354	BSC
S1	4.500	BSC	0.177	BSC
V	9.000	BSC	0.354	BSC
V1	4.500	BSC	0.177	BSC
W	0.200	REF	0.008	REF
X	1.000	REF	0.039	REF

# MC10EP195, MC100EP195

## PACKAGE DIMENSIONS

QFN32 5\*5\*1 0.5 P  
CASE 488AM-01  
ISSUE 0

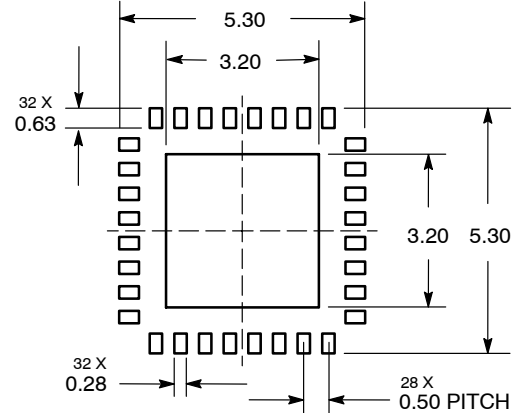


### NOTES:

1. DIMENSIONS AND TOLERANCING PER ASME Y14.5M, 1994.
2. CONTROLLING DIMENSION: MILLIMETERS.
3. DIMENSION b APPLIES TO PLATED TERMINAL AND IS MEASURED BETWEEN 0.25 AND 0.30 MM TERMINAL.
4. COPLANARITY APPLIES TO THE EXPOSED PAD AS WELL AS THE TERMINALS.

MILLIMETERS			
DIM	MIN	NOM	MAX
A	0.800	0.900	1.000
A1	0.000	0.025	0.050
A3	0.200 REF		
b	0.180	0.250	0.300
D	5.00 BSC		
D2	2.950	3.100	3.250
E	5.00 BSC		
E2	2.950	3.100	3.250
e	0.500 BSC		
K	0.200	---	---
L	0.300	0.400	0.500

### SOLDERING FOOTPRINT\*



DIMENSIONS: MILLIMETERS

\*For additional information on our Pb-Free strategy and soldering details, please download the ON Semiconductor Soldering and Mounting Techniques Reference Manual, SOLDERRM/D.

ECLinPS is a trademark of Semiconductor Components Industries, LLC.

ON Semiconductor and are registered trademarks of Semiconductor Components Industries, LLC (SCILLC). SCILLC reserves the right to make changes without further notice to any products herein. SCILLC makes no warranty, representation or guarantee regarding the suitability of its products for any particular purpose, nor does SCILLC assume any liability arising out of the application or use of any product or circuit, and specifically disclaims any and all liability, including without limitation special, consequential or incidental damages. "Typical" parameters which may be provided in SCILLC data sheets and/or specifications can and do vary in different applications and actual performance may vary over time. All operating parameters, including "Typicals" must be validated for each customer application by customer's technical experts. SCILLC does not convey any license under its patent rights nor the rights of others. SCILLC products are not designed, intended, or authorized for use as components in systems intended for surgical implant into the body, or other applications intended to support or sustain life, or for any other application in which the failure of the SCILLC product could create a situation where personal injury or death may occur. Should Buyer purchase or use SCILLC products for any such unintended or unauthorized application, Buyer shall indemnify and hold SCILLC and its officers, employees, subsidiaries, affiliates, and distributors harmless against all claims, costs, damages, and expenses, and reasonable attorney fees arising out of, directly or indirectly, any claim of personal injury or death associated with such unintended or unauthorized use, even if such claim alleges that SCILLC was negligent regarding the design or manufacture of the part. SCILLC is an Equal Opportunity/Affirmative Action Employer. This literature is subject to all applicable copyright laws and is not for resale in any manner.

### PUBLICATION ORDERING INFORMATION

**LITERATURE FULFILLMENT:**  
Literature Distribution Center for ON Semiconductor  
P.O. Box 5163, Denver, Colorado 80217 USA  
Phone: 303-675-2175 or 800-344-3860 Toll Free USA/Canada  
Fax: 303-675-2176 or 800-344-3867 Toll Free USA/Canada  
Email: orderlit@onsemi.com

**N. American Technical Support:** 800-282-9855 Toll Free  
USA/Canada  
**Europe, Middle East and Africa Technical Support:**  
Phone: 421 33 790 2910  
**Japan Customer Focus Center**  
Phone: 81-3-5773-3850

**ON Semiconductor Website:** [www.onsemi.com](http://www.onsemi.com)  
**Order Literature:** <http://www.onsemi.com/orderlit>  
For additional information, please contact your local Sales Representative

MC10EP195/D



Компания «ЭлектроПласт» предлагает заключение долгосрочных отношений при поставках импортных электронных компонентов на взаимовыгодных условиях!

Наши преимущества:

- Оперативные поставки широкого спектра электронных компонентов отечественного и импортного производства напрямую от производителей и с крупнейших мировых складов;
- Поставка более 17-ти миллионов наименований электронных компонентов;
- Поставка сложных, дефицитных, либо снятых с производства позиций;
- Оперативные сроки поставки под заказ (от 5 рабочих дней);
- Экспресс доставка в любую точку России;
- Техническая поддержка проекта, помощь в подборе аналогов, поставка прототипов;
- Система менеджмента качества сертифицирована по Международному стандарту ISO 9001;
- Лицензия ФСБ на осуществление работ с использованием сведений, составляющих государственную тайну;
- Поставка специализированных компонентов (Xilinx, Altera, Analog Devices, Intersil, Interpoint, Microsemi, Aeroflex, Peregrine, Syfer, Eurofarad, Texas Instrument, Miteq, Cobham, E2V, MA-COM, Hittite, Mini-Circuits, General Dynamics и др.);

Помимо этого, одним из направлений компании «ЭлектроПласт» является направление «Источники питания». Мы предлагаем Вам помощь Конструкторского отдела:

- Подбор оптимального решения, техническое обоснование при выборе компонента;
- Подбор аналогов;
- Консультации по применению компонента;
- Поставка образцов и прототипов;
- Техническая поддержка проекта;
- Защита от снятия компонента с производства.



#### Как с нами связаться

**Телефон:** 8 (812) 309 58 32 (многоканальный)

**Факс:** 8 (812) 320-02-42

**Электронная почта:** [org@eplast1.ru](mailto:org@eplast1.ru)

**Адрес:** 198099, г. Санкт-Петербург, ул. Калинина, дом 2, корпус 4, литера А.