

List of "SFW__R-3/4STE1HLF" customer document

DOCUMENT NO.	LIST
GS-12-0986	SPEC.
10118875	CAT.NO.TABLE FOR 1mm SPACING SMT CONNECTOR (SFW__R-3/4ST__HLF)
10118875	1mm SPACING SMT CONNECTOR (SFW__R-3ST__HLF)
10118875	1mm SPACING SMT CONNECTOR (SFW__R-4ST__HLF)
10118875	CAT.NO.TABLE FOR PLASTIC TAPE PACKAGED 1mm SPACING SMT CONNECTOR (SFW__R-3/4STE1HLF)
10118875	PLASTIC TAPE PACKAGED 1mm SPACING SMT CONNECTOR (SFW__R-3STE1HLF)
10118875	PLASTIC TAPE PACKAGED 1mm SPACING SMT CONNECTOR (SFW__R-4STE1HLF)
10118875	RECOMMENDED CABLE (FPC) (SFW__R-3/4ST__)
10118875	RECOMMENDED CABLE (FFC) (SFW__R-3/4ST__)
GS-20-130	HANDLING PROCEDURES



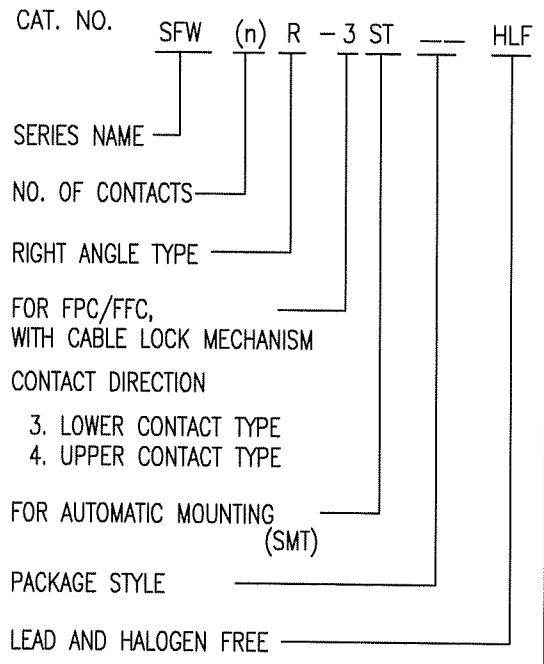
FCIconnect.com

Copyright FCI.

mat'l. code		-		surface 58 / ISO 1302		tolerance ISO 406 / ISO 1101		projection		product family 58RF		CODE JP	
ltr		ecn no		dr		date		tolerances unless otherwise specified		title		1mm SPACING FPC CONNECTOR DOCUMENT LIST (Cat. No. : SFW__R-3/4STE1HLF)	
A		J11-0174		S.W		2011-08-10		angles linear		mm		scale X	
				dr		S.W. 2011-8-10		FCI		dwg no		sheet 1 of 9 size A4	
				enr		S.W. 2011-8-10				10118875			
				chr		S.W. 2011-8-10				type		Product Customer Drawing	
				appd		M.W. Aug 11/11							
sheet index		revision sheet		A		A		A		A		A	
		1		2		3		4		5		6	
												Rev. A	

CAT. NO. & DIMENSIONS

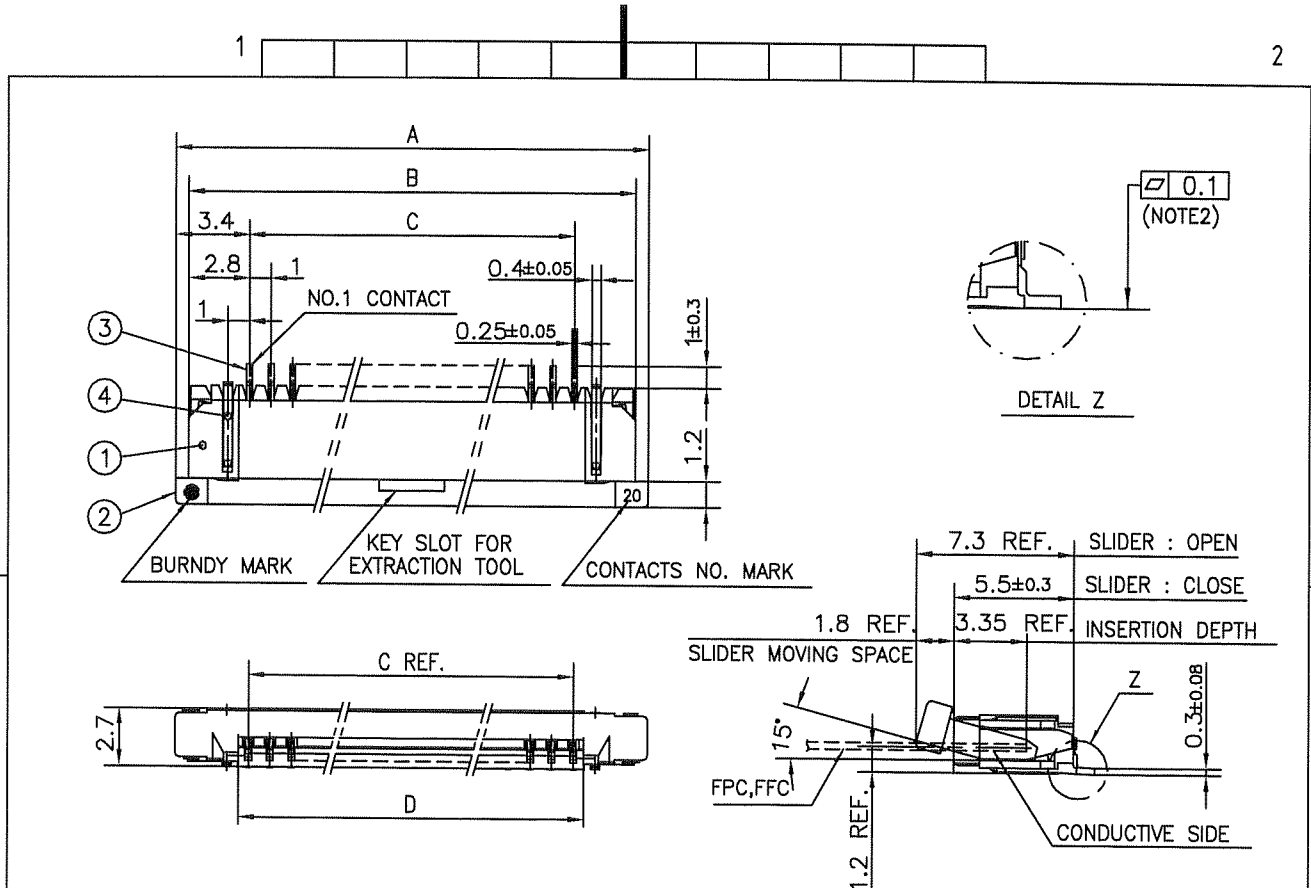
NO. OF CONTACTS (n)	CAT. NO.	DIMENSIONS (NOTE2)			
		A ± 0.2	B ± 0.2	C ± 0.2	D ± 0.1
4	SFW4R-3/4ST__HLF	9.8	8.6	3.0	3.92
5	SFW5R-3/4ST__HLF	10.8	9.6	4.0	4.92
6	SFW6R-3/4ST__HLF	11.8	10.6	5.0	5.92
7	SFW7R-3/4ST__HLF	12.8	11.6	6.0	6.92
8	SFW8R-3/4ST__HLF	13.8	12.6	7.0	7.92
9	SFW9R-3/4ST__HLF	14.8	13.6	8.0	8.92
10	SFW10R-3/4ST__HLF	15.8	14.6	9.0	9.92
11	SFW11R-3/4ST__HLF	16.8	15.6	10.0	10.92
12	SFW12R-3/4ST__HLF	17.8	16.6	11.0	11.92
13	SFW13R-3/4ST__HLF	18.8	17.6	12.0	12.92
14	SFW14R-3/4ST__HLF	19.8	18.6	13.0	13.92
15	SFW15R-3/4ST__HLF	20.8	19.6	14.0	14.92
16	SFW16R-3/4ST__HLF	21.8	20.6	15.0	15.92
17	SFW17R-3/4ST__HLF	22.8	21.6	16.0	16.92
18	SFW18R-3/4ST__HLF	23.8	22.6	17.0	17.92
19	SFW19R-3/4ST__HLF	24.8	23.6	18.0	18.92
20	SFW20R-3/4ST__HLF	25.8	24.6	19.0	19.92
21	SFW21R-3/4ST__HLF	26.8	25.6	20.0	20.92
22	SFW22R-3/4ST__HLF	27.8	26.6	21.0	21.92
23	SFW23R-3/4ST__HLF	28.8	27.6	22.0	22.92
24	SFW24R-3/4ST__HLF	29.8	28.6	23.0	23.92
25	SFW25R-3/4ST__HLF	30.8	29.6	24.0	24.92
26	SFW26R-3/4ST__HLF	31.8	30.6	25.0	25.92
27	SFW27R-3/4ST__HLF	32.8	31.6	26.0	26.92
28	SFW28R-3/4ST__HLF	33.8	32.6	27.0	27.92
29	SFW29R-3/4ST__HLF	34.8	33.6	28.0	28.92
30	SFW30R-3/4ST__HLF	35.8	34.6	29.0	29.92



NOTES

1. THIS PRODUCT IS THE CONNECTOR USED FOR FPC/FFC AND COPE WITH AUTOMATIC MOUNTING (SMT).
2. SEE PART DRAWINGS FOR DIMENSIONS A~D.
3. THIS PRODUCT IS THE CONNECTOR WITH CABLE LOCK MECHANISM.

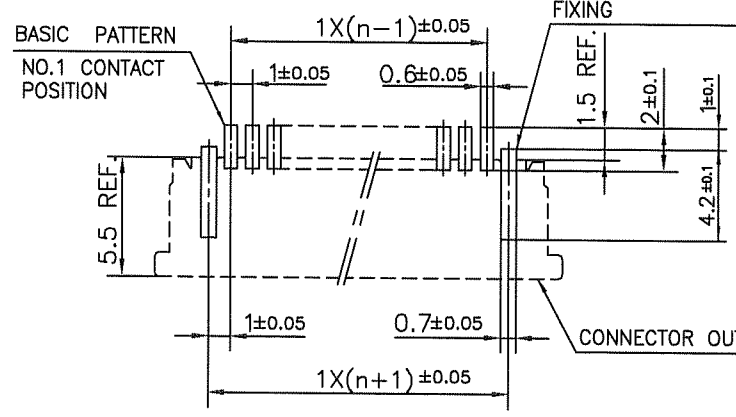
mat'l. code		surface 58 / tolerance ISO 1302 <input checked="" type="checkbox"/> ISO 406 / ISO 1101		projection		product family 58RF		CODE JP	
ltr		ecn no		dr		date		tolerances unless otherwise specified	
A								angles linear	
								mm	
								scale X	
				dr		S. Nishida 2011-8-10		dwg no sheet 2 of 9 size	
				enrg		S. Nishida 2011-8-10		10118875 A4	
				chr		Z. Asano 2011-8-10		type Product Customer Drawing	
				appd		M. G. 2011-8-11			
sheet index		revision sheet						Rev. A	



PT. NO.	PARTS NAME	MATERIAL	Q'TY	NOTE
1	HOUSING	PPS RESIN GLASS REINFORCED (UL94V-0)	1	COLOR : GRAY
2	SLIDER		1	COLOR : GRAY
3	CONTACT	PHOSPHOR BRONZE	n	PLATING : TIN
4	MOUNTING PLATE		2	

n : NO. OF CONTACTS

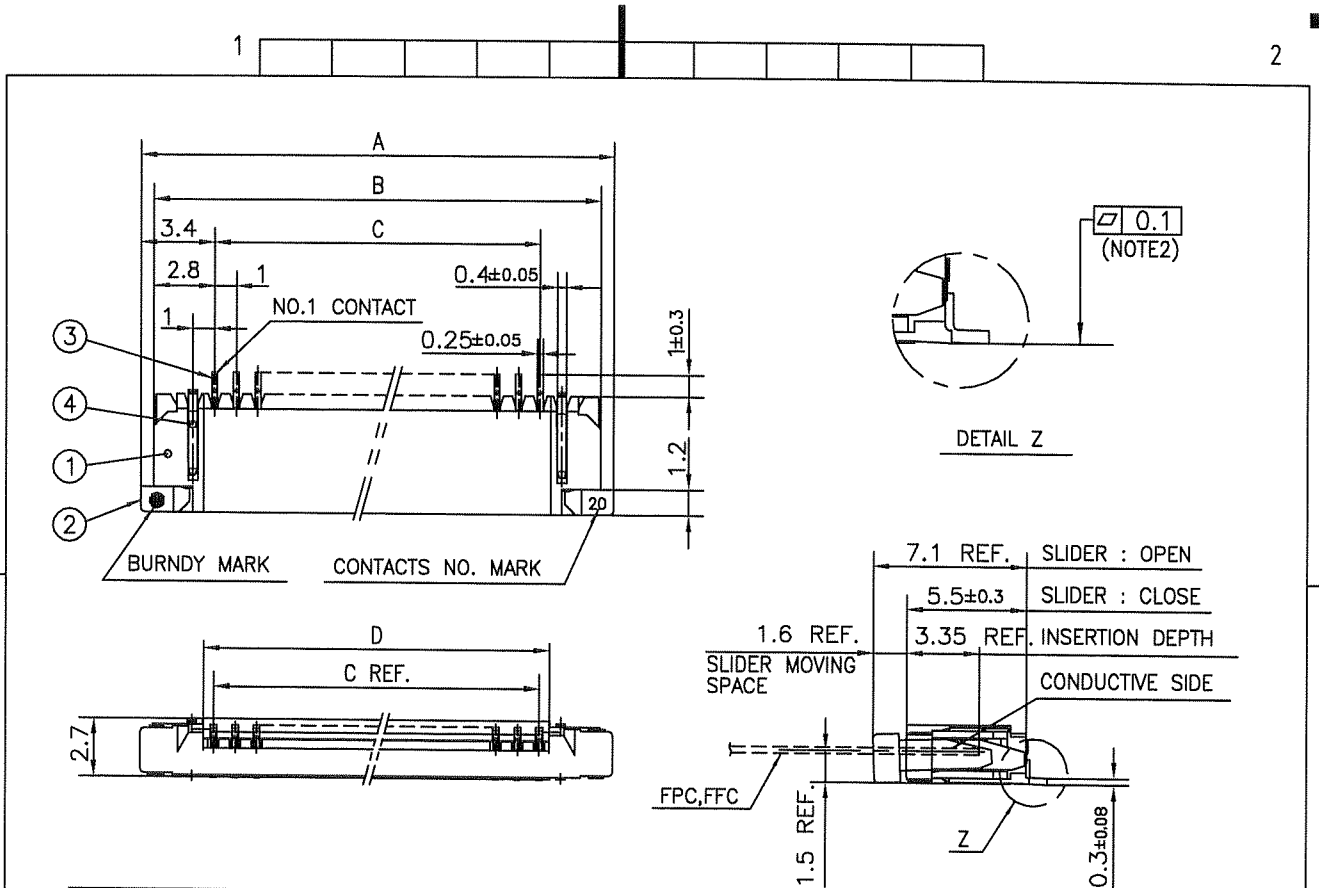
RECOMMENDED PC BOARD LAYOUT
(COMPONENT SIDE)



NOTES

1. THIS PRODUCT IS THE CONNECTOR USED FOR FPC/FFC AND COPELS WITH AUTOMATIC MOUNTING (SMT).
2. FLATNESS FOR CONTACT TERMINAL HOUSING MUST BE WITHIN TOLERANCE IN Z PORTION DETAILED DRAWING.
3. THIS PRODUCT IS LOWER CONTACT TYPE CONNECTOR WITH CABLE LOCK MECHANISM.
4. THIS PRODUCT MEETS EUROPEAN UNION DIRECTIVES AND OTHER COUNTRY REGULATIONS AS DESCRIBED IN GS-22-008
5. THE HOUSING WILL WITHSTAND EXPOSURE TO 260°C PEAK TEMPERATURE FOR 10 SECONDS IN A REFLOW SOLDERING OVEN.

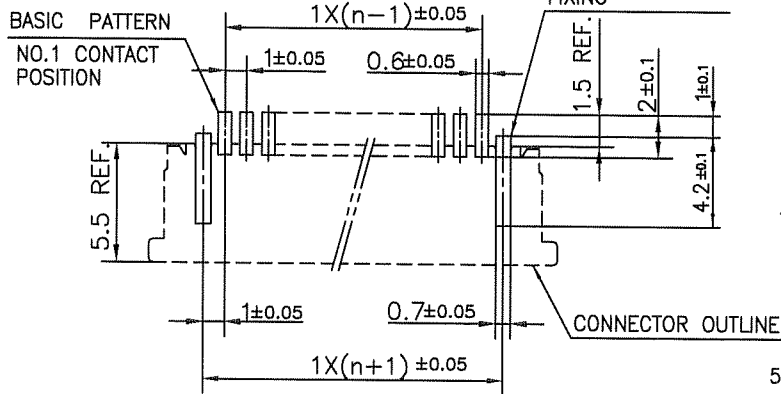
mat'l. code				surface 58/ISO 1302	tolerance ISO 406/ISO 1101	projection	product family 58RF	CODE JP	
ltr	ecn no	dr	date	tolerances unless otherwise specified		mm	title		
A				angles	linear ±0.2		1mm SPACING SMT CONNECTOR (Cat. No. SFW__R-3ST__HLF)		
				dr	engr	chr	appd		
				2011-8-10	2011-8-10	2011-8-10	Aug 11/11		dwg no 10118875 sheet 3 of 9 size A4 type Product Customer Drawing
sheet index	revision sheet								Rev. A



PT. NO.	PARTS NAME	MATERIAL	Q'TY	NOTE
1	HOUSING	PPS RESIN GLASS REINFORCED (UL94V-0)	1	COLOR : GRAY
2	SLIDER		1	COLOR : GRAY
3	CONTACT	PHOSPHOR BRONZE	n	PLATING : TIN
4	MOUNTING PLATE		2	

n : NO. OF CONTACTS

RECOMMENDED PC BOARD LAYOUT
(COMPONENT SIDE)



NOTES

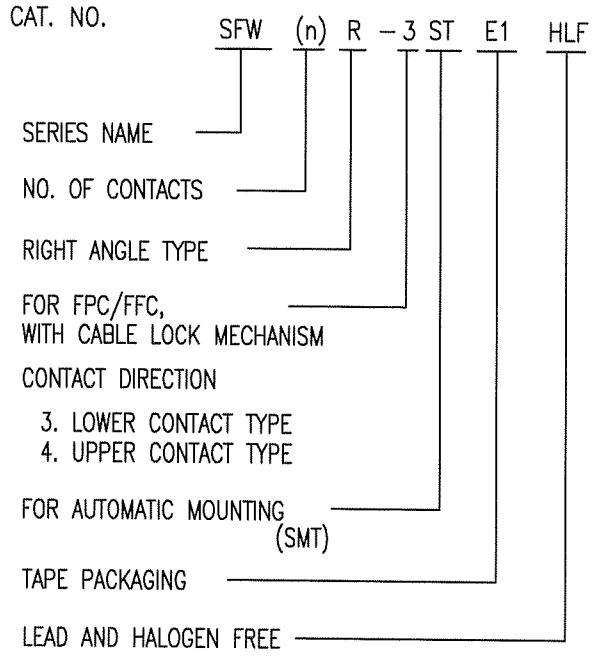
1. THIS PRODUCT IS THE CONNECTOR USED FOR FPC/FFC AND COPEs WITH AUTOMATIC MOUNTING (SMT).
2. FLATNESS FOR CONTACT TERMINAL HOUSING MUST BE WITHIN TOLERANCE IN Z PORTION DETAILED DRAWING.
3. THIS PRODUCT IS UPPER CONTACT TYPE CONNECTOR WITH CABLE LOCK MECHANISM.
4. THIS PRODUCT MEETS EUROPEAN UNION DIRECTIVES AND OTHER COUNTRY REGULATIONS AS DESCRIBED IN GS-22-008

5. THE HOUSING WILL WITHSTAND EXPOSURE TO 260°C PEAK TEMPERATURE FOR 10 SECONDS IN A REFLOW SOLDERING OVEN.

mat'l. code		surface 58 / tolerance ISO 1302 ✓ ISO 406 ISO 1101		projection		product family 58RF		CODE JP	
ltr		ecn no		dr		date		tolerances unless otherwise specified	
A								mm	
				angles		linear		±0.2	
								scale X	
		dr		S. Nishida		2011-8-10			
		enr		S. Nishida		2011-8-10			
		chr		M. Nishida		2011-8-10			
		appd		M. Nishida		AUG 11/11			
sheet index		revision sheet						dwg no 10118875 sheet 4 of 9 size A4 type Product Customer Drawing	
								Rev. A	

CAT. NO. & DIMENSIONS

NO. OF CONTACTS (n)	CAT. NO. (NOTE2)	DIMENSIONS (NOTE3)		
		E ± 5	F ± 0.3	G ± 0.1
4	SFW4R-3/4STE1HLF	20.4	16	—
5	SFW5R-3/4STE1HLF	28.4	24	—
6	SFW6R-3/4STE1HLF	28.4	24	—
7	SFW7R-3/4STE1HLF	28.4	24	—
8	SFW8R-3/4STE1HLF	28.4	24	—
9	SFW9R-3/4STE1HLF	28.4	24	—
10	SFW10R-3/4STE1HLF	28.4	24	—
11	SFW11R-3/4STE1HLF	28.4	24	—
12	SFW12R-3/4STE1HLF	28.4	24	—
13	SFW13R-3/4STE1HLF	36.4	32	28.4
14	SFW14R-3/4STE1HLF	36.4	32	28.4
15	SFW15R-3/4STE1HLF	36.4	32	28.4
16	SFW16R-3/4STE1HLF	36.4	32	28.4
17	SFW17R-3/4STE1HLF	48.4	44	40.4
18	SFW18R-3/4STE1HLF	48.4	44	40.4
19	SFW19R-3/4STE1HLF	48.4	44	40.4
20	SFW20R-3/4STE1HLF	48.4	44	40.4
21	SFW21R-3/4STE1HLF	48.4	44	40.4
22	SFW22R-3/4STE1HLF	48.4	44	40.4
23	SFW23R-3/4STE1HLF	48.4	44	40.4
24	SFW24R-3/4STE1HLF	48.4	44	40.4
25	SFW25R-3/4STE1HLF	48.4	44	40.4
26	SFW26R-3/4STE1HLF	48.4	44	40.4
27	SFW27R-3/4STE1HLF	48.4	44	40.4
28	SFW28R-3/4STE1HLF	60.4	56	52.4
29	SFW29R-3/4STE1HLF	60.4	56	52.4
30	SFW30R-3/4STE1HLF	60.4	56	52.4



NOTES

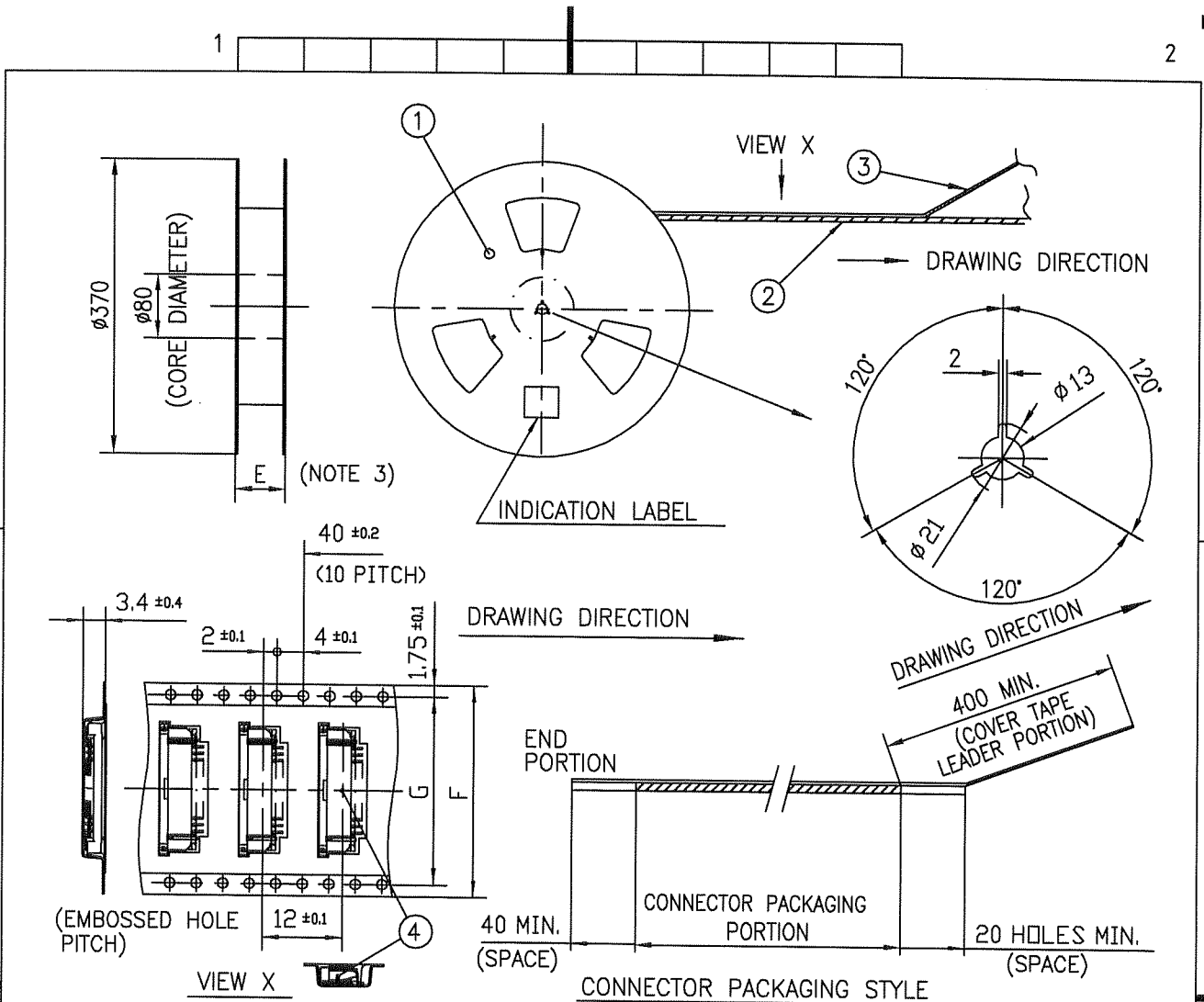
1. THIS PRODUCT IS THE CONNECTOR USED FOR FPC/FFC AND COPELS WITH AUTOMATIC MOUNTING (SMT).
2. THIS CATALOG NO. INDICATES PLASTIC TAPE PACKAGED CONNECTOR.
3. SEE PART DRAWINGS FOR DIMENSIONS E~G.
4. THIS PRODUCT IS THE CONNECTOR WITH CABLE LOCK MECHANISM.

mat'l. code		surface 58 / tolerance ISO 1302 ✓ / ISO 406 / ISO 1101		projection		product family 58RF		CODE JP	
ltr		ecn no		dr		date		tolerances unless otherwise specified	
A								angles linear	
								mm	
								scale X	
				dr		2011-8-10		sheet 5 of 9	
				enr		2011-8-10		size A4	
				chr		2011-8-10		10118875	
				appd		August 11		type Product Customer Drawing	
sheet index		revision sheet						Rev. A	



FCIconnect.com

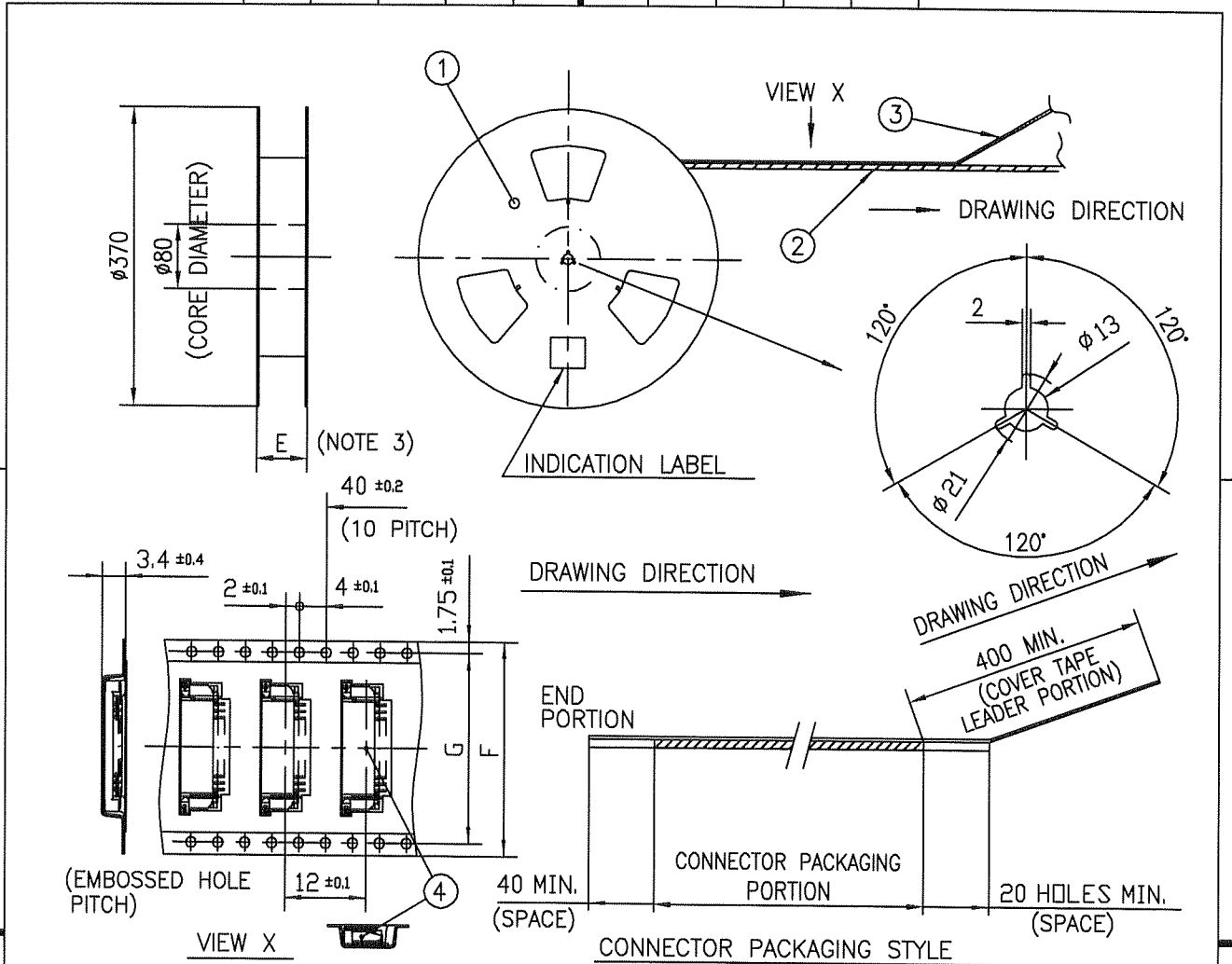
Copyright FCI.



PT. NO.	PARTS NAME	CAT. NO.	MATERIAL	Q'TY	NOTE
1	REEL	_____	CARDBOARD	1	COLOR:WHITE
2	PLASTIC (EMBOSS) TAPE	_____	PET	_____	COLOR:TRANSPARENCY
3	COVER	_____	POLYESTER	_____	COLOR:TRANSPARENCY
4	CONNECTOR	SFW_R-3ST_HLF	SEE ATTACHED DWG.	2000	LOWER CONTACT TYPE

- NOTES
- THIS IS PLASTIC TAPE PACKAGED CONNECTOR WITH CABLE LOCK MECHANISM USED FOR FPC/FFC AND COPES WITH AUTOMATIC MOUNTING (SMT).
 - SEE JIS C 0806 (PACKING OF ELECTRONIC COMPONENTS ON CONTINUOUS TAPES (SURFACE MOUNTING DEVICES)) FOR SHAPE AND DIMENSIONS OF PLASTIC (EMBOSS) TAPE AND REEL.
 - E DIMENSION IS PORTION OF THE CORE.

mat'l. code		surface 58 / tolerance ISO 1302 ✓ ISO 406 ISO 1101		projection		product family 58RF		CODE JP	
ltr		ecn no		dr		date		tolerances unless otherwise specified	
A								angles linear ±5	
								mm	
								scale X	
				dr		2011-8-10		dwg no	
				enr		2011-8-10		sheet 6 of 9	
				chr		2011-8-10		10118875	
				appd		Aug 11		size A4	
sheet index		revision sheet						type Product Customer Drawing	
								Rev. A	



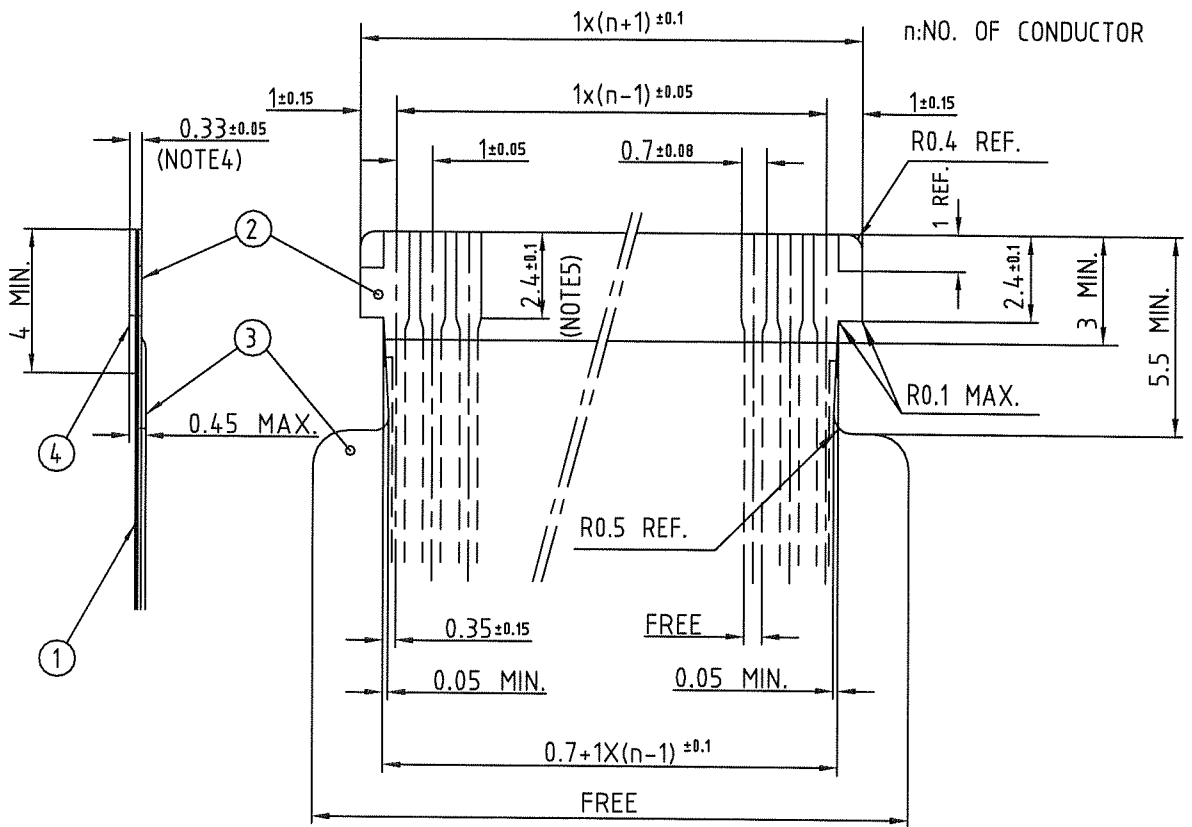
PT. NO.	PARTS NAME	CAT. NO.	MATERIAL	Q'TY	NOTE
1	REEL	_____	CARDBOARD	1	COLOR:WHITE
2	PLASTIC (EMBOSS) TAPE	_____	PET	_____	COLOR:TRANSPARENCY
3	COVER	_____	POLYESTER	_____	COLOR:TRANSPARENCY
4	CONNECTOR	SFW__R-4ST__HLF	SEE ATTACHED DWG.	2000	UPPER CONTACT TYPE

NOTES

1. THIS IS PLASTIC TAPE PACKAGED CONNECTOR WITH CABLE LOCK MECHANISM USED FOR FPC/FFC AND COPES WITH AUTOMATIC MOUNTING (SMT).
2. SEE JIS C 0806 (PACKING OF ELECTRONIC COMPONENTS ON CONTINUOUS TAPES (SURFACE MOUNTING DEVICES)) FOR SHAPE AND DIMENSIONS OF PLASTIC (EMBOSS) TAPE AND REEL.
3. E DIMENSION IS PORTION OF THE CORE.

mat'l. code		surface 58 / tolerance ISO 1302		ISO 406 / ISO 1101		projection		product family 58RF		CODE JP			
ltr		ecn no		dr		date		tolerances unless otherwise specified		title			
A								angles linear ±5		PLASTIC TAPE PACKAGED 1mm SPACING SMT CONNECTOR (Cat. No. SFW__R-4STE1HLF)			
								±5'		mm			
								scale		X			
				dr		S. M. T. S. 2011-8-10		FCI		dwg no sheet 7 of 9 size			
				enr		S. M. T. S. 2011-8-10				10118875		A4	
				chr		Z. Masane 2011-8-10				type Product Customer Drawing			
				appd		M. U. M. Aug 11/11							
sheet index		revision sheet								Rev. A			

RECOMMENDED CABLE (FPC)



PT. NO.	PARTS NAME	MATERIAL	THICKNESS (um)
1	BASE FILM	POLYIMIDE OR POLYESTER OR EQUAL	25
2	CONDUCTOR	COPPER FOIL(PLATING : SOLDER 1um MIN.)	35
3	OVERLAY	POLYIMIDE OR POLYESTER OR EQUAL	—
4	SUPPORTING TAPE	POLYESTER OR POLYIMIDE OR EQUAL	188

- NOTES
- THIS DRAWING INDICATES THE FPC USED THE CONNECTOR WITH CABLE LOCK MECHANISM.
 - NO BURR AT EACH PORTION.
 - NO PEELING IN COMMON USE.
 - TOTAL THICKNESS LIMIT OF EACH MATERIAL (INCLUDING ADHESIVE AGENT) IS SPECIFIED.
 - THIS DIMENSION INDICATES THE RANGE FOR 0.7 ±0.08 CONDUCTOR WIDTH.

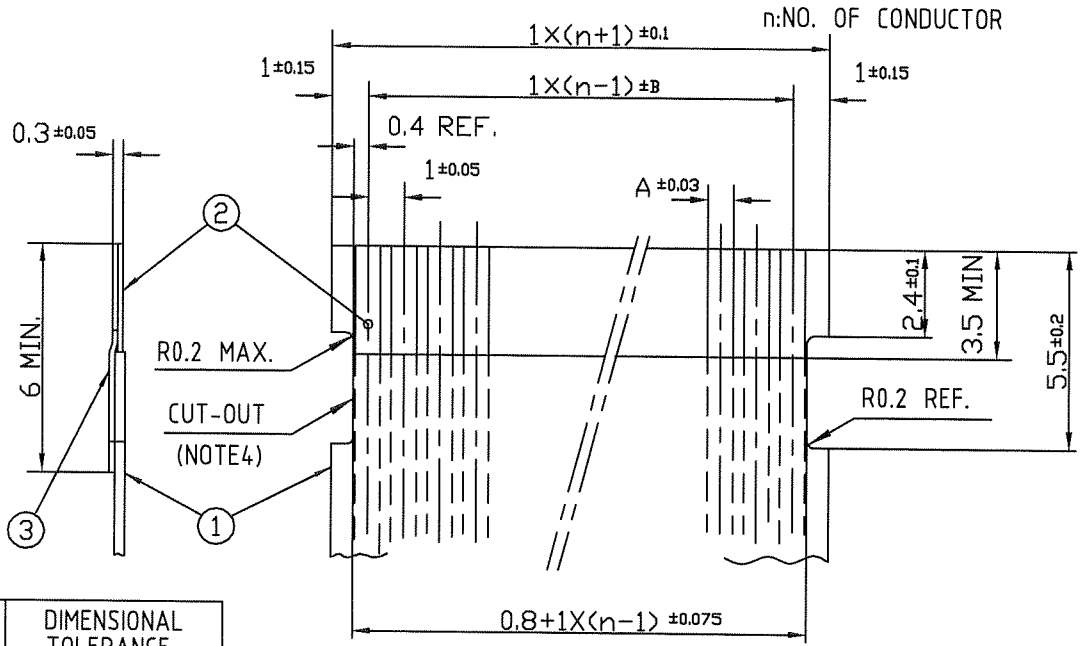
mat'l. code		surface 58 / ISO 1302	tolerance ISO 406 / ISO 1101	projection	product family 58RF	CODE JP
ltr	ecn no	dr	date	tolerances unless otherwise specified	title	
A				angles linear	RECOMMENDED CABLE (Cat. No. SFW_R-3/4_)	
				mm	scale X	
		dr	engr	chr	appd	dwg no
		S. H. H.	S. H. H.			sheet 8 of 9
		2011-8-10	2011-8-10			size A4
		2011-8-10				10118875
		2011-8-10				type Product Customer Drawing
sheet index	revision sheet					Rev. A



FCIconnect.com

Copyright FCI.

RECOMMENDED CABLE (FFC)



KIND OF FFC (NOTES5)	DIMENSIONAL TOLERANCE	
	A	B
1	0.7	0.1
2	0.6	0.07

PT. NO.	PARTS NAME	MATERIAL	NOTE
1	INSULATOR	FLAME RESISTING POLYESTER OR EQUAL	
2	CONDUCTOR	COPPER FOIL	PLATING: TIN OR SOLDER 1um MIN.
3	SUPPORTING TAPE	FLAME RESISTING POLYESTER OR EQUAL	

- NOTES
1. THIS DRAWING INDICATES THE FFC USED THE CONNECTOR WITH CABLE LOCK MECHANISM.
 2. NO BURR AT EACH PORTION.
 3. NO PEELING IN COMMON USE.
 4. THERE IS A POSSIBILITY THAT THE CAT-OUT CROSSES THE CONDUCTOR BECAUSE OF DIMENSIONAL TOLERANCE.
 5. EITHER KIND1 OR KIND2 OF FFC CAN ACCEPT DIMENSIONAL TOLERANCE a AND b.

mat'l. code		surface 58 / ISO 1302		tolerance ISO 406 / ISO 1101		projection		product family 58RF		CODE JP	
ltr		ecn no		dr		date		title		RECOMMENDED CABLE (Cat. No. SFW_R-3/4_)	
A								mm		scale X	
				angles		linear		FCJ		dwg no 10118875	
				dr		2011-8-10		sheet 9 of 9		size A4	
				enr		2011-8-10		type Product Customer Drawing		Rev. A	
				chr		2011-8-10					
				appd		Mg/11/11					
sheet index		revision sheet									



Компания «ЭлектроПласт» предлагает заключение долгосрочных отношений при поставках импортных электронных компонентов на взаимовыгодных условиях!

Наши преимущества:

- Оперативные поставки широкого спектра электронных компонентов отечественного и импортного производства напрямую от производителей и с крупнейших мировых складов;
- Поставка более 17-ти миллионов наименований электронных компонентов;
- Поставка сложных, дефицитных, либо снятых с производства позиций;
- Оперативные сроки поставки под заказ (от 5 рабочих дней);
- Экспресс доставка в любую точку России;
- Техническая поддержка проекта, помощь в подборе аналогов, поставка прототипов;
- Система менеджмента качества сертифицирована по Международному стандарту ISO 9001;
- Лицензия ФСБ на осуществление работ с использованием сведений, составляющих государственную тайну;
- Поставка специализированных компонентов (Xilinx, Altera, Analog Devices, Intersil, Interpoint, Microsemi, Aeroflex, Peregrine, Syfer, Eurofarad, Texas Instrument, Miteq, Cobham, E2V, MA-COM, Hittite, Mini-Circuits, General Dynamics и др.);

Помимо этого, одним из направлений компании «ЭлектроПласт» является направление «Источники питания». Мы предлагаем Вам помощь Конструкторского отдела:

- Подбор оптимального решения, техническое обоснование при выборе компонента;
- Подбор аналогов;
- Консультации по применению компонента;
- Поставка образцов и прототипов;
- Техническая поддержка проекта;
- Защита от снятия компонента с производства.



Как с нами связаться

Телефон: 8 (812) 309 58 32 (многоканальный)

Факс: 8 (812) 320-02-42

Электронная почта: org@eplast1.ru

Адрес: 198099, г. Санкт-Петербург, ул. Калинина, дом 2, корпус 4, литера А.