

Data Sheet

Total Output Power: 450 - 550 Watts
 +12 Vdc main Output
 +3.3 Vdc Stand-by Output
 DC Input 36 - 75 Vdc

SPECIAL FEATURES

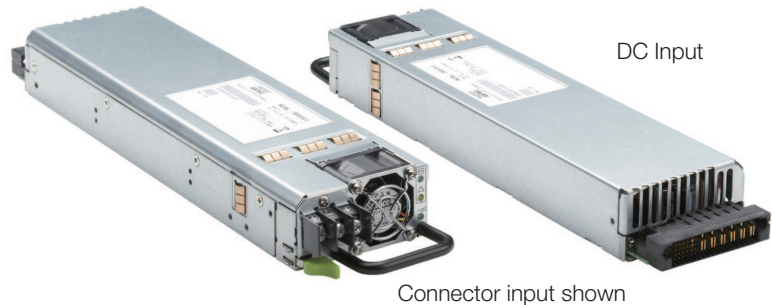
- 1U X 2U form factor
- 10.3 W/in³ (DS550) 8.4 W/in³ (DS450)
- +12 Vdc output
- +3.3 Vdc stand-by
- No minimum load required
- Hot plug operation
- N + 1 redundant
- Internal OR'ing fets
- Active current sharing
- Built-in cooling fans (40 mm x 28 mm)
- I²C communication interface bus
- EEPROM for FRU data
- Amber LED status, fan_fail
- Green LED status, power good/DC_OK status (VIN_GOOD)
- One year warranty

SAFETY

- UL/cUL 60950 (UL recognized)
- NEMKO+ CB report EN60950
- EN60950
- CE mark
- China CCC

DS450DC-3/DS550DC-3

Distributed Power Bulk Front-End



Electrical Specifications

Input	
Input range:	36 - 75 Vdc
Frequency:	DC input
Inrush current:	21 A maximum
Efficiency:	84% @ 75 Vdc
Conducted EMI:	FCC Subpart J EN55022 Class A
Radiated EMI:	FCC Subpart J EN55022 Class A
Power factor:	N/A
Leakage current:	N/A No touch current required.
Hold up time:	1 ms minimum
Output	
Main DC voltage:	+12 V
Stand-By:	+3.3 Vsb
Adjustment range:	Factory Set, no pot adjustments
Regulation:	+12 Vdc; +5%/-5% +3.3 Vsb; +5%/-5%
Over current:	See Table 1 next page
Over voltage:	+12 Vdc; 13.5 - 15 Vdc +3.3 Vsb; 3.76 - 4.30 Vdc
Under voltage:	+12 Vdc; 10.5 V - 11.0 V +3.3 Vsb; 2.77 - 3.00 Vdc
Turn-on delay:	< 3 seconds
+12 V Output Rise Time:	3 ms - 300 ms

Logic Control

PS_ON /L(Power supply enable):	The power supply output will be enabled when this signal is pulled low (< 0.8 V). HIGH = Output V1 OFF LOW = Output V1 ON
VIN_GOOD/H (Input OK):	Active High signal asserted when the input voltage rises above the min input voltage specified. This signal is internally pulled up through 4.7 K ohms to the 3.3 V housekeeping voltage.
POK/H (Output OK):	Active High signal asserted when the output is within regulation. This signal is internally pulled up through 1.0 K ohms to the 3.3 V housekeeping voltage.
TACH_1:	This open collector signal generates two pulses per each fan revolution. This signal is eternally pulled up to the housekeeping voltage.
PS_KILL:	This signal will cause the output to shut down when drive high (> 24 V) or left floating. The PS_KILL will cause the output to latch off and requires recycle of PS_ON or DC input to reset.

Environmental Specifications

Operating temperature:	+10°C to +45°C
Storage temperature:	-40 °C to +70 °C
Altitude, operating:	10,000 ft.
Electromagnetic susceptibility/Input transients:	- EN61000-3-2, -3-3 - EN61000-4-2, 4.3, 4-4, -4-5, 4-11 - EN55024:1998
RoHS & lead-free compliant (no tantalum caps.)	
Humidity:	20 to 90% RH, non-condensing
Shock and vibration specifications complies with Astec Std. Specifications.	
MTBF (calculated):	500k hours at full load, 25°C

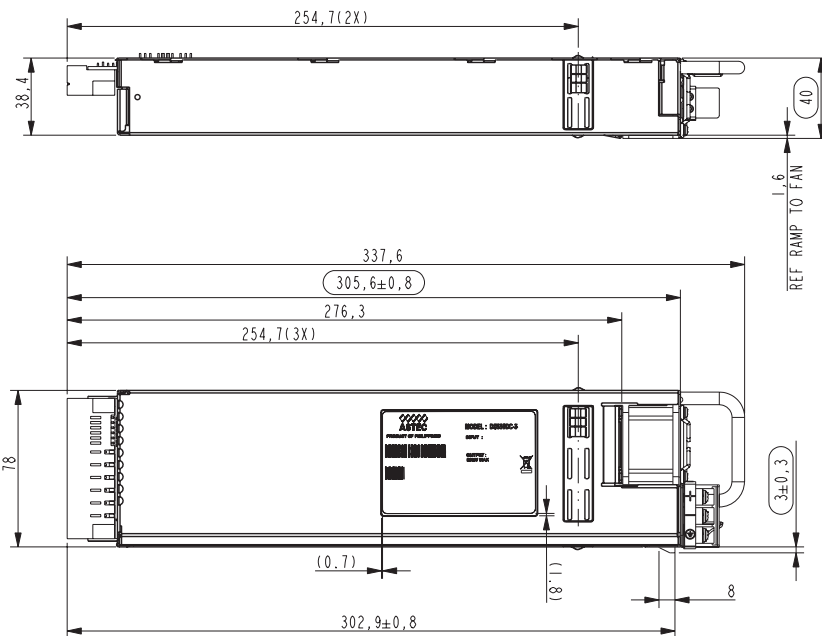
Ordering Information

Output	Nominal Output Voltage Set Point	Set Point Tolerance	Total Regulation	Minimum Current	Maximum Current	Output Ripple P/P	Over Current	Options
DS450DC-3	12.0 Vdc 3.3 Vsb	± 0.2% ± 1%	+5/-3% +5/-4%	0 A 0 A	37.0 A 3.0 A	120 mV 60 mV	39.5 - 44.4% 4.9 A Avg, 7 A max	Standard
DS450DC-3-002	12.0 Vdc 3.3 Vsb	± 0.2% ± 1%	+5/-3% +5/-4%	0 A 0 A	37.0 A 3.0 A	120 mV 60 mV	39.5 - 44.4% 4.9 A Avg, 7 A max	Reverse Air
DS550DC-3	12.0 Vdc 3.3 Vsb	± 0.2% ± 1%	+5/-3% +5/-4%	0 A 0 A	45.0 A 3.0 A	120 mV 60 mV	48.0A - 54.0A 4.9 A Avg, 7 A max	Standard
DS550DC-3-003	12.0 Vdc 3.3 Vsb	± 0.2% ± 1%	+5/-3% +5/-4%	0 A 0 A	45.0 A 3.0 A	120 mV 60 mV	48.0A - 54.0A 4.9 A Avg, 7 A max	Reverse Air

*Over current latches off if overcurrent lasts over 1 second, otherwise it is auto recovery.

*For 5 Vsb, please contact marketing department.

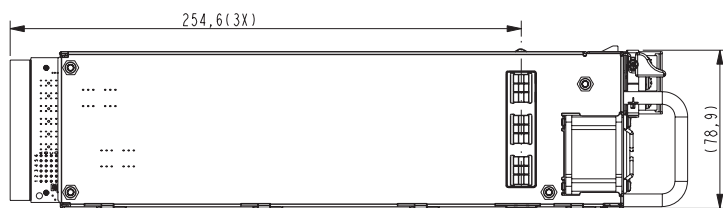
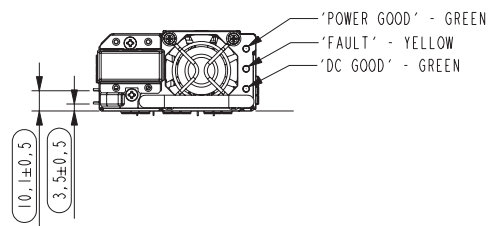
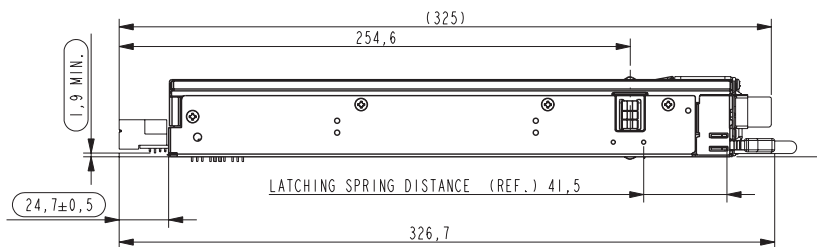
Mechanical Drawing



FORWARD AIR FLOW
DIRECTION



REVERSED AIR FLOW
DIRECTION



DC Output Connector Pinout Assignment

Male connector as viewed from the rear of the supply:

D1	D2	D3	D4	D5	D6	PB1	PB2	PB3	PB4	PB5	PB6
C1	C2	C3	C4	C5	C6						
B1	B2	B3	B4	B5	B6						
A1	A2	A3	A4	A5	A6						

P1 - Power Supply Side

1	FCI Power Blade 51721 series 51721-10002406AA
2	Molex Power Connector SD-87667 series 87667-7002

Mating Connector (System Side)

1	FCI Power Blade 51741-10002406CC Strait Pins
2	FCI Power Blade 51761-10002406AA Right Angle

Pin Assignments

Pin	Signal Name
PB 1	+12 V Return
PB 2	+12 V Return
PB 3	+12 V Return
PB 4	+12 V
PB 5	+12 V
PB 6	+12 V
A1	PS_KILL
A2	+12 V_Current Share
A3	Return
A4	Write Protect
A5	PS A0
A6	+3.3 V SB
B1	Return
B2	12 V RTN Sense
B3	Return
B4	+3.3 V SB
B5	SDA
B6	-PS_ON/L

Pin Assignments

Pin	Signal Name
C1	Return
C2	Tach_1
C3	Return
C4	+3.3 V SB
C5	SCL*
C6	VIN_GOOD/H
D1	-Present/L
D2	+12 V_Sense
D3	Return
D4	+3.3 V SB
D5	Alert/L (S_INT)
D6	POK/H (PWROK/H)

*Supports I²C standard mode (100 kHz) only

WORLDWIDE OFFICES

Americas

2900 S.Diablo Way
Tempe, AZ 85282
USA
+1 888 412 7832

Europe (UK)

Waterfront Business Park
Merry Hill, Dudley
West Midlands, DY5 1LX
United Kingdom
+44 (0) 1384 842 211

Asia (HK)

14/F, Lu Plaza
2 Wing Yip Street
Kwun Tong, Kowloon
Hong Kong
+852 2176 3333

ARTESYN[™]
EMBEDDED TECHNOLOGIES

www.artesyn.com

While every precaution has been taken to ensure accuracy and completeness in this literature, Artesyn Embedded Technologies assumes no responsibility, and disclaims all liability for damages resulting from use of this information or for any errors or omissions. Artesyn Embedded Technologies, Artesyn and the Artesyn Embedded Technologies logo are trademarks and service marks of Artesyn Embedded Technologies, Inc. All other names and logos referred to are trade names, trademarks, or registered trademarks of their respective owners.
© 2014 Artesyn Embedded Technologies, Inc.

For more information: www.artesyn.com/power
For support: productsupport.ep@artesyn.com

DS450DC-3/DS550DC-3-DS Rev. 07.03.14



Компания «ЭлектроПласт» предлагает заключение долгосрочных отношений при поставках импортных электронных компонентов на взаимовыгодных условиях!

Наши преимущества:

- Оперативные поставки широкого спектра электронных компонентов отечественного и импортного производства напрямую от производителей и с крупнейших мировых складов;
- Поставка более 17-ти миллионов наименований электронных компонентов;
- Поставка сложных, дефицитных, либо снятых с производства позиций;
- Оперативные сроки поставки под заказ (от 5 рабочих дней);
- Экспресс доставка в любую точку России;
- Техническая поддержка проекта, помощь в подборе аналогов, поставка прототипов;
- Система менеджмента качества сертифицирована по Международному стандарту ISO 9001;
- Лицензия ФСБ на осуществление работ с использованием сведений, составляющих государственную тайну;
- Поставка специализированных компонентов (Xilinx, Altera, Analog Devices, Intersil, Interpoint, Microsemi, Aeroflex, Peregrine, Syfer, Eurofarad, Texas Instrument, Miteq, Cobham, E2V, MA-COM, Hittite, Mini-Circuits, General Dynamics и др.);

Помимо этого, одним из направлений компании «ЭлектроПласт» является направление «Источники питания». Мы предлагаем Вам помощь Конструкторского отдела:

- Подбор оптимального решения, техническое обоснование при выборе компонента;
- Подбор аналогов;
- Консультации по применению компонента;
- Поставка образцов и прототипов;
- Техническая поддержка проекта;
- Защита от снятия компонента с производства.



Как с нами связаться

Телефон: 8 (812) 309 58 32 (многоканальный)

Факс: 8 (812) 320-02-42

Электронная почта: org@eplast1.ru

Адрес: 198099, г. Санкт-Петербург, ул. Калинина, дом 2, корпус 4, литера А.