

# Features

- Universal AC input range: 90-264VAC
- Suitable for DALI installation
- EN61347-1 certified
- Cooling by free air convection
- Over current and short circuit protected

# DALI

# Power Supply

## RELV4-16

# DALI Bus Power Supply



EN61347-1 certified  
EN61347-2-11 certified  
EN55015 certified  
EN61547 certified

### Description

The RELV4-16 is designed to power a DALI digital lighting control bus. The output is current limited to 200mA, sufficient to power a complete DALI zone with up to 64 addressable DALI devices. The universal input voltage range from 90V to 264VAC enables the RELV4-16 to be used anywhere in the world. Due to its compact design with mounting tabs, it can be easily and conveniently integrated into any DALI network. An indicator LED shows Power OK and DALI bus traffic to aid installation and commissioning. The RELV4-16 comes with a 5 year warranty.

### Selection Guide

Part Number	Input Voltage Range [VAC]	Input Current (@ 115VAC) [mA]	Output Voltage [VDC]	Output Current [mA]	Output Power [W]	Efficiency typ. [%]
RELV4-16	90-264	110	16	200	3.2	68

### Specifications (measured @ Ta= 25°C and 230VAC)

BASIC CHARACTERISTICS				
Parameter	Condition	Min.	Typ.	Max.
Input Voltage Range		90VAC	230VAC	264VAC
Output Voltage Range	full load		16VDC	
DC Voltage Range		13.6VDC		18.4VDC
Inrush Current	115VAC 230VAC			21A 42A
DC Output Current Range	13.6VDC 18.4VDC		240mA 180mA	
Start-up Time	115VAC 230VAC			1s 0.5s
Rise and Fall Times		10µs		100µs
Input Frequency Range		47Hz		63Hz
Ripple and Noise <sup>(1)</sup>				150mVp-p
<b>Notes:</b>				
Note1: Ripple and Noise is measured @20MHz BW by using a 12" twisted pair-wire terminated with 0.1µF & 47µF parallel capacitor				

REGULATIONS		
Parameter	Condition	Value
Output Accuracy <sup>(2)</sup>		±15% typ.
Current Tolerance		+20% / -10% typ.
<b>Notes:</b>		
Note2: Voltage Tolerance includes line regulation, load regulation and set-up tolerance		

**Specifications (measured @ Ta= 25°C and 230VAC)**

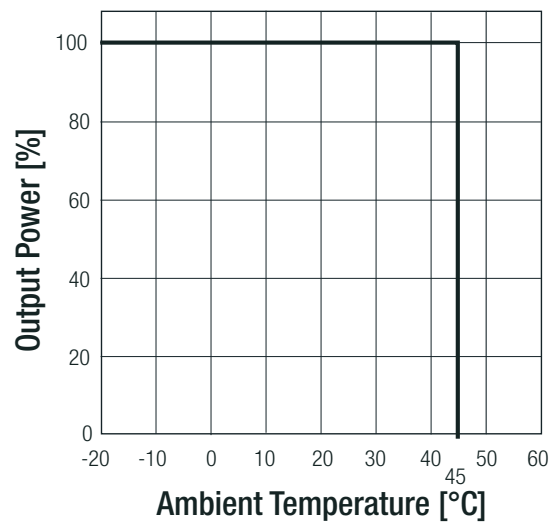
**PROTECTION**

Parameter	Condition	Value
Short Circuit Protection (SCP)	with terminal switch (80°C typ.)	Limiting Current Mode
Over Current Protection (OCP)	240mA max.	Limiting Current Mode
Isolation Voltage		3.75kVAC / 1 Minute
Isolation Resistance	500VDC at 25°C	100MΩ
Isolation Grade		Double Isolated for SELV Output

**ENVIRONMENTAL**

Parameter	Condition	Value
Operating Temperature Range		-20°C to +45°C
Max. Case Temperature		+65°C
Operating Humidity	non-condensing	20% to 90% RH
IP Rating		IP20
Vibration		10-500Hz, 2G, 60Min. along X, Y and Z
MTBF	MIL-HDBK-217F, at 25°C	200 x 10 <sup>3</sup> hours

**Derating Graph**



**SAFETY AND CERTIFICATIONS**

Certificate Type (Safety)	File Number	Standard
Lamp Controlgear - Part 1: General and safety requirements		EN61347-1:2015
Lamp Controlgear - Part 2-11: Particular requirements for miscellaneous electronic circuits used with luminaires		IEC61347-2-11:2001, 1st Edition EN61347-2-11:2001
RoHS 2+		RoHS 2011/65/EU + AM2015/863

continued on next page

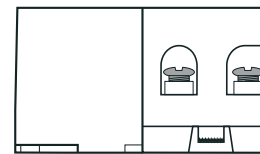
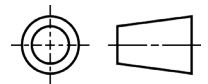
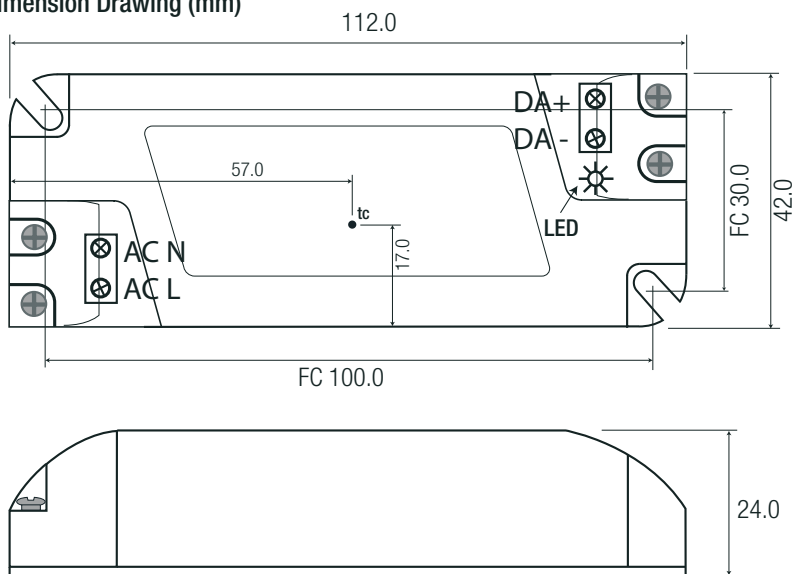
Specifications (measured @ Ta= 25°C and 230VAC)

EMC Compliance	Conditions	Standard / Criterion
Limits and methods of measurement of radio disturbance characteristics of electrical lighting and similar equipment		EN55015:2013 + A1:2015
Limitations on the amount of electromagnetic interference allowed from digital and electronic devices		FCC 47 CFR Part 15
Equipment for general lighting purposes – EMC immunity requirements		EN61547:2009
ESD Electrostatic discharge immunity test	Air ±2, ±4, ±8kV Contact ±2, ±4kV	IEC61000-4-2:2008, Criteria A
Radiated, radio-frequency, electromagnetic field immunity test	3V/m (80-1000MHz)	IEC61000-4-3:2006, Criteria A
Fast Transient and Burst Immunity	AC Power Port: ±0.5kV	IEC61000-4-4:2012, Criteria A
Surge Immunity	AC Power Port: L-N ±0.5kV, ±1kV	IEC61000-4-5:2005, Criteria A
Immunity to conducted disturbances, induced by radio-frequency fields	AC Power Port: 3V	IEC61000-4-6:2008, Criteria A
Power Magnetic Field Immunity	50, 60Hz, 3A/m	IEC61000-4-8:2009, Criteria A
Voltage Dips and Interruptions	Voltage Dips 30%	IEC61000-4-11:2004, Criteria B
Voltage Dips and Interruptions	Voltage Interruptions >95%	IEC61000-4-11:2004, Criteria B
Limits of Harmonic Current Emissions		EN61000-3-2:2014
Limits of Voltage Fluctuations & Flicker		EN61000-3-3:2013

**DIMENSION and PHYSICAL CHARACTERISTICS**

Parameter	Type	Value
Material	PCB case	plastic resin with fibreglass, (UL94 V-0) plastic, (UL94 V-2)
Dimension (LxWxH)		112.0 x 42.0 x 24.0mm
Weight		80g typ.

**Dimension Drawing (mm)**



**Screw Terminal Information**

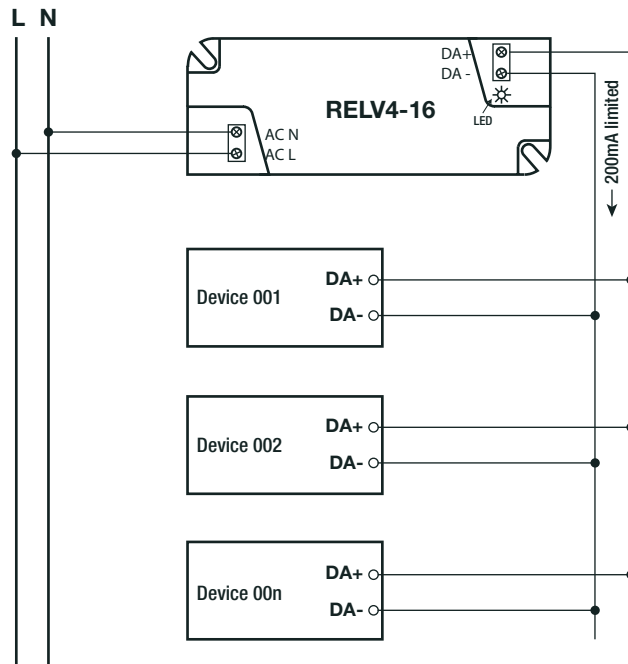
Function	Wire Diameter	AWG
AC N	0.5-1.5mm <sup>2</sup>	14~26
AC L	0.5-1.5mm <sup>2</sup>	14~26
DA+	0.5-1.5mm <sup>2</sup>	14~26
DA-	0.5-1.5mm <sup>2</sup>	14~26

wire stripping length: 5-6mm  
tc= case temperature measuring point  
FC= fixing centers  
Tolerance: xx.x= ±0.5mm  
xx.xx= ±0.35mm  
2 mounting screws are included

Specifications (measured @ Ta= 25°C and 230VAC)

INSTALLATION and APPLICATION

Connection



PACKAGING INFORMATION

Parameter	Type	Value
Packaging Dimension (LxWxH)	cardboard box	256.0 x 124.0 x 84.0mm
Packaging Quantity		10 pcs
Storage Temperature Range		-40°C to +80°C
Storage Humidity	non-condensing	10% - 90% RH

The product information and specifications may be subject to changes even without prior written notice. The product has been designed for various applications; its suitability lies in the responsibility of each customer. The products are not authorized for use in safety-critical applications without RECOM's explicit written consent. A safety-critical application is an application where a failure may reasonably be expected to endanger or cause loss of life, inflict bodily harm or damage property. The applicant shall indemnify and hold harmless RECOM, its affiliated companies and its representatives against any damage claims in connection with the unauthorized use of RECOM products in such safety-critical applications.



Компания «ЭлектроПласт» предлагает заключение долгосрочных отношений при поставках импортных электронных компонентов на взаимовыгодных условиях!

Наши преимущества:

- Оперативные поставки широкого спектра электронных компонентов отечественного и импортного производства напрямую от производителей и с крупнейших мировых складов;
- Поставка более 17-ти миллионов наименований электронных компонентов;
- Поставка сложных, дефицитных, либо снятых с производства позиций;
- Оперативные сроки поставки под заказ (от 5 рабочих дней);
- Экспресс доставка в любую точку России;
- Техническая поддержка проекта, помощь в подборе аналогов, поставка прототипов;
- Система менеджмента качества сертифицирована по Международному стандарту ISO 9001;
- Лицензия ФСБ на осуществление работ с использованием сведений, составляющих государственную тайну;
- Поставка специализированных компонентов (Xilinx, Altera, Analog Devices, Intersil, Interpoint, Microsemi, Aeroflex, Peregrine, Syfer, Eurofarad, Texas Instrument, Miteq, Cobham, E2V, MA-COM, Hittite, Mini-Circuits, General Dynamics и др.);

Помимо этого, одним из направлений компании «ЭлектроПласт» является направление «Источники питания». Мы предлагаем Вам помощь Конструкторского отдела:

- Подбор оптимального решения, техническое обоснование при выборе компонента;
- Подбор аналогов;
- Консультации по применению компонента;
- Поставка образцов и прототипов;
- Техническая поддержка проекта;
- Защита от снятия компонента с производства.



#### Как с нами связаться

**Телефон:** 8 (812) 309 58 32 (многоканальный)

**Факс:** 8 (812) 320-02-42

**Электронная почта:** [org@eplast1.ru](mailto:org@eplast1.ru)

**Адрес:** 198099, г. Санкт-Петербург, ул. Калинина, дом 2, корпус 4, литера А.