

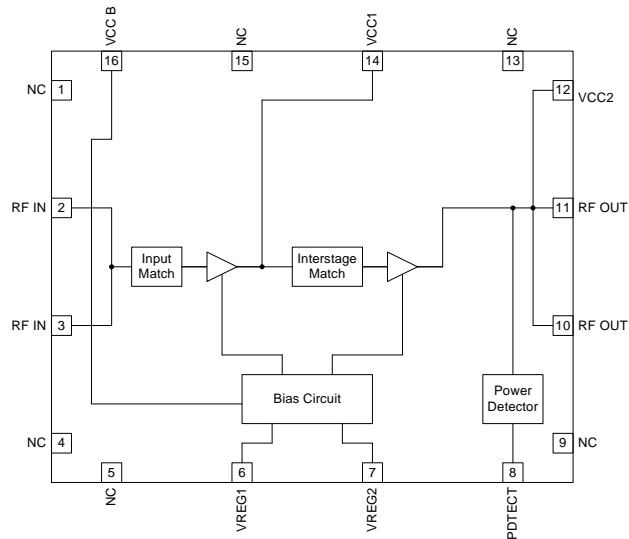


Features

- Single Power Supply 3.0V to 5V
- +21dBm, <4.0% EVM, 185 mA at $V_{CC}=3.3V$
- +23dBm, <4% EVM, 250 mA at $V_{CC}=5.0V$
- 28dB Typical Small Signal Gain
- 50Ω Input and Interstage Matching
- 2400MHz to 2500MHz Frequency Range

Applications

- IEEE802.11b/g/n WiFi Applications
- 2.5GHz ISM Band Applications
- Commercial and Consumer Systems
- Portable Battery-Powered Equipment
- Spread-Spectrum and MMDS Systems



Functional Block Diagram

Product Description

The RF5102 is a linear, medium-power, high-efficiency, two-stage amplifier IC designed specifically for battery-powered WiFi applications such as PC cards, mini PCI, and compact flash applications. The device is manufactured on an advanced InGaP Gallium Arsenide Heterojunction Bipolar Transistor (HBT) process, and has been designed for use as the final RF amplifier in 2.5GHz OFDM and other spread-spectrum transmitters. The device is provided in a 3mmx3mmx0.9mm, 16-pin, QFN with a backside ground. The RF5102 is designed to maintain linearity over a wide range of supply voltage and power output.

Ordering Information

RF5102	Standard 25 piece bag
RF5102SR	Standard 100 piece reel
RF5102TR7	Standard 2500 piece reel
RF5102PCK-41X	Fully Assembled Evaluation Board Kit (3.3V tune)
RF5102WL50PCK-41X	Fully Assembled Evaluation Board Kit (5.0V Tune)

Optimum Technology Matching® Applied

- | | | | |
|---|--------------------------------------|-------------------------------------|-----------------------------------|
| <input type="checkbox"/> GaAs HBT | <input type="checkbox"/> SiGe BiCMOS | <input type="checkbox"/> GaAs pHEMT | <input type="checkbox"/> GaN HEMT |
| <input type="checkbox"/> GaAs MESFET | <input type="checkbox"/> Si BiCMOS | <input type="checkbox"/> Si CMOS | <input type="checkbox"/> RF MEMS |
| <input checked="" type="checkbox"/> InGaP HBT | <input type="checkbox"/> SiGe HBT | <input type="checkbox"/> Si BJT | <input type="checkbox"/> LDMOS |

RF MICRO DEVICES®, RFMD®, Optimum Technology Matching®, Enabling Wireless Connectivity™, PowerStar®, POLARIS™ TOTAL RADIO™ and UltimateBlue™ are trademarks of RFMD, LLC. BLUETOOTH is a trademark owned by Bluetooth SIG, Inc., U.S.A. and licensed for use by RFMD. All other trade names, trademarks and registered trademarks are the property of their respective owners. ©2006, RF Micro Devices, Inc.

Absolute Maximum Ratings

Parameter	Rating	Unit
Supply Voltage	5	V
Power Control Voltage (V_{REG})	3.3	V
DC Supply Current	500	mA
Input RF Power	+5	dBm
Operating Ambient Temperature	-40 to +85	°C
Storage Temperature	-40 to +150	°C
Moisture Sensitivity	MSL2	



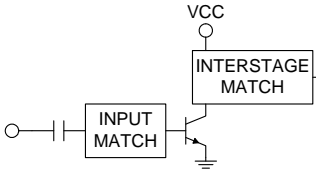
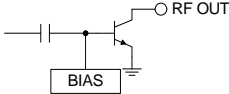
Caution! ESD sensitive device.

Exceeding any one or a combination of the Absolute Maximum Rating conditions may cause permanent damage to the device. Extended application of Absolute Maximum Rating conditions to the device may reduce device reliability. Specified typical performance or functional operation of the device under Absolute Maximum Rating conditions is not implied.

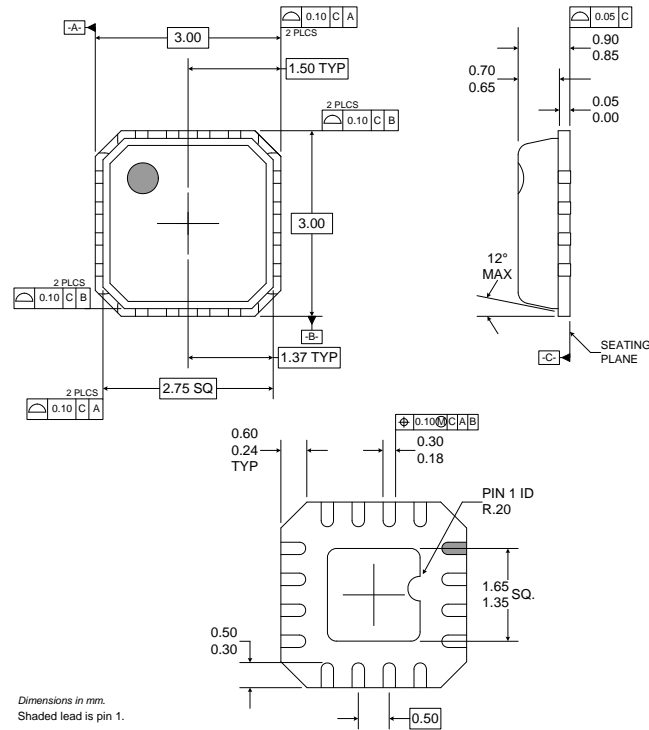
RoHS status based on EU Directive 2002/95/EC (at time of this document revision).

The information in this publication is believed to be accurate and reliable. However, no responsibility is assumed by RF Micro Devices, Inc. ("RFMD") for its use, nor for any infringement of patents, or other rights of third parties, resulting from its use. No license is granted by implication or otherwise under any patent or patent rights of RFMD. RFMD reserves the right to change component circuitry, recommended application circuitry and specifications at any time without prior notice.

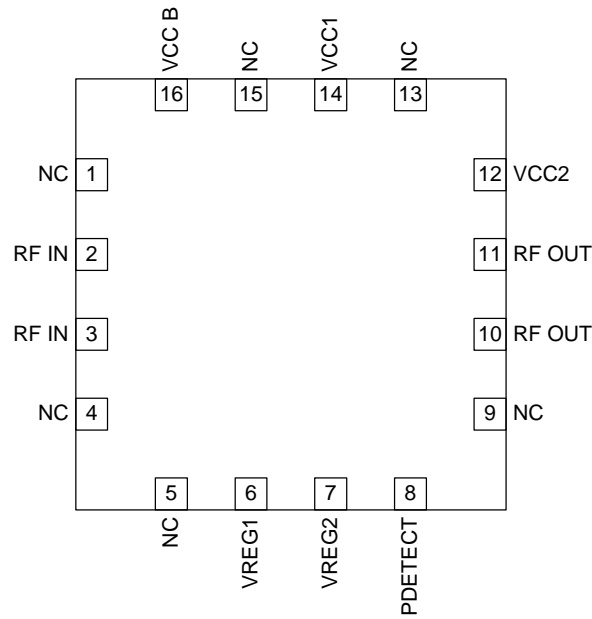
Parameter	Specification			Unit	Condition
	Min.	Typ.	Max.		
Compliance and Nominal Conditions					IEEE802.11g, IEEE802.11b, FCC CFG 15.247, .205, .209, EN and JDEC $V_{CC}=3.3V$, $V_{REG}=2.85V$ pulsed at 1% to 99% duty cycle, Temp = +25°C, Freq = 2.4GHz to 2.5GHz, OFDM 54 Mbps signal, unless noted otherwise.
Frequency Range	2400		2500	MHz	
Linear Output Power		21.0		dBm	$V_{CC}=3.3V$. Meets 802.11g spectral mask
		23.0		dBm	$V_{CC}=5.0V$. Meets 802.11g spectral mask
EVM		3.3	4.0	%	$P_{OUT}=+21dBm$, 54M OFDM, $V_{CC}=3.3V_{DC}$
		3.3	4.0	%	$P_{OUT}=+23dBm$, 54M OFDM, $V_{CC}=5.0V_{DC}$
Gain	26	28		dB	Both $P_{OUT}=+21dBm$ and $+23dBm$. $V_{CC}=3.3V$ and $5.0V$.
Input Impedance		50		Ω	Internally Matched Input and Interstage
Output VSWR			10:1		No spurs above -43dBm
Power Detector (P_detect)					
$P_{OUT}=21dBm$	0.13		1.10	V	$V_{CC}=3.3V$
$P_{OUT}=23dBm$	0.13		2.2	V	$V_{CC}=5.0V$
Power Supply					
Operating Voltage	3.0	3.3	5.0	V_{DC}	5V operation requires output match revision
V_{REG} (Bias) Voltage (V_{REG1} , V_{REG2})	2.75	2.85	2.95	V_{DC}	
Current Consumption		185		mA	RF $P_{OUT}=+21dBm$, $V_{CC}=3.3V$, 54Mbps OFDM
		250			RF $P_{OUT}=+23dBm$, $V_{CC}=5.0V$, 54Mbps OFDM
Quiescent Current		95		mA	RF=OFF
Leakage Current			10	μA	$V_{CC}=ON$; RF In=OFF; V_{REG} OFF
V_{REG} (Bias) Current (Total)			3	mA	$V_{CC}=3.3V$
			3	mA	$V_{CC}=5.0V$

Pin	Function	Description	Interface Schematic
1	NC	Not connected. May be connected to ground (GND).	
2	RF IN	RF input. See evaluation board schematic for details.	
3	RF IN	RF input. See evaluation board schematic for details.	See pin 2.
4	NC	Not connected. May be connected to ground (GND).	
5	NC	Do not connect. Note: VCC voltage may be applied to this pin without damage to, or affecting the performance of, the RF5102.	
6	VREG1	Bias current control voltage for the first stage.	
7	VREG2	Bias current control voltage for the second stage. The VREG2 pin may be connected to VREG1 through an external resistor bridge.	
8	PDETECT (or N/C*)	Provides an output voltage proportional to the output RF level. *In applications where the PDETECT function is not desired, this pin may be left unconnected.	
9	NC	No-connect.	
10	RF OUT	RF output.	
11	RF OUT	Same as pin 10.	See pin 10.
12	VCC2	Power supply for second stage amplifier. Connect as shown on evaluation board schematic.	
13	NC	Not connected. May be connected to ground (GND).	
14	VCC1	Power supply for first stage amplifier. Connect as shown on evaluation board schematic.	
15	NC	Not connected. May be connected to ground (GND).	
16	VCC B	Supply voltage for the bias reference and control circuits. May be connected with VC1 and VC2 (single-supply voltage).	
Pkg Base	GND	The center metal base of the QFN package provides DC and RF ground as well as heat sink for the amplifier.	

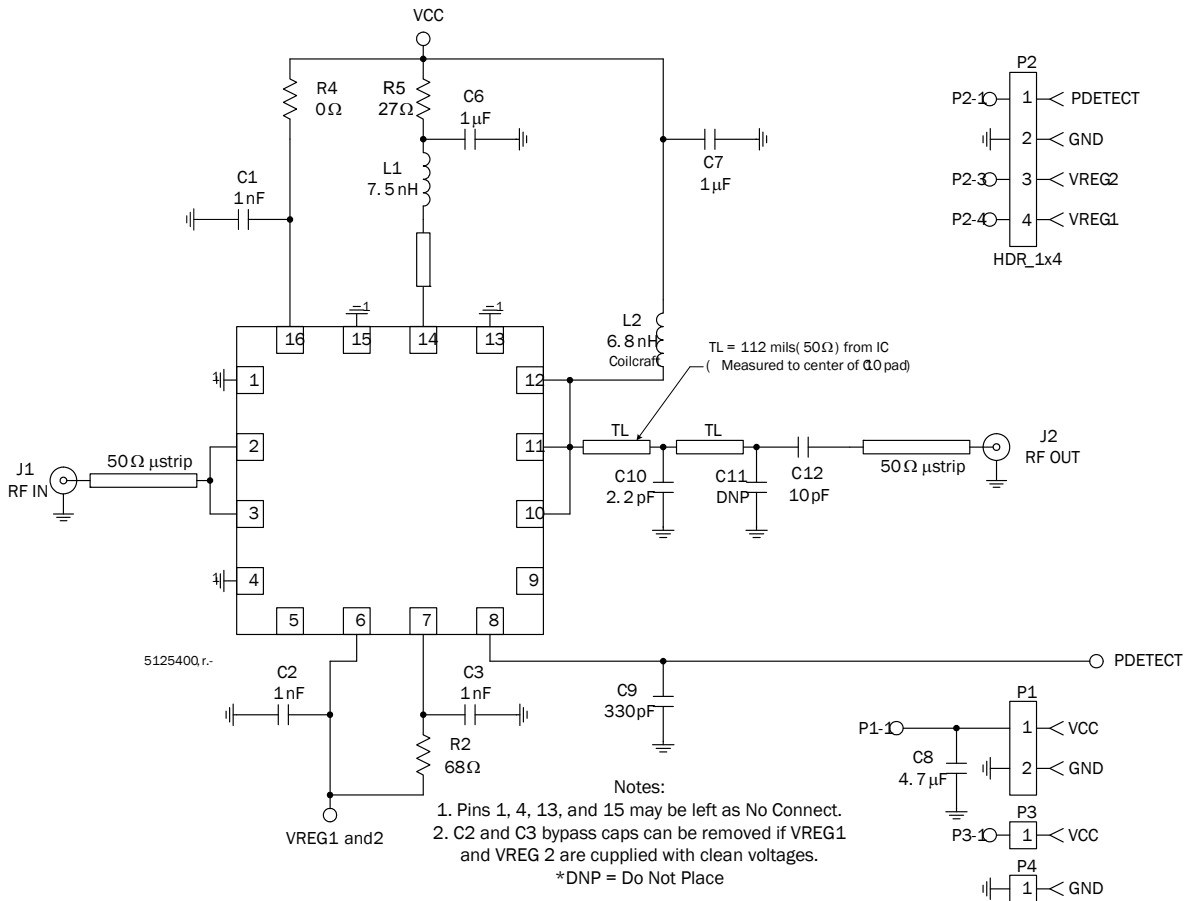
Package Drawing



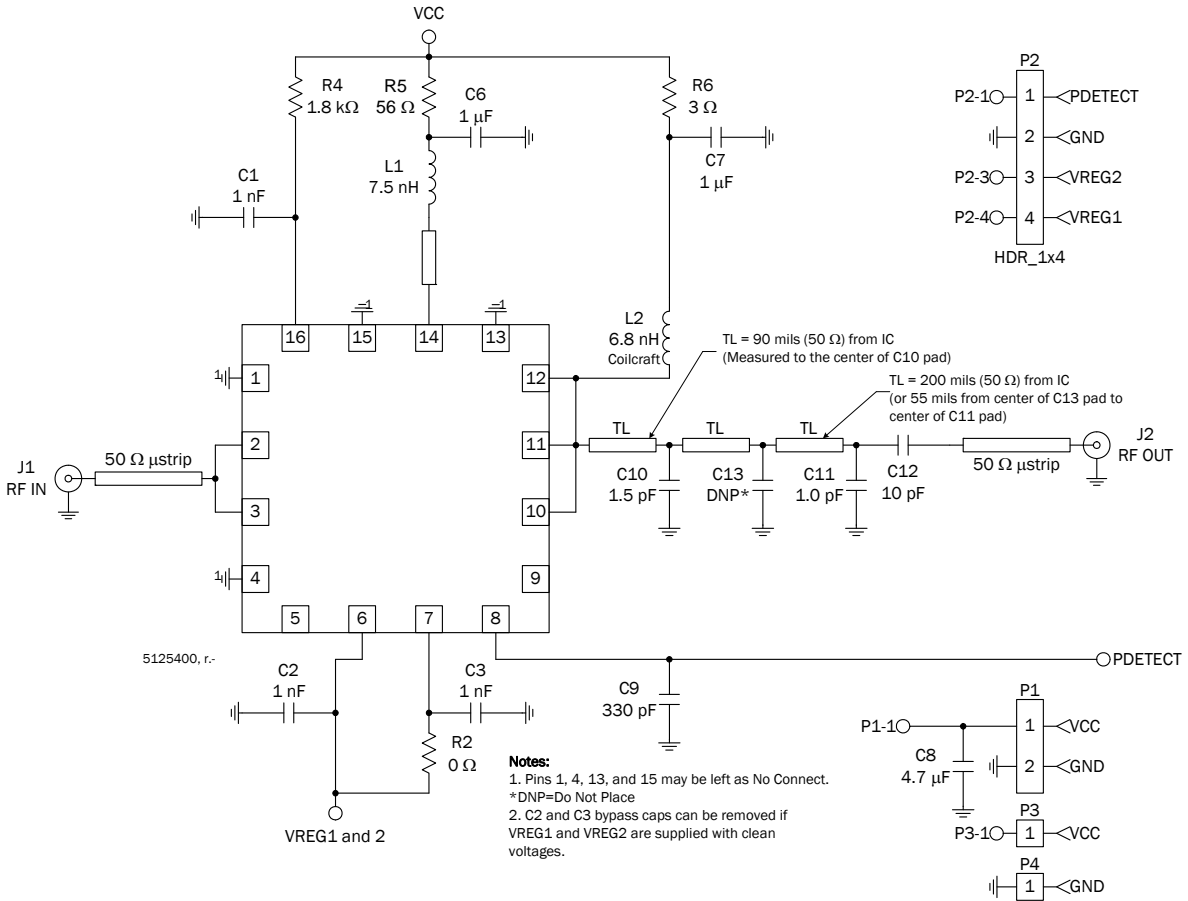
Pin Out



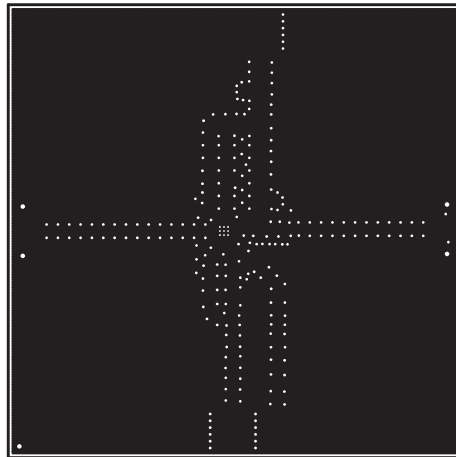
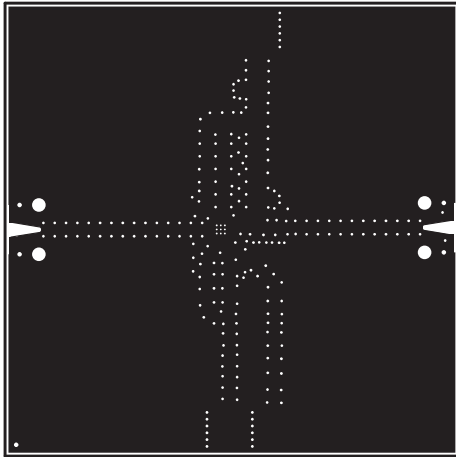
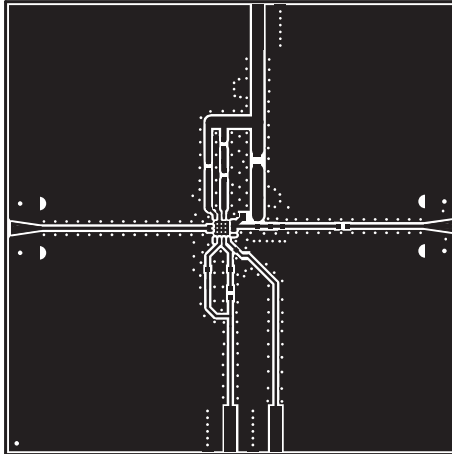
Evaluation Board Schematic - 3.3V



Evaluation Board Schematic - 5V



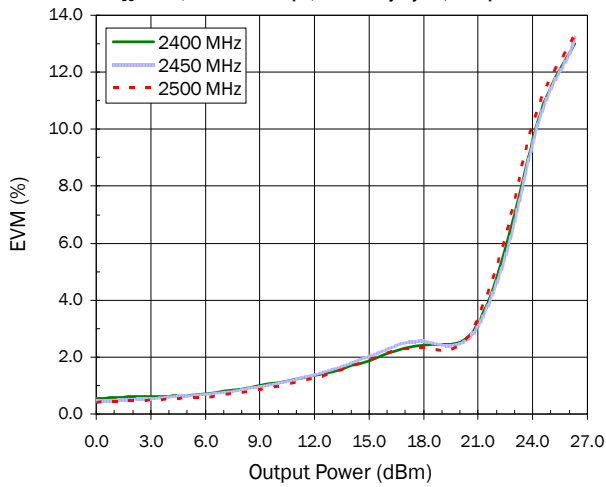
Evaluation Board Layout
Board Size 2.0" x 2.0"
Board Thickness 0.031", Board Material FR-4, Multi-Layer



3.3V Operation Typical Performance

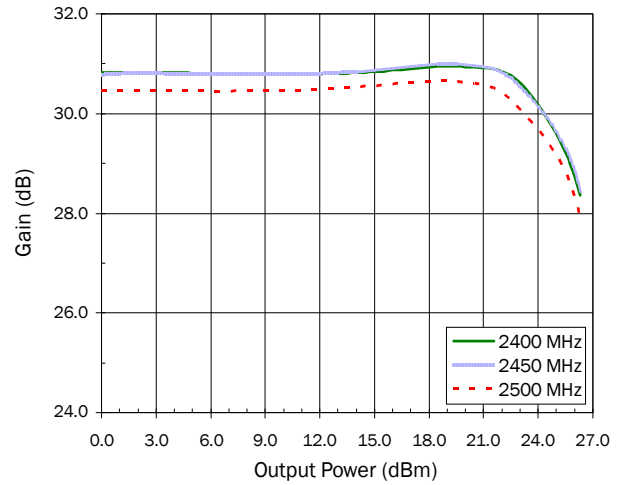
EVM versus Output Power versus Frequency

V_{cc}=3.3V, OFDM 54Mbps, 50% Duty Cycle, Temp=25 °C



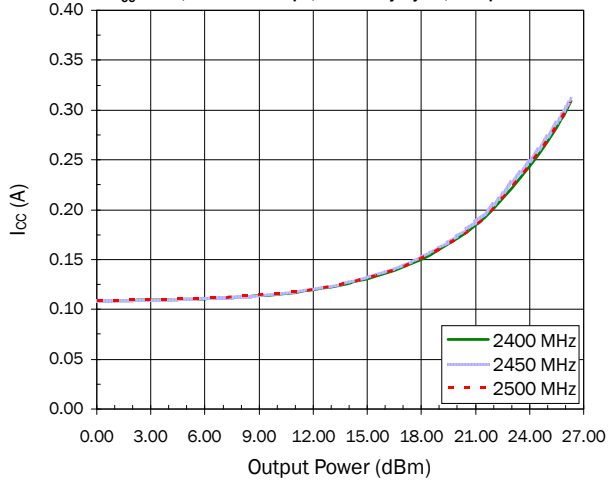
Gain versus Output Power versus Frequency

V_{cc}=3.3V, OFDM 54Mbps, 50% Duty Cycle, Temp=25 °C



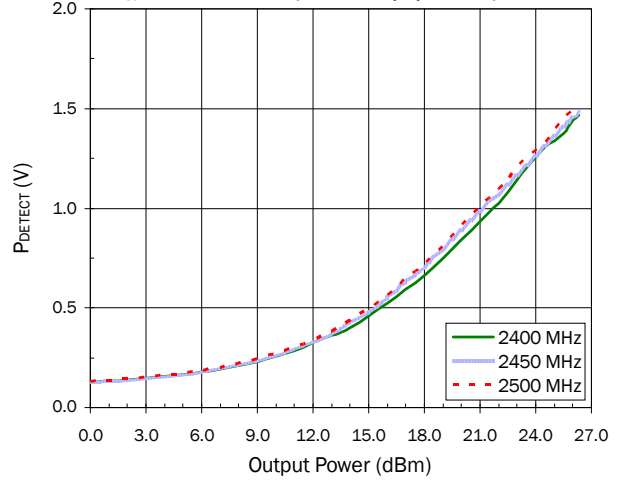
I_{cc} versus Output Power versus Frequency

V_{cc}=3.3V, OFDM 54Mbps, 50% Duty Cycle, Temp=25 °C



P_{DETECT} versus Output Power versus Frequency

V_{cc}=3.3V, OFDM 54Mbps, 50% Duty Cycle, Temp=25 °C



PCB Design Requirements

PCB Surface Finish

The PCB surface finish used for RFMD's qualification process is electroless nickel, immersion gold. Typical thickness is 3µinch to 8µinch gold over 180µinch nickel.

PCB Land Pattern Recommendation

PCB land patterns for RFMD components are based on IPC-7351 standards and RFMD empirical data. The pad pattern shown has been developed and tested for optimized assembly at RFMD. The PCB land pattern has been developed to accommodate lead and package tolerances. Since surface mount processes vary from company to company, careful process development is recommended.

PCB Metal Land Pattern

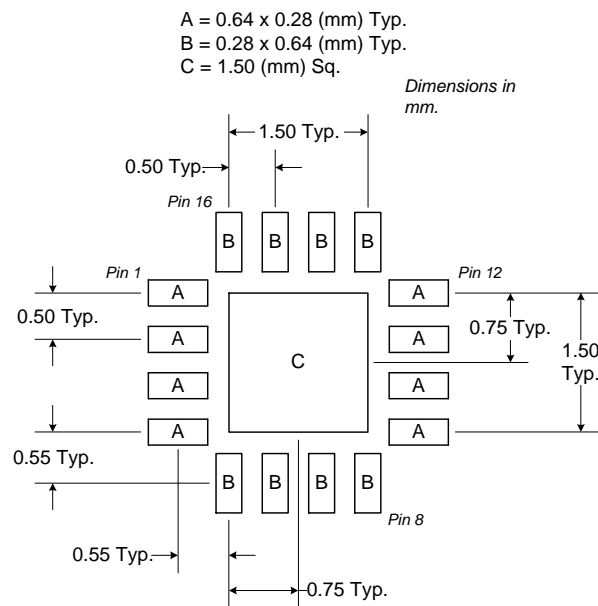


Figure 1. PCB Metal Land Pattern (Top View)

PCB Solder Mask Pattern

Liquid Photo-Imageable (LPI) solder mask is recommended. The solder mask footprint will match what is shown for the PCB metal land pattern with a 2mil to 3mil expansion to accommodate solder mask registration clearance around all pads. The center-grounding pad shall also have a solder mask clearance. Expansion of the pads to create solder mask clearance can be provided in the master data or requested from the PCB fabrication supplier.

A = 0.74 x 0.38 (mm) Typ.
 B = 0.38 x 0.74 (mm) Typ.
 C = 1.60 (mm) Sq.

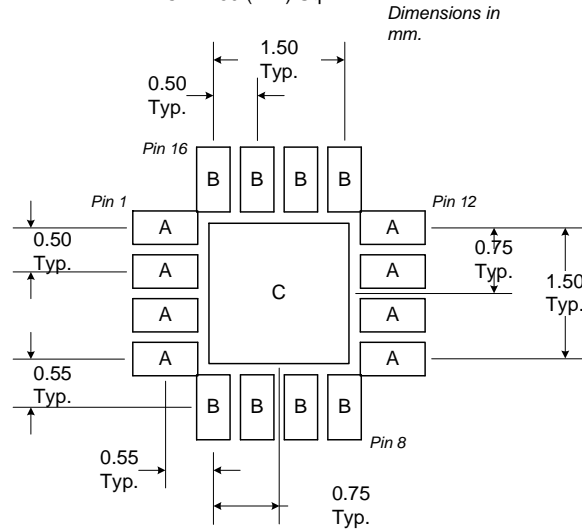


Figure 2. PCB Solder Mask Pattern (Top View)

Thermal Pad and Via Design

The PCB land pattern has been designed with a thermal pad that matches the die paddle size on the bottom of the device.

Thermal vias are required in the PCB layout to effectively conduct heat away from the package. The via pattern has been designed to address thermal, power dissipation and electrical requirements of the device as well as accommodating routing strategies.

The via pattern used for the RFMD qualification is based on thru-hole vias with 0.203mm to 0.330mm finished hole size on a 0.5mm to 1.2mm grid pattern with 0.025mm plating on via walls. If micro vias are used in a design, it is suggested that the quantity of vias be increased by a 4:1 ratio to achieve similar results.

RoHS* Banned Material Content

RoHS Compliant: Yes
 Package total weight in grams (g): 0.015
 Compliance Date Code: N/A
 Bill of Materials Revision: -
 Pb Free Category: e3

Bill of Materials	Parts Per Million (PPM)					
	Pb	Cd	Hg	Cr VI	PBB	PBDE
Die	0	0	0	0	0	0
Molding Compound	0	0	0	0	0	0
Lead Frame	0	0	0	0	0	0
Die Attach Epoxy	0	0	0	0	0	0
Wire	0	0	0	0	0	0
Solder Plating	0	0	0	0	0	0

This RoHS banned material content declaration was prepared solely on information, including analytical data, provided to RFMD by its suppliers, and applies to the Bill of Materials (BOM) revision noted above.

* DIRECTIVE 2002/95/EC OF THE EUROPEAN PARLIAMENT AND OF THE COUNCIL of 27 January 2003 on the restriction of the use of certain hazardous substances in electrical and electronic equipment



Компания «ЭлектроПласт» предлагает заключение долгосрочных отношений при поставках импортных электронных компонентов на взаимовыгодных условиях!

Наши преимущества:

- Оперативные поставки широкого спектра электронных компонентов отечественного и импортного производства напрямую от производителей и с крупнейших мировых складов;
- Поставка более 17-ти миллионов наименований электронных компонентов;
- Поставка сложных, дефицитных, либо снятых с производства позиций;
- Оперативные сроки поставки под заказ (от 5 рабочих дней);
- Экспресс доставка в любую точку России;
- Техническая поддержка проекта, помощь в подборе аналогов, поставка прототипов;
- Система менеджмента качества сертифицирована по Международному стандарту ISO 9001;
- Лицензия ФСБ на осуществление работ с использованием сведений, составляющих государственную тайну;
- Поставка специализированных компонентов (Xilinx, Altera, Analog Devices, Intersil, Interpoint, Microsemi, Aeroflex, Peregrine, Syfer, Eurofarad, Texas Instrument, Miteq, Cobham, E2V, MA-COM, Hittite, Mini-Circuits, General Dynamics и др.);

Помимо этого, одним из направлений компании «ЭлектроПласт» является направление «Источники питания». Мы предлагаем Вам помощь Конструкторского отдела:

- Подбор оптимального решения, техническое обоснование при выборе компонента;
- Подбор аналогов;
- Консультации по применению компонента;
- Поставка образцов и прототипов;
- Техническая поддержка проекта;
- Защита от снятия компонента с производства.



Как с нами связаться

Телефон: 8 (812) 309 58 32 (многоканальный)

Факс: 8 (812) 320-02-42

Электронная почта: org@eplast1.ru

Адрес: 198099, г. Санкт-Петербург, ул. Калинина, дом 2, корпус 4, литера А.