

LTC2602

Dual 16-Bit Rail-to-Rail V_{OUT} DAC

DESCRIPTION

Demonstration circuit 778A features the [LTC[®]2602](#) dual 16-Bit DAC. This device establishes a new board-density benchmark for 16-bit DACs and advances performance standards for output drive, load regulation, and crosstalk in single-supply, voltage-output DACs.

DC778A has many features for evaluating the performance of the LTC2602. Onboard 5V, 4.096V, and 2.5V precision references are provided, and the LTC2602 may be powered by the 5V reference for evaluating rail-to-rail operation.

Another feature of this board is the onboard LTC2422 20-bit ADC for monitoring DAC output voltage. The 16ppm total error of this device is adequate for taking meaningful measurements of various LTC2602 parameters.

Design files for this circuit board are available at <http://www.linear.com/demo>

LT, LT, LTC, LTM, Linear Technology and the Linear Logo are registered and QuikEval is a trademark of Linear Technology Corporation. All other trademarks are the property of their respective owners.

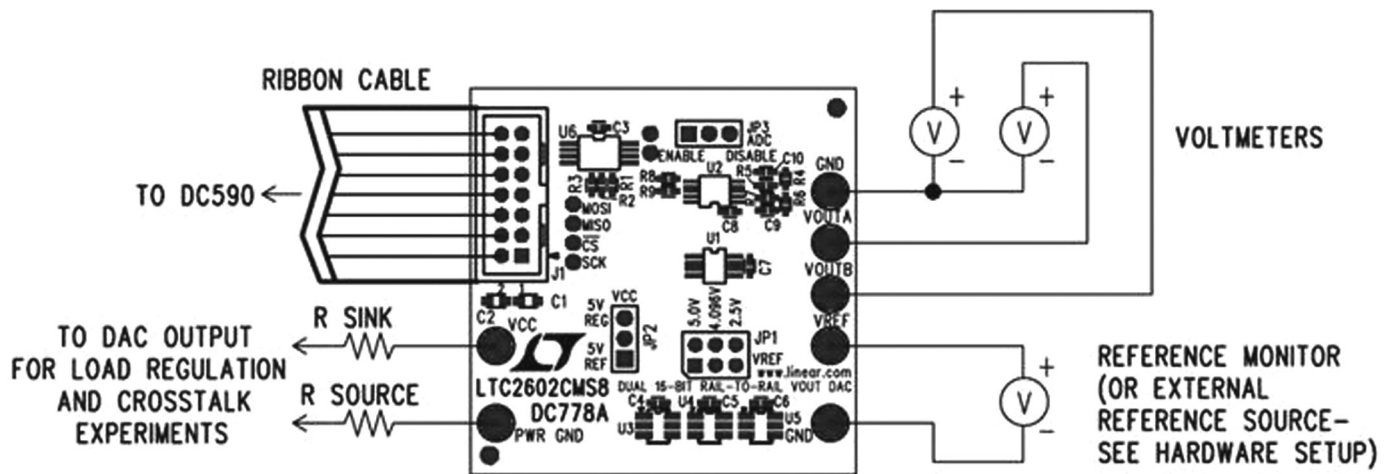


Figure 1. Proper Measurement Equipment Setup

PERFORMANCE SUMMARY

PARAMETER	CONDITION	VALUE
Resolution		16 Bits
Monotonicity	$V_{CC} = 5V, V_{REF} = 4.096V$	16 Bits
Differential Nonlinearity	$V_{CC} = 5V, V_{REF} = 4.096V$	$\pm 1\text{LSB}$
Integral Nonlinearity	$V_{CC} = 5V, V_{REF} = 4.096V$	$\pm 12\text{LSB Typical}$
Load Regulation	$V_{CC} = V_{REF} = 5V, \text{Mid-Scale}, I_{OUT} = \pm 15\text{mA}$	2LSB/mA Max
DC Crosstalk	Due to load current change on any other channel	$3.5\mu\text{V/mA}$

QUICK START PROCEDURE

Connect the DC778A to a DC590 USB serial controller using the supplied 14-conductor ribbon cable. Connect the DC590 to a host PC with a standard USB A/B cable. Run the QuikEval™ evaluation software supplied with the DC590 or download it from www.linear.com/software. The

correct control panel will be loaded automatically. Click the COLLECT button to begin outputting codes to the DAC and reading back the resulting output voltage.

Complete software documentation is available from the Help menu item, as features may be added periodically.

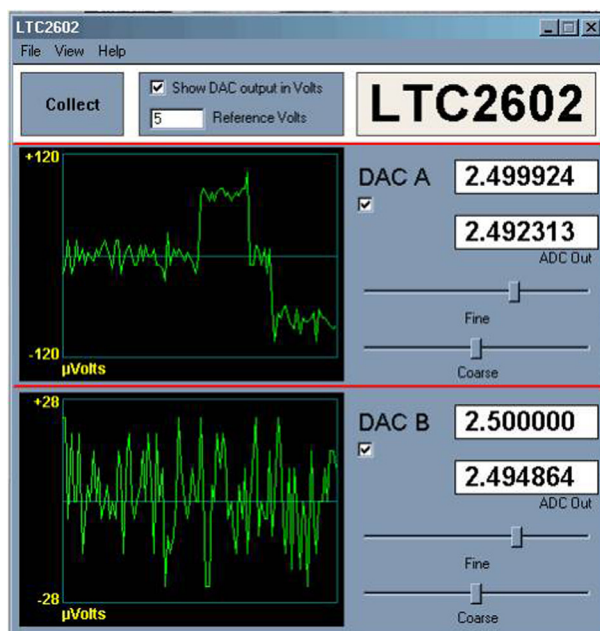


Figure 2. QuikEval Software Screenshot

HARDWARE SETUP

Jumpers

JP1 – V_{REF} Select. Select 5V, 4.096V or 2.5V reference. To apply an external reference through the VREF turret, remove this jumper.

JP2 – V_{CC} Select. V_{CC} is taken either from the onboard 5V reference or the 5V regulated supply from the controller board. Selecting the 5V reference for V_{CC} and V_{REF} allows characterization of rail-to-rail operation of the LTC2600.

JP3 – ADC Disable. Set to ON for operation with the DC590 serial controller. When using in the customer's end application, the ADC can be completely disabled by setting jumper to DISABLE.

For very sensitive noise measurements when using the LTC supplied software, set the output voltage and stop reading voltage via the collect button on the control panel.

Analog Connections

VOUTA, VOUTB – LTC2602 Outputs

VREF – The VREF turret is connected directly to the reference terminals of the LTC2602 and LTC2422 ADC. When one of the onboard references is being used, the reference voltage may be monitored at this point. An external reference may also be applied to this turret after removing JP1.

Grounding and Power Connections

Power (V_{CC}) – Normally DC778A is powered by the DC590 controller. V_{CC} can be supplied to this turret, however the power supply on the DC590 must be disabled! Refer to the DC590 quick start guide for more details on this mode of operation.

HARDWARE SETUP

Grounding – Separate power and signal grounds are provided. Any large currents drawn from the DAC outputs should be returned to the power ground. Also, if an external power supply is connected, the power ground should be used. The signal ground is connected to the exposed

ground planes at the top and bottom edges of the board, and to the two turrets labeled GND. Use signal ground as the reference point for measurements and connections to external circuits.

EXPERIMENTS

The following experiments are intended to demonstrate some of the outstanding features of the LTC2602. All can be performed using the onboard LTC2422 to monitor the DAC output voltage. The indicated output voltage will typically agree with an HP3458A voltmeter to five digits. If a DAC is sinking or sourcing a significant current, then the output voltage should be measured as close to the DAC as possible.

Most of the data sheet specifications use a 4.096V reference, so this is the preferred reference to use for these experiments. Using the 5V reference has the limitation that V_{CC} may be slightly lower than V_{REF} , which may affect the full-scale error. Selecting the 5V reference as the source for V_{CC} overcomes this, however the total current that the LTC2602 can source will be limited to approximately 5mA.

Using an external power supply is highly recommended for these experiments, especially those that draw significant current. Refer to the DC590 quick start guide for details.

Resolution

The onboard LTC2422 ADC has an input resolution of 6 μ V. This will easily resolve a 1LSB (76 μ V for $V_{REF} = 5V$, 62.5 μ V for $V_{REF} = 4.096V$) change in the LTC2602 output. Set the DAC output to a voltage close to mid-scale. Select the FINE slider on the control panel with the mouse and use the right and left arrow keys to step the output by single LSBs. The change should be clearly visible in the output graph. (It may be necessary to wait for the graph to clear if a large step has just occurred.)

Integral Nonlinearity

A rough measurement of INL can be taken using the onboard ADC. Measure one of the LTC2602 outputs at code 256 and 65,535 and calculate the slope and intercept using a

spreadsheet. Next, take several readings at intermediate points. The readings should not deviate from the calculated line by more than 64LSBs, and they will typically be within 12LSBs.

Load Regulation/DC Output Impedance

Select “5V REG” for V_{CC} source. Set one of the outputs to mid-scale (code 32768.) source or sink 15mA from one of the DAC outputs by pulling it to power ground or V_{CC} with an appropriate value resistor. The voltage change should be less than 2.25mV, corresponding to an output impedance of 0.15 Ω . Output impedance is typically less than 0.030 Ω . (Measure DAC voltage at the output pin if using a voltmeter.)

Zero-Scale Error

Set one of the DACs to code 0. The measured output should be less than 9mV and will typically be less than 1mV.

Offset Error

Set one of the DACs to code 256. The output voltage should be within 9mV of the correct value, or $V_{REF} \times 256/65535$.

Gain Error

Set one of the DACs to code 65,535. The output voltage should be within 0.7% of V_{REF} , and will typically be within 0.2%.

DC Crosstalk

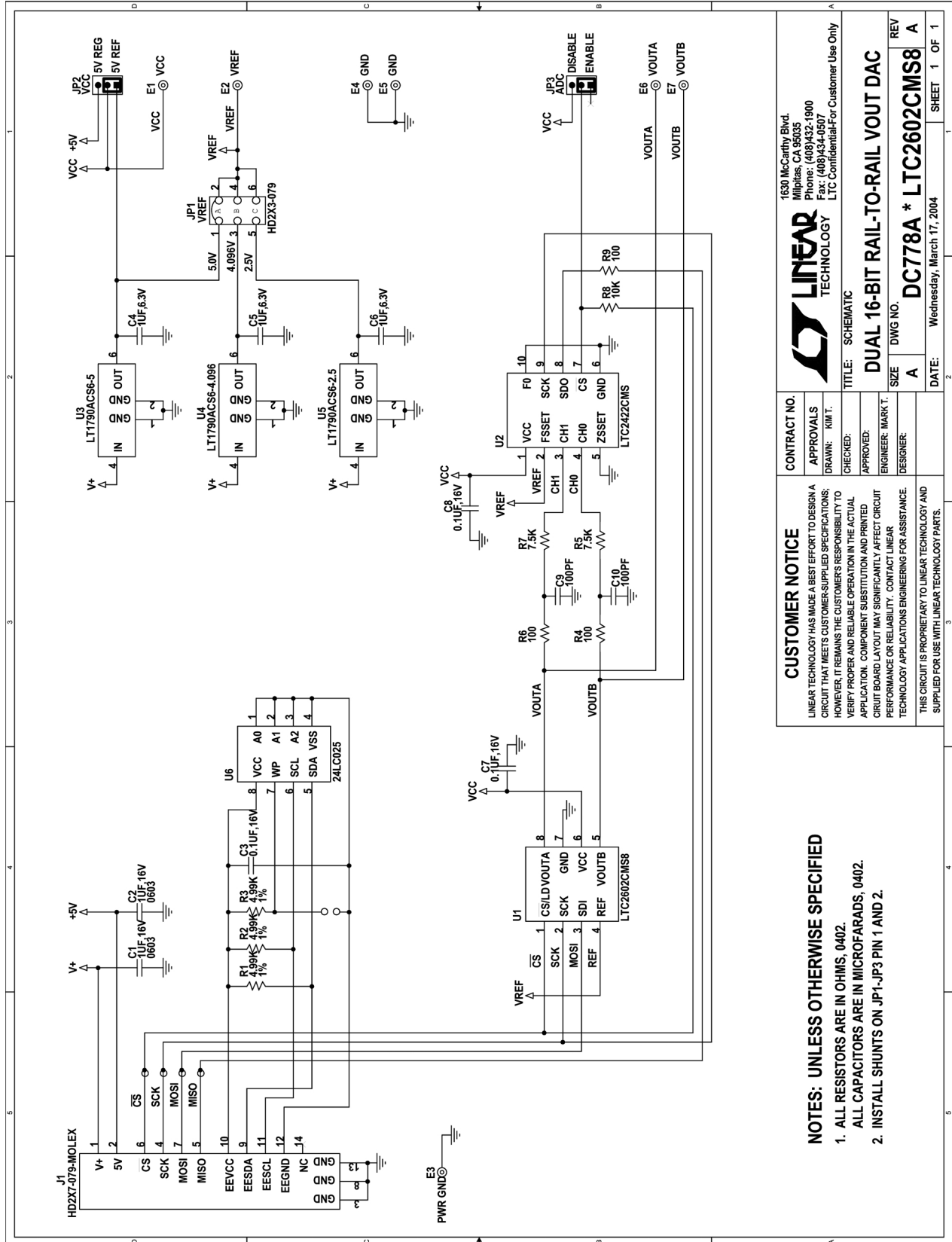
Set one of the DACs to mid-scale. Connect a 250 Ω resistor from the output to V_{CC} or power ground (to sink or source 10mA, respectively, when the 5V reference is being used.) The other output should not change by more than 3.5 μ V per milliamp of load current.

DEMO MANUAL DC778A

PARTS LIST

ITEM	QTY	REFERENCE	PART DESCRIPTION	MANUFACTURE/PART NUMBER
1	2	C1, C2	CAP., X7R, 1 μ F 16V, 0603	TDK, C1608X7R1C105MT
2	3	C3, C7, C8	CAP., X7R, 0.1 μ F 16V, 0402	TDK, C1005X7R1C104MT
3	3	C4, C5, C6	CAP., X5R, 1 μ F 6.3V, 0402	TDK, C1005X5R0J105MT
4	2	C9, C10	CAP., NPO, 100PF 50V, 0402	AVX, 04025A101MAT
5	7	E1, E2, E3, E4, E5, E6, E7	TESTPOINT, TURRET, 0.064"	MILL-MAX, 2308-2
6	1	JP1	JMP, 2X3, 0.079CC	COMM-CON, 2202S-06-G2
7	2	JP2, JP3	JMP, 3PIN 1 ROW 0.079CC	COMM-CON, 2802S-03-G1
8	3	SHUNTS FOR JP1-JP3 PIN 1 AND 2	SHUNT, 0.079" CENTER	COMM-CON CCIJ2MM-138G
9	1	J1	HEADER, 2X7PIN, 0.079CC	MOLEX, 87331-1420
10	3	R1, R2, R3	RES., CHIP 4.99k 1/16W 1%, 0402	AAC, CR05-4991FM
11	3	R4, R6, R9	RES., CHIP 100 Ω 1/16W 5%, 0402	AAC, CR05-101JM
12	2	R5, R7	RES., CHIP 7.5k 1/16W 5%, 0402	AAC, CR05-752JM
13	1	R8	RES., CHIP 10k 1/16W 5%, 0402	AAC, CR05-103JM
14	1	U1	I.C., LTC2602CMS8, MSOP8	LINEAR TECH., LTC2602CMS8
15	1	U2	I.C., LTC2422CMS, MSOP10	LINEAR TECH., LTC2422CMS
16	1	U3	I.C., LT1790ACS6-5, SOT23-6	LINEAR TECH., LT1790ACS6-5
17	1	U4	I.C., LT1790ACS6-4.096, SOT23-6	LINEAR TECH., LT1790ACS6-4.096
18	1	U5	I.C., LT1790ACS6-2.5, SOT23-6	LINEAR TECH., LT1790ACS6-2.5
19	1	U6	I.C., 24LC025, TSSOP8	MICROCHIP, 24LC025

SCHEMATIC DIAGRAM



LINEAR TECHNOLOGY
 1630 McCarthy Blvd.
 Milpitas, CA 95035
 Phone: (408)432-1900
 Fax: (408)434-0507
 LTC Confidential/For Customer Use Only

CUSTOMER NOTICE
 LINEAR TECHNOLOGY HAS MADE A BEST EFFORT TO DESIGN A CIRCUIT THAT MEETS CUSTOMER-SUPPLIED SPECIFICATIONS; HOWEVER, IT REMAINS THE CUSTOMER'S RESPONSIBILITY TO VERIFY PROPER AND RELIABLE OPERATION IN THE ACTUAL APPLICATION. COMPONENT SUBSTITUTION AND PRINTED CIRCUIT BOARD LAYOUT MAY SIGNIFICANTLY AFFECT CIRCUIT PERFORMANCE OR RELIABILITY. CONTACT LINEAR TECHNOLOGY APPLICATIONS ENGINEERING FOR ASSISTANCE. THIS CIRCUIT IS PROPRIETARY TO LINEAR TECHNOLOGY AND SUPPLIED FOR USE WITH LINEAR TECHNOLOGY PARTS.

CONTRACT NO.
APPROVALS
 DRAWN: KMIT.
 CHECKED:
 APPROVED:
 ENGINEER: MARK T.
 DESIGNER:

TITLE: SCHEMATIC
DUAL 16-BIT RAIL-TO-RAIL VOUT DAC
DC778A * LTC2602CMS8
 SIZE: A
 DWG NO.:
 DATE: Wednesday, March 17, 2004
 SHEET 1 OF 1

- NOTES: UNLESS OTHERWISE SPECIFIED**
1. ALL RESISTORS ARE IN OHMS, 0402.
 2. ALL CAPACITORS ARE IN MICROFARADS, 0402.
 3. INSTALL SHUNTS ON JP1-JP3 PIN 1 AND 2.



Information furnished by Linear Technology Corporation is believed to be accurate and reliable. However, no responsibility is assumed for its use. Linear Technology Corporation makes no representation that the interconnection of its circuits as described herein will not infringe on existing patent rights.

DEMO MANUAL DC778A

DEMONSTRATION BOARD IMPORTANT NOTICE

Linear Technology Corporation (LTC) provides the enclosed product(s) under the following **AS IS** conditions:

This demonstration board (DEMO BOARD) kit being sold or provided by Linear Technology is intended for use for **ENGINEERING DEVELOPMENT OR EVALUATION PURPOSES ONLY** and is not provided by LTC for commercial use. As such, the DEMO BOARD herein may not be complete in terms of required design-, marketing-, and/or manufacturing-related protective considerations, including but not limited to product safety measures typically found in finished commercial goods. As a prototype, this product does not fall within the scope of the European Union directive on electromagnetic compatibility and therefore may or may not meet the technical requirements of the directive, or other regulations.

If this evaluation kit does not meet the specifications recited in the DEMO BOARD manual the kit may be returned within 30 days from the date of delivery for a full refund. **THE FOREGOING WARRANTY IS THE EXCLUSIVE WARRANTY MADE BY THE SELLER TO BUYER AND IS IN LIEU OF ALL OTHER WARRANTIES, EXPRESSED, IMPLIED, OR STATUTORY, INCLUDING ANY WARRANTY OF MERCHANTABILITY OR FITNESS FOR ANY PARTICULAR PURPOSE. EXCEPT TO THE EXTENT OF THIS INDEMNITY, NEITHER PARTY SHALL BE LIABLE TO THE OTHER FOR ANY INDIRECT, SPECIAL, INCIDENTAL, OR CONSEQUENTIAL DAMAGES.**

The user assumes all responsibility and liability for proper and safe handling of the goods. Further, the user releases LTC from all claims arising from the handling or use of the goods. Due to the open construction of the product, it is the user's responsibility to take any and all appropriate precautions with regard to electrostatic discharge. Also be aware that the products herein may not be regulatory compliant or agency certified (FCC, UL, CE, etc.).

No License is granted under any patent right or other intellectual property whatsoever. **LTC assumes no liability for applications assistance, customer product design, software performance, or infringement of patents or any other intellectual property rights of any kind.**

LTC currently services a variety of customers for products around the world, and therefore this transaction **is not exclusive**.

Please read the DEMO BOARD manual prior to handling the product. Persons handling this product must have electronics training and observe good laboratory practice standards. **Common sense is encouraged.**

This notice contains important safety information about temperatures and voltages. For further safety concerns, please contact a LTC application engineer.

Mailing Address:

Linear Technology
1630 McCarthy Blvd.
Milpitas, CA 95035

Copyright © 2004, Linear Technology Corporation



Компания «ЭлектроПласт» предлагает заключение долгосрочных отношений при поставках импортных электронных компонентов на взаимовыгодных условиях!

Наши преимущества:

- Оперативные поставки широкого спектра электронных компонентов отечественного и импортного производства напрямую от производителей и с крупнейших мировых складов;
- Поставка более 17-ти миллионов наименований электронных компонентов;
- Поставка сложных, дефицитных, либо снятых с производства позиций;
- Оперативные сроки поставки под заказ (от 5 рабочих дней);
- Экспресс доставка в любую точку России;
- Техническая поддержка проекта, помощь в подборе аналогов, поставка прототипов;
- Система менеджмента качества сертифицирована по Международному стандарту ISO 9001;
- Лицензия ФСБ на осуществление работ с использованием сведений, составляющих государственную тайну;
- Поставка специализированных компонентов (Xilinx, Altera, Analog Devices, Intersil, Interpoint, Microsemi, Aeroflex, Peregrine, Syfer, Eurofarad, Texas Instrument, Miteq, Cobham, E2V, MA-COM, Hittite, Mini-Circuits, General Dynamics и др.);

Помимо этого, одним из направлений компании «ЭлектроПласт» является направление «Источники питания». Мы предлагаем Вам помощь Конструкторского отдела:

- Подбор оптимального решения, техническое обоснование при выборе компонента;
- Подбор аналогов;
- Консультации по применению компонента;
- Поставка образцов и прототипов;
- Техническая поддержка проекта;
- Защита от снятия компонента с производства.



Как с нами связаться

Телефон: 8 (812) 309 58 32 (многоканальный)

Факс: 8 (812) 320-02-42

Электронная почта: org@eplast1.ru

Адрес: 198099, г. Санкт-Петербург, ул. Калинина, дом 2, корпус 4, литера А.