

# Improved Industry Standard CMOS 12-Bit Multiplying DAC

## FEATURES

- Improved Direct Replacement for AD7541A and AD7541
- 4-Quadrant Multiplication
- **12-Bit End-Point Linearity:  $\pm 0.5\text{LSB}$  DNL and INL Over Temperature**
- All Grades Guaranteed Monotonic
- **Maximum Gain Error:  $\pm 1\text{LSB}$**
- Single 5V to 15V Supply
- TTL and CMOS Logic Compatible
- Reduced Sensitivity to Op Amp Offset
- Low Power Consumption
- Virtually Latch-Up Proof
- Low Cost

## APPLICATIONS

- Motion Control Systems
- Microprocessor-Controlled Calibration
- Automatic Test Equipment
- Programmable Gain Amplifiers
- Digitally Controlled Filters

## DESCRIPTION

The LTC<sup>®</sup>7541A is a 12-bit resolution multiplying digital-to-analog converter (DAC).

Laser-trimmed thin-film resistors provide excellent absolute accuracy. Precision matched resistors and CMOS circuitry result in remarkable stability with temperature and supply variations.

The LTC7541A is a superior pin compatible replacement for the industry standard AD7541A/AD7541. Improvements include better typical accuracy and stability and reduced sensitivity to output amplifier offset. The LTC7541A is also very resistant to latch-up.

In addition to 2-quadrant and 4-quadrant multiplying configurations, the LTC7541A performs well in digitally programmable gain and noninverting voltage output applications. Low cost, improved performance and versatility make the LTC7541A the best choice for many new designs and for upgrading existing systems. Parts are available in 18-pin PDIP and 18-pin SO Wide packages.

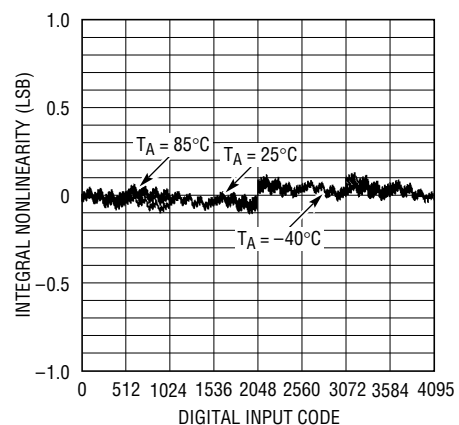
LT, LTC and LT are registered trademarks of Linear Technology Corporation.

## TYPICAL APPLICATION

**2-Quadrant Multiplying DAC Has Less Than 0.5LSB (Typ) Total Unadjusted Error**



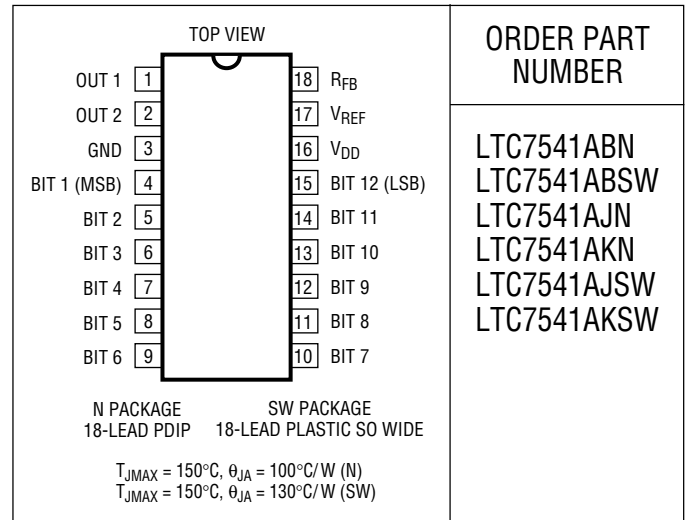
**Integral Nonlinearity Over Temperature**



## ABSOLUTE MAXIMUM RATINGS

$V_{DD}$ to GND .....	-0.5V to 17V
$V_{REF}$ to GND .....	$\pm 25V$
$R_{FB}$ to GND .....	$\pm 25V$
Digital Inputs to GND .....	-0.5V to ( $V_{DD} + 0.5V$ )
OUT 1, OUT 2 to GND .....	-0.5V to ( $V_{DD} + 0.5V$ )
Power Dissipation .....	450mW (Derate 6mW/°C Above 75°C)
Maximum Junction Temperature .....	-65°C to 125°C
Operating Temperature Range	
Commercial (J, K Versions) .....	0°C to 70°C
Industrial (B Version) .....	-40°C to 85°C
Storage Temperature Range .....	-65°C to 150°C
Lead Temperature (Soldering, 10 sec) .....	300°C

## PACKAGE/ORDER INFORMATION



### ORDER PART NUMBER

LTC7541ABN  
LTC7541ABSW  
LTC7541AJN  
LTC7541AKN  
LTC7541AJSW  
LTC7541AKSW

Consult factory for Military grade parts.

## ELECTRICAL CHARACTERISTICS

$V_{DD} = 15V, V_{REF} = 10V, OUT 1 = OUT 2 = GND = 0V, T_A = T_{MIN}$  to  $T_{MAX}$ , unless otherwise specified.

SYMBOL	PARAMETER	CONDITIONS	LTC7541AJ			LTC7541AK/LTC7541AB			UNITS	
			MIN	TYP	MAX	MIN	TYP	MAX		
<b>Accuracy</b>										
	Resolution		●	12			12		Bits	
INL	Integral Nonlinearity (Relative Accuracy)	(Note 1)	●			$\pm 1$		$\pm 0.5$	LSB	
DNL	Differential Nonlinearity	Guaranteed Monotonic, $T_{MIN}$ to $T_{MAX}$	●			$\pm 1$		$\pm 0.5$	LSB	
GE	Gain Error	(Note 2)	●			$T_A = 25^{\circ}C$		$\pm 1$	LSB	
						$T_{MIN}$ to $T_{MAX}$		$\pm 2$	LSB	
	Gain Temperature Coefficient	(Note 3)	●	1	5		1	5	ppm/°C	
$I_{LKG}$	Output Leakage Current	(Note 4)	●			$T_A = 25^{\circ}C$		$\pm 5$	nA	
						$T_{MIN}$ to $T_{MAX}$		$\pm 10$	nA	
PSRR	Power Supply Rejection	$V_{DD} = 15V \pm 5\%$	●			$\pm 0.002$		$\pm 0.002$	%/%	
<b>Reference Input</b>										
$R_{REF}$	$V_{REF}$ Input Resistance		●	7	11	15	7	11	15	k $\Omega$
	$V_{REF}$ Input Resistance Temperature Coefficient					-100		-100	ppm/°C	

## ELECTRICAL CHARACTERISTICS

$V_{DD} = 15V$ ,  $V_{REF} = 10V$ ,  $OUT\ 1 = OUT\ 2 = GND = 0V$ ,  $T_A = T_{MIN}$  to  $T_{MAX}$ , unless otherwise specified.

SYMBOL	PARAMETER	CONDITIONS	ALL GRADES			UNIT	
			MIN	TYP	MAX		
<b>Power Supply</b>							
$V_{DD}$	Operating Supply Range		●	5	15	16	V
$I_{DD}$	Supply Current	Digital Inputs = $V_{IH}$ or $V_{IL}$	●			2	mA
		Digital Inputs = 0V or $V_{DD}$	●			100	$\mu A$
<b>Digital Inputs</b>							
$V_{IH}$	Digital Input High Voltage		●	2.4			V
$V_{IL}$	Digital Input Low Voltage		●			0.8	V
$I_{IN}$	Digital Input Current		●		0.001	$\pm 1$	$\mu A$
$C_{IN}$	Digital Input Capacitance	(Note 3), $V_{IN} = 0V$	●			8	pF
<b>AC Performance</b>							
	Propagation Delay	(Notes 5, 6)				100	ns
	Digital-to-Analog Glitch Impulse	(Notes 5, 7)				1000	nV-sec
	Multiplying Feedthrough Error	$V_{REF} = \pm 10V$ , 10kHz Sinewave				1.0	mV <sub>P-P</sub>
	Output Current Settling Time	(Note 5), To 0.01% for Full-Scale Change				0.6	$\mu s$
$C_{OUT}$	Output Capacitance (Note 3)	Digital Inputs = $V_{IH}$	●			200	pF
			●			70	pF
		Digital Inputs = $V_{IL}$	●			70	pF
			●			200	pF

The ● denotes specifications which apply over the full operating temperature range.

**Note 1:**  $\pm 0.5LSB = \pm 0.012\%$  of full scale.

**Note 2:** Using internal feedback resistor.

**Note 3:** Guaranteed by design, not subject to test.

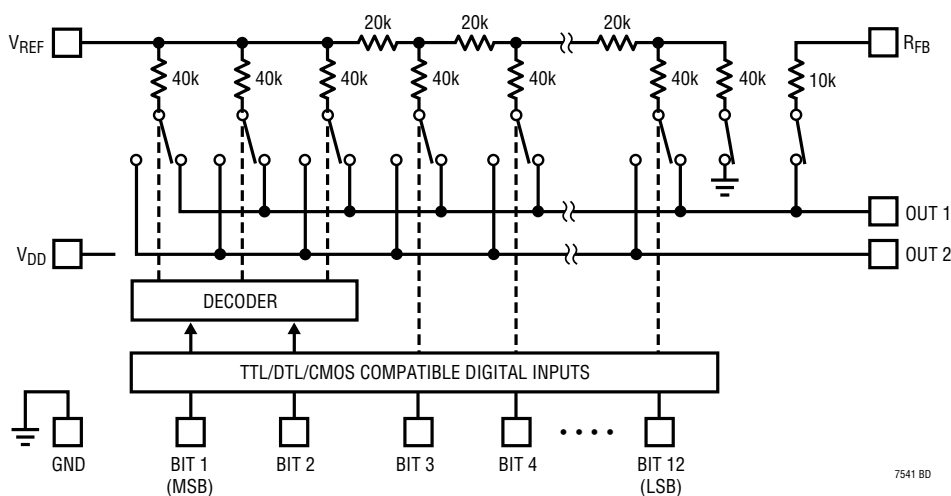
**Note 4:**  $I_{OUT1}$  with all digital inputs = 0V or  $I_{OUT2}$  with all digital inputs =  $V_{DD}$ .

**Note 5:**  $OUT\ 1$  load =  $100\Omega$  in parallel with 13pF.

**Note 6:** Measured from digital input change to 90% of final analog value. Digital inputs = 0V to  $V_{DD}$  or  $V_{DD}$  to 0V.

**Note 7:**  $V_{REF} = 0V$ . All digital inputs 0V to  $V_{DD}$  or  $V_{DD}$  to 0V. Measured using LT1363 as output amplifier.

## BLOCK DIAGRAM



7541 BD

## TYPICAL APPLICATIONS

### Unipolar Operation (2-Quadrant Multiplication)



Table 1. Unipolar Binary Code Table

DIGITAL INPUT		ANALOG OUTPUT $V_{OUT}$
MSB	LSB	
1111	1111 1111	$-V_{REF}$ (4095/4096)
1000	0000 0000	$-V_{REF}$ (2048/4096) = $-V_{REF}/2$
0000	0000 0001	$-V_{REF}$ (1/4096)
0000	0000 0000	0V

7541 TA03

### Bipolar Operation (4-Quadrant Multiplication)



Table 2. Bipolar Offset Binary Code Table

DIGITAL INPUT		ANALOG OUTPUT $V_{OUT}$
MSB	LSB	
1111	1111 1111	$V_{REF}$ (2047/2048)
1000	0000 0001	$V_{REF}$ (1/2048)
1000	0000 0000	0V
0111	1111 1111	$-V_{REF}$ (1/2048)
0000	0000 0000	$-V_{REF}$

7541 TA04

## RELATED PARTS

PART NUMBER	DESCRIPTION	COMMENTS
LTC1257	Complete Serial I/O $V_{OUT}$ 12-Bit DAC	5V to 15V Single Supply in 8-Pin SO and PDIP
LTC1451/LTC1452/LTC1453	Complete Serial I/O $V_{OUT}$ 12-Bit DACs	3V/5V Single Supply in 8-Pin SO and PDIP
LTC7543/LTC8143	Serial I/O Multiplying 12-Bit DACs	Clear Pin, Serial Data Output (LTC8143)
LTC8043	Serial Multiplying 12-Bit DAC	8-Pin SO and PDIP



Компания «ЭлектроПласт» предлагает заключение долгосрочных отношений при поставках импортных электронных компонентов на взаимовыгодных условиях!

Наши преимущества:

- Оперативные поставки широкого спектра электронных компонентов отечественного и импортного производства напрямую от производителей и с крупнейших мировых складов;
- Поставка более 17-ти миллионов наименований электронных компонентов;
- Поставка сложных, дефицитных, либо снятых с производства позиций;
- Оперативные сроки поставки под заказ (от 5 рабочих дней);
- Экспресс доставка в любую точку России;
- Техническая поддержка проекта, помощь в подборе аналогов, поставка прототипов;
- Система менеджмента качества сертифицирована по Международному стандарту ISO 9001;
- Лицензия ФСБ на осуществление работ с использованием сведений, составляющих государственную тайну;
- Поставка специализированных компонентов (Xilinx, Altera, Analog Devices, Intersil, Interpoint, Microsemi, Aeroflex, Peregrine, Syfer, Eurofarad, Texas Instrument, Miteq, Cobham, E2V, MA-COM, Hittite, Mini-Circuits, General Dynamics и др.);

Помимо этого, одним из направлений компании «ЭлектроПласт» является направление «Источники питания». Мы предлагаем Вам помощь Конструкторского отдела:

- Подбор оптимального решения, техническое обоснование при выборе компонента;
- Подбор аналогов;
- Консультации по применению компонента;
- Поставка образцов и прототипов;
- Техническая поддержка проекта;
- Защита от снятия компонента с производства.



#### Как с нами связаться

**Телефон:** 8 (812) 309 58 32 (многоканальный)

**Факс:** 8 (812) 320-02-42

**Электронная почта:** [org@eplast1.ru](mailto:org@eplast1.ru)

**Адрес:** 198099, г. Санкт-Петербург, ул. Калинина, дом 2, корпус 4, литера А.