



FCIconnect.com

Copyright FCI.

1

2

List of "SFW__R-1/2STGE1LF" customer document

| DOCUMENT NO. | LIST |
|--------------|--|
| SC-SFW14 | SPEC. |
| JSA96365 | CAT.NO.TABLE FOR 1mm SPACING SMT CONNECTOR (SFW__R-1/2STG_LF) |
| JSA96366 | 1mm SPACING SMT CONNECTOR (SFW__R-1STG_LF) |
| JSA96367 | 1mm SPACING SMT CONNECTOR (SFW__R-2STG_LF) |
| JSA96368 | CAT.NO.TABLE FOR PLASTIC TAPE PACKAGED 1mm SPACING SMT CONNECTOR (SFW__R-1/2STGE1LF) |
| JSA96369 | PLASTIC TAPE PACKAGED 1mm SPACING SMT CONNECTOR (SFW__R-1STGE1LF) |
| JSA96370 | PLASTIC TAPE PACKAGED 1mm SPACING SMT CONNECTOR (SFW__R-2STGE1LF) |
| JSA96371 | RECOMMENDED CABLE (FPC) (SFW__R-1/2STG_) |
| GS-20-129 | HANDLING PROCEDURES |

| | | | | | | | | | | | | | | | |
|---------------|----------------|-----|------------|---|------------------------|---|-----------|----------------|------|--------------------------------|--------------------------|--------------|--|------|--|
| mat'l. code - | | | | surface ISO 1302 <input checked="" type="checkbox"/> 58 | | tolerance ISO 406 ISO 1101 | | projection | | product family 58RF | | CODE JP | | | |
| ltr | ecn no | dr | date | tolerances unless otherwise specified | | | | mm | | title | | | | | |
| A | J05-0243 | H.T | '05/4/20 | angles | linear | 1mm SPACING SMT CONNECTOR DOCUMENT LIST | | | | | | | | | |
| B | J06-0398 | H.T | 9/26/'06 | | | | | scale \times | | (Cat. No. : SFW__R-1/2STGE1LF) | | | | | |
| C | J09-0358 | M.Y | 2009-10-5 | | | | | | | dwg no | | sheet 1 of 1 | | size | |
| D | J09-0380 | M.Y | 2009-10-27 | dr | M.YAMASHITA 2009-10-27 | | JSA 96364 | | | A4 | | | | | |
| | | | | enrg | M.YAMASHITA 2009-10-27 | | | | | | | | | | |
| | | | | chr | S. Withu 2009-10-27 | | | | | | | | | | |
| | | | | appd | S. Daduan 2009-10-27 | | | | type | | Product Customer Drawing | | | | |
| sheet index | revision sheet | D | 1 | | | | | | | | | Rev. D | | | |

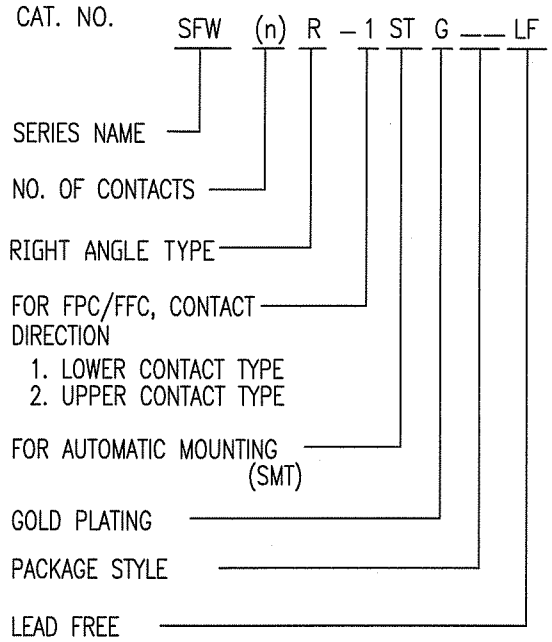
form: A4

1

2

CAT. NO. & DIMENSIONS

| NO. OF CONTACTS (n) | CAT. NO. | DIMENSIONS (NOTE2) | | | |
|---------------------|-------------------|--------------------|---------|---------|---------|
| | | A ± 0.2 | B ± 0.2 | C ± 0.2 | D ± 0.1 |
| 4 | SFW4R-1/2STG__LF | 9.8 | 8.6 | 3.0 | 5.3 |
| 5 | SFW5R-1/2STG__LF | 10.8 | 9.6 | 4.0 | 6.3 |
| 6 | SFW6R-1/2STG__LF | 11.8 | 10.6 | 5.0 | 7.3 |
| 7 | SFW7R-1/2STG__LF | 12.8 | 11.6 | 6.0 | 8.3 |
| 8 | SFW8R-1/2STG__LF | 13.8 | 12.6 | 7.0 | 9.3 |
| 9 | SFW9R-1/2STG__LF | 14.8 | 13.6 | 8.0 | 10.3 |
| 10 | SFW10R-1/2STG__LF | 15.8 | 14.6 | 9.0 | 11.3 |
| 11 | SFW11R-1/2STG__LF | 16.8 | 15.6 | 10.0 | 12.3 |
| 12 | SFW12R-1/2STG__LF | 17.8 | 16.6 | 11.0 | 13.3 |
| 13 | SFW13R-1/2STG__LF | 18.8 | 17.6 | 12.0 | 14.3 |
| 14 | SFW14R-1/2STG__LF | 19.8 | 18.6 | 13.0 | 15.3 |
| 15 | SFW15R-1/2STG__LF | 20.8 | 19.6 | 14.0 | 16.3 |
| 16 | SFW16R-1/2STG__LF | 21.8 | 20.6 | 15.0 | 17.3 |
| 17 | SFW17R-1/2STG__LF | 22.8 | 21.6 | 16.0 | 18.3 |
| 18 | SFW18R-1/2STG__LF | 23.8 | 22.6 | 17.0 | 19.3 |
| 19 | SFW19R-1/2STG__LF | 24.8 | 23.6 | 18.0 | 20.3 |
| 20 | SFW20R-1/2STG__LF | 25.8 | 24.6 | 19.0 | 21.3 |
| 21 | SFW21R-1/2STG__LF | 26.8 | 25.6 | 20.0 | 22.3 |
| 22 | SFW22R-1/2STG__LF | 27.8 | 26.6 | 21.0 | 23.3 |
| 23 | SFW23R-1/2STG__LF | 28.8 | 27.6 | 22.0 | 24.3 |
| 24 | SFW24R-1/2STG__LF | 29.8 | 28.6 | 23.0 | 25.3 |
| 25 | SFW25R-1/2STG__LF | 30.8 | 29.6 | 24.0 | 26.3 |
| 26 | SFW26R-1/2STG__LF | 31.8 | 30.6 | 25.0 | 27.3 |
| 27 | SFW27R-1/2STG__LF | 32.8 | 31.6 | 26.0 | 28.3 |
| 28 | SFW28R-1/2STG__LF | 33.8 | 32.6 | 27.0 | 29.3 |
| 29 | SFW29R-1/2STG__LF | 34.8 | 33.6 | 28.0 | 30.3 |
| 30 | SFW30R-1/2STG__LF | 35.8 | 34.6 | 29.0 | 31.3 |



NOTES

1. THIS PRODUCT IS THE CONNECTOR USED FOR FPC AND COPES WITH AUTOMATIC MOUNTING (SMT).
2. SEE PART DRAWINGS FOR DIMENSIONS A~D.

| | | | | | | | | | | | |
|--------------------------|--|------------|--|---------|-----------------|--|--|--|-------------------|--------|--|
| mat'l. code | | | surface 58 / tolerance ISO 1302 <input checked="" type="checkbox"/> ISO 406 / ISO 1101 | | projection | | product family 58RF | | CODE JP | | |
| ltr ecn no dr date | | | tolerances unless otherwise specified | | mm | | title CAT NO. TABLE FOR 1mm SPACING SMT CONNECTOR (Cat. No. SFW__R-1/2STG__LF) | | | | |
| A J05-0243 H.T 4/20/05 | | | angles linear | | scale \propto | | dwg no | | sheet 1 of 1 size | | |
| B J06-0398 H.T 9/26/06 | | | | | | | JSA 96365 | | A4 | | |
| C J09-0358 M.Y 2009-10-5 | | | | | | | type Product Customer Drawing | | | | |
| sheet index | | revision C | | sheet 1 | | | | | | Rev. C | |

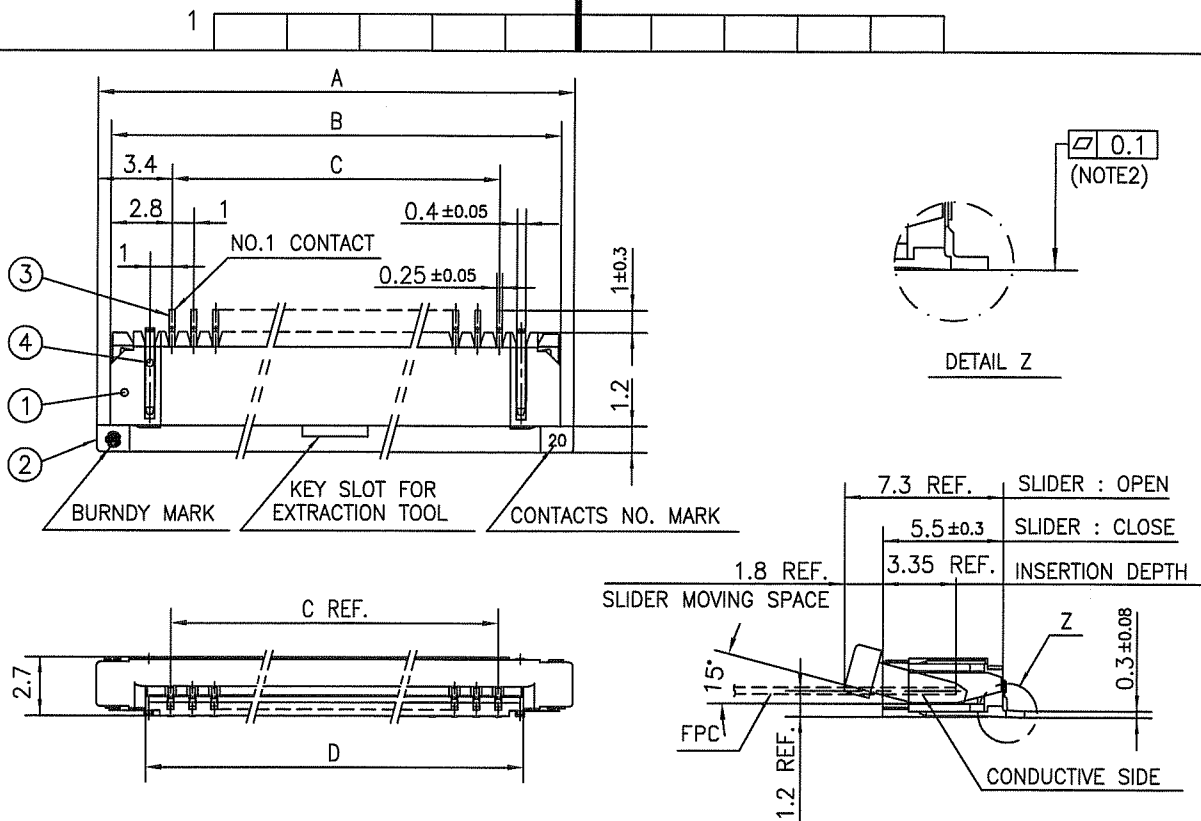
SC-SFW14 JSA96366 96367 96368 96371 form: A4



FCIconnect.com

Copyright FCI.





| PT. NO. | PARTS NAME | MATERIAL | Q'TY | NOTE |
|---------|----------------|---|------|----------------|
| 1 | HOUSING | PPS RESIN GLASS REINFORCED (UL94V-0) | 1 | COLOR : BROWN |
| 2 | SLIDER | | 1 | COLOR : BLACK |
| 3 | CONTACT | PHOSPHOR BRONZE | n | PLATING : GOLD |
| 4 | MOUNTING PLATE | | 2 | PLATING : TIN |

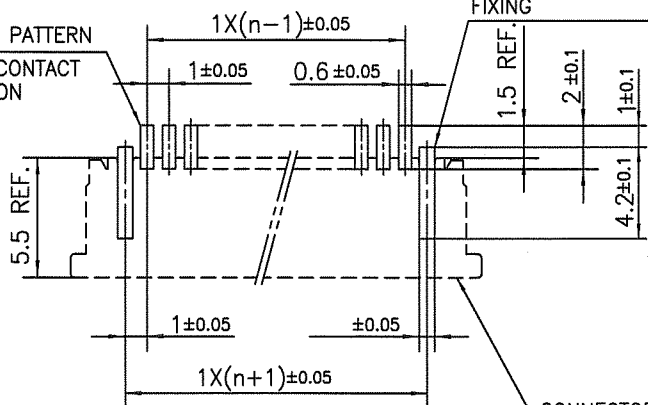
n : NO. OF CONTACTS

NOTES

1. THIS PRODUCT IS THE CONNECTOR USED FOR FPC AND COPES WITH AUTOMATIC MOUNTING (SMT).
2. FLATNESS FOR CONTACT TERMINAL HOUSING MUST BE WITHIN TOLERANCE IN Z PORTION DETAILED DRAWING.
3. THIS PRODUCT IS LOWER CONTACT TYPE CONNECTOR.
4. THIS PRODUCT MEETS EUROPEAN UNION DIRECTIVES AND OTHER COUNTRY REGULATIONS AS DESCRIBED IN GS-22-008.
5. THE HOUSING WILL WITHSTAND EXPOSURE TO 260°C PEAK TEMPERATURE FOR 10 SECONDS IN A REFLOW SOLDERING OVEN.

RECOMMENDED PC BOARD LAYOUT
(COMPONENT SIDE)

BASIC PATTERN
NO.1 CONTACT
POSITION



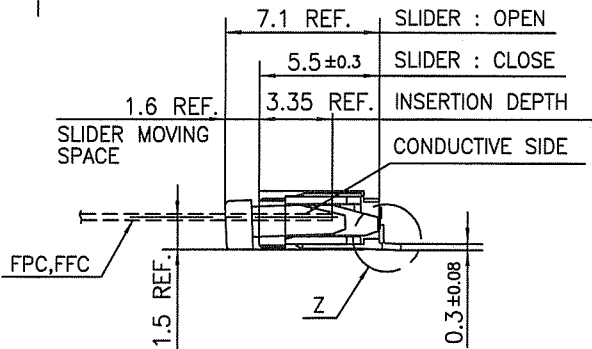
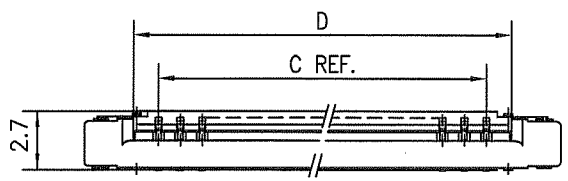
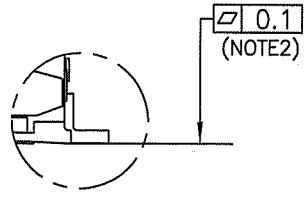
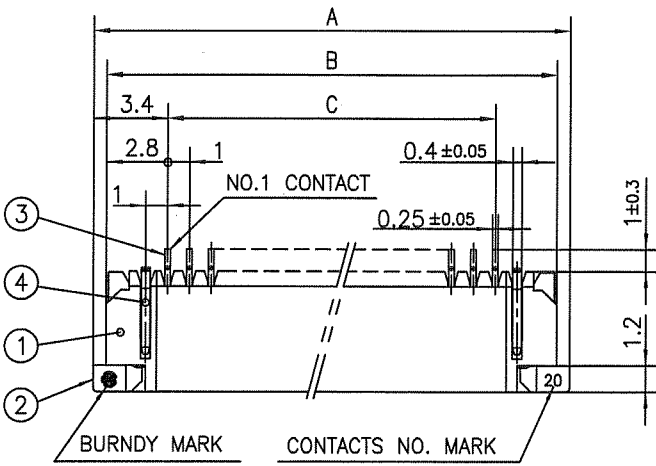
| | | | | | | | | | |
|--------------------------|--|--|--|------------|--|---|--|-------------------|--|
| mat'l. code | | surface 58 / tolerance ISO 1302 / ISO 406 / ISO 1101 | | projection | | product family 58RF | | CODE JP | |
| ltr ecn no dr date | | tolerances unless otherwise specified | | mm | | title | | | |
| A J05-0243 H.T 4/20/05 | | angles linear ±0.2 | | mm | | 1mm SPACING SMT CONNECTOR (Cat. No. SFW__R-1STG__LF) | | | |
| B J05-0736 H.T 10/28/05 | | | | scale X | | dwg no | | sheet 1 of 1 size | |
| C J06-0398 H.T 9/26/06 | | | | FCI | | JSA 96366 | | A4 | |
| D J09-0358 M.Y 2009-10-5 | | dr M.YAMASHITA 2009-10-5 | | | | type Product Customer Drawing | | | |
| | | enr M.YAMASHITA 2009-10-5 | | | | | | | |
| | | chr S. W. 2009-10-6 | | | | | | | |
| | | appd S. W. 2009-10-6 | | | | | | | |
| sheet index | | revision D | | | | | | Rev. D | |
| sheet 1 | | 1 | | | | | | D | |

SC-SFW14 JSA96365
form: A4



FCIconnect.com

Copyright FCI.



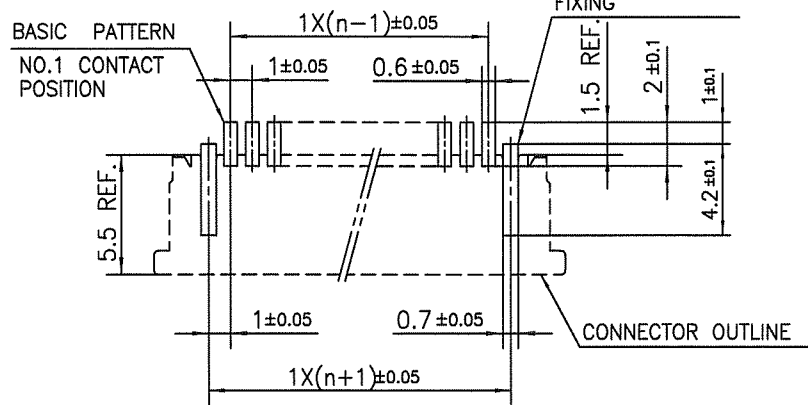
| PT. NO. | PARTS NAME | MATERIAL | Q'TY | NOTE |
|---------|----------------|--------------------------------------|------|----------------|
| 1 | HOUSING | PPS RESIN GLASS REINFORCED (UL94V-0) | 1 | COLOR : BROWN |
| 2 | SLIDER | | 1 | COLOR : BLACK |
| 3 | CONTACT | PHOSPHOR BRONZE | n | PLATING : GOLD |
| 4 | MOUNTING PLATE | | 2 | PLATING : IN |

n : NO. OF CONTACTS

NOTES

1. THIS PRODUCT IS THE CONNECTOR USED FOR FPC AND COPE WITH AUTOMATIC MOUNTING (SMT).
2. FLATNESS FOR CONTACT TERMINAL HOUSING MUST BE WITHIN TOLERANCE IN Z PORTION DETAILED DRAWING.
3. THIS PRODUCT IS UPPER CONTACT TYPE CONNECTOR.
4. THIS PRODUCT MEETS EUROPEAN UNION DIRECTIVES AND OTHER COUNTRY REGULATIONS AS DESCRIBED IN GS-22-008.
5. THE HOUSING WILL WITHSTAND EXPOSURE TO 260°C PEAK TEMPERATURE FOR 10 SECONDS IN A REFLOW SOLDERING OVEN.

RECOMMENDED PC BOARD LAYOUT (COMPONENT SIDE)



FCIconnect.com

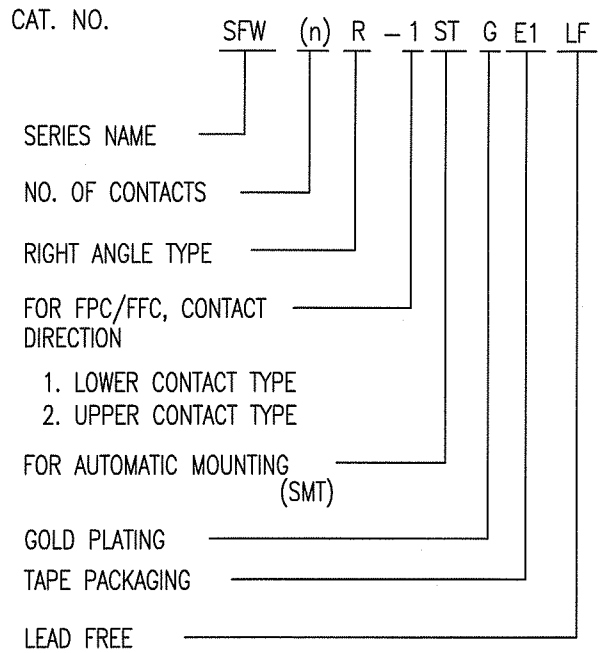
Copyright FCI.

| | | | | | | | | | | | |
|-------------|--|------------------------|--|----------------------------------|--|------------|--|---------------------|--|---|--|
| mat'l. code | | surface 58 ISO 1302 | | tolerance ISO 406 ISO 1101 | | projection | | product family 58RF | | CODE JP | |
| ltr | | ecn no | | dr | | date | | title | | 1mm SPACING SMT CONNECTOR (Cat. No. SFW__R-2STG__LF) | |
| A | | J05-0243 | | H.T | | 4/20/05 | | mm | | scale X | |
| B | | J05-0736 | | H.T | | 10/28/05 | | angles | | linear ±0.2 | |
| C | | J06-0398 | | H.T | | 9/26/06 | | linear | | scale X | |
| D | | J09-0358 | | M.Y | | 2009-10-5 | | dr | | HYAMASHITA 2009-10-5 | |
| | | | | | | | | enr | | HYAMASHITA 2009-10-5 | |
| | | | | | | | | chr | | S. W. H. 2009-10-6 | |
| | | | | | | | | appd | | P. Anderson 2009-10-6 | |
| sheet index | | revision D | | sheet 1 | | | | dwg no | | sheet 1 of 1 size A4 | |
| | | | | | | | | JSA 96367 | | | |
| | | | | | | | | type | | Product Customer Drawing | |

SC-SFW14 JSA96365 form: A4

CAT. NO. & DIMENSIONS

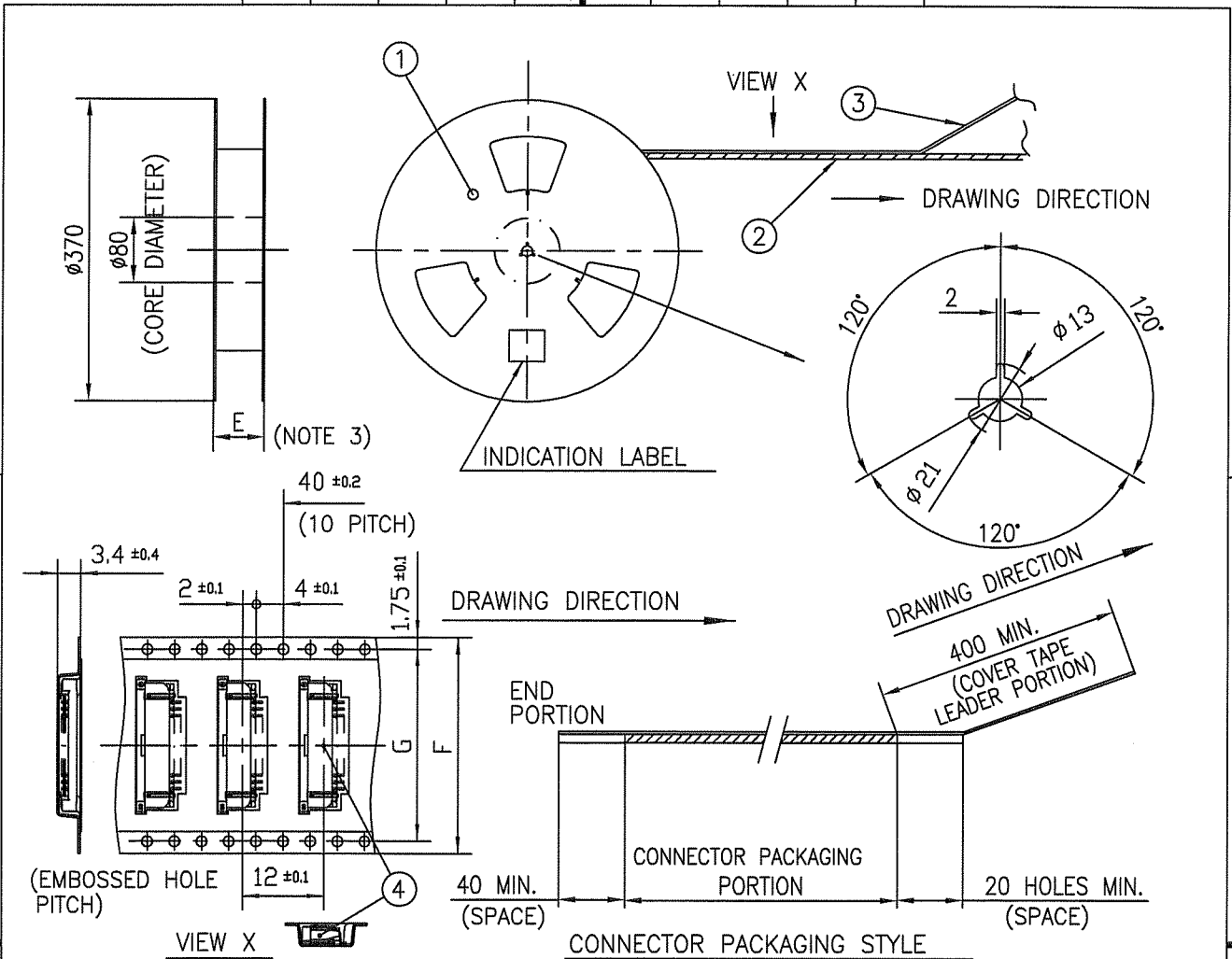
| NO. OF CONTACTS (n) | CAT. NO. (NOTE2) | DIMENSIONS (NOTE3) | | |
|---------------------|-------------------|--------------------|---------|---------|
| | | E ± 5 | F ± 0.3 | G ± 0.1 |
| 4 | SFW4R-1/2STGE1LF | 20.4 | 16 | — |
| 5 | SFW5R-1/2STGE1LF | 28.4 | 24 | — |
| 6 | SFW6R-1/2STGE1LF | 28.4 | 24 | — |
| 7 | SFW7R-1/2STGE1LF | 28.4 | 24 | — |
| 8 | SFW8R-1/2STGE1LF | 28.4 | 24 | — |
| 9 | SFW9R-1/2STGE1LF | 28.4 | 24 | — |
| 10 | SFW10R-1/2STGE1LF | 28.4 | 24 | — |
| 11 | SFW11R-1/2STGE1LF | 28.4 | 24 | — |
| 12 | SFW12R-1/2STGE1LF | 28.4 | 24 | — |
| 13 | SFW13R-1/2STGE1LF | 36.4 | 32 | 28.4 |
| 14 | SFW14R-1/2STGE1LF | 36.4 | 32 | 28.4 |
| 15 | SFW15R-1/2STGE1LF | 36.4 | 32 | 28.4 |
| 16 | SFW16R-1/2STGE1LF | 36.4 | 32 | 28.4 |
| 17 | SFW17R-1/2STGE1LF | 48.4 | 44 | 40.4 |
| 18 | SFW18R-1/2STGE1LF | 48.4 | 44 | 40.4 |
| 19 | SFW19R-1/2STGE1LF | 48.4 | 44 | 40.4 |
| 20 | SFW20R-1/2STGE1LF | 48.4 | 44 | 40.4 |
| 21 | SFW21R-1/2STGE1LF | 48.4 | 44 | 40.4 |
| 22 | SFW22R-1/2STGE1LF | 48.4 | 44 | 40.4 |
| 23 | SFW23R-1/2STGE1LF | 48.4 | 44 | 40.4 |
| 24 | SFW24R-1/2STGE1LF | 48.4 | 44 | 40.4 |
| 25 | SFW25R-1/2STGE1LF | 48.4 | 44 | 40.4 |
| 26 | SFW26R-1/2STGE1LF | 48.4 | 44 | 40.4 |
| 27 | SFW27R-1/2STGE1LF | 48.4 | 44 | 40.4 |
| 28 | SFW28R-1/2STGE1LF | 60.4 | 56 | 52.4 |
| 29 | SFW29R-1/2STGE1LF | 60.4 | 56 | 52.4 |
| 30 | SFW30R-1/2STGE1LF | 60.4 | 56 | 52.4 |



NOTES

1. THIS PRODUCT IS THE CONNECTOR USED FOR FPC AND CYPES WITH AUTOMATIC MOUNTING (SMT).
2. THIS CATALOG NO. INDICATES PLASTIC TAPE PACKAGED CONNECTOR.
3. SEE PART DRAWINGS FOR DIMENSIONS E~G.

| | | | | | | | | | | | |
|-------------|----------|-----------------------|-----------|---------------------------------------|--|------------|--|--|--|---------|--|
| mat'l. code | | surface 58 / ISO 1302 | | tolerance ISO 406 / ISO 1101 | | projection | | product family 58RF | | CODE JP | |
| ltr | ecn no | dr | date | tolerances unless otherwise specified | | mm | | title | | | |
| A | J05-0243 | H.T | 4/20/05 | angles linear | | mm | | CAT NO. TABLE FOR PLASTIC TAPE PACKAGED 1mm SPACING SMT CONNECTOR (Cat. No. SFW__R-1/2STGE1LF) | | | |
| B | J06-0398 | H.T | 9/26/06 | | | scale X | | dwg no sheet 1 of 1 size | | | |
| C | J09-0358 | M.Y | 2009-10-5 | | | FCI | | JSA 96368 A4 | | | |
| sheet index | | revision C | | dr MYAMASITA 2009-10-5 | | | | type Product Customer Drawing | | | |
| | | sheet 1 | | engr MYAMASITA 2009-10-5 | | | | Rev. C | | | |
| | | | | chr B. Mithu 2009-10-6 | | | | | | | |
| | | | | appd S. Chelam 2009-10-6 | | | | | | | |



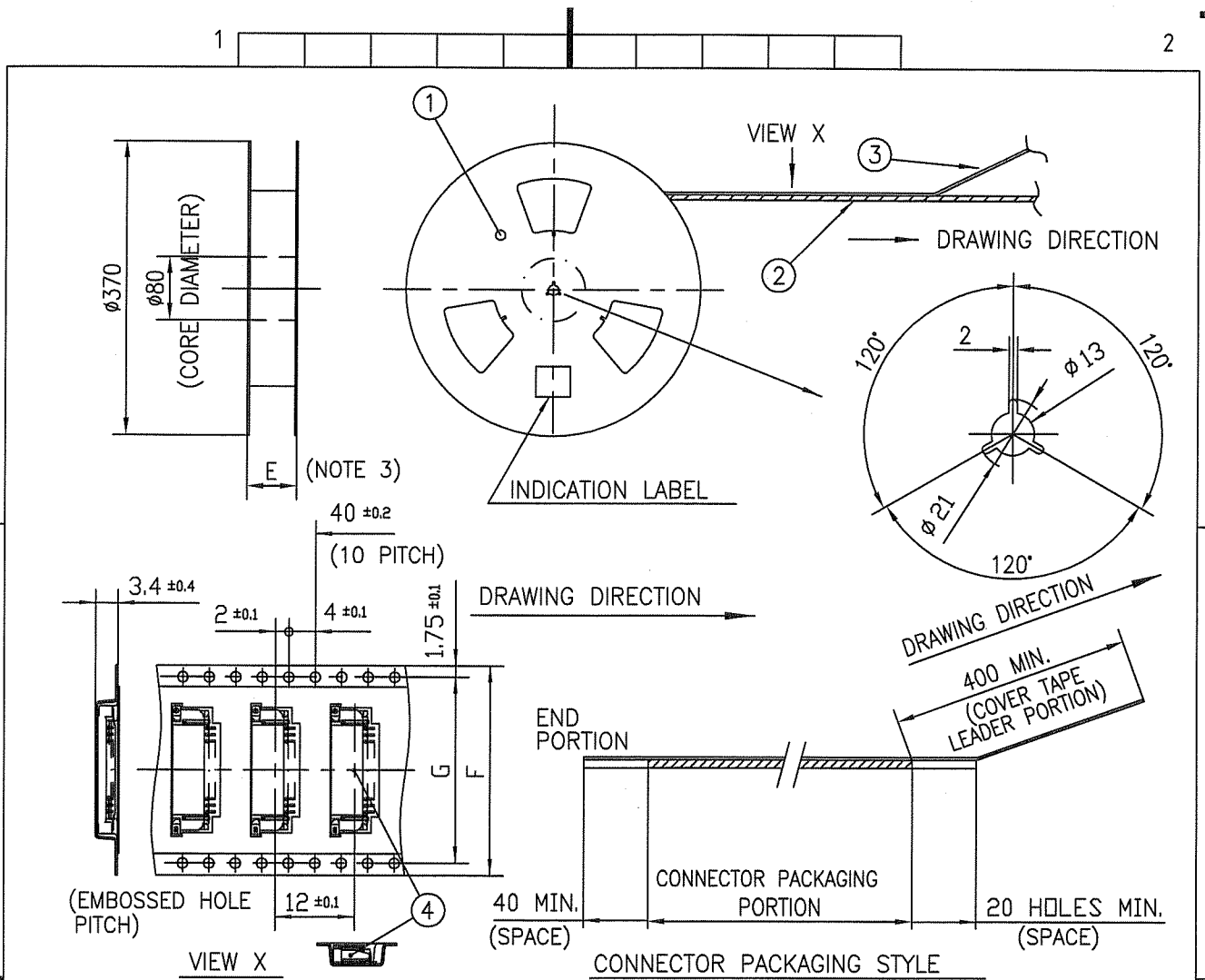
| PT. NO. | PARTS NAME | CAT. NO. | MATERIAL | Q'TY | NOTE |
|---------|-----------------------|---------------|-------------------|------|--------------------|
| 1 | REEL | — | CARDBOARD | 1 | COLOR:WHITE |
| 2 | PLASTIC (EMBOSS) TAPE | — | PET | — | COLOR:TRANSPARENCY |
| 3 | COVER | — | POLYESTER | — | COLOR:TRANSPARENCY |
| 4 | CONNECTOR | SFW_R-1STG_LF | SEE ATTACHED DWG. | 2000 | LOWER CONTACT TYPE |

NOTES

1. THIS IS PLASTIC TAPE PACKAGED CONNECTOR USED FOR FPC AND COPES WITH AUTOMATIC MOUNTING (SMT).
2. SEE JIS C 0806 (PACKING OF ELECTRONIC COMPONENTS ON CONTINUOUS TAPES (SURFACE MOUNTING DEVICES)) FOR SHAPE AND DIMENSIONS OF PLASTIC (EMBOSS) TAPE AND REEL.
3. E DIMENSION IS PORTION OF THE CORE.

| | | | | | | | | | | | |
|-------------|--|--|--|---|--|----------------------|--|---------------------------------------|--|--|--|
| mat'l. code | | surface ISO 1302 <input checked="" type="checkbox"/> | | tolerance ISO 406 <input checked="" type="checkbox"/> | | projection | | product family 58RF | | CODE JP | |
| ltr | | ecn no | | dr | | date | | tolerances unless otherwise specified | | title | |
| A | | J05-0243 | | H.T | | 4/20/05 | | angles $\pm 5^\circ$ | | PLASTIC TAPE PACKAGED 1mm SPACING SMT CONNECTOR (Cat. No. SFW__R-1STGE1LF) | |
| B | | J06-0398 | | H.T | | 9/26/06 | | linear | | mm | |
| C | | J09-0358 | | M.Y | | 2009-10-5 | | $\pm 5^\circ$ | | scale \times | |
| | | | | dr | | H.YAMAMOTO 2009-10-5 | | FCJ | | dwg no sheet 1 of 1 size | |
| | | | | enr | | H.YAMAMOTO 2009-10-5 | | | | JSA 96369 A4 | |
| | | | | chr | | D. With 2009-10-6 | | | | | |
| | | | | appd | | S. Oudam 2009-10-6 | | | | | |
| sheet index | | revision C | | sheet 1 | | | | | | type Product Customer Drawing | |
| | | | | | | | | | | Rev. C | |

SC-SFW14 JSA96368 form: A4



| PT. NO. | PARTS NAME | CAT. NO. | MATERIAL | Q'TY | NOTE |
|---------|-----------------------|-----------------|-------------------|------|--------------------|
| 1 | REEL | — | CARDBOARD | 1 | COLOR:WHITE |
| 2 | PLASTIC (EMBOSS) TAPE | — | PET | — | COLOR:TRANSPARENCY |
| 3 | COVER | — | POLYESTER | — | COLOR:TRANSPARENCY |
| 4 | CONNECTOR | SFW__R-2STG__LF | SEE ATTACHED DWG. | 2000 | UPPER CONTACT TYPE |

NOTES

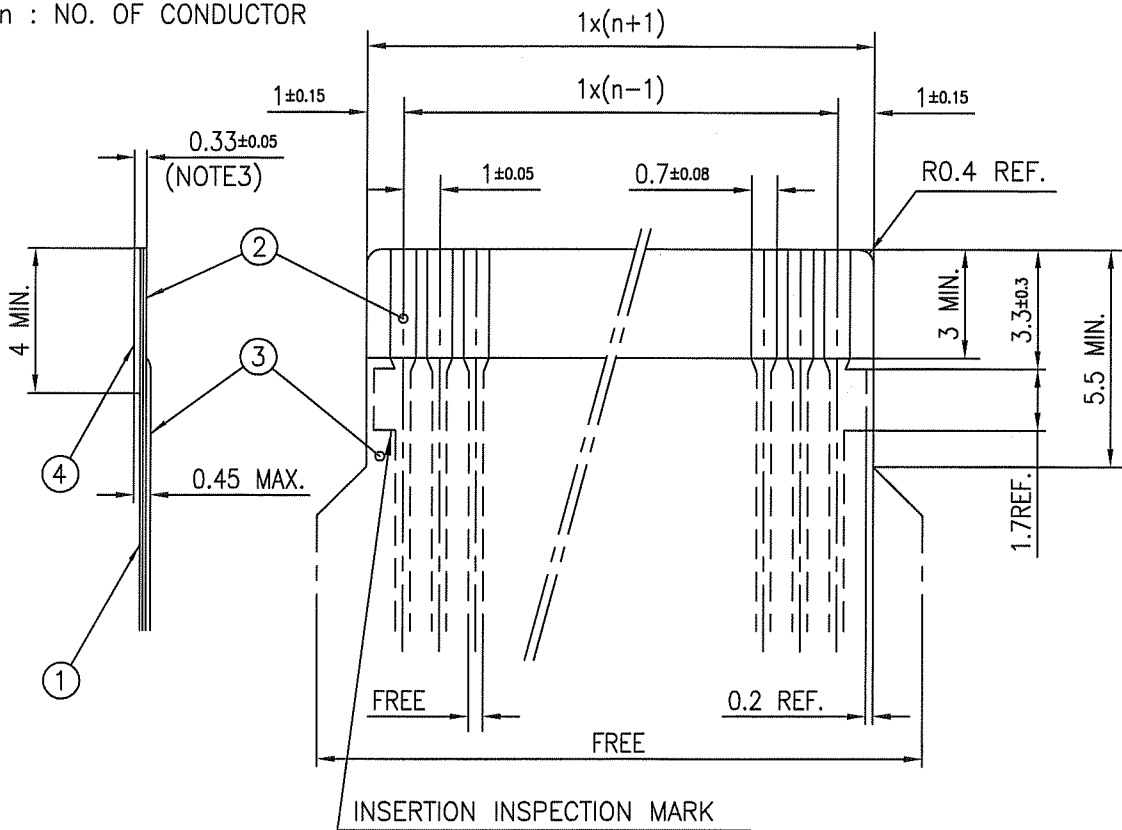
1. THIS IS PLASTIC TAPE PACKAGED CONNECTOR USED FOR FPC AND COPEES WITH AUTOMATIC MOUNTING (SMT).
2. SEE JIS C 0806 (PACKING OF ELECTRONIC COMPONENTS ON CONTINUOUS TAPES (SURFACE MOUNTING DEVICES)) FOR SHAPE AND DIMENSIONS OF PLASTIC (EMBOSS) TAPE AND REEL.
3. E DIMENSION IS PORTION OF THE CORE.

| | | | | | | |
|-------------|------------|------------------|----------------------------|---------------------------------------|--|-------------------------------|
| mat'l. code | | surface ISO 1302 | tolerance ISO 406 ISO 1101 | projection | product family 58RF | CODE JP |
| ltr | ecn no | dr | date | tolerances unless otherwise specified | title | |
| A | J05-0243 | H.T | 4/20/05 | angles ±5 | PLASTIC TAPE PACKAGED 1mm SPACING SMT CONNECTOR (Cat. No. SFW__R-2STGE1LF) | |
| B | J06-0398 | H.T | 9/26/06 | linear | mm | |
| C | J09-0358 | M.Y | 2009-10-5 | ±5° | scale X | |
| | | dr | M.YAMASHITA 2009-10-5 | FCI | | dwg no sheet 1 of 1 size |
| | | enr | M.YAMASHITA 2009-10-5 | | | JSA 96370 A4 |
| | | chr | S. W. K. 2009-10-6 | | | type Product Customer Drawing |
| | | appd | S. Chudam 2009-10-6 | | | |
| sheet index | revision C | sheet | 1 | | | Rev. C |

SC-SFW14 JSA96368 form: A4

RECOMMENDED CABLE (FPC)

n : NO. OF CONDUCTOR



| PT. NO. | PARTS NAME | MATERIAL | THICKNESS (um) |
|---------|-----------------|--|----------------|
| 1 | BASE FILM | POLYIMIDE OR POLYESTER OR EQUAL | 25 |
| 2 | CONDUCTOR | COPPER FOIL (PLATING : Ni UNDER PLATING GOLD0.5um MIN.) | 35 |
| 3 | OVERLAY | POLYIMIDE OR POLYESTER OR EQUAL | — |
| 4 | SUPPORTING TAPE | POLYESTER OR POLYIMIDE OR EQUAL | 188 |

NOTES

1. NO BURR AT EACH PORTION.
2. NO PEELING IN COMMON USE.
3. TOTAL THICKNESS LIMIT OF EACH MATERIAL (INCLUDING ADHESIVE AGENT) IS SPECIFIED.

| | | | | | | | | | | |
|-------------|----------------|--|-------------|---------------------------------------|--|---------------------|--|-------------------------------|--|--------|
| mat'l. code | | surface 58 / tolerance ISO 1302 / ISO 406 / ISO 1101 | | projection | | product family 58RF | | CODE JP | | |
| ltr | ecn no | dr | date | tolerances unless otherwise specified | | title | | RECOMMENDED CABLE | | |
| A | J05-0243 | H.T | 4/22/05 | angles linear | | mm | | (Cat. No. SFW__R-1/2STG_) | | |
| B | J06-0398 | H.T | 9/26/06 | | | scale X | | dwg no | | |
| C | J09-0358 | M.Y | 2009-10-5 | | | FCJ | | sheet 1 of 1 size | | |
| | | dr | M.YAMAMOTO | 2009-10-5 | | | | JSA 96371 A4 | | |
| | | enr | M.YAMAMOTO | 2009-10-5 | | | | type Product Customer Drawing | | |
| | | chr | S. Watanabe | 2009-10-6 | | | | | | |
| | | appd | S. Ueda | 2009-10-6 | | | | | | |
| sheet index | revision sheet | C | 1 | | | | | | | Rev. C |



Компания «ЭлектроПласт» предлагает заключение долгосрочных отношений при поставках импортных электронных компонентов на взаимовыгодных условиях!

Наши преимущества:

- Оперативные поставки широкого спектра электронных компонентов отечественного и импортного производства напрямую от производителей и с крупнейших мировых складов;
- Поставка более 17-ти миллионов наименований электронных компонентов;
- Поставка сложных, дефицитных, либо снятых с производства позиций;
- Оперативные сроки поставки под заказ (от 5 рабочих дней);
- Экспресс доставка в любую точку России;
- Техническая поддержка проекта, помощь в подборе аналогов, поставка прототипов;
- Система менеджмента качества сертифицирована по Международному стандарту ISO 9001;
- Лицензия ФСБ на осуществление работ с использованием сведений, составляющих государственную тайну;
- Поставка специализированных компонентов (Xilinx, Altera, Analog Devices, Intersil, Interpoint, Microsemi, Aeroflex, Peregrine, Syfer, Eurofarad, Texas Instrument, Miteq, Cobham, E2V, MA-COM, Hittite, Mini-Circuits, General Dynamics и др.);

Помимо этого, одним из направлений компании «ЭлектроПласт» является направление «Источники питания». Мы предлагаем Вам помощь Конструкторского отдела:

- Подбор оптимального решения, техническое обоснование при выборе компонента;
- Подбор аналогов;
- Консультации по применению компонента;
- Поставка образцов и прототипов;
- Техническая поддержка проекта;
- Защита от снятия компонента с производства.



Как с нами связаться

Телефон: 8 (812) 309 58 32 (многоканальный)

Факс: 8 (812) 320-02-42

Электронная почта: org@eplast1.ru

Адрес: 198099, г. Санкт-Петербург, ул. Калинина, дом 2, корпус 4, литера А.