

**PLEASE CHECK WWW.MOLEX.COM FOR LATEST PART INFORMATION**

**Part Number:** [0039533107](#)  
**Status:** **Active**  
**Description:** 2.54mm (.100") Pitch QF-50™, Right Angle, Dual Row with Eject Levers, Shrouded Header, 10 Circuits

**Documents:**

[3D Model](#) [Product Specification PS-5330-003 \(PDF\)](#)  
[Drawing \(PDF\)](#) [RoHS Certificate of Compliance \(PDF\)](#)

**Agency Certification**

UL E29179

**General**

Product Family Ribbon Cable / Wire Trap Connectors  
 Series [5340](#)  
 Comments Lever Spring Pins  
 Component Type PCB Header  
 Glow-Wire Compliant No  
 Product Name QF-50™

**Physical**

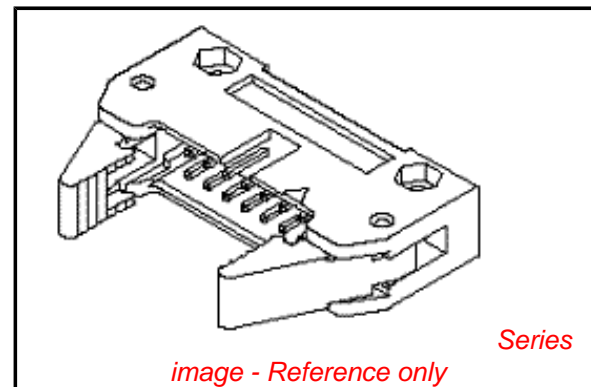
Circuits (Loaded) 10  
 Color - Resin Black  
 Entry Angle 90° Angle  
 Flammability 94V-0  
 Lock to Mating Part Yes  
 Material - Metal Brass  
 Material - Plating Mating Gold  
 Material - Plating Termination Tin  
 Number of Rows 2  
 PCB Locator Yes  
 PCB Retention None  
 PCB Thickness Recommended (in) 0.062 In  
 PCB Thickness Recommended (mm) 1.60 mm  
 Packaging Type Tray  
 Pitch - Mating Interface (in) 0.100 In  
 Pitch - Mating Interface (mm) 2.54 mm  
 Plating min: Mating (µin) 0.004  
 Plating min: Mating (µm) 0.10  
 Plating min: Termination (µin) 0.040  
 Plating min: Termination (µm) 1.00  
 Polarized to Mating Part No  
 Polarized to PCB No  
 Shrouded Yes  
 Stackable No  
 Surface Mount Compatible (SMC) No  
 Temperature Range - Operating -40°C to +105°C  
 Wire Insulation Diameter N/A  
 Wire Size AWG N/A  
 Wire/Cable Type Ribbon Cable

**Electrical**

Current - Maximum per Contact 1A  
 Voltage - Maximum 250V

**Material Info**

Old Part Number 5340-10BGS17F



**EU RoHS**

**ELV and RoHS  
 Compliant**  
**REACH SVHC  
 Not Reviewed**  
**Halogen-Free  
 Status  
 Not Reviewed**

**China RoHS**



**Need more information on product  
 environmental compliance?**

Email [productcompliance@molex.com](mailto:productcompliance@molex.com)  
 For a multiple part number RoHS Certificate of Compliance, [click here](#)

Please visit the [Contact Us](#) section for any non-product compliance questions.

**Search Parts in this Series**

[5340Series](#)

**Mates With**

[5320](#)

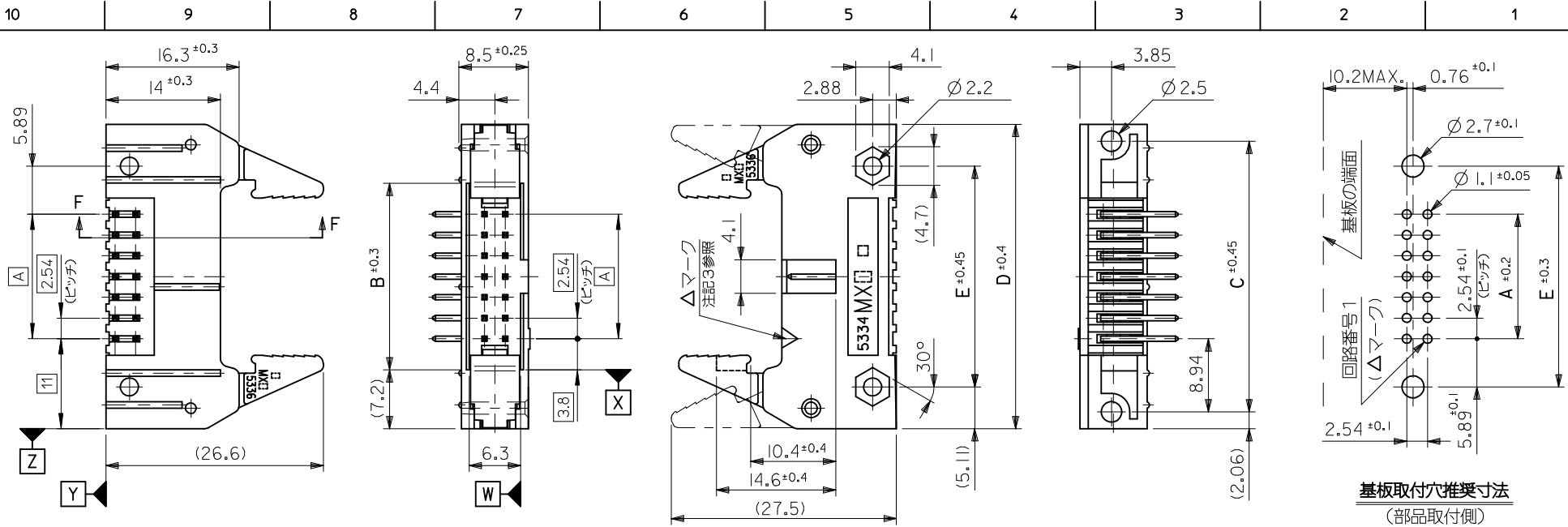
**Reference - Drawing Numbers**

Product Specification  
Sales Drawing

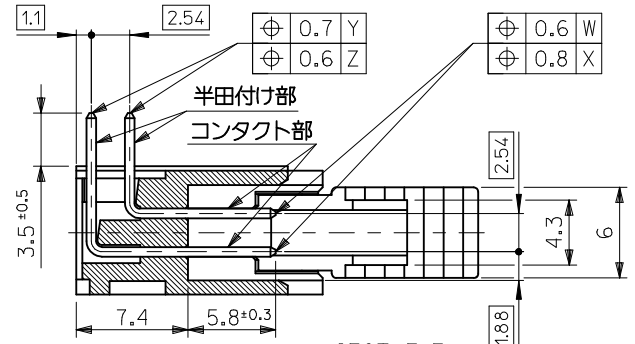
PS-5330-003, RPS-5330-001  
SD-5340-001, SD-5340-002, SD-5342-002

This document was generated on 04/13/2010

**PLEASE CHECK [WWW.MOLEX.COM](http://WWW.MOLEX.COM) FOR LATEST PART INFORMATION**



基板取付穴推奨寸法  
(部品取付側)



SECT. F-F  
(SCALE 3:1)

- 注記 1. 材料 ヘッダー&エジェクトレバー : ガラス繊維 15% 入り PBTP (UL94V-0), 黒色  
 ピン : 黄銅, サイズ □0.635  
 スプリングピン : 鋼製  
 2. 嵌合相手 : 5320 シリーズ  
 3. 使用符号の説明  
 ベースナンバー 5340 - N B \*  
 極数  
 エジェクトレバー付  
 ピンのメッキコード

コード:*	△マークの色	コンタクト部	半田付け部	下地メッキ
GS1	黄	金 0.1 μm MIN.	半田 3 μm MIN.	ニッケル 1 μm MIN.
GS2	茶	金 0.76 μm MIN.		
LEAD FREE GS17F	黄	金 0.1 μm MIN.	錫 1 μm MIN.	
LEAD FREE GS27F	茶	金 0.76 μm MIN.		
LEAD FREE T2	黒	錫 1 μm MIN.		ニッケル 0.5 μm MIN.


60	73.66	81.26	91.54	95.66	85.44
50	60.96	68.56	78.84	82.96	72.74
40	48.26	55.86	66.14	70.26	60.04
34	40.64	48.24	58.52	62.64	52.42
30	35.56	43.16	53.44	57.56	47.34
26	30.48	38.08	48.36	52.48	42.26
20	22.86	30.46	40.74	44.86	34.64
16	17.78	25.38	35.66	39.78	29.56
14	15.24	22.84	33.12	37.24	27.02
10	10.16	17.76	28.04	32.16	21.94
極数	A 寸法	B 寸法	C 寸法	D 寸法	E 寸法

fb\_frame\_A3\_J\_ME\_S  
Rev. E 2006/04/15

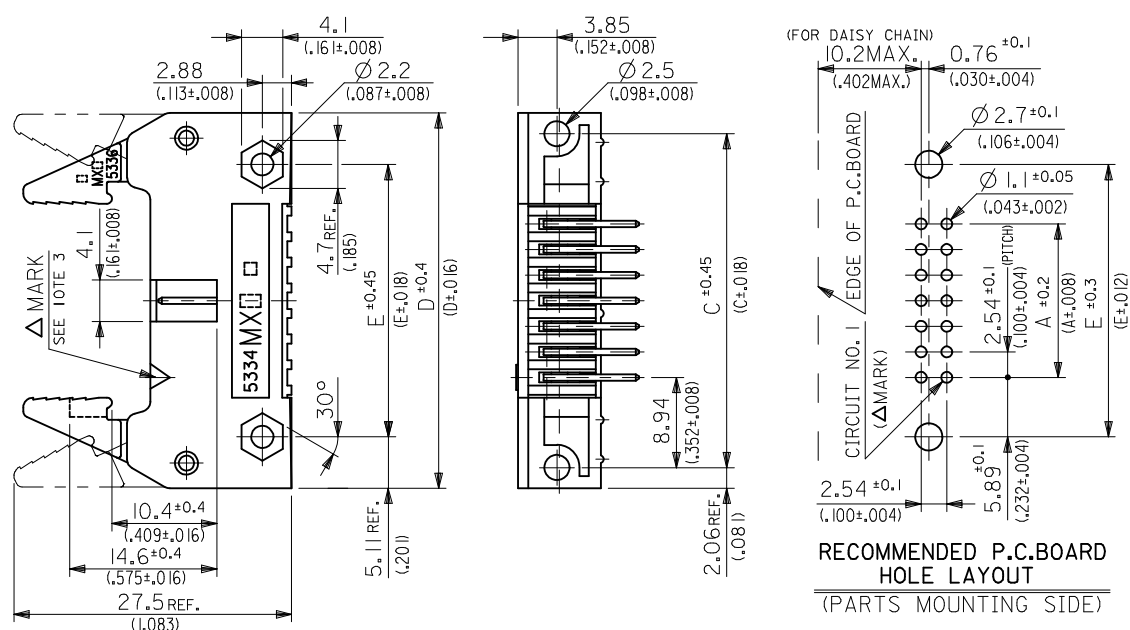
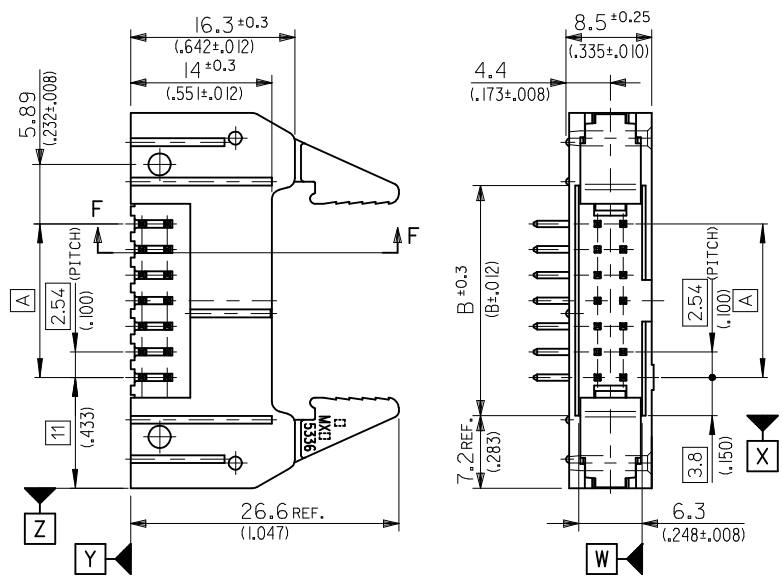
REVISED EC NO: J2009-2013 DRWN: MWABEI 2009/03/12 CHKD: THARUYAMA 2009/03/13 APPR: NUK ITA 2009/03/16	GENERAL TOLERANCES (UNLESS SPECIFIED)		DIMENSION STYLE MM ONLY	SCALE 2:1	DESIGN UNITS METRIC	THIRD ANGLE PROJECTION
	10 UNDER	± 0.2	DRAWN BY HHIRAMOTO	DATE 1990/06/19	TITLE QIK FLECS HEADER ASSY R/A WITH EJECT LEVER (JAPANESE ONLY)	
	10 OVER 30 UNDER	± 0.25	CHECKED BY MSASAO	DATE	MOLEX INCORPORATED	
	30 OVER	± 0.3	APPROVED BY HIKESUGI	DATE		
	ANGULAR ± 3 °	DRAFT WHERE APPLICABLE MUST REMAIN WITHIN DIMENSIONS	MATERIAL NO. SEE SHEET 2	DOCUMENT NO. SD-5340-001	SHEET NO. 1 OF 2	
			SIZE A3	THIS DRAWING CONTAINS INFORMATION THAT IS PROPRIETARY TO MOLEX INCORPORATED AND SHOULD NOT BE USED WITHOUT WRITTEN PERMISSION		

39-53-7608	5340-60BGS27F	39-53-3607	5340-60BGS17F	60
▲ -7508	▲ -50BGS27F	▲ -3507	▲ -50BGS17F	50
-7408	-40BGS27F	-3407	-40BGS17F	40
-7348	-34BGS27F	-3347	-34BGS17F	34
-7308	-30BGS27F	-3307	-30BGS17F	30
-7268	-26BGS27F	-3267	-26BGS17F	26
-7208	-20BGS27F	-3207	-20BGS17F	20
-7168	-16BGS27F	-3167	-16BGS17F	16
▼ -7148	▼ -14BGS27F	▼ -3147	▼ -14BGS17F	14
39-53-7108	5340-10BGS27F	39-53-3107	5340-10BGS17F	10
EDP NO.	ENG. NO.	EDP NO.	ENG. NO.	NO. OF
5340-NBGS27F-LEAD FREE-		5340-NBGS17F-LEAD FREE-		CKT.S.

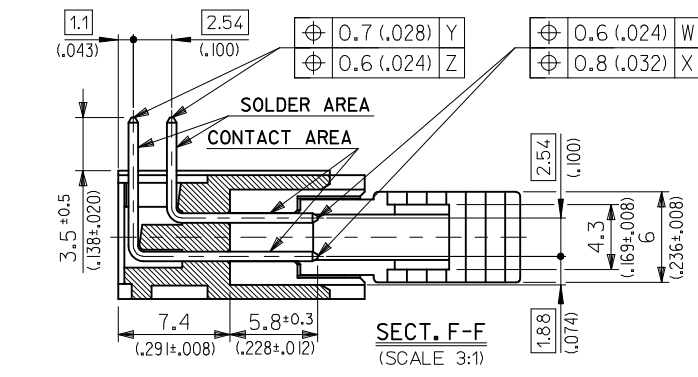
—	—	39-26-7603	5340-60BGS2	—	—	60
39-28-5503	5340-50BT2	▲ -7503	▲ -50BGS2	39-26-7502	5340-50BGS1	50
▲ -5403	▲ -40BT2	-7403	-40BGS2	—	—	40
-5343	-34BT2	-7343	-34BGS2	—	—	34
-5303	-30BT2	-7303	-30BGS2	—	—	30
-5263	-26BT2	-7263	-26BGS2	—	—	26
-5203	-20BT2	-7203	-20BGS2	—	—	20
-5163	-16BT2	-7163	-16BGS2	—	—	16
▼ -5143	▼ -14BT2	▼ -7143	▼ -14BGS2	—	—	14
39-28-5103	5340-10BT2	39-26-7103	5340-10BGS2	—	—	10
EDP NO.	ENG. NO.	EDP NO.	ENG. NO.	EDP NO.	ENG. NO.	NO. OF
5340-NBT2 -LEAD FREE-		5340-NBGS2		5340-NBGS1		CKT.S.

REVISED EC NO: J2009-2013 DRWN: MABEL 2009/03/12 CHKD: THARUYAMA 2009/03/13 APPR: NUKITA 2009/03/16	GENERAL TOLERANCES (UNLESS SPECIFIED)		DIMENSION STYLE <b>MM ONLY</b>		SCALE <b>2:1</b>	DESIGN UNITS <b>METRIC</b>		THIRD ANGLE PROJECTION	
	10 UNDER	± 0.2	DRAWN BY HIRAMOTO		DATE 1990/06/19		QIK FLECS HEADER ASSY R/A WITH EJECT LEVER (JAPANESE ONLY)		
	10 OVER 30 UNDER	± 0.25	CHECKED BY MSASAO		DATE				
	30 OVER	± 0.3	APPROVED BY HIKESUGI		DATE		 MOLEX INCORPORATED		
	ANGULAR	± 3 °	MATERIAL NO.		DOCUMENT NO.				
DRAFT WHERE APPLICABLE MUST REMAIN WITHIN DIMENSIONS		SIZE <b>A3</b>		SEE TABLE			SD-5340-001		2 OF 2

10 9 8 7 6 5 4 3 2 1



RECOMMENDED P.C. BOARD HOLE LAYOUT (PARTS MOUNTING SIDE)



NOTES 1. MATERIAL HEADER & EJECT LEVER : G.F. 15% PBTP (UL94V-0), COLOR---BLACK  
 PINS : BRASS, SIZE--- □0.635(0.25 SQ.)  
 SPRING PIN : STEEL  
 2. MATES WITH MOLEX CONNECTOR SERIES OF 5320.  
 3. LEGEND

BASE NUMBER 5340 - N B \*  
 CIRCUIT SIZE WITH EJECT LEVER  
 PLATING CODE OF PIN

CODE:*	Δ MARK COLOR	CONTACT AREA	SOLDER AREA	UNDER PLATE
GS1	YELLOW	GOLD 0.1μm(0.00004) MIN.	TIN-LEAD 3μm(0.00012) MIN.	NICKEL 1μm(0.00004) MIN.
GS2	BROWN	GOLD 0.76μm(0.00003) MIN.	TIN 1μm(0.00004) MIN.	
LEAD FREE GS17F	YELLOW	GOLD 0.1 μm(0.00004) MIN.	TIN 1μm(0.00004) MIN.	NICKEL 0.5μm(0.00002) MIN.
LEAD FREE GS27F	BROWN	GOLD 0.76μm(0.00003) MIN.	TIN 1μm(0.00004) MIN.	NICKEL 0.5μm(0.00002) MIN.
LEAD FREE I2	BLACK	TIN 1 μm(0.00004) MIN.		

60	73.66 (2.900)	81.26 (3.200)	91.54 (3.604)	95.66 (3.766)	85.44 (3.364)
50	60.96 (2.400)	68.56 (2.700)	78.84 (3.104)	82.96 (3.266)	72.74 (2.864)
40	48.26 (1.900)	55.86 (2.200)	66.14 (2.604)	70.26 (2.766)	60.04 (2.364)
34	40.64 (1.600)	48.24 (1.900)	58.52 (2.304)	62.64 (2.466)	52.42 (2.064)
30	35.56 (1.400)	43.16 (1.700)	53.44 (2.104)	57.56 (2.266)	47.34 (1.864)
26	30.48 (1.200)	38.08 (1.500)	48.36 (1.904)	52.48 (2.066)	42.26 (1.664)
20	22.86 (0.900)	30.46 (1.200)	40.74 (1.604)	44.86 (1.766)	34.64 (1.364)
16	17.78 (0.700)	25.38 (1.000)	35.66 (1.404)	39.78 (1.566)	29.56 (1.164)
14	15.24 (0.600)	22.84 (0.900)	33.12 (1.304)	37.24 (1.466)	27.02 (1.064)
10	10.16 (0.400)	17.76 (0.700)	28.04 (1.104)	32.16 (1.266)	21.94 (0.864)
NO. OF CKTS.	DIM. A	DIM. B	DIM. C	DIM. D	DIM. E

fb\_frame\_A3\_J\_ME\_S Rev. E 2006/04/15

REVISED	EC NO: J2009-2013	DRWN:MMABEI 2009/03/12	CHKD:THARUYAMA 2009/03/13	APPR:NIKI ITA 2009/03/16	GENERAL TOLERANCES (UNLESS SPECIFIED)		DIMENSION STYLE		SCALE	DESIGN UNITS	THIRD ANGLE PROJECTION	
					10 UNDER ±0.2	10 OVER 30 UNDER ±0.25	MM/IN	2:1	METRIC	⊙ □		
M					30 OVER ±0.3	ANGULAR ±3 °	DRAFT WHERE APPLICABLE MUST REMAIN WITHIN DIMENSIONS	SIZE A3	THIS DRAWING CONTAINS INFORMATION THAT IS PROPRIETARY TO MOLEX INCORPORATED AND SHOULD NOT BE USED WITHOUT WRITTEN PERMISSION	SEE SHEET 2	SD-5340-002	SHEET NO. 1 OF 2

QIK FLECS HEADER ASSY R/A WITH EJECT LEVER (ENGLISH ONLY)

MOLEX INCORPORATED

EN-02JA(021)

F

F

E

E

D

D

C

C

B

B

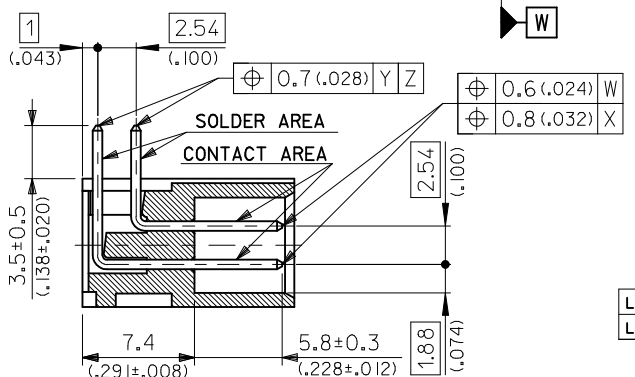
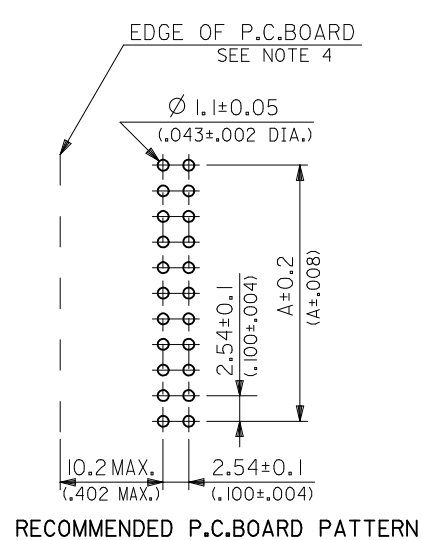
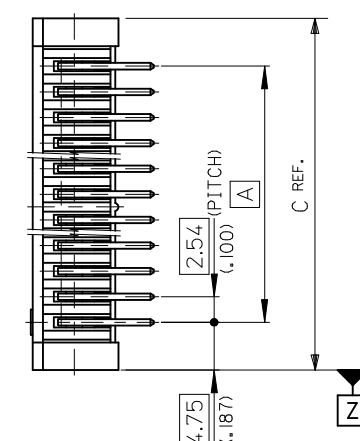
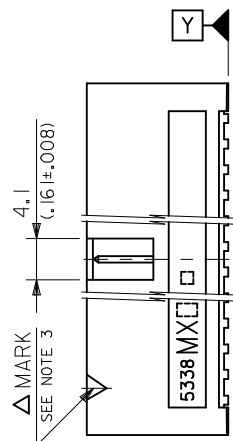
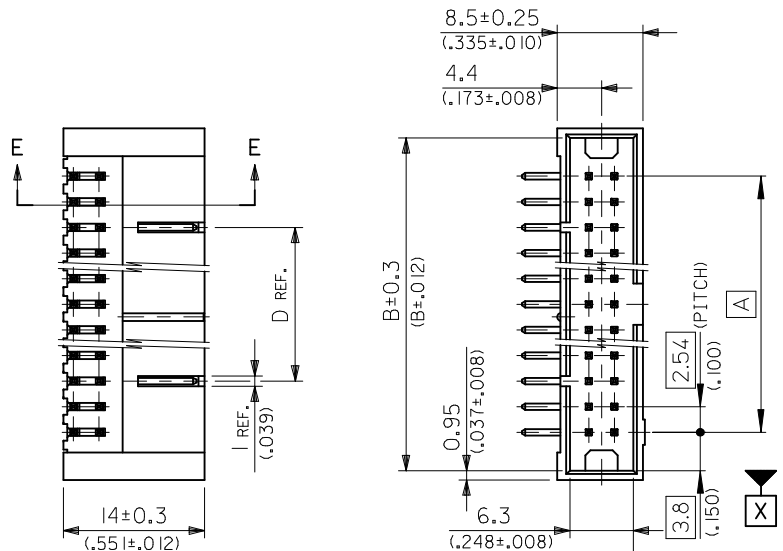
A

A

39-53-7608	5340-60BGS27F	39-53-3607	5340-60BGS17F	60
▲ -7508	▲ -50BGS27F	▲ -3507	▲ -50BGS17F	50
-7408	-40BGS27F	-3407	-40BGS17F	40
-7348	-34BGS27F	-3347	-34BGS17F	34
-7308	-30BGS27F	-3307	-30BGS17F	30
-7268	-26BGS27F	-3267	-26BGS17F	26
-7208	-20BGS27F	-3207	-20BGS17F	20
-7168	-16BGS27F	-3167	-16BGS17F	16
▼ -7148	▼ -14BGS27F	▼ -3147	▼ -14BGS17F	14
39-53-7108	5340-10BGS27F	39-53-3107	5340-10BGS17F	10
EDP NO.	ENG. NO.	EDP NO.	ENG. NO.	NO. OF
5340-NBGS27F-LEAD FREE-		5340-NBGS17F-LEAD FREE-		CKT.S.

—	—	39-26-7603	5340-60BGS2	—	—	60
39-28-5503	5340-50BT2	▲ -7503	▲ -50BGS2	39-26-7502	5340-50BGS1	50
▲ -5403	▲ -40BT2	-7403	-40BGS2	—	—	40
-5343	-34BT2	-7343	-34BGS2	—	—	34
-5303	-30BT2	-7303	-30BGS2	—	—	30
-5263	-26BT2	-7263	-26BGS2	—	—	26
-5203	-20BT2	-7203	-20BGS2	—	—	20
-5163	-16BT2	-7163	-16BGS2	—	—	16
▼ -5143	▼ -14BT2	▼ -7143	▼ -14BGS2	—	—	14
39-28-5103	5340-10BT2	39-26-7103	5340-10BGS2	—	—	10
EDP NO.	ENG. NO.	EDP NO.	ENG. NO.	EDP NO.	ENG. NO.	NO. OF
5340-NBT2 -LEAD FREE-		5340-NBGS2		5340-NBGS1		CKT.S.

REVISED EC NO: J2009-2013 DRWN:MMABEI 2009/03/12 CHKD:THARUYAMA 2009/03/13 APPR:NUKITA 2009/03/16 M	DESCRIPTION GENERAL TOLERANCES (UNLESS SPECIFIED)	10 UNDER ±0.2	DIMENSION STYLE MM/IN	SCALE ---	DESIGN UNITS METRIC	THIRD ANGLE PROJECTION	
		10 OVER 30 UNDER ±0.25	DRAWN BY HHIRAMOTO	DATE 1989/11/13	TITLE QIK FLECS HEADER ASSY R/A WITH EJECT LEVER (ENGLISH ONLY)		
		30 OVER ±0.3	CHECKED BY MSASAO	DATE	MOLEX INCORPORATED		
		ANGULAR ±3 °	APPROVED BY HIKESUGI	DATE	DOCUMENT NO. SD-5340-002		
		DRAFT WHERE APPLICABLE MUST REMAIN WITHIN DIMENSIONS	MATERIAL NO. SEE TABLE	SIZE A3	SHEET NO. 2 OF 2		



**NOTES**

- MATERIAL WAFER : G.F. 15% PBT (UL94V-0), COLOR---BLACK  
PINS : BRASS, SIZE--- □0.635(.025 SQ.)
- MATES WITH MOLEX CONNECTOR SERIES OF 5320.
- LEGEND  
5342 - N \*  
BASE NUMBER \_\_\_\_\_  
CIRCUIT SIZE \_\_\_\_\_  
PLATING CODE OF PIN \_\_\_\_\_

	CODE:*	△ MARK COLOR	CONTACT AREA	SOLDER AREA	UNDER PLATE
LEAD-FREE	GS17F	YELLOW	GOLD 0.1 μm(.000004) MIN.	TIN 1 μm(.00004) MIN.	NICKEL 1 μm(.00004) MIN.
LEAD-FREE	T2	BLACK	TIN 1 μm(.00004) MIN.		NICKEL 0.5 μm(.00002) MIN.

4. 10.2(.402) MAX. TO EDGE OF P.C. BOARD FOR DAISY CHAIN APPLICATION.

**SECT. E-E (SCALE 3:1)**

60	73.66 (2.900)	81.26 (3.200)	83.16 (3.274)	63.50 (2.500)
50	60.96 (2.400)	68.56 (2.700)	70.46 (2.774)	50.80 (2.000)
40	48.26 (1.900)	55.86 (2.200)	57.76 (2.274)	38.10 (1.500)
36	43.18 (1.700)	50.78 (2.000)	52.68 (2.074)	33.02 (1.300)
34	40.64 (1.600)	48.24 (1.900)	50.14 (1.974)	30.48 (1.200)
30	35.56 (1.400)	43.16 (1.700)	45.06 (1.774)	25.40 (1.000)
26	30.48 (1.200)	38.08 (1.500)	39.98 (1.574)	— # —
20	22.86 (.900)	30.46 (1.200)	32.36 (1.274)	— # —
16	17.78 (.700)	25.38 (1.000)	27.28 (1.074)	— # —
14	15.24 (.600)	22.84 (.900)	24.74 (.974)	— # —
10	10.16 (.400)	17.76 (.700)	19.66 (.774)	— # —
NO. OF CKTS.	DIM. A	DIM. B	DIM. C	DIM. D

REVISED EC NO: J2009-2013 DRWN: MABEI 2009/03/12 CHKD: THARUYAMA 2009/03/13 APPR: NUKITA 2009/03/16 K REV DESCRIPTION	GENERAL TOLERANCES (UNLESS SPECIFIED)		DIMENSION STYLE MM/IN		SCALE 2:1	DESIGN UNITS METRIC	THIRD ANGLE PROJECTION	
	10 UNDER ±0.2 10 OVER 30 UNDER ±0.25 30 OVER ±0.3	ANGULAR ±3 ° DRAFT WHERE APPLICABLE MUST REMAIN WITHIN DIMENSIONS		DRAWN BY H. HIRAMOTO CHECKED BY M. SASAO APPROVED BY H. IKESUGI MATERIAL NO. SEE SHEET 2	DATE 1989/08/21 DATE DATE DATE	TITLE QIK FLECS WAFER ASSY RA		
	MOLEX INCORPORATED				DOCUMENT NO. SD-5342-002	SHEET NO. 1 OF 2		
	THIS DRAWING CONTAINS INFORMATION THAT IS PROPRIETARY TO MOLEX INCORPORATED AND SHOULD NOT BE USED WITHOUT WRITTEN PERMISSION							

10 9 8 7 6 5 4 3 2 1

F

F

E

E

D

D

C

C


B

B

A

A

—#—	—#—	39-53-7504	5342-50GS17F	50
—#—	—#—	↑ -7404	↑ -40GS17F	40
—#—	—#—	—#—	—#—	36
39-28-5344	5342-34T2	—#—	—#—	34
↑ -5304	↑ -30T2	-7304	-30GS17F	30
-5264	-26T2	-7264	-26GS17F	26
-5204	-20T2	-7204	-20GS17F	20
↓ -5164	↓ -16T2	-7164	-16GS17F	16
↓ -5144	↓ -14T2	↓ —#—	↓ —#—	14
39-28-5104	5342-10T2	39-53-7104	5342-10GS17F	10
EDP NO.	ENG. NO.	EDP NO.	ENG. NO.	NO. OF
5342-NT2		5342-NGS17F		CKTS.

REVISED EC NO: J2009-2013 DRWN: MABEL 2009/03/12 CHKD: THARUYAMA 2009/03/13 APPR: NUKITA 2009/03/16	GENERAL TOLERANCES (UNLESS SPECIFIED)		DIMENSION STYLE MM/IN		SCALE 2:1	DESIGN UNITS METRIC		THIRD ANGLE PROJECTION	
	10 UNDER	± 0.2	DRAWN BY H. HIRAMOTO		DATE 1989/08/21		TITLE QIK FLECS WAFER ASSY RA		
	10 OVER 30 UNDER	± 0.25	CHECKED BY M. SASAO		DATE		 MOLEX INCORPORATED		
	30 OVER	± 0.3	APPROVED BY H. IKESUGI		DATE				
	ANGULAR ± 3 °		MATERIAL NO.		DOCUMENT NO.		SHEET NO.		
DRAFT WHERE APPLICABLE MUST REMAIN WITHIN DIMENSIONS		SEE TABLE		SD-5342-002		2 OF 2			

THIS DRAWING CONTAINS INFORMATION THAT IS PROPRIETARY TO MOLEX INCORPORATED AND SHOULD NOT BE USED WITHOUT WRITTEN PERMISSION





Компания «ЭлектроПласт» предлагает заключение долгосрочных отношений при поставках импортных электронных компонентов на взаимовыгодных условиях!

Наши преимущества:

- Оперативные поставки широкого спектра электронных компонентов отечественного и импортного производства напрямую от производителей и с крупнейших мировых складов;
- Поставка более 17-ти миллионов наименований электронных компонентов;
- Поставка сложных, дефицитных, либо снятых с производства позиций;
- Оперативные сроки поставки под заказ (от 5 рабочих дней);
- Экспресс доставка в любую точку России;
- Техническая поддержка проекта, помощь в подборе аналогов, поставка прототипов;
- Система менеджмента качества сертифицирована по Международному стандарту ISO 9001;
- Лицензия ФСБ на осуществление работ с использованием сведений, составляющих государственную тайну;
- Поставка специализированных компонентов (Xilinx, Altera, Analog Devices, Intersil, Interpoint, Microsemi, Aeroflex, Peregrine, Syfer, Eurofarad, Texas Instrument, Miteq, Cobham, E2V, MA-COM, Hittite, Mini-Circuits, General Dynamics и др.);

Помимо этого, одним из направлений компании «ЭлектроПласт» является направление «Источники питания». Мы предлагаем Вам помощь Конструкторского отдела:

- Подбор оптимального решения, техническое обоснование при выборе компонента;
- Подбор аналогов;
- Консультации по применению компонента;
- Поставка образцов и прототипов;
- Техническая поддержка проекта;
- Защита от снятия компонента с производства.



#### Как с нами связаться

**Телефон:** 8 (812) 309 58 32 (многоканальный)

**Факс:** 8 (812) 320-02-42

**Электронная почта:** [org@eplast1.ru](mailto:org@eplast1.ru)

**Адрес:** 198099, г. Санкт-Петербург, ул. Калинина, дом 2, корпус 4, литера А.