

PLEASE CHECK WWW.MOLEX.COM FOR LATEST PART INFORMATION

Part Number: **0528851474**
Status: **Active**
Description: 0.635mm (.025") Pitch SlimStack™ Receptacle, Surface Mount, Dual Row, Vertical Stacking, 5.00 to 10.00mm (.197 to .394") Stacking Heights, Embossed Tape with Cover Packaging, 140 Circuits, Lead-free

Documents:

[3D Model](#) [Product Specification PS-52760-015 \(PDF\)](#)
[Drawing \(PDF\)](#) [RoHS Certificate of Compliance \(PDF\)](#)

Agency Certification

UL E29179

General

Product Family PCB Receptacles
 Series [52885](#)
 Application Board-to-Board
 Comments Stacking-Type
 Product Name SlimStack™

Physical

Circuits (Loaded) 140
 Color - Resin Natural
 Durability (mating cycles max) 50
 Flammability 94V-0
 Glow-Wire Compliant No
 Mated Height (mm) 10.00 mm, 5.00 mm, 6.00 mm, 7.00 mm, 8.00 mm, 9.00 mm
 Material - Metal Phosphor Bronze
 Material - Plating Mating Gold
 Material - Plating Termination Tin
 Material - Resin High Temperature Thermoplastic
 Number of Rows 2
 Orientation Vertical
 PCB Locator Yes
 PCB Retention Yes
 Packaging Type Embossed Tape on Reel
 Pitch - Mating Interface (in) 0.025 In
 Pitch - Mating Interface (mm) 0.64 mm
 Plating min: Mating (µin) 10
 Plating min: Mating (µm) 0.25
 Plating min: Termination (µin) 80
 Plating min: Termination (µm) 2
 Polarized to PCB Yes
 Robotic Placement Pick and Place Cap
 Surface Mount Compatible (SMC) N/A
 Temperature Range - Operating -55°C to +85°C
 Termination Interface: Style Surface Mount

Electrical

Current - Maximum per Contact 0.5A
 Voltage - Maximum 100V

Material Info

Reference - Drawing Numbers

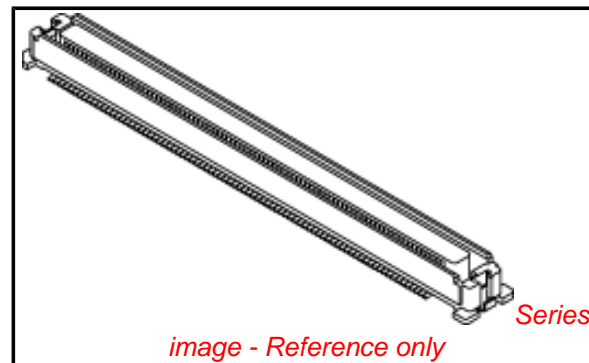


image - Reference only

EU RoHS

ELV and RoHS Compliant

REACH SVHC

Contains SVHC: No

Halogen-Free

Status

Halogen-Free

China RoHS



Need more information on product environmental compliance?

Email productcompliance@molex.com
 For a multiple part number RoHS Certificate of Compliance, [click here](#)

Please visit the [Contact Us](#) section for any non-product compliance questions.

Search Parts in this Series

[52885Series](#)

Mates With

[55091](#) , [53649](#) , [53643](#) , [53475](#) , [53627](#) ,
[53553](#) , [53552](#) , [53647](#) , [53551](#) , [53481](#) ,
[53625](#)

Product Specification

Sales Drawing

PS-52760-015, RPS-52760-017, RPS-52760-018,
RPS-52760-020, RPS-52760-021, RPS-52760-029,
RPS-52885-007, RPS-52885-008, RPS-52885-009
SD-52885-003, SD-52885-004

This document was generated on 04/15/2010

PLEASE CHECK WWW.MOLEX.COM FOR LATEST PART INFORMATION

F

E

D

C

B

A

F

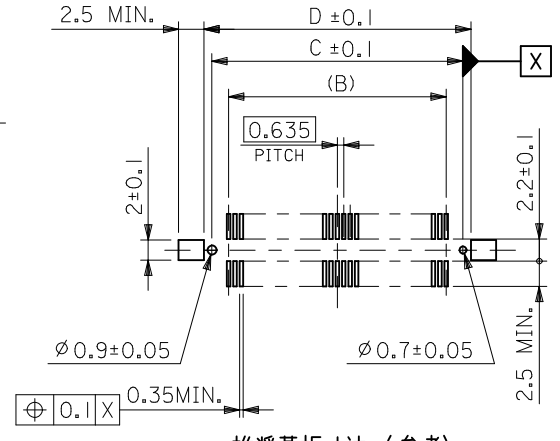
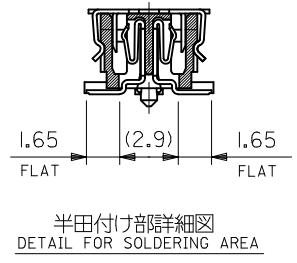
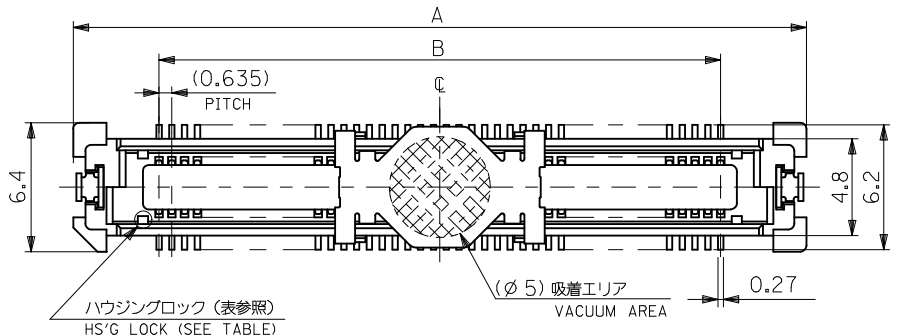
E

D

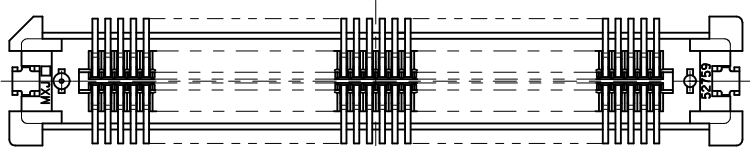
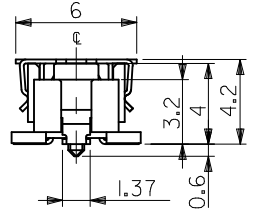
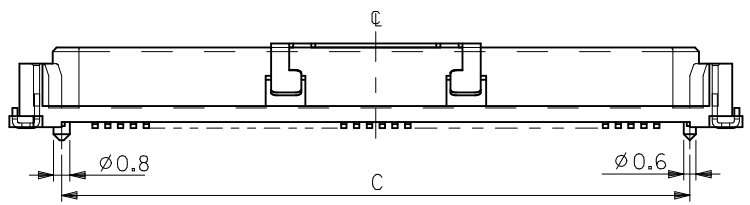
C

B

A



推奨基板寸法 (参考)
RECOMMENDED PCB PATTERN LAYOUT (REF.)
(SCALE 2:1)



注) NOTES

- 材質 MATERIAL
ハウジング: ガラス入りLCP、白色、UL94V-0
HOUSING: G.F.LCP, WHITE, UL94V-0
ターミナル: 銅合金 (t = 0.2)
TERMINAL: COPPER ALLOY
吸着カバー: ステンレス (t = 0.2)
VACUUM COVER: STAINLESS STEEL
補強金具: 銅合金 (t = 0.25)
FITTING NAIL: COPPER ALLOY
- メッキ仕様 PLATING
ターミナル: 接点部: 金メッキ 0.25 マイクロメートル以上
CONTACT AREA: GOLD 0.25 MICROMETER MINIMUM
半田付け部: 錫メッキ 1.0 マイクロメートル以上
SOLDER TAIL AREA: TIN 1.0 MICROMETER MINIMUM
下地メッキ: ニッケルメッキ 1.5 マイクロメートル以上
UNDER-PLATING: NICKEL 1.5 MICROMETER MINIMUM
補強金具: 錫メッキ 1.0 マイクロメートル以上
FITTING NAIL: TIN 1.0 MICROMETER MINIMUM
下地メッキ: ニッケルメッキ 1.0 マイクロメートル以上
UNDER-PLATING: NICKEL 1.0 MICROMETER MINIMUM

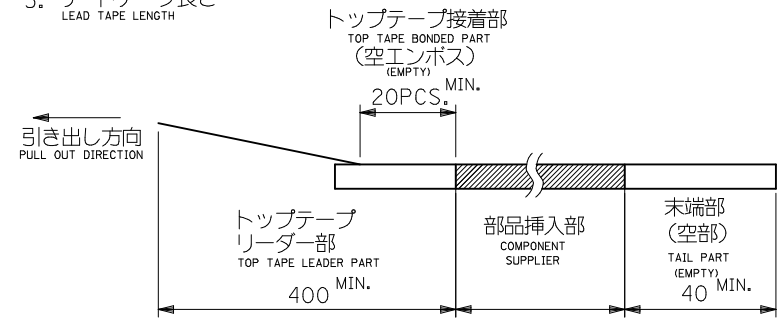
- テールのバラツキ寸法 TAIL COPLANARITY
240極以下品のテール平坦度は0.1MAX.、
240極品のテール平坦度は0.12MAX.とする。
TAILS COPLANARITY TO BE 0.1MAX.
IN 240 CIRCUITS, TAILS COPLANARITY TO BE 0.12MAX.
- エンボス対応済みの極数については、SD-52885-004を参照下さい。
FOR THE EMBOSSED PACKAGE PRODUCTS, SEE SD-52885-004.

無し NO	80.47	78.87	75.565	84.07	52885-2474	240
	67.77	66.17	62.865	71.37	52885-2074	200
	55.07	53.47	50.165	58.67	52885-1674	160
	48.72	47.12	43.815	52.32	52885-1474	140
	42.37	40.77	37.465	45.97	52885-1274	120
	36.02	34.42	31.115	39.62	52885-1074	100
	32.85	31.25	27.94	36.45	↑ -0974	90
29.67	28.07	24.765	33.27	↑ -0874	80	
有り YES	26.5	24.9	21.59	30.1	↑ -0774	70
	23.32	21.72	18.415	26.92	↑ -0674	60
	20.15	18.55	15.24	23.75	↑ -0574	50
	16.97	15.37	12.065	20.57	↑ -0474	40
ハウジングロック HSG LOCK	13.8	12.2	8.89	17.4	↓ -0374	30
	10.62	9.02	5.715	14.22	↓ -0274	20
CONNECTORS SERIES No.					52885-***72	極数 CKT. NO.

REVISED EC NO: J2010-2458 DRWN: KAIHO 2010/06/04 CHKD: T. JO 2010/06/10 APPR: MSASAO 2010/06/11	GENERAL TOLERANCES (UNLESS SPECIFIED)		DIMENSION STYLE MM ONLY		SCALE ---	DESIGN UNITS METRIC		THIRD ANGLE PROJECTION	
	10 UNDER	± 0.2	DRAWN BY M. NAGATA	DATE 2004/02/25	TITLE 0.635 PITCH B TO B S/T REC. HSG ASSY -LEAD FREE-				
	10 OVER 30 UNDER	± 0.25	CHECKED BY K. TOJO	DATE 2004/02/25	MOLEX INCORPORATED				
	30 OVER	± 0.3	APPROVED BY M. SASAO	DATE 2004/02/25					
	ANGULAR ± 3 °		MATERIAL NO. SEE CHART		DOCUMENT NO. SD-52885-003		SHEET NO. 1 OF 1		
DRAFT WHERE APPLICABLE MUST REMAIN WITHIN DIMENSIONS		THIS DRAWING CONTAINS INFORMATION THAT IS PROPRIETARY TO MOLEX INCORPORATED AND SHOULD NOT BE USED WITHOUT WRITTEN PERMISSION							

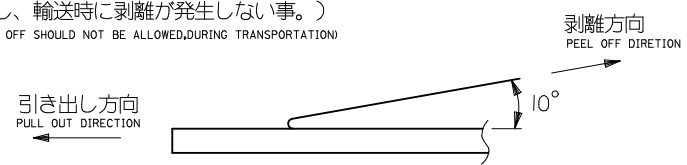
注)
NOTES

- 製品番号 52885-**72 の詳細寸法については SD-52885-003 を参照下さい。
IN THE PACKAGE , PART NO. 52885-**72 DETAILED DIMENSIONS , SEE SD-52885-003
- 梱包数量 : 1000個/リール
NUMBER OF CONNECTORS : 1000 PCS/REEL
- リードテープ長さ
LEAD TAPE LENGTH

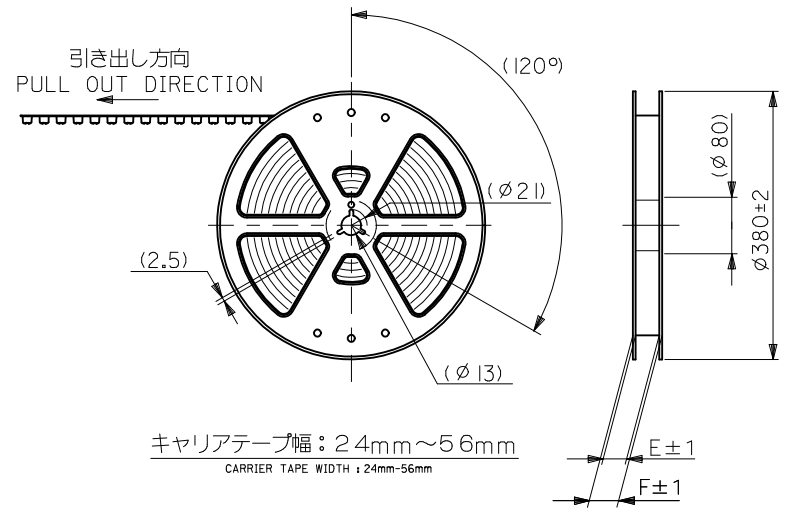


- トップテープの剥離強度 (剥離方向は下図参照)
PEELING OFF FORCE OF TOP TAPE (PEELING DIRECTION AS SHOWN IN FOLLOWING FIG.)
0.1~0.3N {10~130gf}

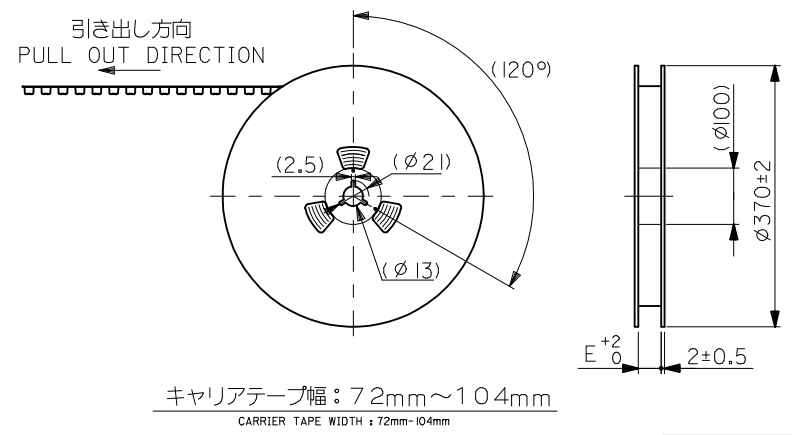
尚、本規格値は、出荷時に適用。
THIS REQUIREMENT SHOULD BE APPLIED AT SHIPMENT
(但し、輸送時に剥離が発生しない事。)
(PEEL OFF SHOULD NOT BE ALLOWED, DURING TRANSPORTATION)



- 材料
MATERIAL
キャリアテープ : ポリプロピレン (PP)
CARRIER TAPE : POLYPROPYLENE (PP)
トップテープ : PET, PE, PEF
TOP TAPE : PET, PE, PEF
リール : キャリアテープ幅 24mm~56mm : ポリスチレン
REEL : CARRIER TAPE WIDTH 24mm-56mm : POLYSTYRENE
キャリアテープ幅 72mm~104mm : 紙
CARRIER TAPE WIDTH 72mm-104mm : CARD BOARD

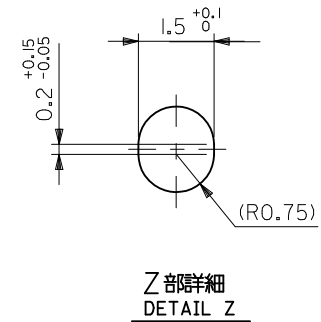
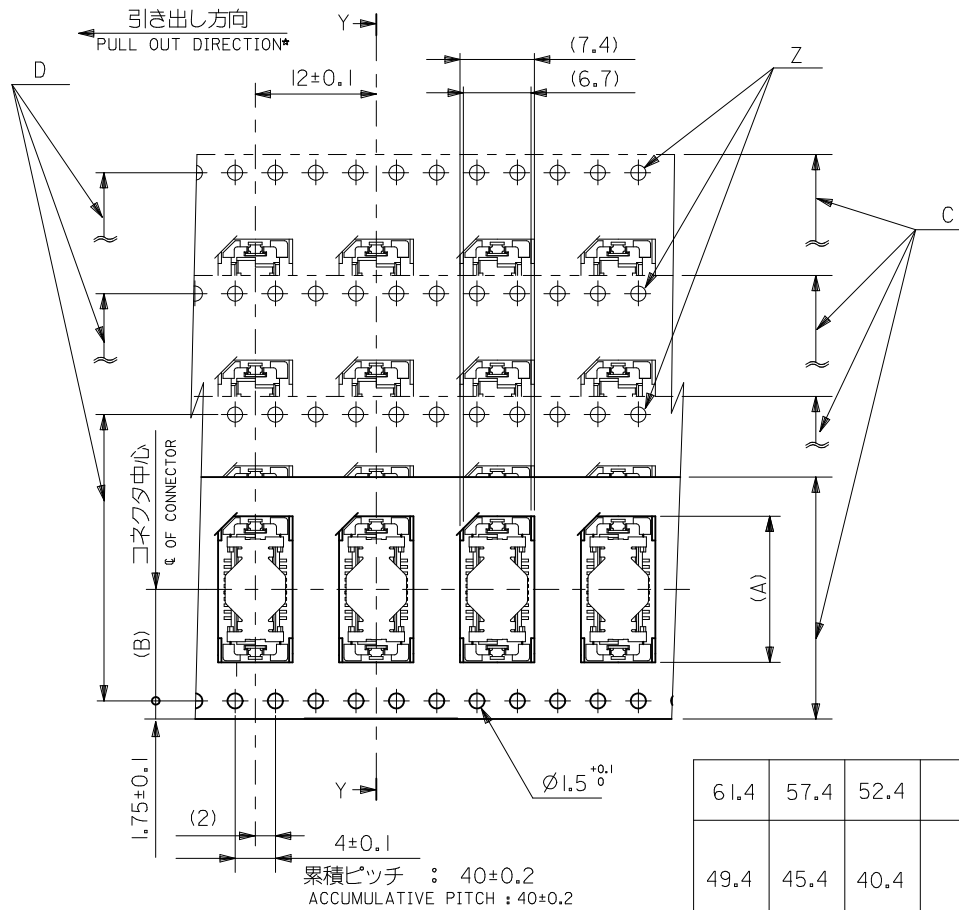
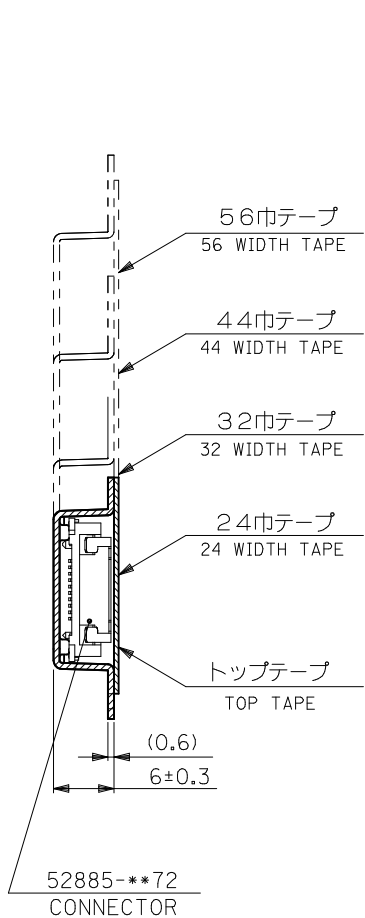


キャリアテープ幅 : 24mm~56mm
CARRIER TAPE WIDTH : 24mm-56mm



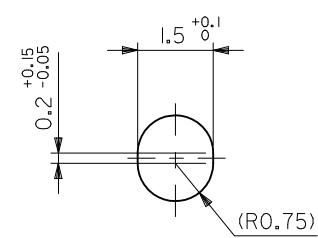
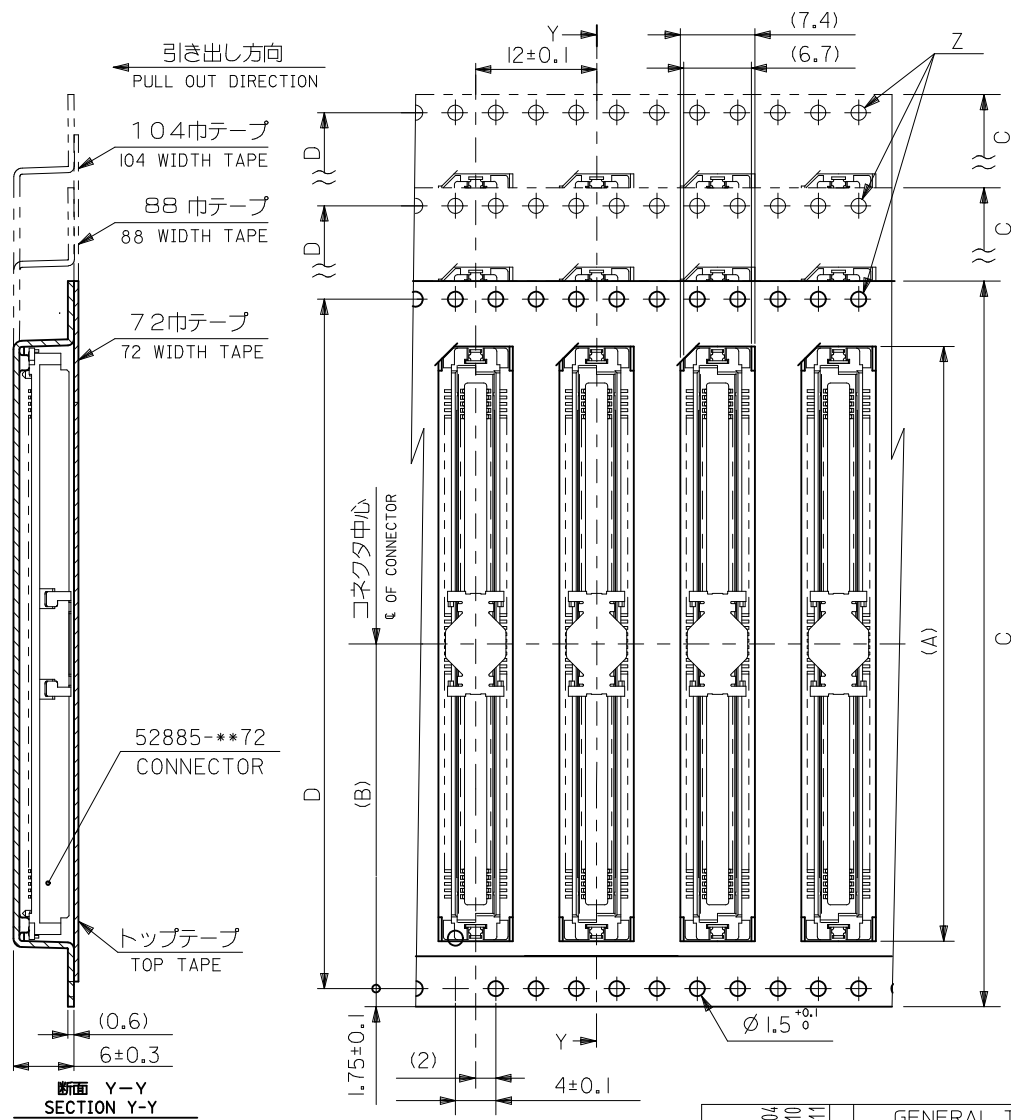
キャリアテープ幅 : 72mm~104mm
CARRIER TAPE WIDTH : 72mm-104mm

REVISED EC NO: J2010-2458 DRWN: KAIHO CHKD: K. TOJO APPR: MSASAO	DESCRIPTION 2010/06/04 2010/06/10 2010/06/11	GENERAL TOLERANCES (UNLESS SPECIFIED)		DIMENSION STYLE MM ONLY		CONNECTOR SERIES No.	52885-**72	
		10 UNDER	± ---	DRAWN BY	DATE	SCALE	DESIGN UNITS	THIRD ANGLE PROJECTION
		10 OVER 30 UNDER	± ---	M. NAGATA	2004/02/25	---	METRIC	
		30 OVER	± ---	CHECKED BY	DATE	TITLE		
REV C	REV	ANGULAR ± --- °		APPROVED BY	DATE	52885-**72 TAPING PACKAGE -LEAD FREE-		
		DRAFT WHERE APPLICABLE MUST REMAIN WITHIN DIMENSIONS		M. SASAO	2004/02/25	MOLEX INCORPORATED		
		SIZE A3		MATERIAL NO. SEE TABLE		DOCUMENT NO. SD-52885-004		SHEET NO. 1 OF 3



61.4	57.4	52.4	56 ^{+0.3}	26.2	39.9	52885-1074	100
					36.8	-0974	90
49.4	45.4	40.4	44 ^{+0.3}	20.2	33.6	-0874	80
					30.4	-0774	70
					27.2	-0674	60
					24.1	-0574	50
37.4	33.4	28.4	32 ^{+0.3}	14.2	20.9	-0474	40
					17.7	-0374	30
29.4	25.4	—	24 ^{+0.3}	11.5	14.5	52885-0274	20
F	E	D	C	キャリアテープ幅 CARRIER TAPE WIDTH	(B)	(A)	MATERIAL NO. 極致 CKT.NO.

REVISED EC NO: J2010-2458 DRWN:TKAIHO CHKD:K.TOJO APPR:MSASAO 2010/06/04 2010/06/10 2010/06/11	GENERAL TOLERANCES (UNLESS SPECIFIED)		DIMENSION STYLE MM ONLY		CONNECTOR SERIES No. 52885-***72
	10 UNDER	± ---	DRAWN BY M. NAGATA	DATE 2004/02/25	SCALE ---
	10 OVER 30 UNDER	± ---	CHECKED BY K. TOJO	DATE 2004/02/25	DESIGN UNITS METRIC
	30 OVER	± ---	APPROVED BY M. SASAO	DATE 2004/02/25	THIRD ANGLE PROJECTION
	ANGULAR ± --- °	DRAFT WHERE APPLICABLE MUST REMAIN WITHIN DIMENSIONS		MOLEX INCORPORATED SD-52885-004 SHEET NO. 2 OF 3	
		SEE TABLE		THIS DRAWING CONTAINS INFORMATION THAT IS PROPRIETARY TO MOLEX INCORPORATED AND SHOULD NOT BE USED WITHOUT WRITTEN PERMISSION	



Z部詳細
DETAIL Z

累積ピッチ : 40±0.2
ACCUMULATIVE PITCH : 40±0.2

104.4	100.4	104±0.3	50.2	84.4	52885-2474	240
88.4	84.4	88±0.3	42.2	71.7	52885-2074	200
72.4	68.4	72 ^{+0.3}	34.2	59.0	52885-1674	160
				52.6	52885-1474	140
				46.3	52885-1274	120
E	D	C	キャリアテープ幅 CARRIER TAPE WIDTH	(B)	(A)	MATERIAL NO. 種数 CKT.NO.

REVISED EC NO: J2010-2458 DRWN:TKAIHO 2010/06/04 CH'KD:K.TOJO 2010/06/10 APPR:MSASAO 2010/06/11	GENERAL TOLERANCES (UNLESS SPECIFIED)		DIMENSION STYLE MM ONLY		CONNECTOR SERIES No. 52885-**72	
	10 UNDER	±---	DRAWN BY M. NAGATA	DATE 2004/02/25	SCALE ---	DESIGN UNITS METRIC
	10 OVER 30 UNDER	±---	CHECKED BY K. TOJO	DATE 2004/02/25	TITLE 52885-**72 TAPING PACKAGE -LEAD FREE-	
	30 OVER	±---	APPROVED BY M. SASAO	DATE 2004/02/25	MOLEX INCORPORATED	
	ANGULAR ±---°		MATERIAL NO.		DOCUMENT NO.	
DRAFT WHERE APPLICABLE MUST REMAIN WITHIN DIMENSIONS		SEE TABLE		SD-52885-004		
SIZE A3		THIS DRAWING CONTAINS INFORMATION THAT IS PROPRIETARY TO MOLEX INCORPORATED AND SHOULD NOT BE USED WITHOUT WRITTEN PERMISSION				SHEET NO. 3 OF 3



Компания «ЭлектроПласт» предлагает заключение долгосрочных отношений при поставках импортных электронных компонентов на взаимовыгодных условиях!

Наши преимущества:

- Оперативные поставки широкого спектра электронных компонентов отечественного и импортного производства напрямую от производителей и с крупнейших мировых складов;
- Поставка более 17-ти миллионов наименований электронных компонентов;
- Поставка сложных, дефицитных, либо снятых с производства позиций;
- Оперативные сроки поставки под заказ (от 5 рабочих дней);
- Экспресс доставка в любую точку России;
- Техническая поддержка проекта, помощь в подборе аналогов, поставка прототипов;
- Система менеджмента качества сертифицирована по Международному стандарту ISO 9001;
- Лицензия ФСБ на осуществление работ с использованием сведений, составляющих государственную тайну;
- Поставка специализированных компонентов (Xilinx, Altera, Analog Devices, Intersil, Interpoint, Microsemi, Aeroflex, Peregrine, Syfer, Eurofarad, Texas Instrument, Miteq, Cobham, E2V, MA-COM, Hittite, Mini-Circuits, General Dynamics и др.);

Помимо этого, одним из направлений компании «ЭлектроПласт» является направление «Источники питания». Мы предлагаем Вам помощь Конструкторского отдела:

- Подбор оптимального решения, техническое обоснование при выборе компонента;
- Подбор аналогов;
- Консультации по применению компонента;
- Поставка образцов и прототипов;
- Техническая поддержка проекта;
- Защита от снятия компонента с производства.



Как с нами связаться

Телефон: 8 (812) 309 58 32 (многоканальный)

Факс: 8 (812) 320-02-42

Электронная почта: org@eplast1.ru

Адрес: 198099, г. Санкт-Петербург, ул. Калинина, дом 2, корпус 4, литера А.