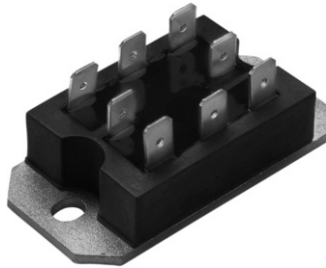


Passivated Assembled Circuit Elements, 40 A



PACE-PAK (D-19)

FEATURES

- Glass passivated junctions for greater reliability
- Electrically isolated base plate
- Available up to 1200 V_{RRM}/V_{DRM}
- High dynamic characteristics
- Wide choice of circuit configurations
- Simplified mechanical design and assembly
- UL E78996 approved
- RoHS compliant



DESCRIPTION

The P400 series of integrated power circuits consists of power thyristors and power diodes configured in a single package. With its isolating base plate, mechanical designs are greatly simplified giving advantages of cost reduction and reduced size.

Applications include power supplies, control circuits and battery chargers.

PRODUCT SUMMARY

I_D	40 A
-------	------

MAJOR RATINGS AND CHARACTERISTICS

PARAMETER	CHARACTERISTICS	VALUES	UNITS
I_D	80 °C	40	A
I_{FSM}	50 Hz	385	A
	60 Hz	400	
I^2t	50 Hz	745	A ² s
	60 Hz	680	
$I^2\sqrt{t}$		7450	A ² √s
V_{RRM}	Range	400 to 1200	V
V_{ISOL}		2500	V
T_J		- 40 to 125	°C

ELECTRICAL SPECIFICATIONS

VOLTAGE RATINGS

TYPE NUMBER	V_{RRM}/V_{DRM} , MAXIMUM REPETITIVE PEAK REVERSE AND PEAK OFF-STATE VOLTAGE V	V_{RSM} , MAXIMUM NON-REPETITIVE PEAK REVERSE VOLTAGE V	I_{RRM} MAXIMUM AT T_J MAXIMUM mA
P401, P421, P431	400	500	10
P402, P422, P432	600	700	
P403, P423, P433	800	900	
P404, P424, P434	1000	1100	
P405, P425, P435	1200	1300	



ON-STATE CONDUCTION					
PARAMETER	SYMBOL	TEST CONDITIONS		VALUES	UNITS
Maximum DC output current at case temperature	I_D	Full bridge circuits		40	A
				80	°C
Maximum peak, one-cycle non-repetitive on-state or forward current	I_{TSM} , I_{FSM}	t = 10 ms	No voltage reapplied	385	A
		t = 8.3 ms			
		t = 10 ms	100 % V_{RRM} reapplied	325	
		t = 8.3 ms		340	
Maximum I^2t for fusing	I^2t	t = 10 ms	No voltage reapplied	745	A ² s
		t = 8.3 ms			
		t = 10 ms	100 % V_{RRM} reapplied	530	
		t = 8.3 ms		480	
Maximum $I^2\sqrt{t}$ for fusing	$I^2\sqrt{t}$	t = 0.1 to 10 ms, no voltage reapplied I^2t for time $t_x = I^2\sqrt{t} \cdot \sqrt{t_x}$		7450	A ² √s
Low level value of threshold voltage	$V_{T(TO)1}$	$(16.7\% \times \pi \times I_{T(AV)}) < I < \pi \times I_{T(AV)}$, $T_J = T_J$ maximum		0.83	V
High level value of threshold voltage	$V_{T(TO)2}$	$I > \pi \times I_{T(AV)}$, $T_J = T_J$ maximum		1.03	
Low level value of on-state slope resistance	$r_{\theta 1}$	$(16.7\% \times \pi \times I_{T(AV)}) < I < \pi \times I_{T(AV)}$, $T_J = T_J$ maximum		9.61	mΩ
High level value of on-state slope resistance	$r_{\theta 2}$	$I > \pi \times I_{T(AV)}$, $T_J = T_J$ maximum		7.01	
Maximum on-state voltage drop	V_{TM}	$I_{TM} = \pi \times I_{T(AV)}$, $T_J = 25\text{ °C}$		1.4	V
Maximum forward voltage drop	V_{FM}	$I_{TM} = \pi \times I_{T(AV)}$, $T_J = 25\text{ °C}$		1.4	V
Maximum non-repetitive rate of rise of turned-on current	dI/dt	$T_J = 125\text{ °C}$ from 0.67 V_{DRM} $I_{TM} = \pi \times I_{T(AV)}$, $I_g = 500\text{ mA}$, $t_r < 0.5\text{ }\mu\text{s}$, $t_p > 6\text{ }\mu\text{s}$		200	A/μs
Maximum holding current	I_H	$T_J = 25\text{ °C}$ anode supply = 6 V, resistive load		130	mA
Maximum latching current	I_L			250	

BLOCKING					
PARAMETER	SYMBOL	TEST CONDITIONS		VALUES	UNITS
Maximum critical rate of rise of off-state voltage	dV/dt	$T_J = 125\text{ °C}$, exponential to 0.67 V_{DRM} gate open		200	V/μs
Maximum peak reverse and off-state leakage current at V_{RRM} , V_{DRM}	I_{RRM} , I_{DRM}	$T_J = 125\text{ °C}$, gate open circuit		10	mA
Maximum peak reverse leakage current	I_{RRM}	$T_J = 25\text{ °C}$		100	μA
RMS isolation voltage	V_{ISOL}	50 Hz, circuit to base, all terminals shorted, $T_J = 25\text{ °C}$, t = 1 s		2500	V

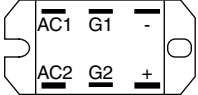
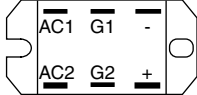
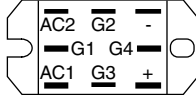
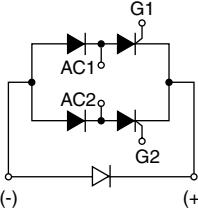
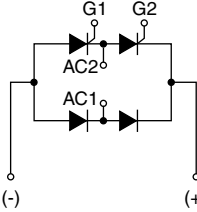
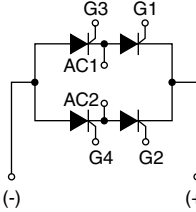


TRIGGERING					
PARAMETER	SYMBOL	TEST CONDITIONS		VALUES	UNITS
Maximum peak gate power	P_{GM}			8	W
Maximum average gate power	$P_{G(AV)}$			2	
Maximum peak gate current	I_{GM}			2	A
Maximum peak negative gate voltage	$-V_{GM}$			10	V
Maximum gate voltage required to trigger	V_{GT}	$T_J = -40\text{ }^\circ\text{C}$	Anode supply = 6 V resistive load	3	V
		$T_J = 25\text{ }^\circ\text{C}$		2	
		$T_J = 125\text{ }^\circ\text{C}$		1	
Maximum gate current required to trigger	I_{GT}	$T_J = -40\text{ }^\circ\text{C}$		90	mA
		$T_J = 25\text{ }^\circ\text{C}$		60	
		$T_J = 125\text{ }^\circ\text{C}$		35	
Maximum gate voltage that will not trigger	V_{GD}	$T_J = 125\text{ }^\circ\text{C}$, rated V_{DRM} applied		0.2	V
Maximum gate current that will not trigger	I_{GD}			2	mA

THERMAL AND MECHANICAL SPECIFICATIONS					
PARAMETER	SYMBOL	TEST CONDITIONS		VALUES	UNITS
Maximum junction operating and storage temperature range	T_J, T_{Stg}			- 40 to 125	$^\circ\text{C}$
Maximum thermal resistance, junction to case per junction	R_{thJC}	DC operation		1.05	K/W
Maximum thermal resistance, case to heatsink	R_{thCS}	Mounting surface, smooth and greased		0.10	
Mounting torque, base to heatsink ⁽¹⁾				4	Nm
Approximate weight				58	g
				2.0	oz.

Note

⁽¹⁾ A mounting compound is recommended and the torque should be checked after a period of 3 hours to allow for the spread of the compound

CIRCUIT TYPE AND CODING ⁽¹⁾			
	CIRCUIT "0"	CIRCUIT "2"	CIRCUIT "3"
Terminal positions			
Schematic diagram			
	Single phase hybrid bridge common cathode	Single phase hybrid bridge doubler	Single phase all SCR bridge
Basic series	P40.	P42.	P43.
With voltage suppression	P40.K	P42.K	P43.K
With freewheeling diode	P40.W	-	-
With both voltage suppression and freewheeling diode	P40.KW	-	-

Note

⁽¹⁾ To complete code refer to Voltage Ratings table, i.e.: For 600 V P40.W complete code is P402W

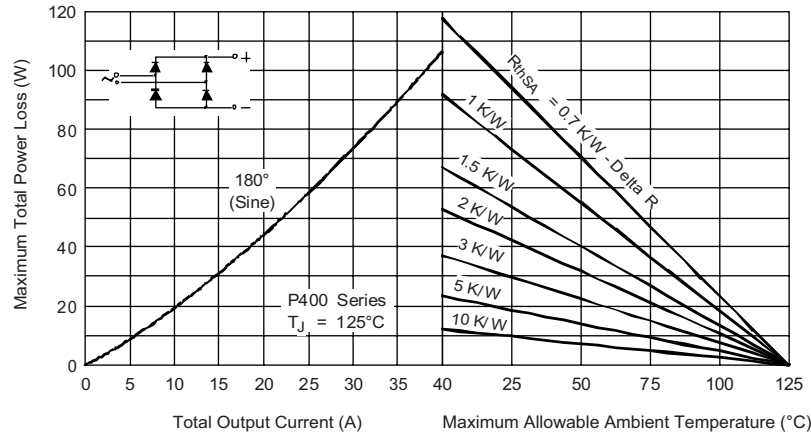


Fig. 1 - Current Ratings Nomogram (1 Module Per Heatsink)

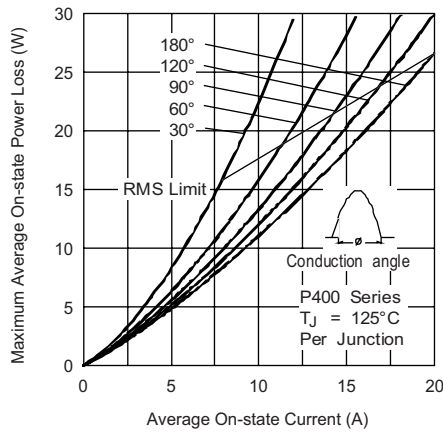


Fig. 2 - On-State Power Loss Characteristics

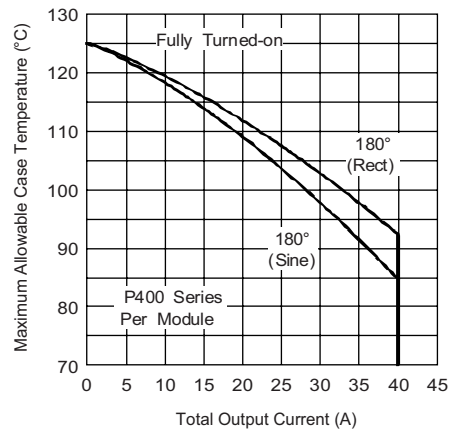


Fig. 4 - Current Ratings Characteristics

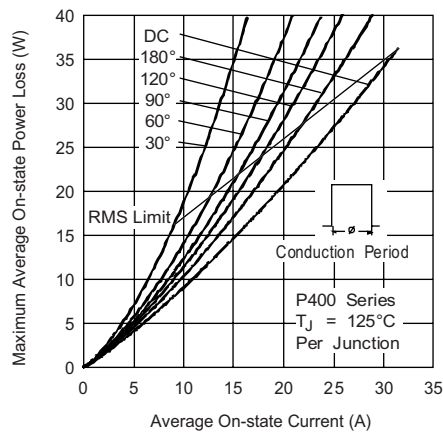


Fig. 3 - On-State Power Loss Characteristics

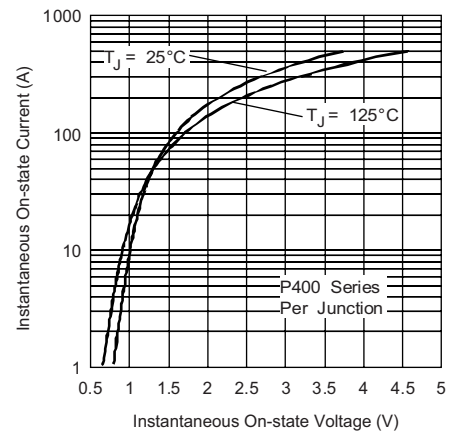


Fig. 5 - On-State Voltage Drop Characteristics

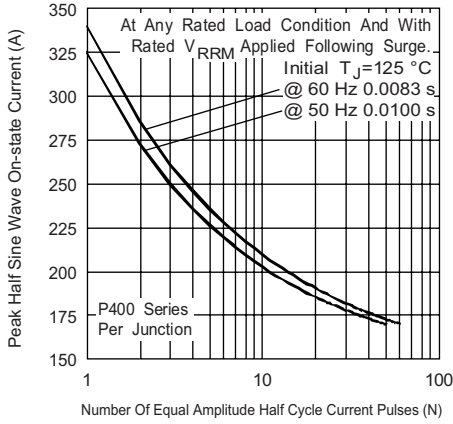


Fig. 6 - Maximum Non-Repetitive Surge Current

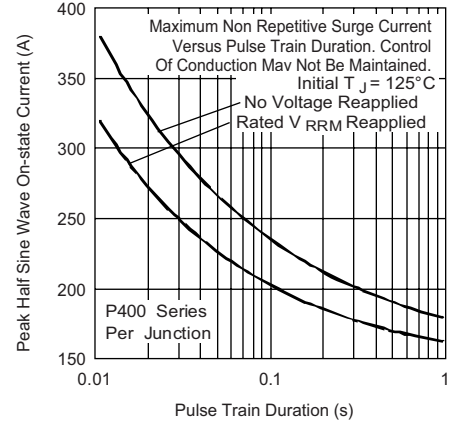


Fig. 7 - Maximum Non-Repetitive Surge Current

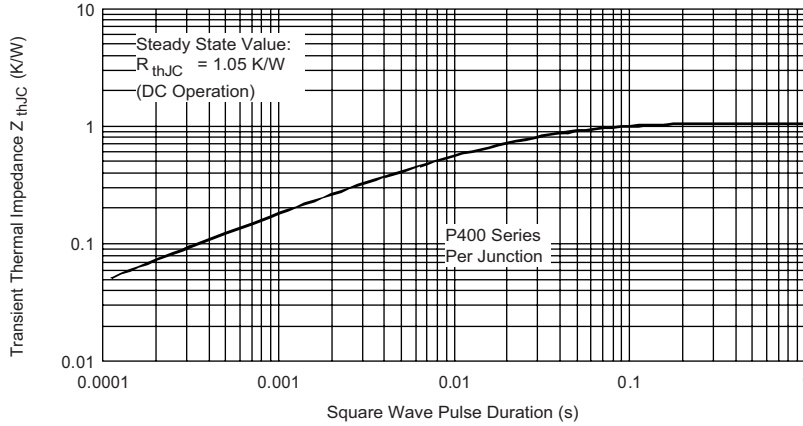


Fig. 8 - Thermal Impedance Z_{thJC} Characteristics

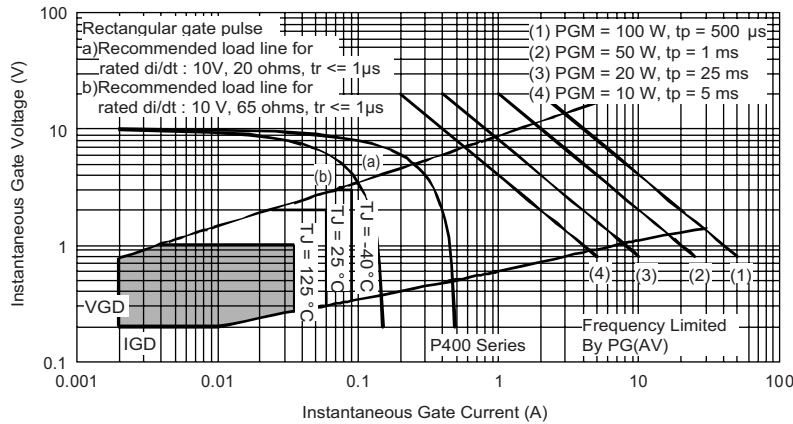


Fig. 9 - Gate Characteristics

LINKS TO RELATED DOCUMENTS

Dimensions

<http://www.vishay.com/doc?95335>



Компания «ЭлектроПласт» предлагает заключение долгосрочных отношений при поставках импортных электронных компонентов на взаимовыгодных условиях!

Наши преимущества:

- Оперативные поставки широкого спектра электронных компонентов отечественного и импортного производства напрямую от производителей и с крупнейших мировых складов;
- Поставка более 17-ти миллионов наименований электронных компонентов;
- Поставка сложных, дефицитных, либо снятых с производства позиций;
- Оперативные сроки поставки под заказ (от 5 рабочих дней);
- Экспресс доставка в любую точку России;
- Техническая поддержка проекта, помощь в подборе аналогов, поставка прототипов;
- Система менеджмента качества сертифицирована по Международному стандарту ISO 9001;
- Лицензия ФСБ на осуществление работ с использованием сведений, составляющих государственную тайну;
- Поставка специализированных компонентов (Xilinx, Altera, Analog Devices, Intersil, Interpoint, Microsemi, Aeroflex, Peregrine, Syfer, Eurofarad, Texas Instrument, Miteq, Cobham, E2V, MA-COM, Hittite, Mini-Circuits, General Dynamics и др.);

Помимо этого, одним из направлений компании «ЭлектроПласт» является направление «Источники питания». Мы предлагаем Вам помощь Конструкторского отдела:

- Подбор оптимального решения, техническое обоснование при выборе компонента;
- Подбор аналогов;
- Консультации по применению компонента;
- Поставка образцов и прототипов;
- Техническая поддержка проекта;
- Защита от снятия компонента с производства.



Как с нами связаться

Телефон: 8 (812) 309 58 32 (многоканальный)

Факс: 8 (812) 320-02-42

Электронная почта: org@eplast1.ru

Адрес: 198099, г. Санкт-Петербург, ул. Калинина, дом 2, корпус 4, литера А.