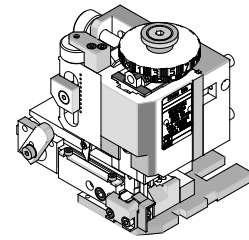


**FineAdjust
Applicator**



**Application Tooling
Specification Sheet**



Order No. 63901-8600

FEATURES THIS APPLICATOR IS FOR AUTOMATIC WIRE PROCESSOR USE ONLY.

- Quick punch removal with the push of a button for fast and easy tooling change
- Applicator designed to industry standard mounting and shut height 135.80mm (5.346")
- Quick set-up time; plus the crimp height, track and feed adjustments can be set without removing the applicator from the press
- Fine adjustment allows users to achieve target with little effort by adjusting in increments of .015mm (.0006") for conductor crimp height and .063mm (.0025") for insulation height
- Independent adjustment rings allow users to quickly adjust the conductor or insulation crimp height without affecting each other
- Directly adapts to most automatic wire processing machines

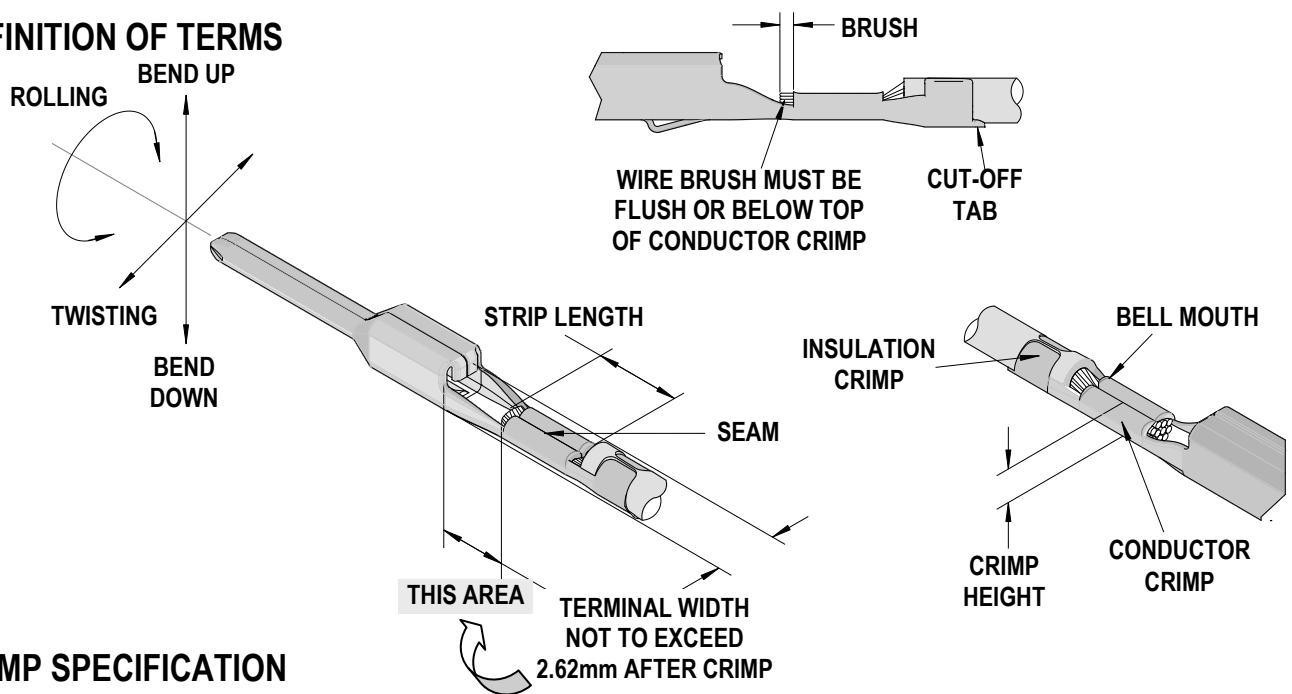
SCOPE

Products: MX150 ISO (M3) Blade Terminals: 0.35, 0.50 metric, type ISO wire.

Terminal Series No.	Terminal Order No.		Wire Size and Type		Insulation Diameter		Strip Length	
			mm ²	Type	mm	In.	mm	In.
33000	33000-1004		0.35	ISO	1.20-1.40	.047-.055	4.70-5.60	.185-.220
			0.50	ISO	1.40-1.70	.055-.067	4.70-5.60	.185-.220
33011	33011-0008	33011-3004	0.35	ISO	1.20-1.40	.047-.055	4.70-5.60	.185-.220
			0.50	ISO	1.40-1.70	.055-.067	4.70-5.60	.185-.220
34781	34781-1004		0.35	ISO	1.20-1.40	.047-.055	4.70-5.60	.185-.220
			0.50	ISO	1.40-1.70	.055-.067	4.70-5.60	.185-.220

Terminals were validated per USCAR-21 using the ISO 6722 wire specifications.
Customers are required to complete validation testing if tooling purchased outside Molex Inc.
And/or wire specifications are different than above.

DEFINITION OF TERMS



CRIMP SPECIFICATION

Terminal Series No.	Bell mouth		Cut-off Tab Maximum		▶ Conductor Brush (Maximum)	
	mm	In.	mm	In.	mm	In.
33000	0.30-0.70	.012-.028	0.50	.020	0.40	.016
33011	0.30-0.70	.012-.028	0.50	.020	0.40	.016
34781	0.30-0.70	.012-.028	0.50	.020	0.40	.016

▶ Wire brush must be flush or below top of Conductor Crimp.

▶ **THIS APPLICATOR IS INTENDED FOR AUTOMATIC WIRE PROCESSOR USE ONLY.**

It is very important that the brush length is consistently within specification for this sealed connector system to work properly. This applicator should only be run in a properly setup automatic wire processor in order to consistently achieve the brush length. Any attempt to use this applicator outside a properly setup automatic wire processor will likely not meet the brush specification and cause this sealed connector system to not work properly.

Terminal Series No.	Bend up	Bend down	Twist	Roll	Punch Width mm (Ref)				Seam
	Degree		Degree		Conductor		Insulation		
					mm	In	mm	In	
33000	1.5	1.5	3	3	1.56	.061	2.00	.079	Seam shall not be open and no wire allowed out of the crimping area
33011	1.5	1.5	3	3	1.56	.061	2.00	.079	
34781	1.5	1.5	3	3	1.56	.061	2.00	.079	

After crimping, the conductor profile should measure the following.

Terminal Series No.	Wire Size	Conductor				Insulation				Pull Force Minimum	
		Crimp Height		Crimp Width		Crimp Height		Crimp Width			
		mm ²	mm	In.	mm	In.	mm	In.	mm	In.	N
33000	0.35	1.02-1.08	.040-.042	1.50-1.70	.059-.067	1.65-1.85	.065-.073	1.90-2.10	.075-.083	50	11.3
	0.50	1.05-1.15	.041-.045	1.50-1.70	.059-.067	1.80-2.00	.071-.079	1.90-2.10	.075-.083	75	16.9
33011	0.35	1.02-1.08	.040-.042	1.50-1.70	.059-.067	1.65-1.85	.065-.073	1.90-2.10	.075-.083	50	11.3
	0.50	1.05-1.15	.041-.045	1.50-1.70	.059-.067	1.80-2.00	.071-.079	1.90-2.10	.075-.083	75	16.9
34781	0.35	1.02-1.08	.040-.042	1.50-1.70	.059-.067	1.65-1.85	.065-.073	1.90-2.10	.075-.083	50	11.3
	0.50	1.05-1.15	.041-.045	1.50-1.70	.059-.067	1.80-2.00	.071-.079	1.90-2.10	.075-.083	75	16.9

Tool Qualification Notes:

1. Pull Force should be measured with no influence from the insulation crimp.
2. The above specifications are guidelines to an optimum crimp.

PARTS LIST

FineAdjust Applicator 63901-8600				
Item	Order No	Engineering No.	Description	Quantity
Perishable Tooling				
	63901-8670	63901-8670	Tool Kit (All "Y" Items)	REF
1	63457-0070	63457-0070	Conductor Punch	1 Y
2	63455-0096	63455-0096	Conductor Anvil	1 Y
3	63454-0114	63454-0114	Insulation Punch	1 Y
4	63456-0078	63456-0078	Insulation Anvil	1 Y
5	63443-0037	63443-0037	Cut-Off Plunger	1 Y
6	63443-0038	63443-0038	Front Plunger Retainer	1 Y
Other Components				
7	11-18-4094	60709A111	Feed Guide	1
8	63443-0009	63443-0009	Scrap Chute	1
9	63443-0024	63443-0024	Key	1
10	63443-0090	63443-0090	Wire Stop	1
11	63443-1716	63443-1716	Height Spacer	1
12	63443-2202	63443-2202	Coarse Spacer (2.00mm)	1
13	63443-2209	63443-2209	Coarse Spacer (9.00mm)	1
14	63443-2301	63443-2301	Fine Spacer (3.05mm)	1
15	63443-2804	63443-2804	Front Plunger Striker	1
16	63443-2915	63443-2915	Striker Plunger	1
17	63443-3204	63443-3204	Wire Pusher	1
18	63443-6115	63443-6115	Rear Cover	1
19	63600-0021	63600-0021	Striker Plunger Spring	1
20	63600-5016	63600-5016	Wire Pusher Spring	1
21	63700-0539	63700-0539	Cut-off Plunger Spring	1
22	63867-3007	63867-3007	Bottom Cap	1
Frame				
23	63800-4901	63800-4901	Top	1
24	63801-3281	63801-3281	Base	1
25	63801-4650	63801-4650	Track	1
26	63459-0001	63459-0001	Terminal Track with Relief Groove	1
Hardware				
27	N/A	N/A	M3 by 6 Long SHCS	2**
28	N/A	N/A	M3 by 6 Long FHCS	1**
29	N/A	N/A	M4 by 6 Long SHCS	2**
30	N/A	N/A	M4 by 8 Long Flat Point SSS	1**
31	N/A	N/A	M4 by 12 Long SHCS	2**
32	N/A	N/A	M4 by 12 Long BHCS	2**
33	N/A	N/A	M4 by 16 Long SHCS	1**
34	N/A	N/A	M4 by 50 Long SHCS	2**
35	N/A	N/A	M5 by 12 Long SHCS	1**
36	N/A	N/A	#10-32 by 3/8" Long Flat Point SSS	1**
37	N/A	N/A	#10-32 Hex Jam Nut	1**
** Available from an industrial supply company such as MSC (1-800-645-7270).				

Assembly Drawing

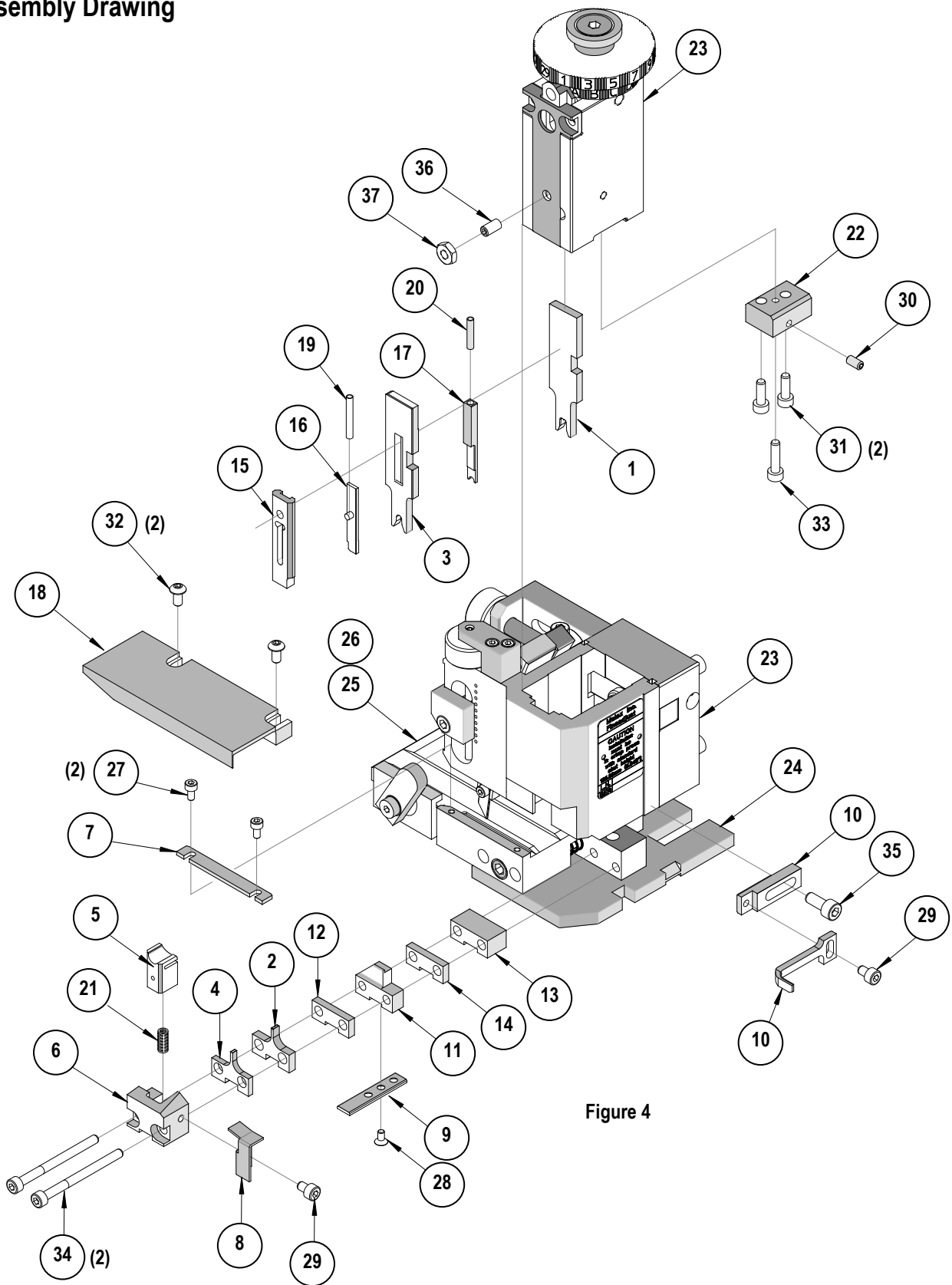


Figure 4

NOTES

1. Molex recommends an extra perishable tooling kit be maintained at your facility.
2. Verify tooling alignment by manually cycling the press and Applicator before crimping under power. Check that all screws are tight.
3. Slugs, Terminals, Dirt and Oil should be kept clear of work area.
4. Wear safety glasses at all times.
5. For recommended maintenance refer to the FineAdjust Manual.

CAUTION: This applicator should only be used in a press with a shut height of 135.80 mm (5.346"). Tooling damage could result at a lower setting.

CAUTION: To prevent injury never operate this Applicator without the guards supplied with the press or wire-processing machine in place. Reference the press or wire processing manufacturer's instruction manual.

CAUTION: Molex crimp specifications are valid only when used with Molex terminals, applicators and tooling.

Visit our Web site at <http://www.molex.com>



Компания «ЭлектроПласт» предлагает заключение долгосрочных отношений при поставках импортных электронных компонентов на взаимовыгодных условиях!

Наши преимущества:

- Оперативные поставки широкого спектра электронных компонентов отечественного и импортного производства напрямую от производителей и с крупнейших мировых складов;
- Поставка более 17-ти миллионов наименований электронных компонентов;
- Поставка сложных, дефицитных, либо снятых с производства позиций;
- Оперативные сроки поставки под заказ (от 5 рабочих дней);
- Экспресс доставка в любую точку России;
- Техническая поддержка проекта, помощь в подборе аналогов, поставка прототипов;
- Система менеджмента качества сертифицирована по Международному стандарту ISO 9001;
- Лицензия ФСБ на осуществление работ с использованием сведений, составляющих государственную тайну;
- Поставка специализированных компонентов (Xilinx, Altera, Analog Devices, Intersil, Interpoint, Microsemi, Aeroflex, Peregrine, Syfer, Eurofarad, Texas Instrument, Miteq, Cobham, E2V, MA-COM, Hittite, Mini-Circuits, General Dynamics и др.);

Помимо этого, одним из направлений компании «ЭлектроПласт» является направление «Источники питания». Мы предлагаем Вам помощь Конструкторского отдела:

- Подбор оптимального решения, техническое обоснование при выборе компонента;
- Подбор аналогов;
- Консультации по применению компонента;
- Поставка образцов и прототипов;
- Техническая поддержка проекта;
- Защита от снятия компонента с производства.



Как с нами связаться

Телефон: 8 (812) 309 58 32 (многоканальный)

Факс: 8 (812) 320-02-42

Электронная почта: org@eplast1.ru

Адрес: 198099, г. Санкт-Петербург, ул. Калинина, дом 2, корпус 4, литера А.