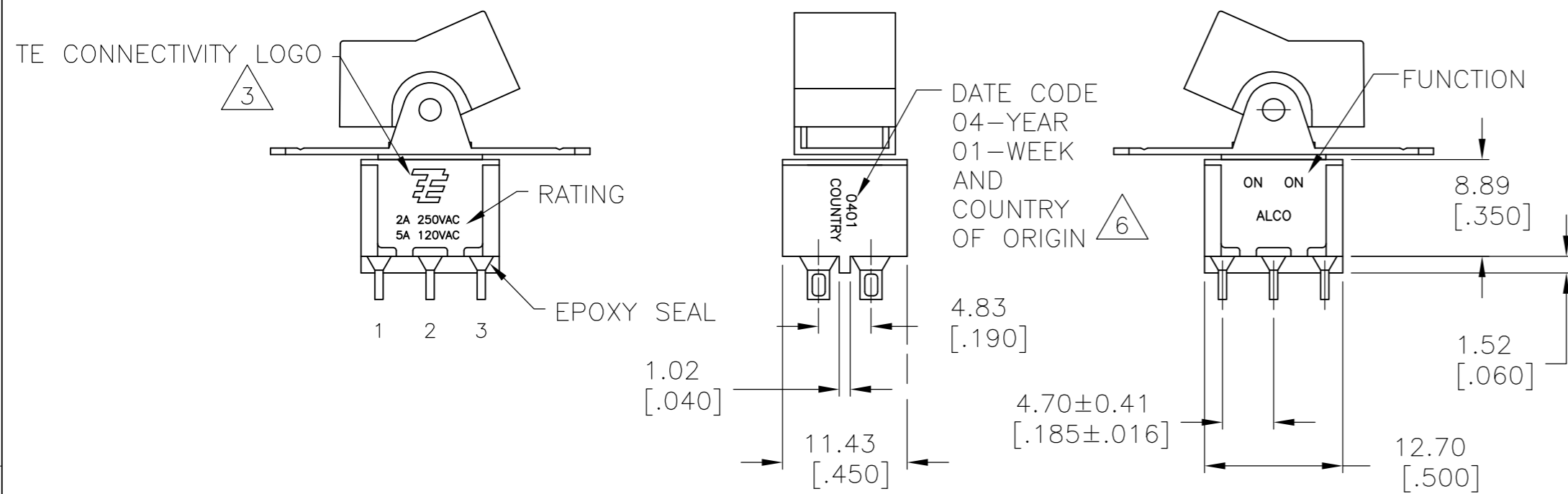


THIS DRAWING IS UNPUBLISHED. RELEASED FOR PUBLICATION
 © COPYRIGHT - By - ALL RIGHTS RESERVED.

LOC		DIST		REVISIONS			
P	LTR	DESCRIPTION	DATE	DWN	APVD		
AD	00	A7	REVISED PER ECO-14-005988	23APR2014	NK	RH	



- ALL MATERIALS AND FINISHES SHALL COMPLY WITH EU DIRECTIVE 2002/95/EC OF 27JAN2003 (ROHS).
- G CONTACT OPTION CAN BE USED FOR SIGNAL OR POWER LEVEL SWITCHING. IF SWITCH IS USED AT LEVELS EXCEEDING .4VA @ 20V AC/DC, SWITCH IS RENDERED FOR POWER SWITCHING ONLY DUE TO ARC REMOVAL OF GOLD PLATING. RATING MARKED ON THE SWITCH IS 2A 250VAC, 5A 120VAC.
- TE CONNECTIVITY LOGO PER PER TEC-202-36.
- SP3T FUNCTION ACHIEVED WITH FUNCTIONS 11, 13, & 15 BY CUSTOMER APPLIED JUMPER BETWEEN TERMINALS 3 & 5.
- DATE CODE AND COUNTRY OF ORIGIN MAY APPEAR ON EITHER SIDE OF SWITCH.
- PANEL MOUNT BRACKET SUPPLIED WITH TERMINALS W, Z AND Z3 ONLY.
- ALL LOGO, RATING, DATE CODE, AND FUNCTION MARKINGS TO BE LASER MARKED.

FUNCTION CHART

FUNCTION			
01	ON	NONE	ON
03	ON	OFF	ON
05	(ON)	OFF	(ON)
07	ON	OFF	(ON)
08	ON	NONE	(ON)
TERMINALS CONNECTED	2-3, 5-6	---	1-2, 4-5
11	ON	ON	ON
13	ON	ON	(ON)
15	(ON)	ON	(ON)
TERMINALS CONNECTED	2-3, 5-6	2-3, 4-5	1-2, 4-5
SP3T SCHEMATIC (11, 13 & 15 ONLY) NOTE 5			
	IN 2, OUT 6	IN 2, OUT 4	IN 2, OUT 1

NONE: NO MECHANICAL POSITION
 OFF: MECHANICAL POSITION WITH NO ELECTRICAL CONNECTION
 (ON): MOMENTARY ACTION

SPECIFICATIONS

RATING, B CONTACTS	.4VA MAX @20V MAX. AC OR DC
RATING, G CONTACTS--SEE NOTE 2	.4VA MAX @20V MAX. AC OR DC OR 5A @120 VAC OR 28 VDC (RESISTIVE)
	2A @250 VAC (RESISTIVE)
RATING, Q CONTACTS	5A @120 VAC OR 28 VDC (RESISTIVE)
	2A @250 VAC (RESISTIVE)
ELECTRICAL LIFE	6,000 CYCLES AT RATED LOAD
CONTACT RESISTANCE	10 MILLIOHMS MAX INITIAL @ 2-4VDC, 100MA
INSULATION RESISTANCE	1,000 MEGOHMS MIN
DIELECTRIC WITHSTANDING VOLTAGE	1,000 V RMS AT SEA LEVEL
OPERATING TEMPRATURE	-30C TO 85C

PART NUMBER SEQUENCE

MODEL	FUNCTION	ACTUATOR	TERMINAL	CONTACT	ACTUATOR COLOR	FRAME COLOR	ROHS
A2							04
	01	J1	A	B	0 BLACK (STD)	0 BLACK (STD)	
	03	J3	AV2	G	1 BROWN	1 BROWN	
	05	J50	C	Q	2 RED	2 RED	
	07	J51	V3		3 ORANGE	3 ORANGE	
	08	J52	V4		4 YELLOW	4 YELLOW	
	11	J2	V7		5 GREEN	5 GREEN	
	13	J4	W		6 BLUE	6 BLUE	
	15	J60	W4		8 GRAY	8 GRAY	
		J61	Z		9 WHITE	9 WHITE	
		J62	Z3				

THIS DRAWING IS A CONTROLLED DOCUMENT.

DWN	M.BINNER	06JAN05
CHK	M.ZITTO	06JAN05
APVD	M.ZITTO	06JAN05
PRODUCT SPEC		
APPLICATION SPEC		
WEIGHT	-	
CUSTOMER DRAWING		

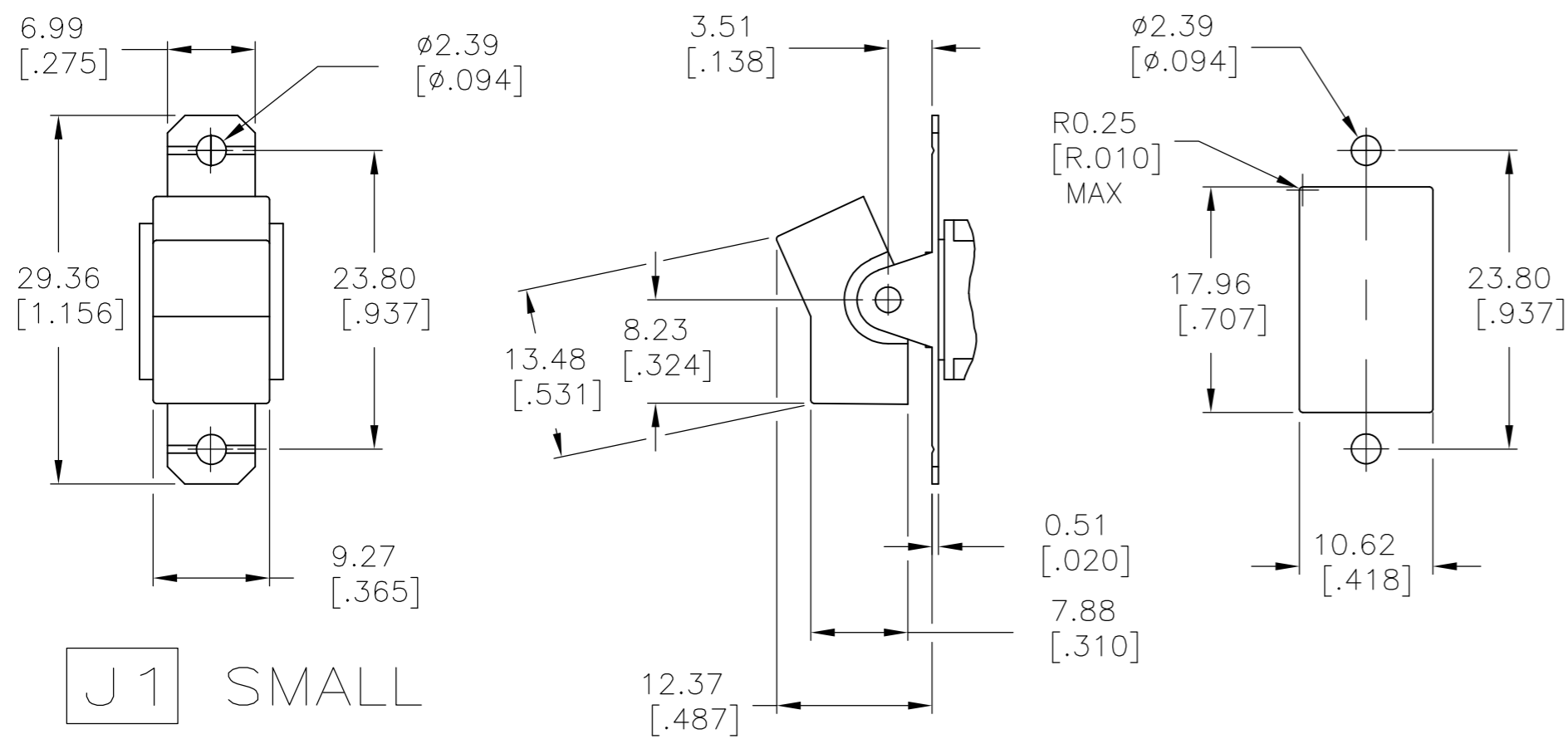
TE Connectivity

GEMINI A SERIES ROCKER SWITCH DOUBLE POLE

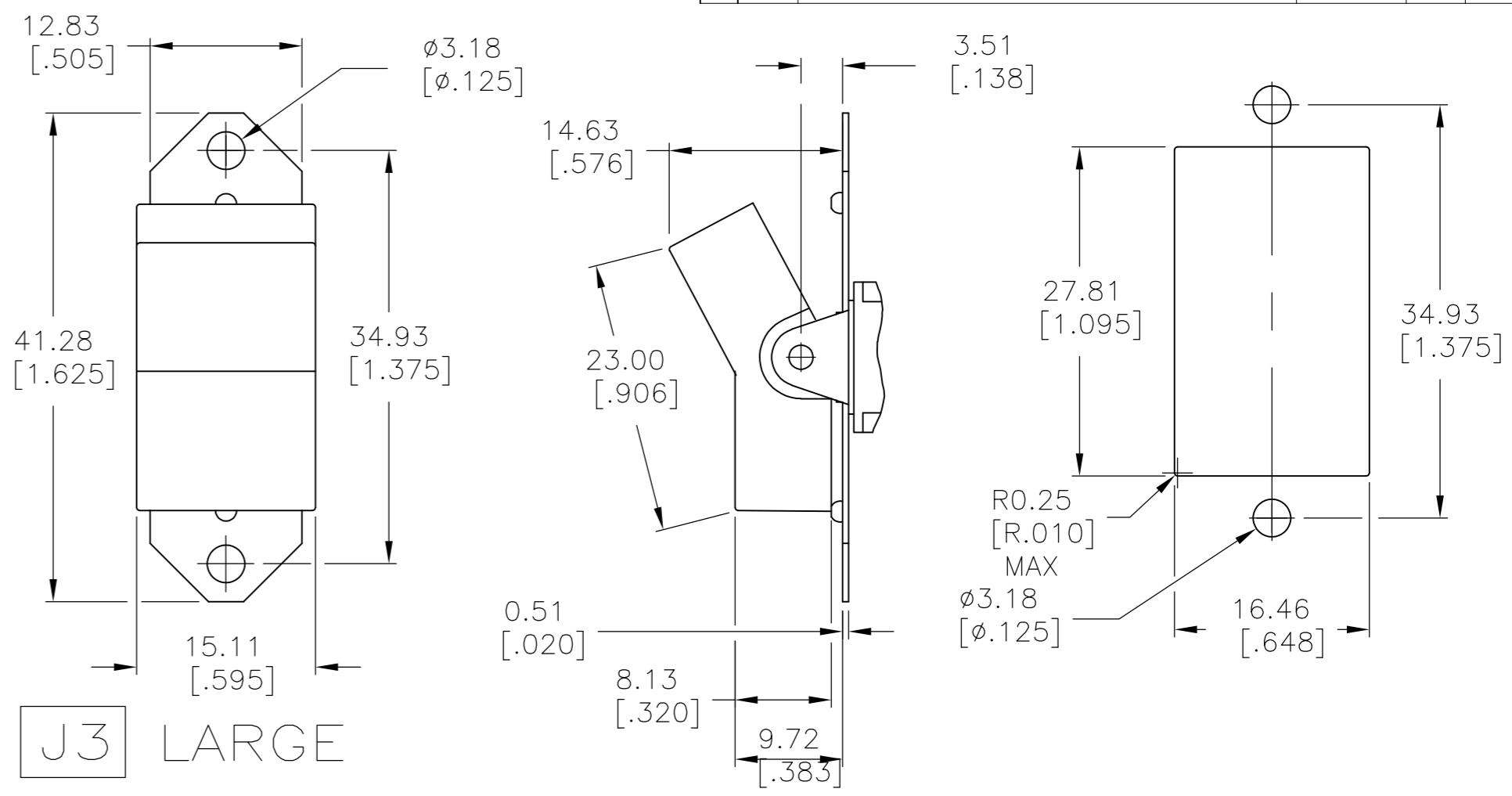
SCALE 2:1 SHEET 1 OF 5 REV A7

THIS DRAWING IS UNPUBLISHED. RELEASED FOR PUBLICATION
 © COPYRIGHT - By - ALL RIGHTS RESERVED.

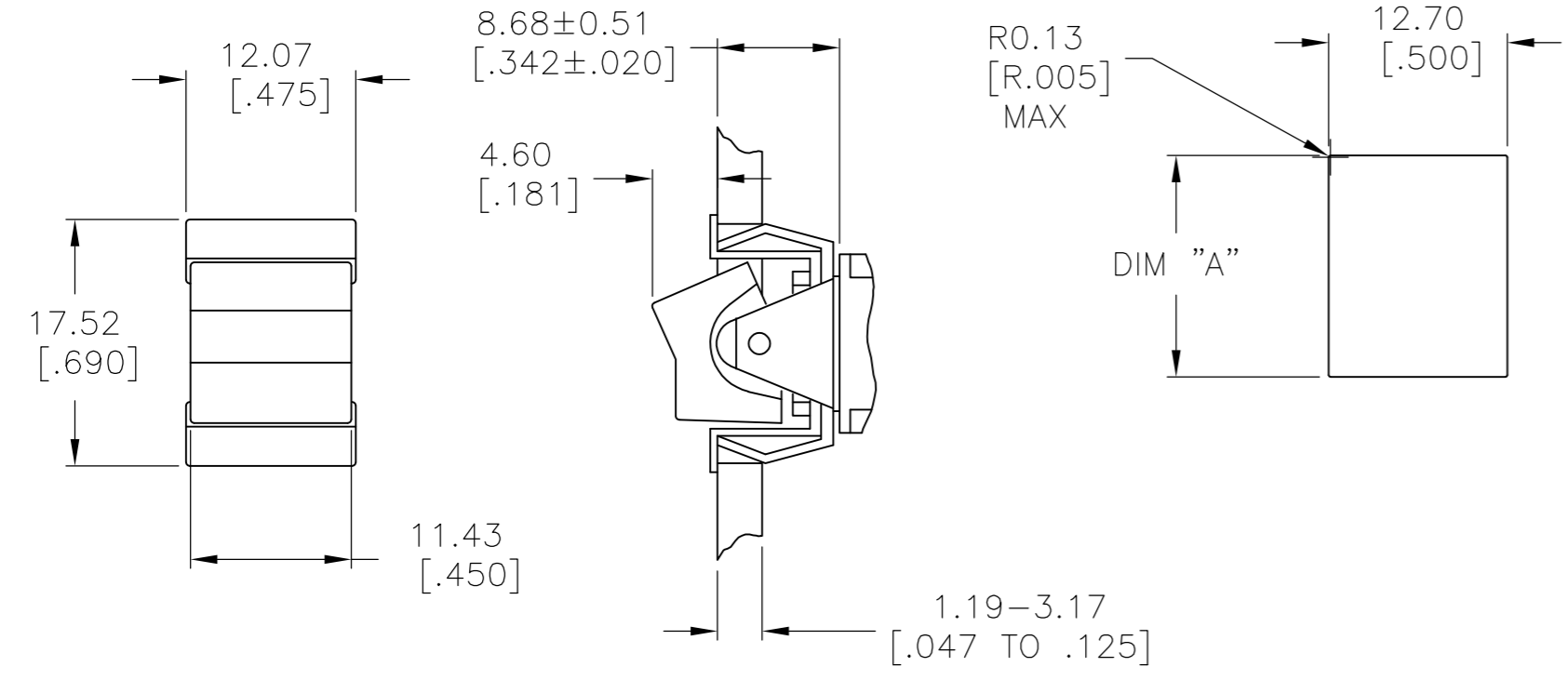
LOC		DIST		REVISIONS			
P	LTR	DESCRIPTION	DATE	DWN	APVD		
-	-	SEE SHEET 1	-	-	-	-	-



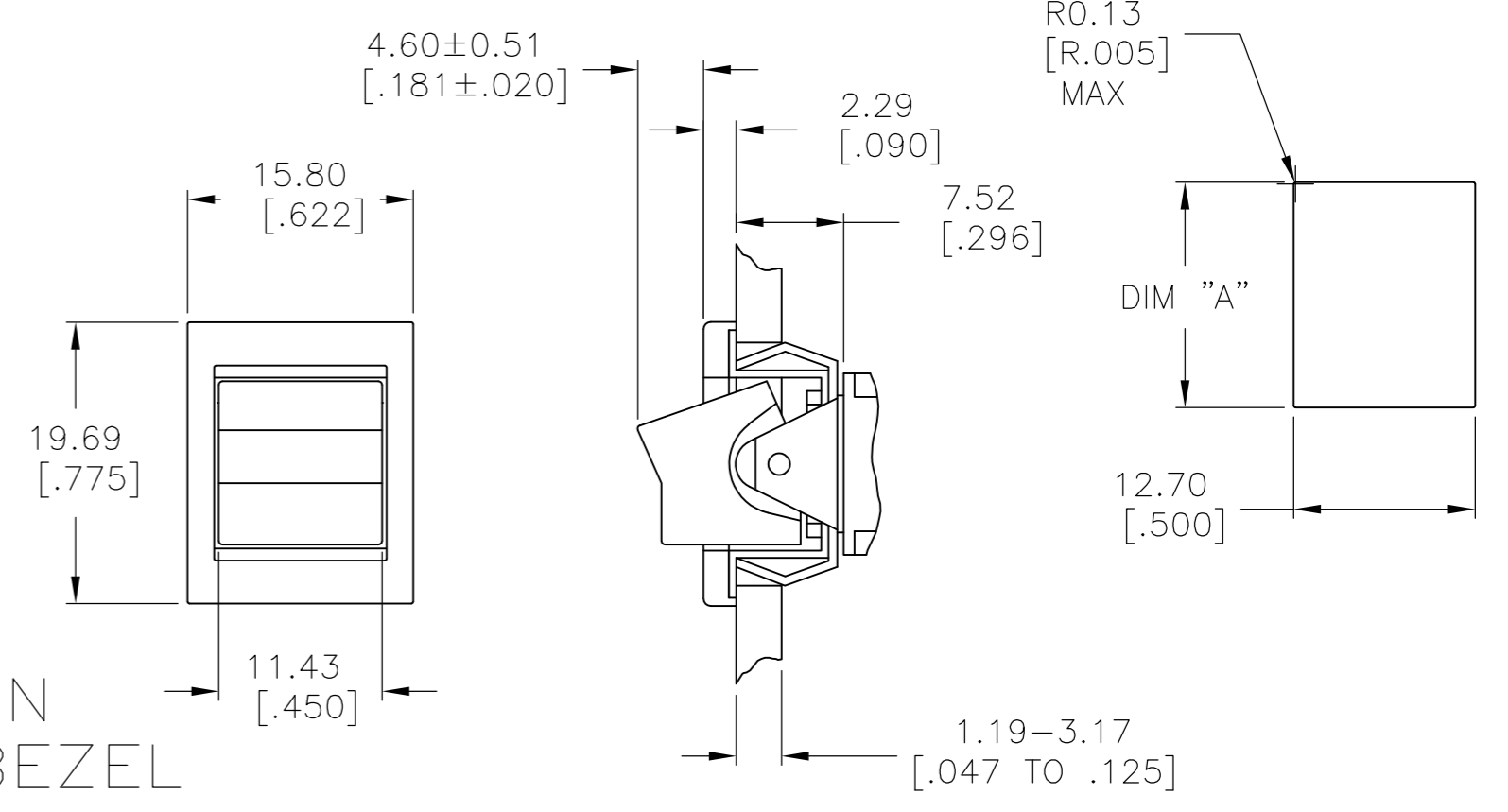
J1 SMALL



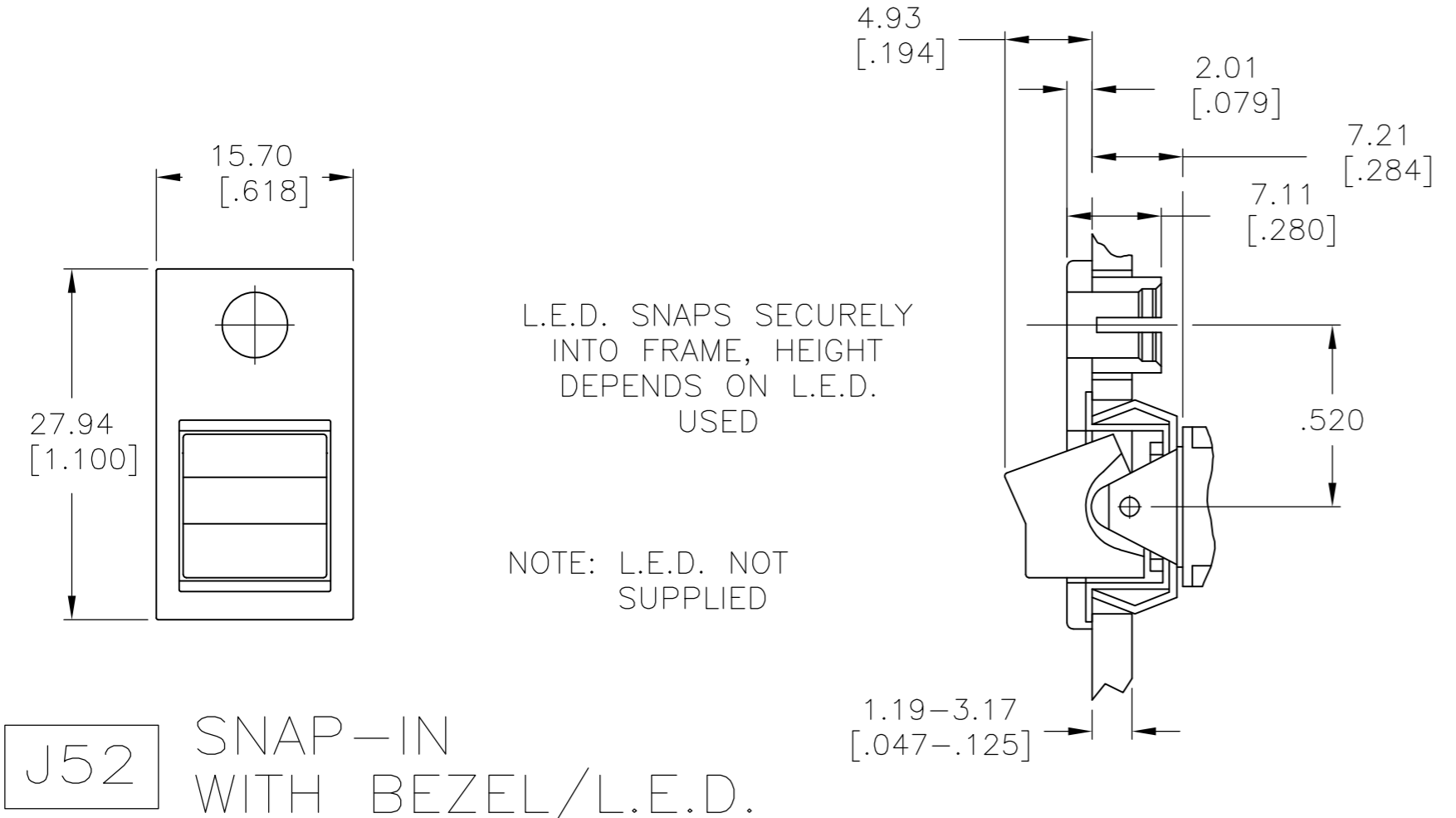
J3 LARGE



J50 SNAP-IN



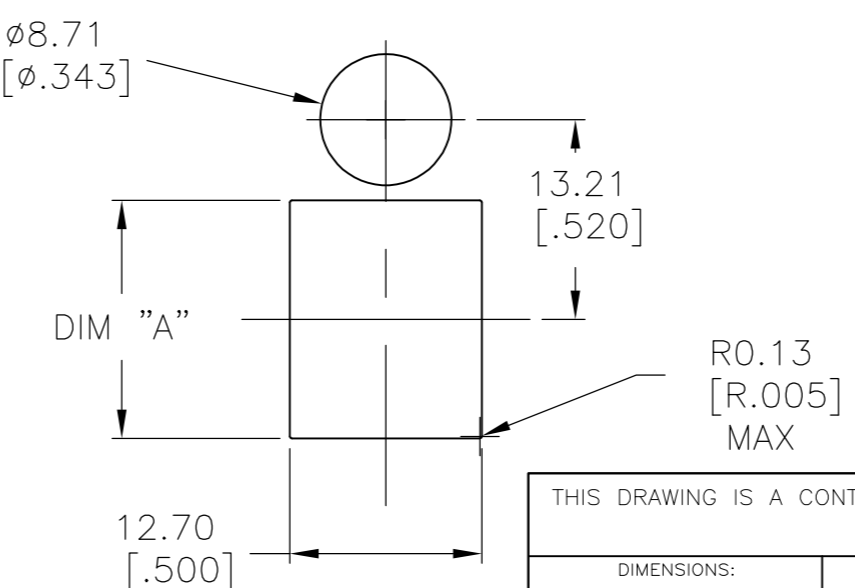
J51 SNAP-IN WITH BEZEL



J52 SNAP-IN WITH BEZEL/L.E.D.

L.E.D. SNAPS SECURELY INTO FRAME, HEIGHT DEPENDS ON L.E.D. USED

NOTE: L.E.D. NOT SUPPLIED

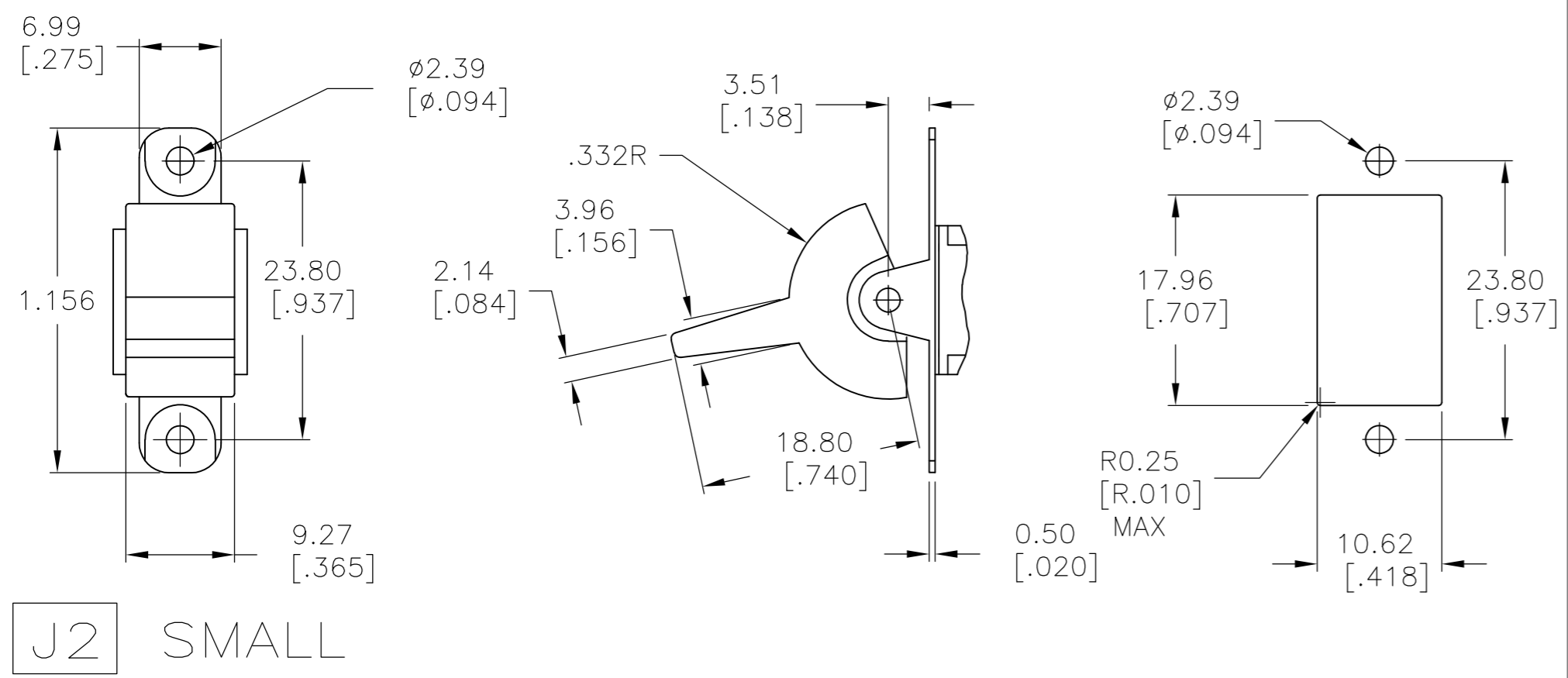


1.52-3.17 [.060-.125]	15.75-15.87 [.620-.625]
1.19-1.50 [.047-.059]	15.72 [.619]
PANEL THICKNESS	DIM "A"

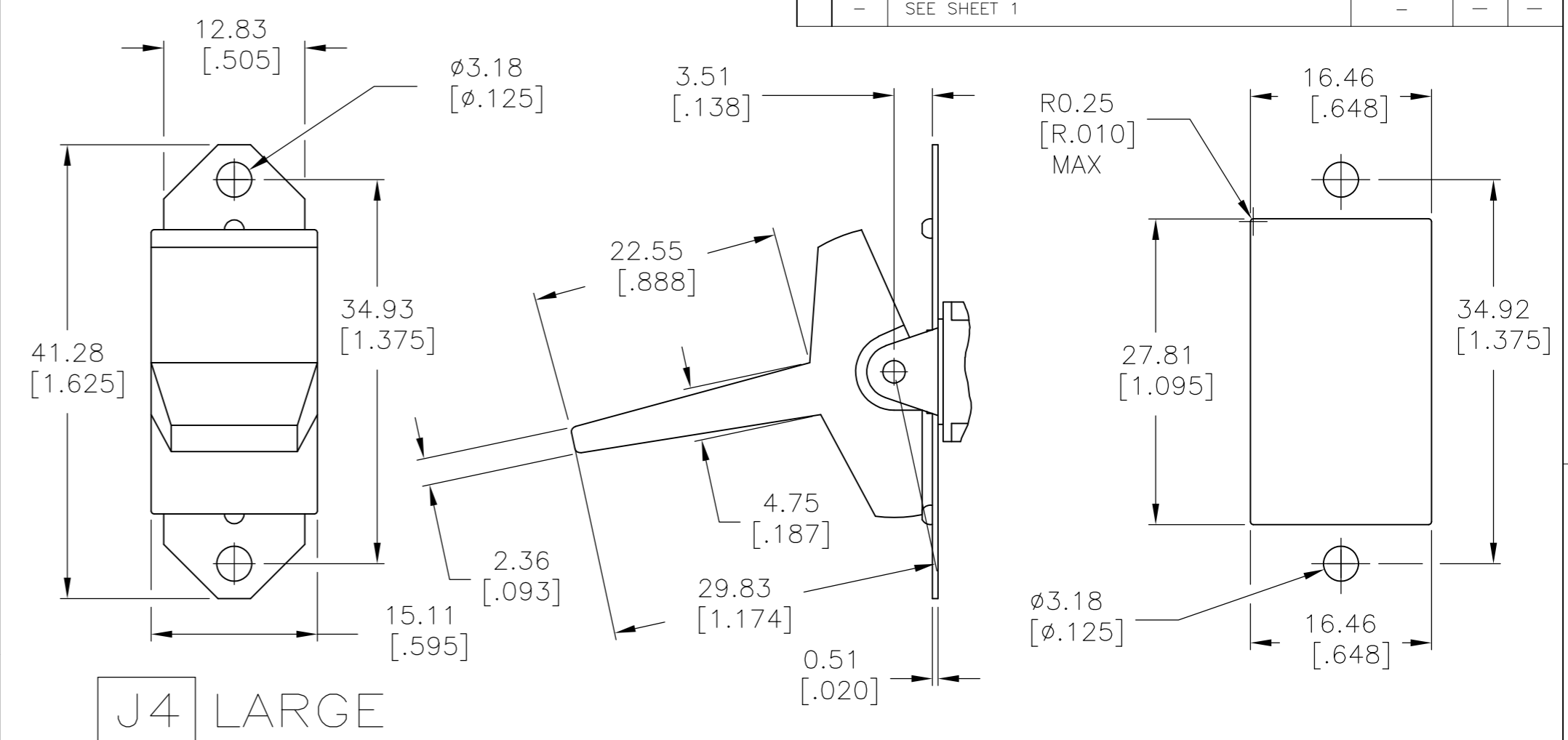
THIS DRAWING IS A CONTROLLED DOCUMENT.		DWN	M.BINNER	06JAN05		TE Connectivity			
DIMENSIONS: mm [INCHES]		CHK	M.ZITTO	06JAN05		NAME			
TOLERANCES UNLESS OTHERWISE SPECIFIED:		APVD	M.ZITTO	06JAN05		GEMINI A SERIES ROCKER SWITCH DOUBLE POLE			
0 PLC ± -		PRODUCT SPEC	APPLICATION SPEC			SIZE	CAGE CODE	DRAWING NO	RESTRICTED TO
1 PLC ± -		MATERIAL		WEIGHT		A2	00779	C=1571987	-
2 PLC ± -		FINISH		CUSTOMER DRAWING		SCALE	SHEET	REV	
3 PLC ± .010						2:1	2 of 5	A7	
4 PLC ± -									
ANGLES ± 4°									

THIS DRAWING IS UNPUBLISHED. RELEASED FOR PUBLICATION
 © COPYRIGHT - By - ALL RIGHTS RESERVED.

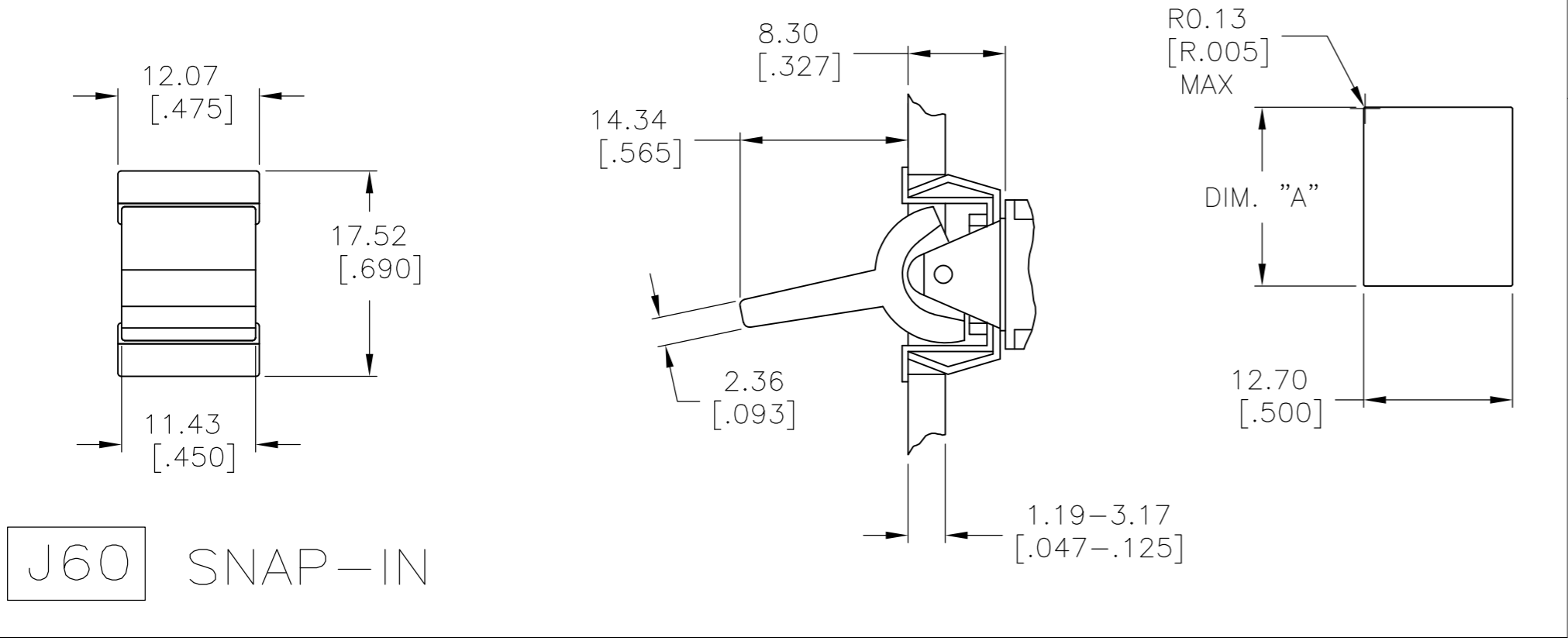
LOC		DIST		REVISIONS			
P	LTR	DESCRIPTION	DATE	DWN	APVD		
AD	00	SEE SHEET 1	-	-	-	-	-



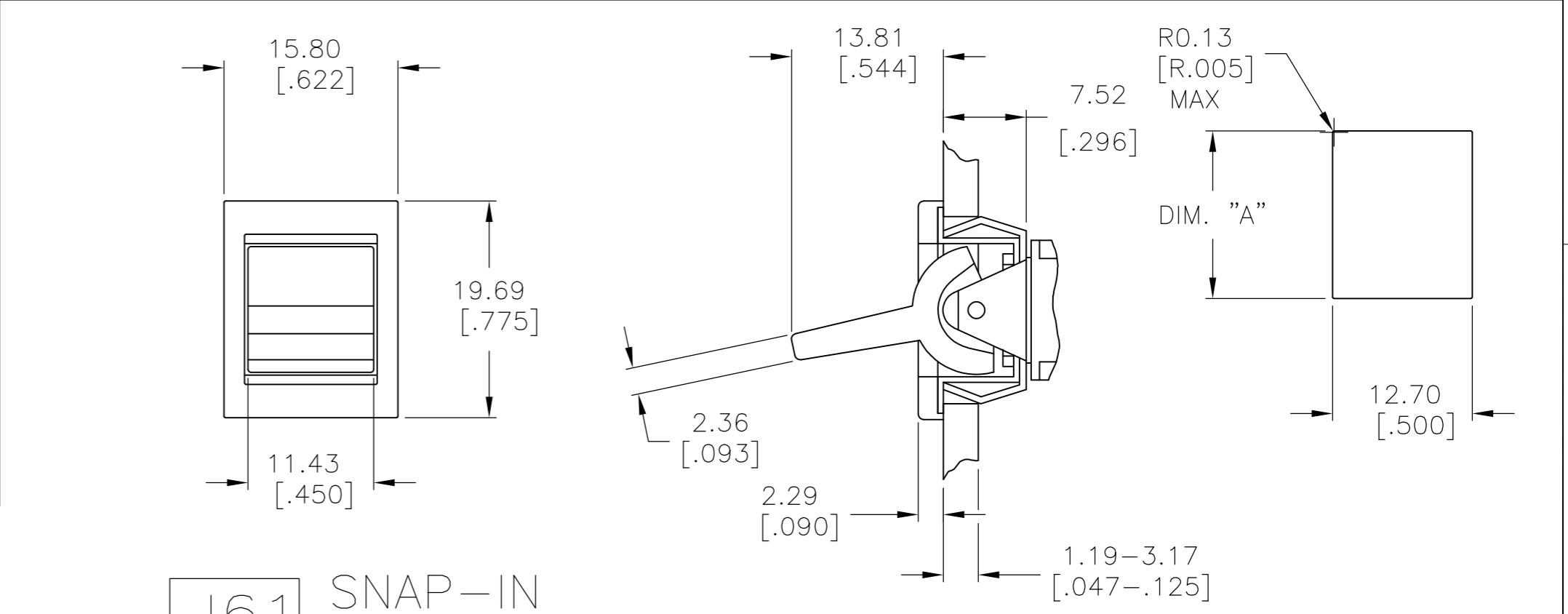
J2 SMALL



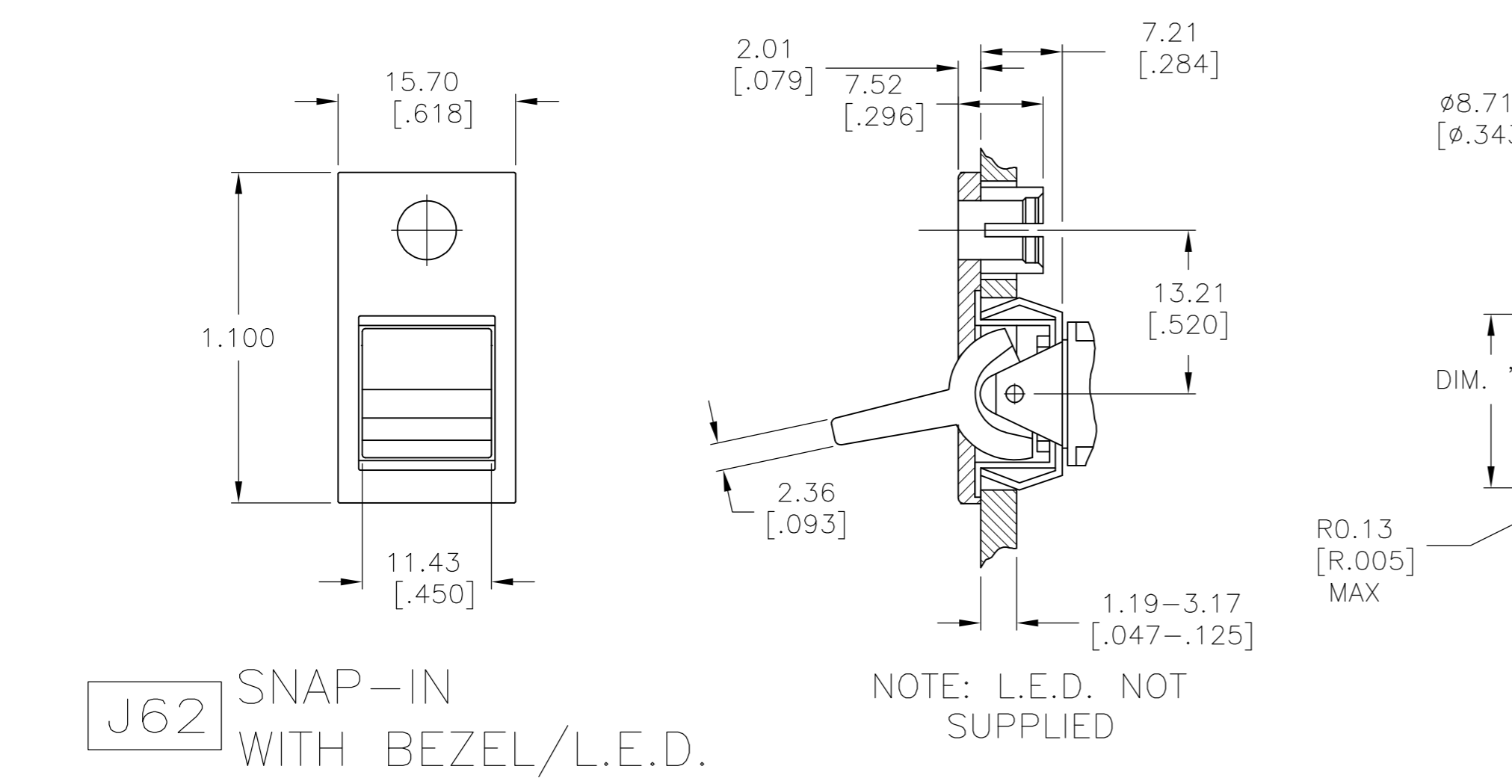
J4 LARGE



J60 SNAP-IN



J61 SNAP-IN WITH BEZEL



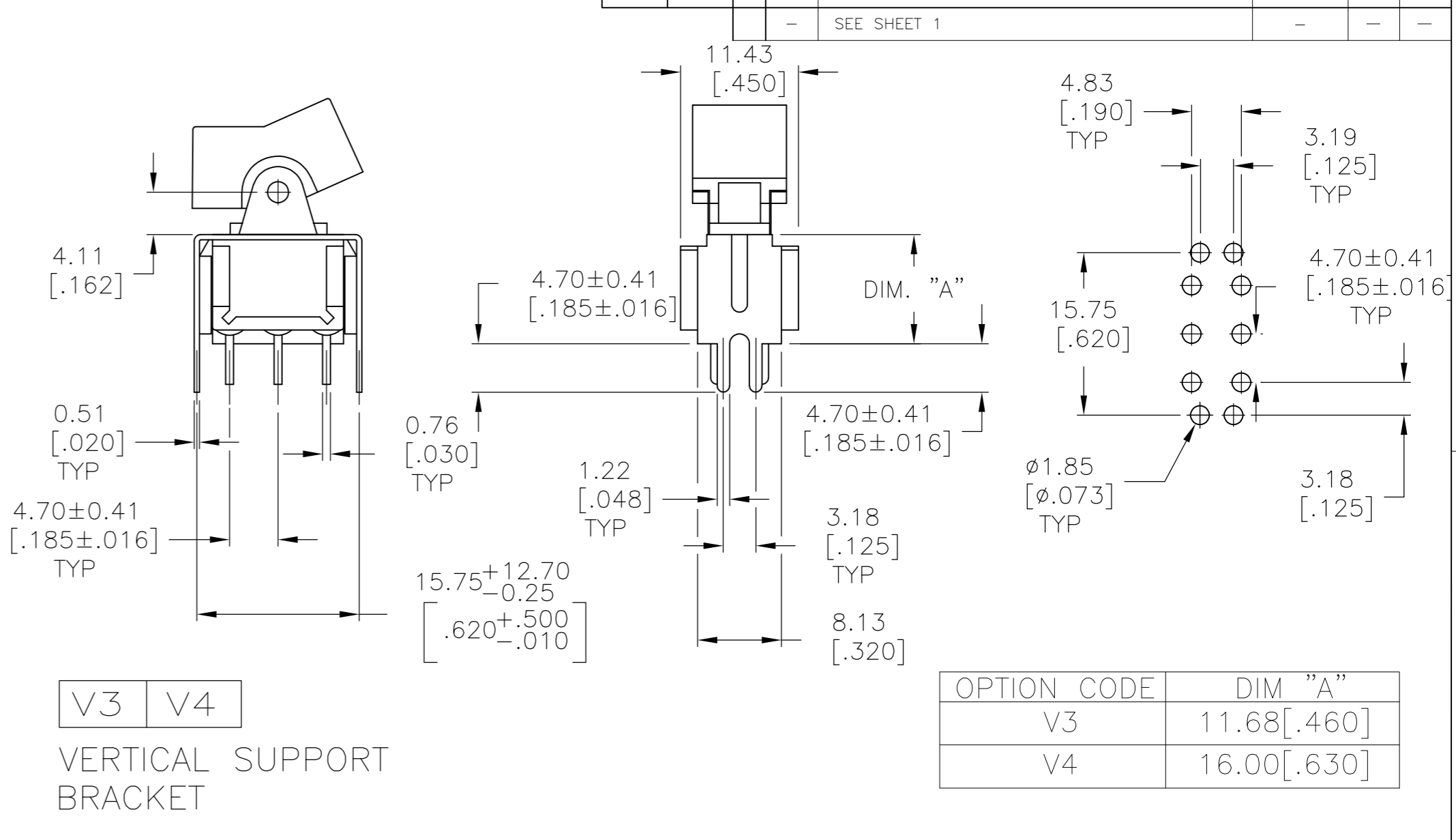
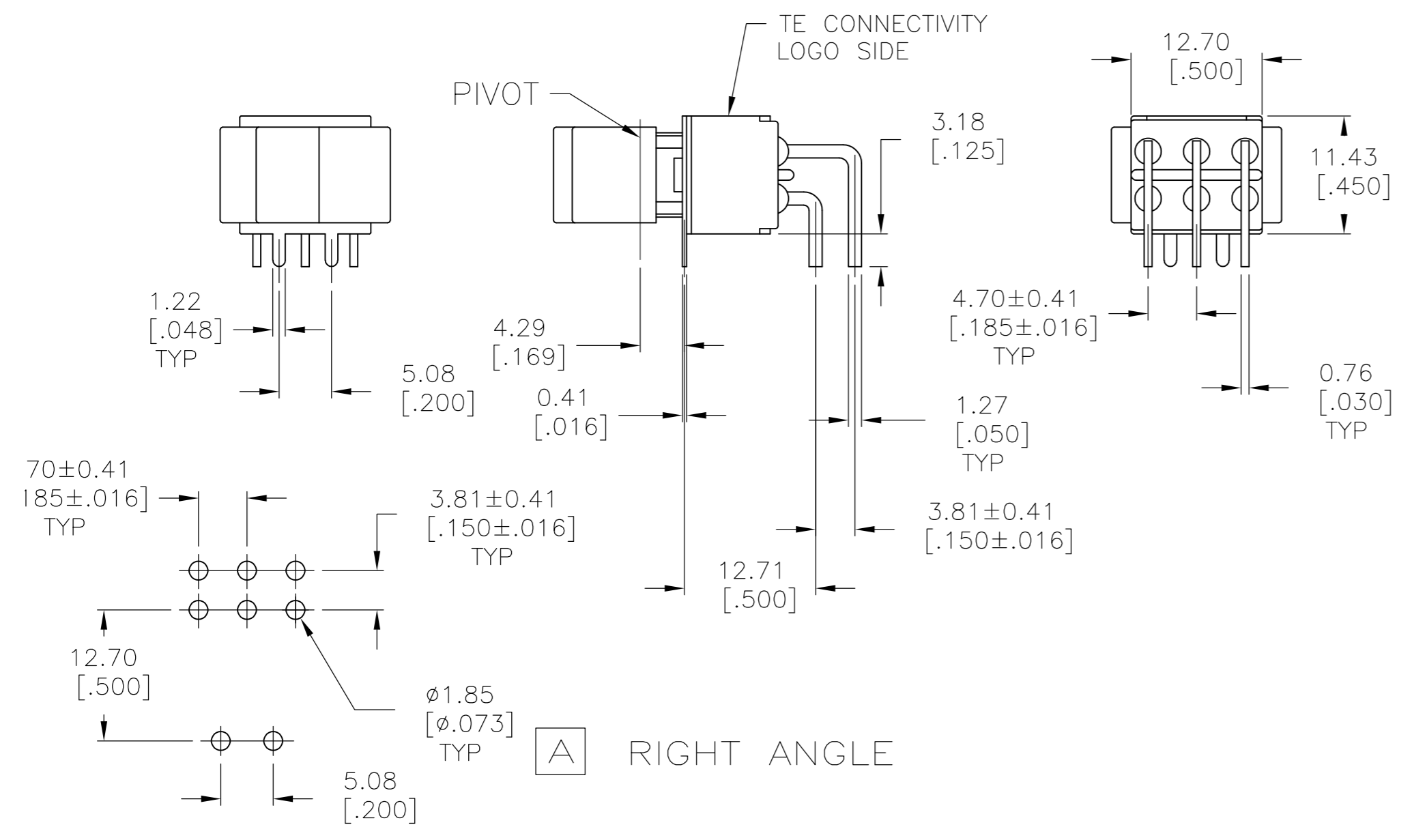
J62 SNAP-IN WITH BEZEL/L.E.D.

1.52-3.17 [0.060-0.125]	15.75-15.87 [0.620-0.625]
1.19-1.50 [0.047-0.059]	15.72 [0.619]
PANEL THICKNESS	
DIM "A"	

THIS DRAWING IS A CONTROLLED DOCUMENT.		DWN	M.BINNER	06JAN05		TE Connectivity	
DIMENSIONS: mm [INCHES]		CHK	M.ZITTO	06JAN05		NAME	
TOLERANCES UNLESS OTHERWISE SPECIFIED:		APVD	M.ZITTO	06JAN05	GEMINI A SERIES ROCKER SWITCH		
0 PLC	± -	PRODUCT SPEC	-			DOUBLE POLE	
1 PLC	± -	APPLICATION SPEC	-			SIZE	A2
2 PLC	± -	WEIGHT	-			CAGE CODE	00779
3 PLC	± .010	CUSTOMER DRAWING	-			DRAWING NO	C=1571987
4 PLC	± -	SCALE	2:1			SHEET	3 OF 5
ANGLES	± 4°	REVISIONS	-			REV	A7
FINISH	-		-				

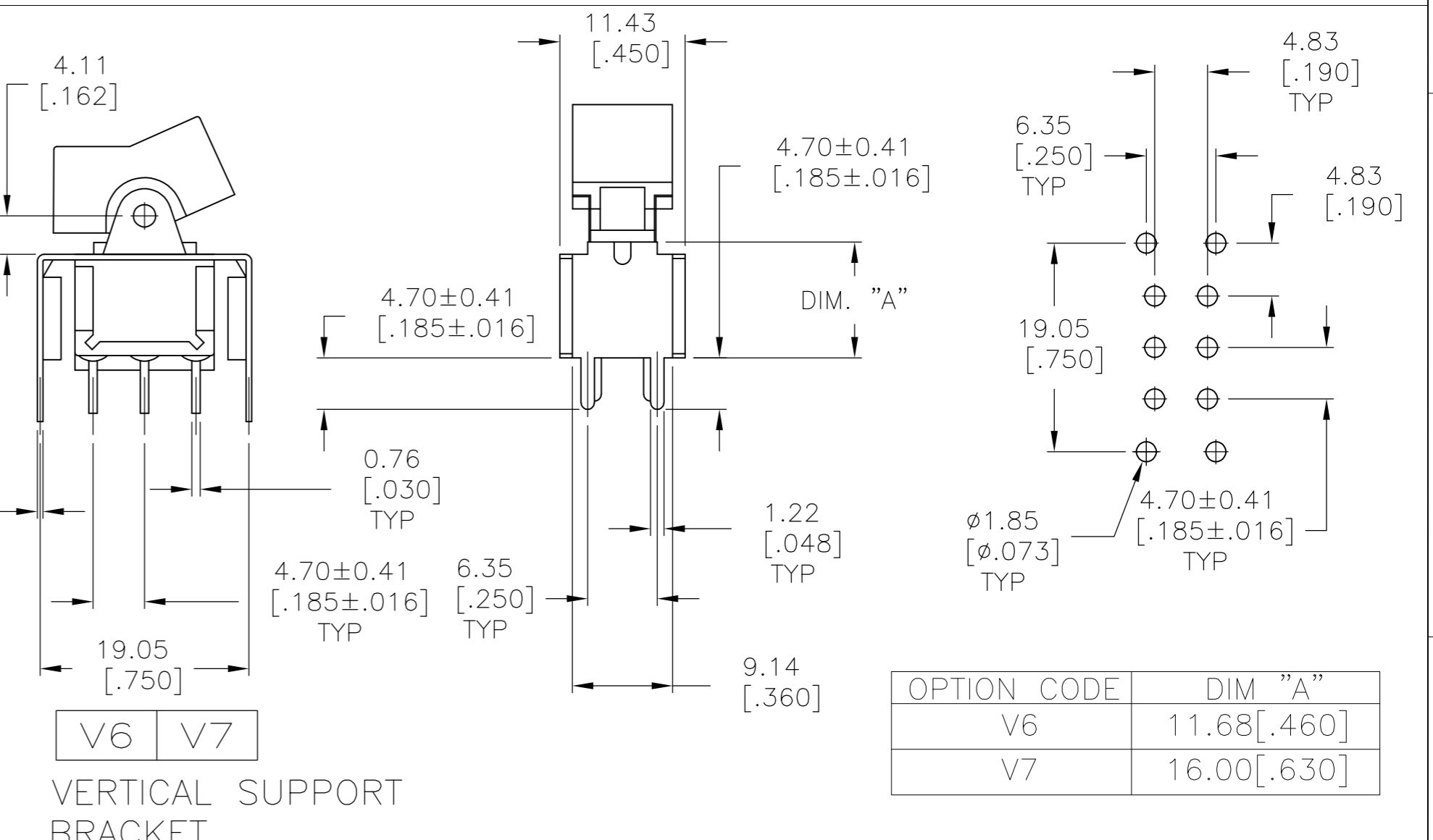
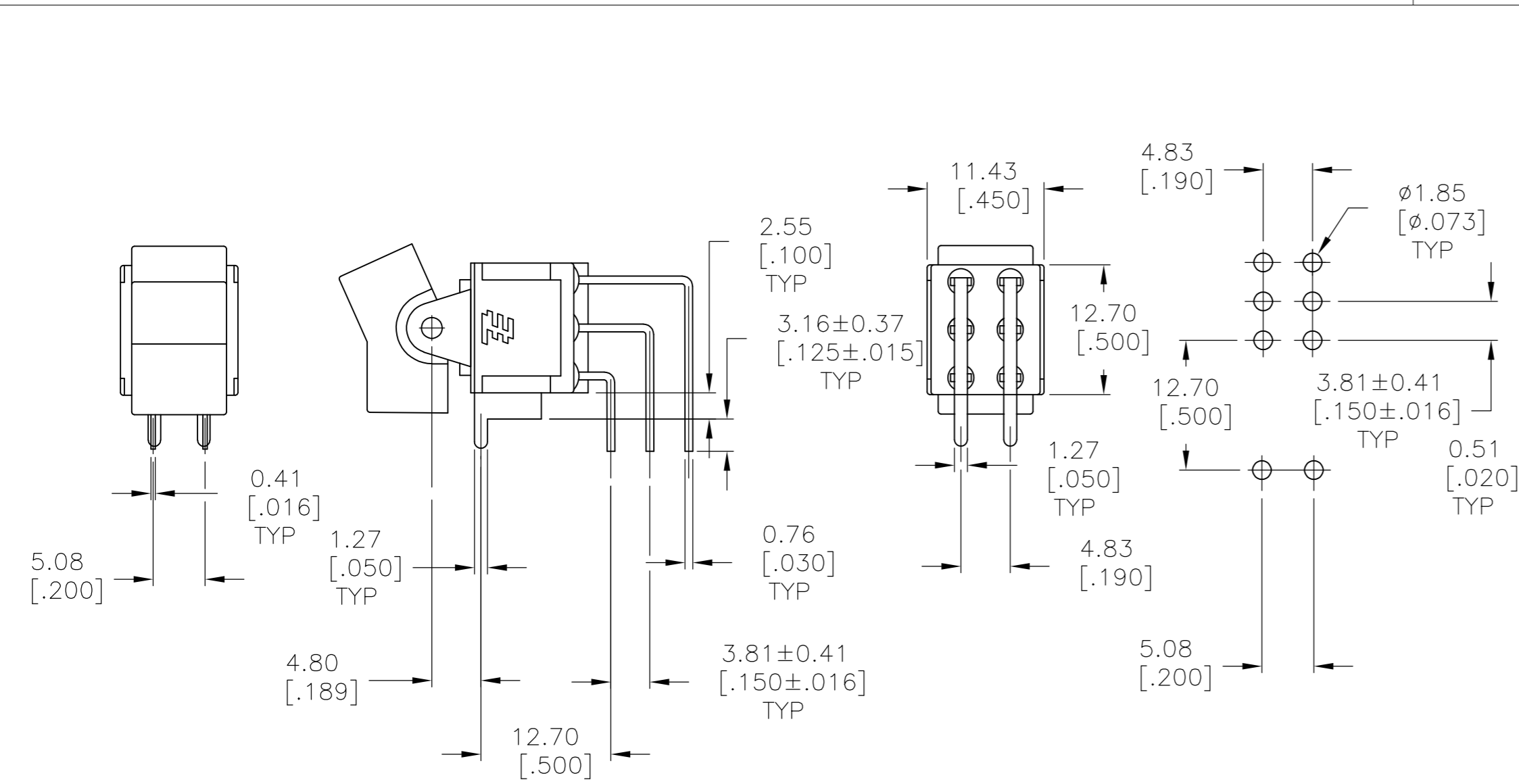
THIS DRAWING IS UNPUBLISHED. RELEASED FOR PUBLICATION
 © COPYRIGHT - By - ALL RIGHTS RESERVED.

LOC		DIST		REVISIONS			
P	LTR	DESCRIPTION	DATE	DWN	APVD		
AD	00	SEE SHEET 1	-	-	-		



OPTION CODE	DIM "A"
V3	11.68[.460]
V4	16.00[.630]

OPTION CODE	DIM "A"
V6	11.68[.460]
V7	16.00[.630]

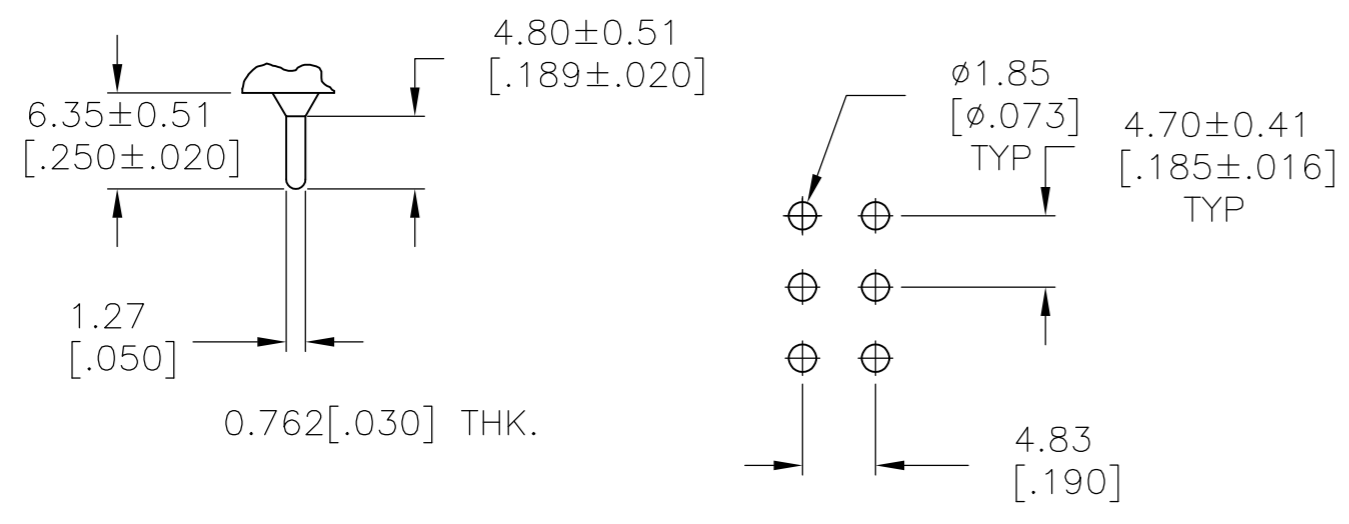


AV2 VERTICAL RIGHT ANGLE

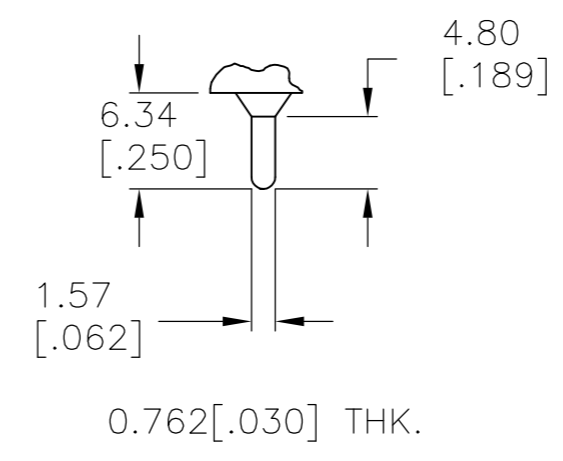
THIS DRAWING IS A CONTROLLED DOCUMENT.		DWN	M.BINNER	06JAN05		TE Connectivity			
DIMENSIONS: mm [INCHES]		CHK	M.ZITTO	06JAN05		NAME			
TOLERANCES UNLESS OTHERWISE SPECIFIED:		APVD	M.ZITTO	06JAN05		GEMINI A SERIES ROCKER SWITCH DOUBLE POLE			
0 PLC ± -		PRODUCT SPEC	APPLICATION SPEC			SIZE	CAGE CODE	DRAWING NO	RESTRICTED TO
1 PLC ± -		MATERIAL			WEIGHT	A2	00779	C=1571987	-
2 PLC ± -		FINISH			CUSTOMER DRAWING	SCALE	2:1	SHEET	4 OF 5
3 PLC ± .010								REV	A7
4 PLC ± -									
ANGLES ± 4°									

THIS DRAWING IS UNPUBLISHED. RELEASED FOR PUBLICATION
 © COPYRIGHT - By - ALL RIGHTS RESERVED.

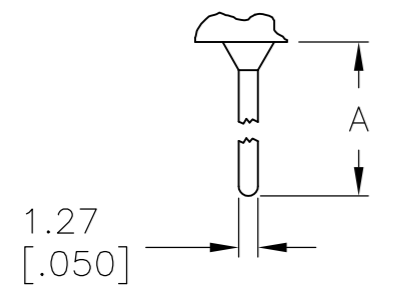
LOC		DIST		REVISIONS			
P	LTR	DESCRIPTION	DATE	DWN	APVD		
-	-	SEE SHEET 1	-	-	-		



C PRINTED CIRCUIT



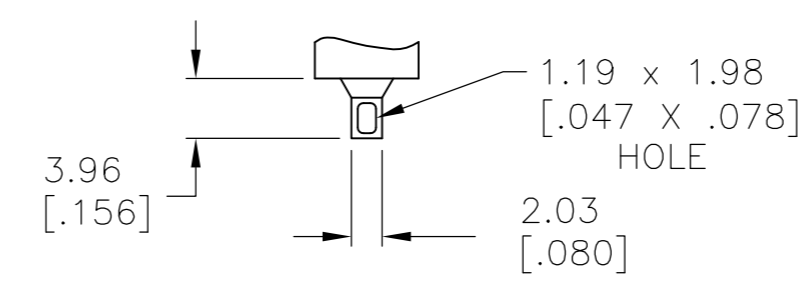
Z3 QUICK CONNECT



OPTION	DIM A
W	18.69[.736]
W4	26.97[1.062]

0.762[.030] THK.

W **W4** WIRE WRAP



Z WIRE LUG

A213J61ZQ0004	4-1571987-4
A211J51ZQ0004	4-1571987-3
A208J61ZQ0004	4-1571987-2
A208J51ZQ0004	4-1571987-1
A208J1V3Q0004	4-1571987-0
NOT ASSIGNED	3-1571987-9
A207J61ZQ0004	3-1571987-8
A207J51ZQ0004	3-1571987-7
A207J3ZQ0004	3-1571987-6
A207J1ZQ0004	3-1571987-5
A205J61ZQ0004	3-1571987-4
A205J51ZQ0004	3-1571987-3
A205J2ZQ0004	3-1571987-2
A205J2CQ0004	3-1571987-1
A205J1ZQ0004	3-1571987-0
A205J1AV2Q0004	2-1571987-9
NOT ASSIGNED	2-1571987-8
A203J61ZQ0004	2-1571987-7
A203J51ZQ0004	2-1571987-6
NOT ASSIGNED	2-1571987-5
A203J1ZQ0004	2-1571987-4
NOT ASSIGNED	2-1571987-3
A203J1CQ204	2-1571987-2
A203J1AV2Q004	2-1571987-1
A203J1AQ004	2-1571987-0
A201J61ZQ0004	1-1571987-9
A201J61Z3Q0004	1-1571987-8
A201J51ZQ9904	1-1571987-7
NOT ASSIGNED	1-1571987-6
A201J51ZQ0004	1-1571987-5
A201J50ZQ004	1-1571987-4
A201J50AV2Q804	1-1571987-3
A201J50AV2Q004	1-1571987-2
A201J3ZQ004	1-1571987-1
A201J3ZB004	1-1571987-0
A201J2ZQ004	1571987-9
A201J2CQ004	1571987-8
A201J1ZQ004	1571987-7
A201J1V3Q004	1571987-6
A201J1CQ004	1571987-5
A201J1AV2Q004	1571987-4
A201J1AQ204	1571987-3
A201J1AQ004	1571987-2
A211J61Z3Q0004	1571987-1
ALCO P/N	P/N

MATERIALS CHART		
COMPONENT NAME	BASE MATERIAL	FINISH
CASE	DAP, RED, UL94 V-0	
FRAME	STAINLESS STEEL	
B TERMINALS & CONTACTS	COPPER	GOLD OVER NICKEL
G TERMINALS & CONTACTS	COPPER	GOLD OVER SILVER
Q TERMINALS & CONTACTS	COPPER	SILVER
ACTUATOR	PHENOLIC, BLACK, UL94 V-1	
ROCKER CAP	NYLON, BLACK, UL94 V-1	
BUSHING & ACTUATOR LEVER	ZINC ALLOY	NICKEL
SPRING	MUSIC WIRE	
SUPPORT BRACKET	BRASS	TIN
PIVOT PIN	STEEL	NICKEL
TERMINAL SEAL	EPOXY, UL94 V-1	

THIS DRAWING IS A CONTROLLED DOCUMENT.

DWN	M.BINNER	06JAN05
CHK	M.ZITTO	06JAN05
APVD	M.ZITTO	06JAN05
PRODUCT SPEC		
APPLICATION SPEC		
WEIGHT	-	
CUSTOMER DRAWING		

TE TE Connectivity

GEMINI A SERIES ROCKER SWITCH
DOUBLE POLE

SIZE	A2	CAGE CODE	00779	DRAWING NO	1571987	RESTRICTED TO	-
SCALE	2:1	SHEET	5 OF 5	REV	A7		



Компания «ЭлектроПласт» предлагает заключение долгосрочных отношений при поставках импортных электронных компонентов на взаимовыгодных условиях!

Наши преимущества:

- Оперативные поставки широкого спектра электронных компонентов отечественного и импортного производства напрямую от производителей и с крупнейших мировых складов;
- Поставка более 17-ти миллионов наименований электронных компонентов;
- Поставка сложных, дефицитных, либо снятых с производства позиций;
- Оперативные сроки поставки под заказ (от 5 рабочих дней);
- Экспресс доставка в любую точку России;
- Техническая поддержка проекта, помощь в подборе аналогов, поставка прототипов;
- Система менеджмента качества сертифицирована по Международному стандарту ISO 9001;
- Лицензия ФСБ на осуществление работ с использованием сведений, составляющих государственную тайну;
- Поставка специализированных компонентов (Xilinx, Altera, Analog Devices, Intersil, Interpoint, Microsemi, Aeroflex, Peregrine, Syfer, Eurofarad, Texas Instrument, Miteq, Cobham, E2V, MA-COM, Hittite, Mini-Circuits, General Dynamics и др.);

Помимо этого, одним из направлений компании «ЭлектроПласт» является направление «Источники питания». Мы предлагаем Вам помощь Конструкторского отдела:

- Подбор оптимального решения, техническое обоснование при выборе компонента;
- Подбор аналогов;
- Консультации по применению компонента;
- Поставка образцов и прототипов;
- Техническая поддержка проекта;
- Защита от снятия компонента с производства.



Как с нами связаться

Телефон: 8 (812) 309 58 32 (многоканальный)

Факс: 8 (812) 320-02-42

Электронная почта: org@eplast1.ru

Адрес: 198099, г. Санкт-Петербург, ул. Калинина, дом 2, корпус 4, литера А.