



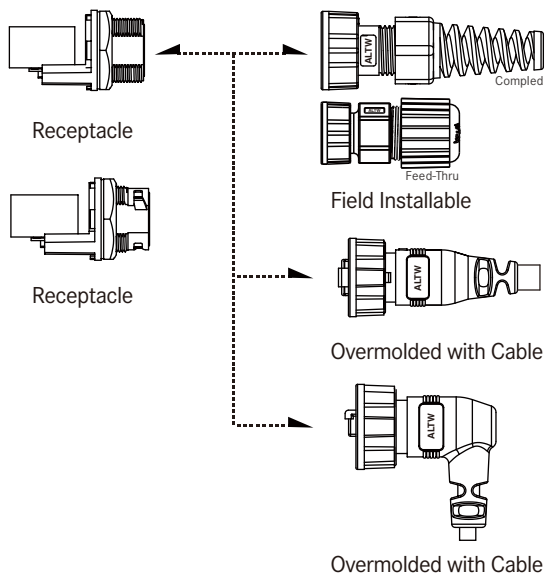
## CATALOGUE

# RJ Connector

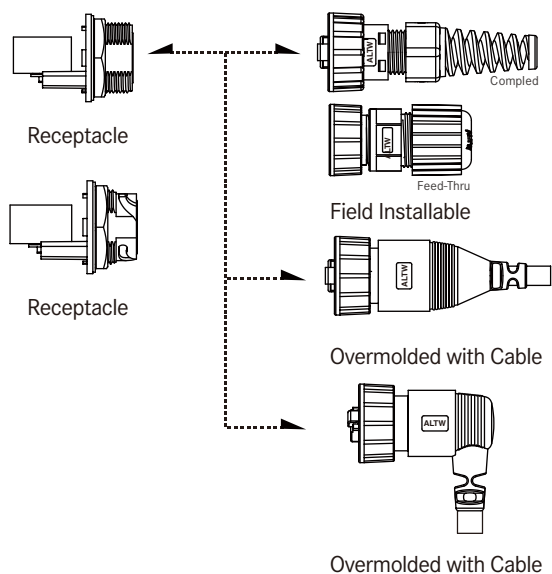


## Range Overview

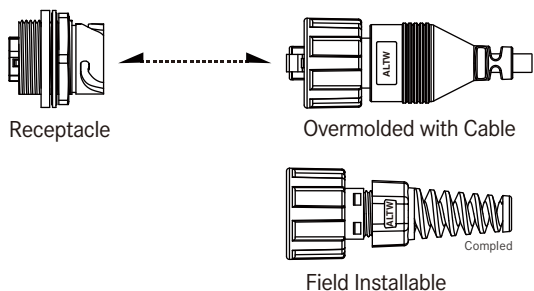
### Receptacle and Mating Pair (Middle Size 13/16"-28UNS)



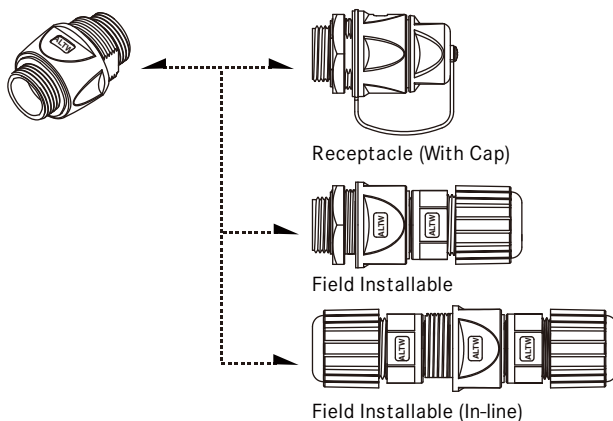
### Receptacle and Mating Pair (Large Size 1"20-UNEF)



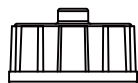
### Receptacle and Mating Pair (ODVA)



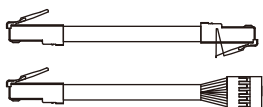
### I Adaptor



### Accessories



Waterproof Cap  
See page 21-17



Patch Cable (Double-ended)  
See page 21-24

\* Design and specification are subject to change without notice.

## Specification

<b>Identifications</b>	Middle Size: 13/16"-28 UNS (Cat. 5e) Large Size: 1"-20 UNS (Cat. 5e) ODVA (Cat. 5e)
<b>Description</b>	Receptacle Receptacle With Cable Overmolded with Cable Field Installable
<b>Current Rating / Data</b>	100 Base, 100 Base T and 1000 Base T Networks Cat 5E per TIA or EIA 568B Class D per ISO / IEC 11801
<b>Material</b>	Connector Body: -Housing: Polyester, UL94V-0, UV Resistant -Fastening Nut (Panel Side): Polyester UL94V-0,UV Resistant -Mating Lock Nut: Polyester , UL94V-0,UV Resistant RJ45 Jack and Plug Contacts: Phosphor Bronze, Gold Plated Cable Termination: Flame Protection per UL94V-0,UV Resistant
<b>Waterproof Rating</b>	IP67
<b>Temperature Range</b>	Receptacle: -40 °C~105 °C Overmolded with Cable: -20 °C~80 °C
<b>Contact Resistance</b>	≤ 20mΩ
<b>Insulation Resistance</b>	≥ 500mΩ at DC500V
<b>Durability</b>	750 cycles
<b>Breakdown Voltage</b>	≥ AC1000V / 1 minute
<b>More to know</b>	Thermal shock: -20°C~80°C 5cycls Salt Spray Corrosion: 48H POE: 60W /2A Standard Cable Length: 01-99M

# Ordering Information

	1	2	3	4	5	6	7	8	9	10
<b>Specification</b>										
(RCP) RJ45 C Size (Plastic)										
(RCM) RJ45 C Size (Metal)										
(RDP) RJ45 D Size (Plastic)										
(RDM) RJ45 D Size (Metal)										
(ROP) RJ45 ODVA (Plastic)										
<b>Cat Type &amp; Shielded</b>										
(00) None										
(5S) Cat.5e shielded										
(5U) Cat.5e Unshielded										
<b>Connector Body (Style)</b>										
> For Receptacle										
(P) Front Fastened										
(R) Rear Fastened										
(D) Dual Fastened										
> For Overmolded with Cable										
(A) With Strain Relief										
(B) Without Strain Relief										
> For Field Installable										
(A) With Strain Relief										
(B) Without Strain Relief										
<b>Connector (Housing) Gender</b>										
(MM) Plug										
(FF) Jack										
<b>Assemble Style</b>										
> For Receptacle										
(H) Jack 180 (Horizontal)										
(V) Jack 90 (Vertical)										
> For Overmolded with Cable										
(M) Overmolded with Cable										
> For Field Installable										
(A) Field installable (Compled)										
(S) Field installable (Feed-Thru)										
<b>Mating Style</b>										
(T) 3 Points Lock Bayonet										
(S) Screw Thread										
<b>Backshell</b>										
> For Receptacle										
(C) Circular										
(S) Square										
> For Overmolded with Cable										
(L) Straight										
(R) Right Angle										
> For Field Installable										
(L) Straight										
<b>Waterproof Types</b>										
(U) Unmated Waterproof										
(M) Mated Waterproof										
<b>Waterproof Rating</b>										
(7) IP 67										
*IP 68 upon request.										
<b>More information</b>										
> For Receptacle										
(001), (002).....										
> For Overmolded with Cable										
(□)+(■) : Cable Type + Cable Length										
(□) : Cable Type										
(A) C5e UTP Solid Cable										
(B) C5e FTP Solid Cable										
(■) : Cable Length										
From 1M to 99M										
EX. (01) = 1M										

\* Design and specification are subject to change without notice.

# Ordering Information | Double-ended

ALTW waterproof connector to ALTW waterproof connector

ALTW waterproof connector to Standard RJ connector (None Waterproof)

f to Waterproof / Non-Waterproof

1 2 3 4 5 6 7 8 9

## Specification (1st End)

(RCP) RJ45 C Size (Plastic)

(RCM) RJ45 C Size (Metal)

(RDP) RJ45 D Size (Plastic)

(RDM) RJ45 D Size (Metal)

(ROP) RJ45 ODVA (Plastic)

## Cat Type & Shielded (1st End)

(5U) Cat.5e Unshielded

(5S) Cat.5e Shielded

## Connector (Housing) Gender (1st End)

(M) Plug

(F) Jack

## Specification (2nd End)

> For Waterproof Connectors

(RCP) RJ45 C Size (Plastic)

(RCM) RJ45 C Size (Metal)

(RDP) RJ45 D Size (Plastic)

(RDM) RJ45 D Size (Metal)

(ROP) RJ45 ODVA (Plastic)

> For Non-Waterproof Plug

(UPG) Unshielded Plug

(SPG) Shielded Plug

## Cat Type & Shielded (2nd End)

> For Waterproof Connectors

(5U) Cat.5e Unshielded

(5S) Cat.5e Unshielded

> For Non-Waterproof Plug

(06) Gold Plating 6u"

## Connector (Housing) Gender (2nd End)

(M) Plug

## Mating Style

(T) 3 Points Lock Bayonet

(S) Screw Thread

## Backshell

> For Overmolded with Cable

(L) Straight

(R) Right Angle

## More information

> For Overmolded with Cable

(□)+(■) : Cable Type + Cable Length

(□) : Cable Type

(■) : Cable Length

(A) C5e UTP Solid Cable

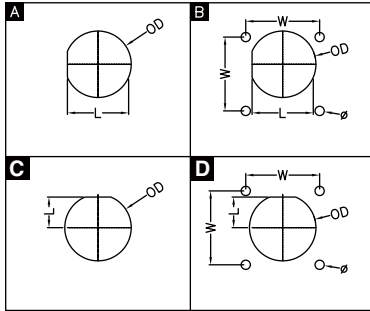
From 1M to 99M

(B) C5e FTP Solid Cable

EX. (01) = 1M

# Physical Dimension

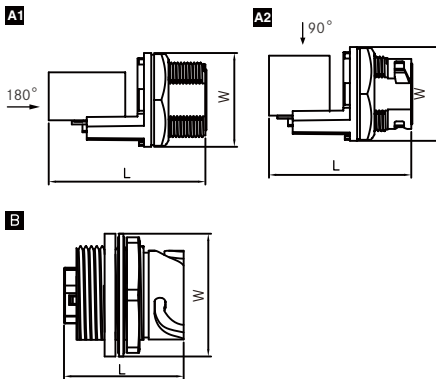
## Receptacle Panel Cut-Out



Type \ Dimension	Type	L / W	OD	∅
Connector Gender (Housing)	Female			
Middle Size (13/16"-28 UNS)	A	19.4	20.8	-
	B	19.4/24.4	20.8	3.1
Large Size (1"20 UNEF)	A	23.6	25.6	-
	B	23.6/24.4	25.6	3.1
ODVA	C	12.4	27.1	-
	D	12.4/25.9	27.1	M3.0*0.5

Dimensions are shown in millimeters

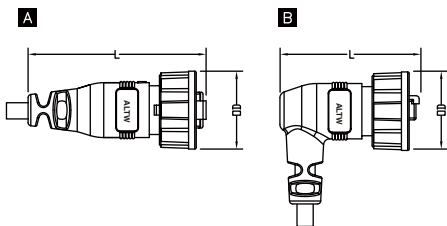
## Connector Dimension



Type \ Dimension	Type	Shape	L	W
Connector Gender (Housing)	Female			
Middle Size (13/16"-28 UNS)	A1	Circle	44.0	26.0
		Square	44.0	32.0
	A2	Circle	39.9	26.0
		Square	39.9	32.0
Large Size (1"20 UNEF)	A1	Circle	44.0	32.0
		Square	44.0	
	A2	Circle	39.9	32.0
		Square	39.9	
ODVA	B	Circle	33.2	34.0
		Square	33.2	36.0

\* Choose backshell: Circular (C) or Square Flange (S) | Dimensions are shown in millimeters

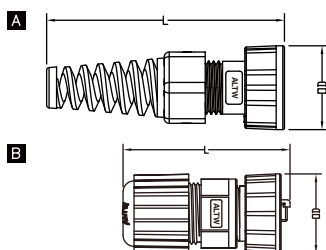
## Overmolded with Cable



Type \ Dimension	Type	L		OD	
Connector Gender (Housing)		Female	Male	Female	Male
Middle Size (13/16"-28 UNS)	A	-	58.0	-	25.4
	B	-	45.0	-	25.4
Large Size (1"20 UNEF)	A	-	73.6	-	28.8
	B	-	53.4	-	28.8
ODVA	A	-	79.3	-	31.5

Dimensions are shown in millimeters

## Field Installable



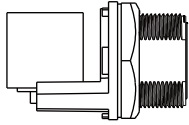
Type \ Dimension	Type	L		OD	
Connector Gender (Housing)		Female	Male	Female	Male
Middle Size (13/16"-28 UNS)	A	-	72.0	-	25.4
	B	-	40.7	-	25.4
Large Size (1"20 UNEF)	A	-	76.7	-	25.4
	B	-	59.7	-	32.0
ODVA	A	-	77.6	-	31.5

Dimensions are shown in millimeters

\* Design and specification are subject to change without notice.

# Product Features

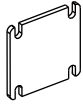
## Receptacle



### Backshell <sup>7</sup>

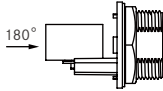


Circular (C)

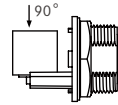


Square (S)

### Assembly Style <sup>5</sup>



Jack 180 (Horizontal) (H)



Jack 90 (Vertical) (V)

### Mating Style <sup>6</sup>

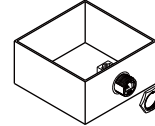


Screw Thread (S)

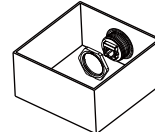


3 Points Lock (T)

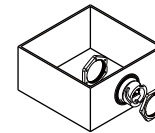
### Connector Body (Style) <sup>3</sup>



Front Fastened (P)

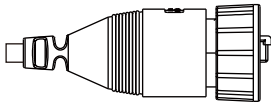


Rear Fastened (R)  
(For ODVA only)

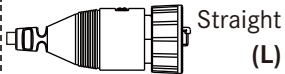


Double Fastened (D)  
(For ODVA only)

## Overmolded with Cable



### Backshell <sup>7</sup>



Straight (L)



Right Angle (R)

### Mating Style <sup>6</sup>

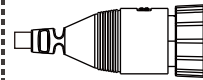


Screw Thread (S)



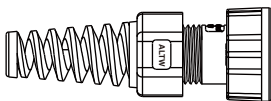
3 Points Lock (T)

### Connector Body (Style) <sup>3</sup>

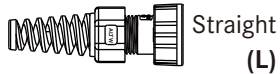


With Strain Relief (A)

## Field Installable



### Backshell <sup>7</sup>



Straight (L)

### Mating Style <sup>6</sup>

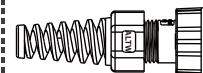


Screw Thread (S)



3 Points Lock (T)

### Connector Body (Style) <sup>3</sup>



With Strain Relief (A)

\* Refer to P8-4 for Ordering Information



# Find Our Standard Products

## ▾ Middle Size 13/16"-28 UNS > Receptacle and Mating Pair

		Receptacle	Overmolded with Cable	Field Installable	
<ul style="list-style-type: none"> <li>Female Connector (Housing)</li> <li>Female Contacts</li> <li>Screw Thread</li> </ul>					
		<p>8 Choose unmated (U) or mated (M) waterproof</p>	<p>2 Choose shielded (5S) or unshielded (5U) *** Choose the cable length:01-99m</p>	<p>*** Choose the cable length:01-99m</p>	
Cat. 5e		Female Connector (F) Female Contacts (F)	Male Connector (M) Male Contacts (M)	Male Connector (M) Male Contacts (M)	
Plastic	Jack 180	RCP-5SPFFH-SC 8 7001 RCP-5SPFFH-SS 8 7001	RCP-5 2 AMMM-SLM7*** RCP-5 2 AMMM-SRM7***	RCP5UM-RCP5UM-SL*** RCP5UM-RCP5UM-SR***	RCP-00AMMA-SLM7001 RCP-00BMMS-SLM7001
	Jack 90	RCP-5SPFFV-SC 8 7001 RCP-5SPFFV-SS 8 7001		RCP5UM-UPG06M-SL*** RCP5UM-UPG06M-SR***	
Metal	Jack 180	RCM-5SPFFH-SC 8 7001 RCM-5SPFFH-SS 8 7001	RCM-5 2 AMMM-SLM7*** RCM-5 2 AMMM-SRM7***	-	-
	Jack 90	RCM-5SPFFV-SC 8 7001 RCM-5SPFFV-SS 8 7001			

\*Refer to P8-5 for ordering.

\* Design and specification are subject to change without notice.

**Middle Size 13-16"-28UNS**

Receptacle and Mating Pair  
3 Points Lock Bayonet

Receptacle | Unmated & Mated  
Overmolded with Cable | Mated  
Field Installable | Mated

▾ **Middle Size 13/16"-28 UNS > Receptacle and Mating Pair**

<ul style="list-style-type: none"> <li>• Female Connector (Housing)</li> <li>• Female Contacts</li> <li>• 3 Points Lock Bayonet</li> </ul>		<p><b>Receptacle</b> →</p>	<p><b>Overmolded with Cable</b> →</p>	<p><b>Field Installable</b></p>	
<p><b>8</b> Choose unmated (U) or mated (M) waterproof</p>		<p><b>2</b> Choose shielded (5S) or unshielded (5U) *** Choose the cable length:01-99m</p>	<p>*** Choose the cable length:01-99m</p>		
Cat. 5e	Female Connector (F) Female Contacts (F)	Male Connector (M) Male Contacts (M)	Male Connector (M) Male Contacts (M)	Male Connector (M) Male Contacts (M)	
Plastic	Jack 180	RCP-5SPFFH-TC <b>8</b> 7001 RCP-5SPFFH-TS <b>8</b> 7001	RCP-5 <b>2</b> AMMM-TLM7***	RCP5UM-RCP5UM-TL*** RCP5UM-RCP5UM-TR***	RCP-00AMMA-TLM7001 RCP-00BMMS-TLM7001
	Jack 90	RCP-5SPFFV-TC <b>8</b> 7001 RCP-5SPFFV-TS <b>8</b> 7001	RCP-5 <b>2</b> AMMM-TRM7***	RCP5UM-UPG06M-TL*** RCP5UM-UPG06M-TR***	

\*Refer to P8-5 for ordering information.

Large Size 1"-20 UNEF > Receptacle and Mating Pair

<ul style="list-style-type: none"> <li>Female Connector (Housing)</li> <li>Female Contacts</li> <li>Screw Thread</li> </ul>		<p>Receptacle</p>	<p>Overmolded with Cable</p>		<p>Field Installable</p>
<p>8 Choose unmated (U) or mated (M) waterproof</p>		<p>2 Choose shielded (5S) or unshielded (5U) *** Choose the cable length:01-99m</p>		<p>*** Choose the cable length:01-99m</p>	
Cat. 5e	Female Connector (F) Female Contacts (F)	Male Connector (M) Male Contacts (M)	Male Connector (M) Male Contacts (M)	Male Connector (M) Male Contacts (M)	
Plastic	Jack 180	RDP-5SPFFH-SC 8 7001 RDP-5SPFFH-SS 8 7001	RDP-5 2 AMMM-SLM7*** RDP-5 2 AMMM-SRM7***	RDP5UM-RDP5UM-SL*** RDP5UM-RDP5UM-SR***	RDP-00AMMA-SLM7001 RDP-00BMMS-SLM7001
	Jack 90	RDP-5SPFFV-SC 8 7001 RDP-5SPFFV-SS 8 7001		RDP5UM-UPG06M-SL*** RDP5UM-UPG06M-SR***	
Metal	Jack 180	RDM-5SPFFH-SC 8 7001 RDM-5SPFFH-SS 8 7001	RDM-5 2 AMMM-SLM7*** RDM-5 2 AMMM-SRM7***	-	-
	Jack 90	RDM-5SPFFV-SC 8 7001 RDM-5SPFFV-SS 8 7001			

\*Refer to P8-5 for ordering information.

\* Design and specification are subject to change without notice.

Large Size 1"-20 UNEF

Receptacle and Mating Pair  
3 Points Lock Bayonet

**IP 67** <sup>9</sup>

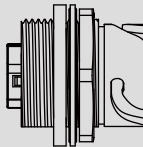
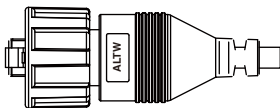
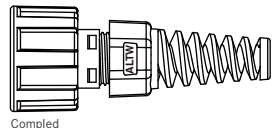
Receptacle | Unmated & Mated  
Overmolded with Cable | Mated  
Field Installable | Mated

Large Size 1"-20 UNEF > Receptacle and Mating Pair

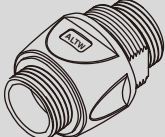

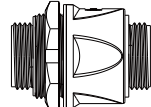
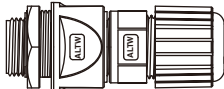

<ul style="list-style-type: none"> <li>Female Connector (Housing)</li> <li>Female Contacts</li> <li>3 Points Lock Bayonet</li> </ul>		<p><b>Receptacle</b></p>	<p><b>Overmolded with Cable</b></p>		<p><b>Field Installable</b></p>
<p><b>8</b> Choose unmated (U) or mated (M) waterproof</p>		<p><b>2</b> Choose shielded (5S) or unshielded (5U) *** Choose the cable length:01-99m</p>		<p><b>5</b> Choose Completed (A) or Feed-Thru (S)</p>	
Cat. 5e	Female Connector (F) Female Contacts (F)	Male Connector (M) Male Contacts (M)	Male Connector (M) Male Contacts (M)	Male Connector (M) Male Contacts (M)	
Plastic	Jack 180	RDP-5SPFFH-TC <b>8</b> 7001 RDP-5SPFFH-TS <b>8</b> 7001	RDP-5 <b>2</b> AMMM-TLM7*** RDP-5 <b>2</b> AMMM-TRM7***	RDP5UM-RDP5UM-TL*** RDP5UM-RDP5UM-TR***	RDP-00AMM <b>5</b> -TLM7001 RDP-00BMMS-TLM7001
	Jack 90	RDP-5SPFFV-TC <b>8</b> 7001 RDP-5SPFFV-TS <b>8</b> 7001		RDP5UM-UPG06M-TL*** RDP5UM-UPG06M-TR***	

\*Refer to P8-5 for ordering information.

### ODVA > Receptacle and Mating Pair

<ul style="list-style-type: none"> <li>• Female Connector</li> <li>• Female Contacts</li> <li>• 3 Points Lock Bayonet</li> <li>• ODVA</li> </ul>	<p>Receptacle</p> 	<p>Overmolded with Cable</p> 	<p>Field Installable</p>  <p>Completed</p>
	<p>3 Choose the Back shell position: Front (P) or Rear (R) or Double (D) Mounting</p> <p>8 Choose unmated (U) or mated (M) waterproof</p>	<p>*** Choose the cable length:01-99m</p>	
ODVA (ROP)	Female Connector (F) Female Contacts (F)	Male Connector (M) Male Contacts (M)	Male Connector (M) Male Contacts (M)
Jack 180°	ROP-5S 3 FFH-TC 8 7001 ROP-5S 3 FFH-TS 8 7001	ROP-5SAMMM-TLM7***	ROP-00AMMA-TLM7001

### I Adaptor

<ul style="list-style-type: none"> <li>• Shielded RJ45</li> <li>• Front Fastened</li> <li>• Screw Thread</li> <li>• Backshell: Circular</li> <li>• Panel Thickness Max: 3.5mm</li> <li>• IP 67</li> </ul>   <p>Upon request</p>		 <p>* Field Installable with cap available (Upon Request)</p>	
	Type 1 Receptacle	Type 2 Field Installable	Type 3 Field Installable (In-line)
	RDP-00PFFH-SCU7001	RDP-00DFFA-SLM7001	RDP-00BFFA-SLM7001

\* Design and specification are subject to change without notice.

**Amphenol LTW Technology Co., Ltd.**

5F-3, No.51, Sec.4, Zhongyang Rd., Tucheng Dist., New Taipei City 236, Taiwan  
Telephone: +886-2-77416888 Fax: +886-2-77416999  
[www.amphenolltw.com](http://www.amphenolltw.com)

**Kunshan Factory**

No. 62, DaTong Road, Development Zone, Kunshan City, JiangSu Province, 215333 China  
Telephone: +86-512-5761-0501  
Fax: : +86-512-5761-0515

**For further information, please contact :**

Sales & Marketing Department | Email : [sales@ltw-tech.com](mailto:sales@ltw-tech.com)



Компания «ЭлектроПласт» предлагает заключение долгосрочных отношений при поставках импортных электронных компонентов на взаимовыгодных условиях!

Наши преимущества:

- Оперативные поставки широкого спектра электронных компонентов отечественного и импортного производства напрямую от производителей и с крупнейших мировых складов;
- Поставка более 17-ти миллионов наименований электронных компонентов;
- Поставка сложных, дефицитных, либо снятых с производства позиций;
- Оперативные сроки поставки под заказ (от 5 рабочих дней);
- Экспресс доставка в любую точку России;
- Техническая поддержка проекта, помощь в подборе аналогов, поставка прототипов;
- Система менеджмента качества сертифицирована по Международному стандарту ISO 9001;
- Лицензия ФСБ на осуществление работ с использованием сведений, составляющих государственную тайну;
- Поставка специализированных компонентов (Xilinx, Altera, Analog Devices, Intersil, Interpoint, Microsemi, Aeroflex, Peregrine, Syfer, Eurofarad, Texas Instrument, Miteq, Cobham, E2V, MA-COM, Hittite, Mini-Circuits, General Dynamics и др.);

Помимо этого, одним из направлений компании «ЭлектроПласт» является направление «Источники питания». Мы предлагаем Вам помощь Конструкторского отдела:

- Подбор оптимального решения, техническое обоснование при выборе компонента;
- Подбор аналогов;
- Консультации по применению компонента;
- Поставка образцов и прототипов;
- Техническая поддержка проекта;
- Защита от снятия компонента с производства.



#### Как с нами связаться

**Телефон:** 8 (812) 309 58 32 (многоканальный)

**Факс:** 8 (812) 320-02-42

**Электронная почта:** [org@eplast1.ru](mailto:org@eplast1.ru)

**Адрес:** 198099, г. Санкт-Петербург, ул. Калинина, дом 2, корпус 4, литера А.