

Kxxx0yU SIDAC Series

RoHS



Schematic Symbol



Description

The SIDAC is a silicon unilateral voltage triggered switch. Upon application of a voltage exceeding the SIDAC breakover voltage point, the SIDAC switches on through a negative resistance region to a low on-state voltage. Conduction continues until the current is interrupted or drops below the minimum holding current of the device.

SIDACs feature glass-passivated junctions to ensure a rugged and dependable device capable of withstanding harsh environments.

Features

- Rectified AC/DC Circuit Oriented
- RoHS Compliant
- Triggering Voltage of 75V to 260V

Applications

Suitable for capacitor-discharge HV generator circuit

Electrical Specifications ($T_j = 25^\circ\text{C}$, unless otherwise specified)

| Symbol | Parameters | Test Conditions | min | max | Unit |
|-----------|-----------------------------------|-----------------|-----|-----|------|
| V_{BO} | Breakover/Trigger Voltage | K0820yURP | 75 | 90 | V |
| | | K0900yURP | 79 | 97 | |
| | | K1050yURP | 95 | 110 | |
| | | K1100yURP | 104 | 118 | |
| | | K1200yURP | 110 | 125 | |
| | | K1300yURP | 120 | 138 | |
| | | K1400yURP | 130 | 146 | |
| | | K1500yURP | 142 | 157 | |
| | | K2000yURP | 190 | 210 | |
| | | K2200yURP | 210 | 230 | |
| | | K2300yURP | 220 | 240 | |
| | | K2400yURP | 230 | 250 | |
| V_{DRM} | Repetitive Peak Off-state Voltage | K2500yURP | 240 | 260 | V |
| | | K0820yURP | 70 | | |
| | | K0900yURP | 70 | | |
| | | K1050yURP | 90 | | |
| | | K1100yURP | 90 | | |
| | | K1200yURP | 100 | | |
| | | K1300yURP | 110 | | |
| | | K1400yURP | 115 | | |
| | | K1500yURP | 120 | | |
| | | K2000yURP | 170 | | |
| | | K2200yURP | 190 | | |
| | | K2300yURP | 200 | | |
| K2400yURP | 210 | | | | |
| K2500yURP | 220 | | | | |

Electrical Specifications ($T_J = 25^\circ\text{C}$, unless otherwise specified)

| Symbol | Parameters | Test Conditions | Min | Max | Unit | |
|-----------------|---|--|--|-------------|--------------------|---|
| $I_{T(RMS)}$ | On-state RMS Current | 50/60Hz | | 1 | A | |
| I_{DRM} | Repetitive Peak Off-state Current | $V = V_{DRM}$ 50/60Hz Sine Wave | | 5 | μA | |
| V_{TM} | Peak On-state Voltage | $I_T = 1\text{A}$ | | 1.2 | V | |
| I_H | Dynamic Holding Current | $R_L = 100\Omega$ 50/60Hz Sine Wave | 10 | 80 | mA | |
| R_S | Switching Resistance, $R_S = \frac{(V_{BO} - V_S)}{(I_S - I_{BO})}$ | 50/60Hz Sine Wave | 100 | | Ω | |
| I_{BO} | Breakover Current | 50/60Hz Sine Wave | | 10 | μA | |
| I_{TRM} | Peak Repetitive Pulse Current (refer to figure 4) | K0820yU~ K0900yU | $T_P = 10\mu\text{s}$ $T_A = 125^\circ\text{C}$ | 60Hz 5Hz | 80 160 | A |
| | | K1050yU~ K2000yU | $T_P = 10\mu\text{s}$ $T_A = 125^\circ\text{C}$ | 60Hz 5Hz | 120 280 | |
| | | K2200yU~ K2500yU | $T_P = 10\mu\text{s}$ $T_A = 135^\circ\text{C}$ | 60Hz 5Hz | 120 280 | |
| | | | | | | |
| I_{TSM} | Peak Non-repetitive Surge Current (refer to figure 5) | Single Cycle | 60Hz 50Hz | 20 16.7 | A | |
| di/dt | Critical Rate of Rise of On-state Current | | | 150 | A/ μs | |
| dv/dt | Critical Rate of Rise of Off-state Voltage | | 1500 | | V/ μs | |
| T_S | Storage Temperature Range | | -40 | 150 | $^\circ\text{C}$ | |
| T_J | Junction Temperature Range | K0820yU~K2000yU | -40 | 125 | $^\circ\text{C}$ | |
| | | K2200yU~K2500yU | -40 | 150 | | |
| $R_{\theta JL}$ | Thermal Resistance, Junction to Lead | DO-214 | | 30 | $^\circ\text{C/W}$ | |
| | | DO-15 | | 18 | | |

Figure 1: V-I Characteristics



Figure 2: On-state Current vs. On-state Voltage (Typical)



Figure 3: Power Dissipation vs. On-state Current (Typical)



Figure 4: Peak Non-repetitive Surge Current (I_{TSM}) vs. Number of Cycles



Figure 5: Repetitive Peak On-state Current (I_{TRM}) vs. Pulse Width at Various Frequencies of K0820yU/K0900yU



Figure 6: Repetitive Peak On-state Current (I_{TRM}) vs. Pulse Width at Various Frequencies of K1050yU~K2500yU



Figure 7: Normalized V_{BO} Change vs. Junction Temperature



Figure 8: Normalized DC Holding Current vs. Junction Temperature



Figure 9: Maximum Allowable Case Temperature vs. RMS On-State Current



Figure 10: Maximum Allowable Ambient Temperature vs. RMS On-State Current



Figure 11: Normalized Repetitive Peak Breakover Current (I_{BO}) vs. Junction Temperature



Figure 12: Dynamic Holding Current Test Circuit for SIDACs



Figure 13: Basic SIDAC Circuit



Figure 14: Relaxation Oscillator Using a SIDAC



Figure 15: Low-voltage Input Circuit for Gas Ignition

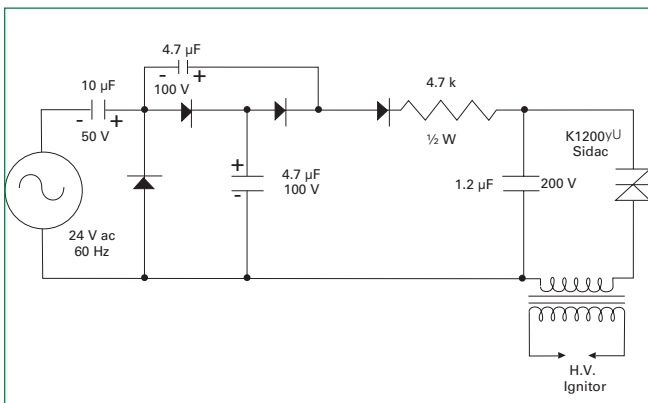


Figure 16: Comparison of SIDAC versus SCR for Gas Ignitor Circuit



Figure 17: SIDAC Circuit for High-power Igniter

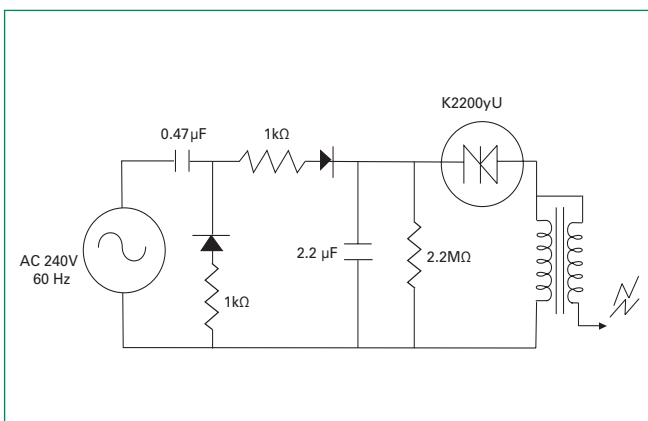


Figure 18: SIDAC Circuit for Gas Ignition



Soldering Parameters

| | | |
|--|------------------------------------|-------------------------|
| Reflow Condition | | Pb – Free assembly |
| Pre Heat | - Temperature Min ($T_{s(min)}$) | 150°C |
| | - Temperature Max ($T_{s(max)}$) | 200°C |
| | - Time (min to max) (t_s) | 60 – 180 secs |
| Average ramp up rate (Liquidus Temp) (T_L) to peak | | 5°C/second max |
| $T_{S(max)}$ to T_L - Ramp-up Rate | | 5°C/second max |
| Reflow | - Temperature (T_L) (Liquidus) | 217°C |
| | - Temperature (t_L) | 60 – 150 seconds |
| Peak Temperature (T_p) | | 260 ^{+0/-5} °C |
| Time within 5°C of actual peak Temperature (t_p) | | 20 – 40 seconds |
| Ramp-down Rate | | 5°C/second max |
| Time 25°C to peak Temperature (T_p) | | 8 minutes Max. |
| Do not exceed | | 280°C |



Physical Specifications

| | |
|------------------------|---|
| Terminal Finish | 100% Matte Tin Plated |
| Body Material | UL recognized epoxy meeting flammability classification 94V-0 |
| Lead Material | Copper Alloy |

Design Considerations

Careful selection of the correct device for the application's operating parameters and environment will go a long way toward extending the operating life of the Thyristor. Overheating and surge currents are the main killers of SIDACs. Correct mounting, soldering, and forming of the leads also help protect against component damage.

Reliability/Environmental Tests

| Test | Specifications and Conditions |
|--|---|
| High Temperature Voltage Blocking | MIL-STD-750: Method 1040, Condition A Rated V_{DRM} (Rectified VAC-peak), T_J , 504 hours |
| Temperature Cycling | MIL-STD-750: Method 1051 -40°C to 150°C, 15-minute dwell, 100 cycles |
| Biased Temperature & Humidity | EIA/JEDEC: JESD22-A101 80% min V_{BO} (V_{DC}), 85°C, 85%RH, 1008 hours |
| High Temp Storage | MIL-STD-750: Method 1031 150°C, 1008 hours |
| Low-Temp Storage | -40°C, 1008 hours |
| Thermal Shock | MIL-STD-750: Method 1056 0°C to 100°C, 5-minute dwell, 10-second transfer, 10 cycles |
| Resistance to Solder Heat | MIL-STD-750: Method 2031 260°C, 10 seconds |
| Solderability | ANSI/J-STD-002: Category 3 |
| Lead Bend | MIL-STD-750: Method 2036, Condition E |

Dimensions

DO-214AC (SMA)



| Dimensions | Inches | | Millimeters | |
|------------|--------|-------|-------------|-------|
| | Min | Max | Min | Max |
| A | 0.049 | 0.065 | 1.250 | 1.650 |
| B | 0.157 | 0.177 | 3.990 | 4.500 |
| C | 0.100 | 0.110 | 2.540 | 2.790 |
| D | 0.078 | 0.090 | 1.980 | 2.290 |
| E | 0.030 | 0.060 | 0.780 | 1.520 |
| F | - | 0.008 | - | 0.203 |
| G | 0.194 | 0.208 | 4.930 | 5.280 |
| H | 0.006 | 0.012 | 0.152 | 0.305 |
| I | 0.070 | - | 1.800 | - |
| J | 0.082 | - | 2.100 | - |
| K | - | 0.090 | - | 2.300 |
| L | 0.082 | - | 2.100 | - |

Dimensions — DO-15



| Dimension | Inches | | Millimeters | |
|-----------|--------|-------|-------------|------|
| | Max | Max | Min | Max |
| A | 1.000 | - | 25.40 | - |
| B | 0.230 | 0.300 | 5.80 | 7.60 |
| C | 0.028 | 0.034 | 0.71 | 0.86 |
| D | 0.104 | 0.140 | 2.60 | 3.60 |

Product Selector

| Part Number | Switching Voltage Range | | Blocking Voltage | Packages | |
|-------------|-------------------------|-------------------------|------------------|-----------|------------|
| | V _{BO} Minimum | V _{BO} Maximum | V _{DRM} | DO-15 | DO-214 |
| K0820yURP | 75 | 90 | 70 | K0820GURP | K0820S1URP |
| K0900yURP | 79 | 97 | 70 | K0900GURP | K0900S1URP |
| K1050yURP | 95 | 110 | 90 | K1050GURP | K1050S1URP |
| K1100yURP | 104 | 118 | 90 | K1100GURP | K1100S1URP |
| K1200yURP | 110 | 125 | 100 | K1200GURP | K1200S1URP |
| K1300yURP | 120 | 138 | 110 | K1300GURP | K1300S1URP |
| K1400yURP | 130 | 146 | 115 | K1400GURP | K1400S1URP |
| K1500yURP | 142 | 157 | 120 | K1500GURP | K1500S1URP |
| K2000yURP | 190 | 210 | 170 | K2000GURP | K2000S1URP |
| K2200yURP | 210 | 230 | 190 | K2200GURP | K2200S1URP |
| K2300yURP | 220 | 240 | 200 | K2300GURP | K2300S1URP |
| K2400yURP | 230 | 250 | 210 | K2400GURP | K2400S1URP |
| K2500yURP | 240 | 260 | 220 | K2500GURP | K2500S1URP |

Packing Options

| Part Number | Marking | Weight | Package Mode | Packages | Base Quantity |
|-------------|---------|--------|--------------|----------|---------------|
| Kxxx0S1URP | Kxxx | 0.062g | Reel Pack | DO-214AC | 5000 |
| Kxxx0GURP | Kxxx | 0.38g | Reel Pack | DO-15 | 5000 |

Part Numbering System



Part Marking System



Tape and Reel Specification — DO-214AC



DO-15 Reel Pack (RP) Specifications

Meets all EIA RS-296 Standards





Компания «ЭлектроПласт» предлагает заключение долгосрочных отношений при поставках импортных электронных компонентов на взаимовыгодных условиях!

Наши преимущества:

- Оперативные поставки широкого спектра электронных компонентов отечественного и импортного производства напрямую от производителей и с крупнейших мировых складов;
- Поставка более 17-ти миллионов наименований электронных компонентов;
- Поставка сложных, дефицитных, либо снятых с производства позиций;
- Оперативные сроки поставки под заказ (от 5 рабочих дней);
- Экспресс доставка в любую точку России;
- Техническая поддержка проекта, помощь в подборе аналогов, поставка прототипов;
- Система менеджмента качества сертифицирована по Международному стандарту ISO 9001;
- Лицензия ФСБ на осуществление работ с использованием сведений, составляющих государственную тайну;
- Поставка специализированных компонентов (Xilinx, Altera, Analog Devices, Intersil, Interpoint, Microsemi, Aeroflex, Peregrine, Syfer, Eurofarad, Texas Instrument, Miteq, Cobham, E2V, MA-COM, Hittite, Mini-Circuits, General Dynamics и др.);

Помимо этого, одним из направлений компании «ЭлектроПласт» является направление «Источники питания». Мы предлагаем Вам помощь Конструкторского отдела:

- Подбор оптимального решения, техническое обоснование при выборе компонента;
- Подбор аналогов;
- Консультации по применению компонента;
- Поставка образцов и прототипов;
- Техническая поддержка проекта;
- Защита от снятия компонента с производства.



Как с нами связаться

Телефон: 8 (812) 309 58 32 (многоканальный)

Факс: 8 (812) 320-02-42

Электронная почта: org@eplast1.ru

Адрес: 198099, г. Санкт-Петербург, ул. Калинина, дом 2, корпус 4, литера А.