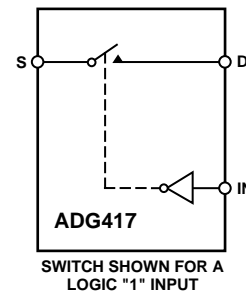


**FEATURES****44 V Supply Maximum Ratings****V<sub>SS</sub> to V<sub>DD</sub> Analog Signal Range****Low On Resistance (<35 Ω)****Ultralow Power Dissipation (<35 μW)****Fast Switching Times****t<sub>ON</sub> (160 ns max)****t<sub>OFF</sub> (100 ns max)****Break-Before-Make Switching Action****Plug-In Replacement for DG417****APPLICATIONS****Precision Test Equipment****Precision Instrumentation****Battery Powered Systems****Sample Hold Systems****FUNCTIONAL BLOCK DIAGRAM****GENERAL DESCRIPTION**

The ADG417 is a monolithic CMOS SPST switch. This switch is designed on an enhanced LC<sup>2</sup>MOS process that provides low power dissipation yet gives high switching speed, low on resistance and low leakage currents.

The on resistance profile of the ADG417 is very flat over the full analog input range ensuring excellent linearity and low distortion. The part also exhibits high switching speed and high signal bandwidth. CMOS construction ensures ultralow power dissipation making the parts ideally suited for portable and battery powered instruments.

The ADG417 switch, which is turned ON with a logic low on the control input, conducts equally well in both directions when ON and has an input signal range that extends to the supplies. In the OFF condition, signal levels up to the supplies are blocked. The ADG417 exhibits break-before-make switching action for use in multiplexer applications. Inherent in the design is low charge injection for minimum transients when switching the digital input.

**PRODUCT HIGHLIGHTS**

1. Extended Signal Range  
The ADG417 is fabricated on an enhanced LC<sup>2</sup>MOS process, giving an increased signal range that extends to the supply rails.
2. Ultralow Power Dissipation
3. Low R<sub>ON</sub>
4. Single Supply Operation  
For applications where the analog signal is unipolar, the ADG417 can be operated from a single rail power supply. The part is fully specified with a single +12 V power supply and will remain functional with single supplies as low as +5 V.

**REV. A**

Information furnished by Analog Devices is believed to be accurate and reliable. However, no responsibility is assumed by Analog Devices for its use, nor for any infringements of patents or other rights of third parties which may result from its use. No license is granted by implication or otherwise under any patent or patent rights of Analog Devices.

# ADG417—SPECIFICATIONS

Dual Supply<sup>1</sup> ( $V_{DD} = +15\text{ V} \pm 10\%$ ,  $V_{SS} = -15\text{ V} \pm 10\%$ ,  $V_L = +5\text{ V} \pm 10\%$ ,  $GND = 0\text{ V}$ , unless otherwise noted)

Parameter	B Version		T Version		Units	Test Conditions/Comments
	+25°C	-40°C to +85°C	+25°C	-55°C to +125°C		
<b>ANALOG SWITCH</b>						
Analog Signal Range		$V_{SS}$ to $V_{DD}$		$V_{SS}$ to $V_{DD}$	V	
$R_{ON}$	25 35	45	25 35	45	$\Omega$ typ $\Omega$ max	$V_D = \pm 12.5\text{ V}$ , $I_S = -10\text{ mA}$ $V_{DD} = +13.5\text{ V}$ , $V_{SS} = -13.5\text{ V}$
<b>LEAKAGE CURRENTS</b>						
Source OFF Leakage $I_S$ (OFF)	$\pm 0.1$ $\pm 0.25$	$\pm 5$	$\pm 0.1$ $\pm 0.25$	$\pm 15$	nA typ nA max	$V_{DD} = +16.5\text{ V}$ , $V_{SS} = -16.5\text{ V}$ $V_D = \pm 15.5\text{ V}$ , $V_S = \mp 15.5\text{ V}$ ; Test Circuit 2
Drain OFF Leakage $I_D$ (OFF)	$\pm 0.1$ $\pm 0.25$	$\pm 5$	$\pm 0.1$ $\pm 0.25$	$\pm 15$	nA typ nA max	$V_D = \pm 15.5\text{ V}$ , $V_S = \mp 15.5\text{ V}$ ; Test Circuit 2
Channel ON Leakage $I_D$ , $I_S$ (ON)	$\pm 0.1$ $\pm 0.4$	$\pm 5$	$\pm 0.1$ $\pm 0.4$	$\pm 30$	nA typ nA max	$V_S = V_D = \pm 15.5\text{ V}$ ; Test Circuit 3
<b>DIGITAL INPUTS</b>						
Input High Voltage, $V_{INH}$		2.4		2.4	V min	
Input Low Voltage, $V_{INL}$		0.8		0.8	V max	
Input Current $I_{INL}$ or $I_{INH}$		$\pm 0.005$ $\pm 0.5$		$\pm 0.005$ $\pm 0.5$	$\mu\text{A}$ typ $\mu\text{A}$ max	$V_{IN} = V_{INL}$ or $V_{INH}$
<b>DYNAMIC CHARACTERISTICS<sup>2</sup></b>						
$t_{ON}$	100 160	200	100 145	200	ns typ ns max	$R_L = 300\ \Omega$ , $C_L = 35\text{ pF}$ ; $V_S = \pm 10\text{ V}$ ; Test Circuit 4
$t_{OFF}$	60 100	150	60 100	150	ns typ ns max	$R_L = 300\ \Omega$ , $C_L = 35\text{ pF}$ ; $V_S = \pm 10\text{ V}$ ; Test Circuit 4
Charge Injection	7		7		pC typ	$V_S = 0\text{ V}$ , $R_L = 0\ \Omega$ , $C_L = 10\text{ nF}$ ; Test Circuit 5
OFF Isolation	80		80		dB typ	$R_L = 50\ \Omega$ , $f = 1\text{ MHz}$ ; Test Circuit 6
$C_S$ (OFF)	6		6		pF typ	
$C_D$ (OFF)	6		6		pF typ	
$C_D$ , $C_S$ (ON)	55		55		pF typ	
<b>POWER REQUIREMENTS</b>						
$I_{DD}$	0.0001 1	2.5	0.0001 1	2.5	$\mu\text{A}$ typ $\mu\text{A}$ max	$V_{DD} = +16.5\text{ V}$ , $V_{SS} = -16.5\text{ V}$ $V_{IN} = 0\text{ V}$ or $5\text{ V}$
$I_{SS}$	0.0001 1	2.5	0.0001 1	2.5	$\mu\text{A}$ typ $\mu\text{A}$ max	
$I_L$	0.0001 1	2.5	0.0001 1	2.5	$\mu\text{A}$ typ $\mu\text{A}$ max	$V_L = +5.5\text{ V}$

## NOTES

<sup>1</sup>Temperature ranges are as follows: B Version:  $-40^\circ\text{C}$  to  $+85^\circ\text{C}$ ; T Version:  $-55^\circ\text{C}$  to  $+125^\circ\text{C}$ .

<sup>2</sup>Guaranteed by design, not subject to production test.

Specifications subject to change without notice.

# Single Supply<sup>1</sup> ( $V_{DD} = +12\text{ V} \pm 10\%$ , $V_{SS} = 0\text{ V}$ , $V_L = +5\text{ V} \pm 10\%$ , $GND = 0\text{ V}$ , unless otherwise noted)

Parameter	B Version -40°C to +25°C +85°C		T Version -55°C to +25°C +125°C		Units	Test Conditions/Comments
	+25°C	+85°C	+25°C	+125°C		
<b>ANALOG SWITCH</b>						
Analog Signal Range	0 to $V_{DD}$		0 to $V_{DD}$		V	$V_D = +3\text{ V}$ , $+8.5\text{ V}$ , $I_S = -10\text{ mA}$ $V_{DD} = +10.8\text{ V}$
$R_{ON}$	40	60	40	70	$\Omega$ typ $\Omega$ max	
<b>LEAKAGE CURRENT</b>						
Source OFF Leakage $I_S$ (OFF)	$\pm 0.1$		$\pm 0.1$		nA typ	$V_{DD} = +13.2\text{ V}$ $V_D = 12.2\text{ V}/1\text{ V}$ , $V_S = 1\text{ V}/12.2\text{ V}$ ; Test Circuit 2 $V_D = 12.2\text{ V}/1\text{ V}$ , $V_S = 1\text{ V}/12.2\text{ V}$ ; Test Circuit 2 $V_S = V_D = 12.2\text{ V}/1\text{ V}$ ; Test Circuit 3
Drain OFF Leakage $I_D$ (OFF)	$\pm 0.25$	$\pm 5$	$\pm 0.25$	$\pm 15$	nA max	
Channel ON Leakage $I_D$ , $I_S$ (ON)	$\pm 0.1$		$\pm 0.1$		nA typ	
	$\pm 0.25$	$\pm 5$	$\pm 0.25$	$\pm 15$	nA max	
	$\pm 0.1$		$\pm 0.1$		nA typ	
	$\pm 0.4$	$\pm 5$	$\pm 0.4$	$\pm 30$	nA max	
<b>DIGITAL INPUTS</b>						
Input High Voltage, $V_{INH}$	2.4		2.4		V min	$V_{IN} = V_{INL}$ or $V_{INH}$
Input Low Voltage, $V_{INL}$	0.8		0.8		V max	
Input Current					$\mu\text{A}$ typ	
$I_{INL}$ or $I_{INH}$	$\pm 0.005$		$\pm 0.005$		$\mu\text{A}$ max	
		$\pm 0.5$		$\pm 0.5$		
<b>DYNAMIC CHARACTERISTICS<sup>2</sup></b>						
$t_{ON}$	180	250	180	250	ns max	$R_L = 300\ \Omega$ , $C_L = 35\text{ pF}$ ; $V_S = +8\text{ V}$ ; Test Circuit 4 $R_L = 300\ \Omega$ , $C_L = 35\text{ pF}$ ; $V_S = +8\text{ V}$ ; Test Circuit 4 $V_S = 0\text{ V}$ , $R_S = 0\ \Omega$ , $C_L = 10\text{ nF}$ ; Test Circuit 5 $R_L = 50\ \Omega$ , $f = 1\text{ MHz}$ ; Test Circuit 6
$t_{OFF}$	85	110	85	110	ns max	
Charge Injection	11		11		pC typ	
OFF Isolation	80		80		dB typ	
$C_S$ (OFF)	13		13		pF typ	
$C_D$ (OFF)	13		13		pF typ	
$C_D$ , $C_S$ (ON)	65		65		pF typ	
<b>POWER REQUIREMENTS</b>						
$I_{DD}$	0.0001		0.0001		$\mu\text{A}$ typ	$V_{DD} = +13.2\text{ V}$ $V_{IN} = 0\text{ V}$ or $5\text{ V}$
	1	2.5	1	2.5	$\mu\text{A}$ max	
$I_L$	0.0001		0.0001		$\mu\text{A}$ typ	$V_L = +5.5\text{ V}$
	1	2.5	1	2.5	$\mu\text{A}$ max	

## NOTES

<sup>1</sup>Temperature ranges are as follows: B Version:  $-40^\circ\text{C}$  to  $+85^\circ\text{C}$ ; T Version:  $-55^\circ\text{C}$  to  $+125^\circ\text{C}$ .

<sup>2</sup>Guaranteed by design, not subject to production test.

Specifications subject to change without notice.

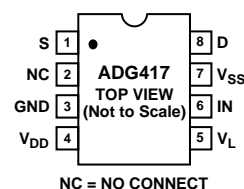
Table I. Truth Table

Logic	Switch Condition
0	ON
1	OFF

## ORDERING GUIDE

Model	Temperature Range	Package Options*
ADG417BN	$-40^\circ\text{C}$ to $+85^\circ\text{C}$	N-8
ADG417BR	$-40^\circ\text{C}$ to $+85^\circ\text{C}$	SO-8

\*N = Plastic DIP, SO = 0.15" Small Outline IC (SOIC).

PIN CONFIGURATION  
DIP/SOIC

# ADG417

## ABSOLUTE MAXIMUM RATINGS<sup>1</sup>

(T<sub>A</sub> = +25°C unless otherwise noted)

V <sub>DD</sub> to V <sub>SS</sub> .....	+44 V
V <sub>DD</sub> to GND .....	-0.3 V to +25 V
V <sub>SS</sub> to GND .....	+0.3 V to -25 V
V <sub>L</sub> to GND .....	-0.3 V to V <sub>DD</sub> + 0.3 V
Analog, Digital Inputs <sup>2</sup> .....	V <sub>SS</sub> - 2 V to V <sub>DD</sub> + 2 V
	or 30 mA, Whichever Occurs First
Continuous Current, S or D .....	30 mA
Peak Current, S or D .....	100 mA
	(Pulsed at 1 ms, 10% Duty Cycle Max)
Operating Temperature Range	
Industrial (B Version) .....	-40°C to +85°C
Extended (T Version) .....	-55°C to +125°C
Storage Temperature Range .....	-65°C to +150°C
Junction Temperature .....	150°C

## CAUTION

ESD (electrostatic discharge) sensitive device. Electrostatic charges as high as 4000 V readily accumulate on the human body and test equipment and can discharge without detection. Although the ADG417 features proprietary ESD protection circuitry, permanent damage may occur on devices subjected to high energy electrostatic discharges. Therefore, proper ESD precautions are recommended to avoid performance degradation or loss of functionality.



Plastic Package, Power Dissipation .....	400 mW
θ <sub>JA</sub> , Thermal Impedance .....	100°C/W
Lead Temperature, Soldering (10 sec) .....	+260°C
SOIC Package, Power Dissipation .....	400 mW
θ <sub>JA</sub> , Thermal Impedance .....	155°C/W
Lead Temperature, Soldering	
Vapor Phase (60 sec) .....	+215°C
Infrared (15 sec) .....	+220°C

## NOTES

<sup>1</sup>Stresses above those listed under Absolute Maximum Ratings may cause permanent damage to the device. This is a stress rating only; functional operation of the device at these or any other conditions above those listed in the operational sections of this specification is not implied. Exposure to absolute maximum rating conditions for extended periods may affect device reliability. Only one absolute maximum rating may be applied at any one time.

<sup>2</sup>Overvoltages at IN, S or D will be clamped by internal diodes. Current should be limited to the maximum ratings given.

## TERMINOLOGY

V <sub>DD</sub>	Most positive power supply potential.
V <sub>SS</sub>	Most negative power supply potential in dual supplies. In single supply applications, it may be connected to GND.
V <sub>L</sub>	Logic power supply (+5 V).
GND	Ground (0 V) reference.
S	Source terminal. May be an input or an output.
D	Drain terminal. May be an input or an output.
IN	Logic control input.
R <sub>ON</sub>	Ohmic resistance between D and S.
I <sub>S</sub> (OFF)	Source leakage current with the switch "OFF."
I <sub>D</sub> (OFF)	Drain leakage current with the switch "OFF."
I <sub>D</sub> , I <sub>S</sub> (ON)	Channel leakage current with the switch "ON."

V <sub>D</sub> (V <sub>S</sub> )	Analog voltage on terminals D, S.
C <sub>S</sub> (OFF)	"OFF" switch source capacitance.
C <sub>D</sub> (OFF)	"OFF" switch drain capacitance.
C <sub>D</sub> , C <sub>S</sub> (ON)	"ON" switch capacitance.
t <sub>ON</sub>	Delay between applying the digital control input and the output switching on.
t <sub>OFF</sub>	Delay between applying the digital control input and the output switching off.
V <sub>INL</sub>	Maximum input voltage for logic "0."
V <sub>INH</sub>	Minimum input voltage for logic "1."
I <sub>INL</sub> (I <sub>INH</sub> )	Input current of the digital input.
Charge Injection	A measure of the glitch impulse transferred from the digital input to the analog output during switching.
Off Isolation	A measure of unwanted signal coupling through an "OFF" channel.
I <sub>DD</sub>	Positive supply current.
I <sub>SS</sub>	Negative supply current.
I <sub>L</sub>	Logic supply current.

# Typical Performance Characteristics—ADG417

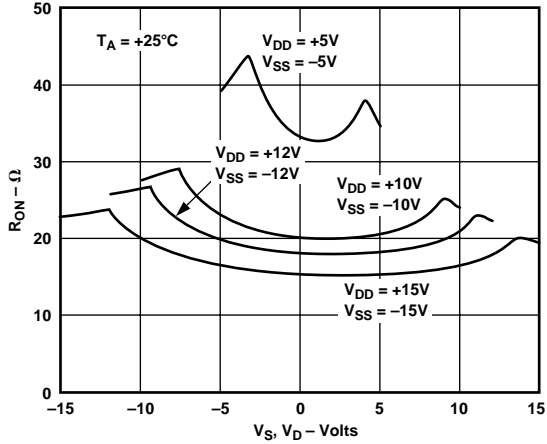


Figure 1.  $R_{ON}$  as a Function of  $V_D$  ( $V_S$ ): Dual Supply Voltage

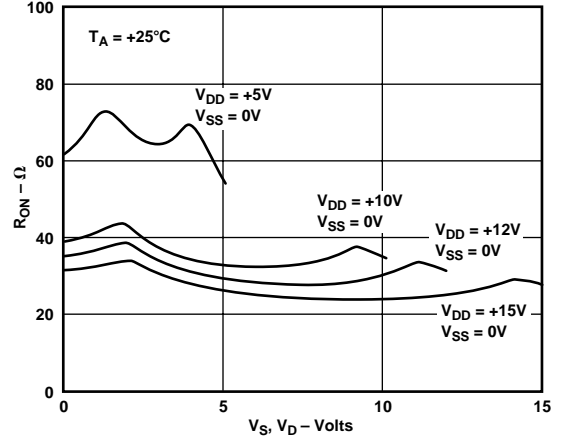


Figure 4.  $R_{ON}$  as a Function of  $V_D$  ( $V_S$ ): Single Supply Voltage

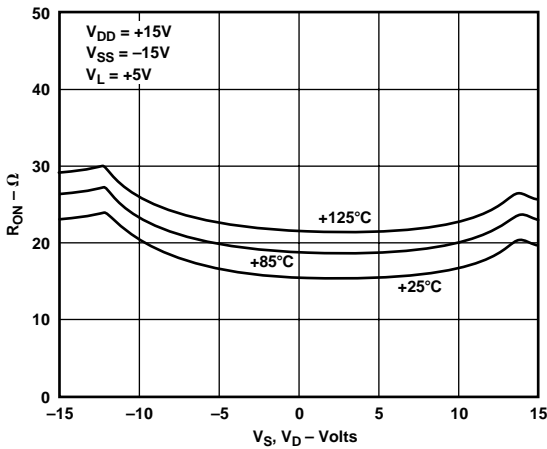


Figure 2.  $R_{ON}$  as a Function of  $V_D$  ( $V_S$ ) for Different Temperatures

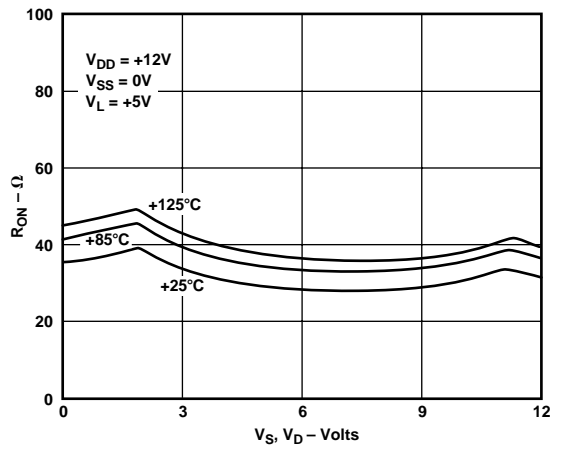


Figure 5.  $R_{ON}$  as a Function of  $V_D$  ( $V_S$ ) for Different Temperatures

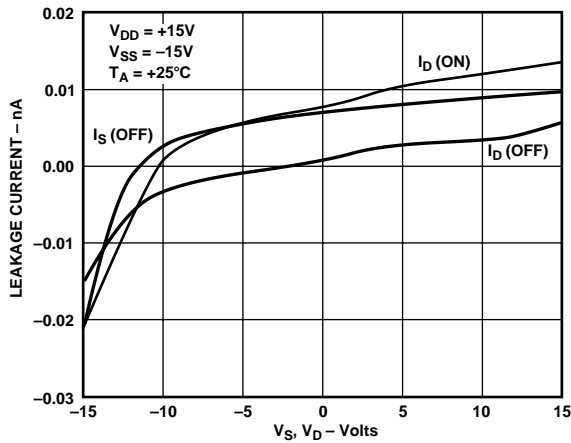


Figure 3. Leakage Currents as a Function of  $V_S$  ( $V_D$ )

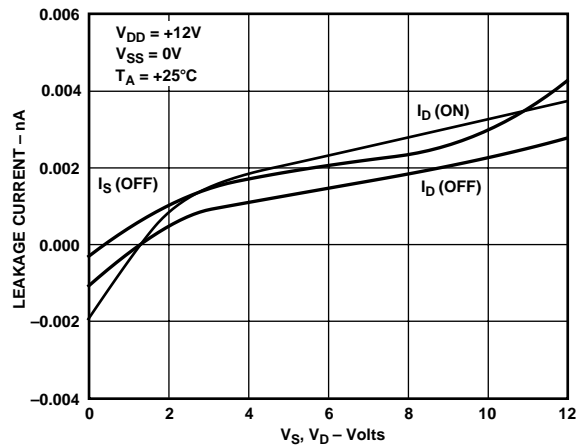


Figure 6. Leakage Currents as a Function of  $V_S$  ( $V_D$ )

# ADG417



Figure 7. Supply Current vs. Input Switching Frequency

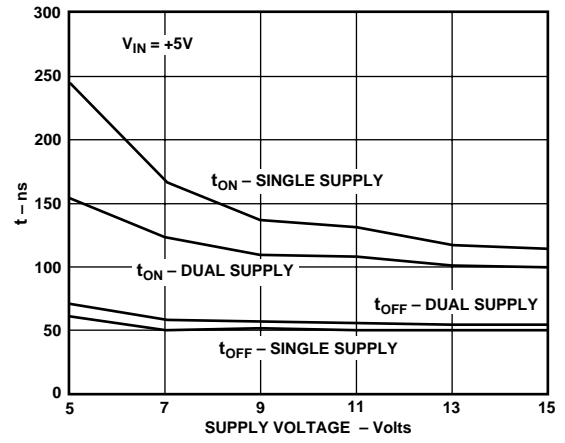
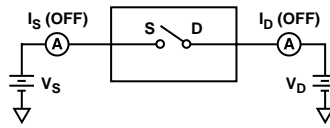


Figure 8. Switching Time vs. Power Supply

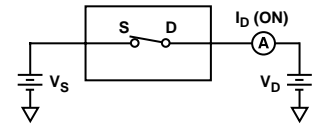
## Test Circuits



Test Circuit 1. On Resistance



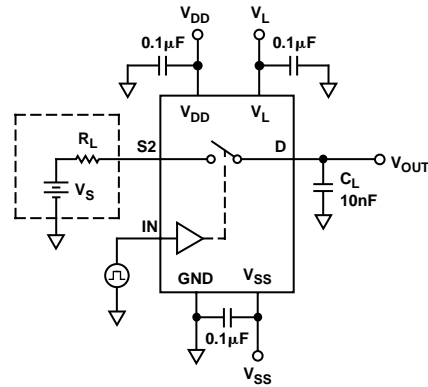
Test Circuit 2. Off Leakage



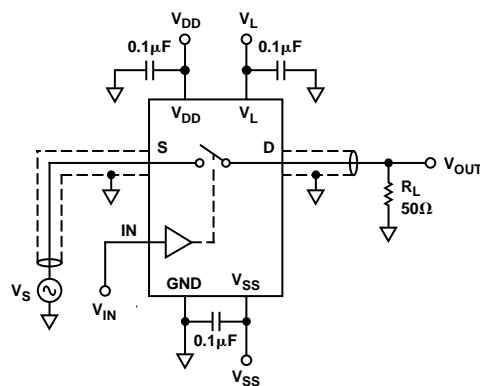
Test Circuit 3. On Leakage



Test Circuit 4. Switching Times



Test Circuit 5. Charge Injection

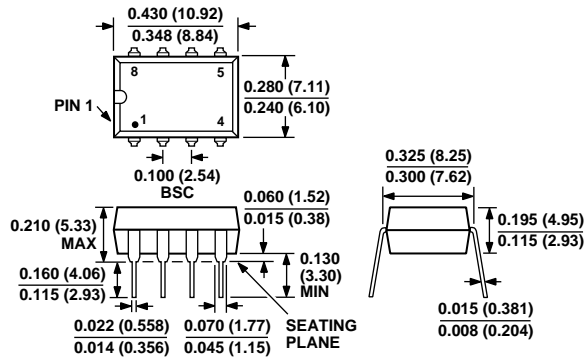


Test Circuit 6. Off Isolation

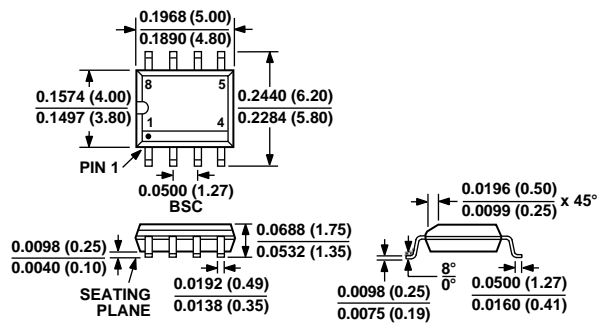
**OUTLINE DIMENSIONS**

Dimensions shown in inches and (mm).

**8-Lead Plastic DIP (N-8)**



**8-Lead SOIC (SO-8)  
(Narrow Body)**







Компания «ЭлектроПласт» предлагает заключение долгосрочных отношений при поставках импортных электронных компонентов на взаимовыгодных условиях!

Наши преимущества:

- Оперативные поставки широкого спектра электронных компонентов отечественного и импортного производства напрямую от производителей и с крупнейших мировых складов;
- Поставка более 17-ти миллионов наименований электронных компонентов;
- Поставка сложных, дефицитных, либо снятых с производства позиций;
- Оперативные сроки поставки под заказ (от 5 рабочих дней);
- Экспресс доставка в любую точку России;
- Техническая поддержка проекта, помощь в подборе аналогов, поставка прототипов;
- Система менеджмента качества сертифицирована по Международному стандарту ISO 9001;
- Лицензия ФСБ на осуществление работ с использованием сведений, составляющих государственную тайну;
- Поставка специализированных компонентов (Xilinx, Altera, Analog Devices, Intersil, Interpoint, Microsemi, Aeroflex, Peregrine, Syfer, Eurofarad, Texas Instrument, Miteq, Cobham, E2V, MA-COM, Hittite, Mini-Circuits, General Dynamics и др.);

Помимо этого, одним из направлений компании «ЭлектроПласт» является направление «Источники питания». Мы предлагаем Вам помощь Конструкторского отдела:

- Подбор оптимального решения, техническое обоснование при выборе компонента;
- Подбор аналогов;
- Консультации по применению компонента;
- Поставка образцов и прототипов;
- Техническая поддержка проекта;
- Защита от снятия компонента с производства.



#### Как с нами связаться

**Телефон:** 8 (812) 309 58 32 (многоканальный)

**Факс:** 8 (812) 320-02-42

**Электронная почта:** [org@eplast1.ru](mailto:org@eplast1.ru)

**Адрес:** 198099, г. Санкт-Петербург, ул. Калинина, дом 2, корпус 4, литера А.