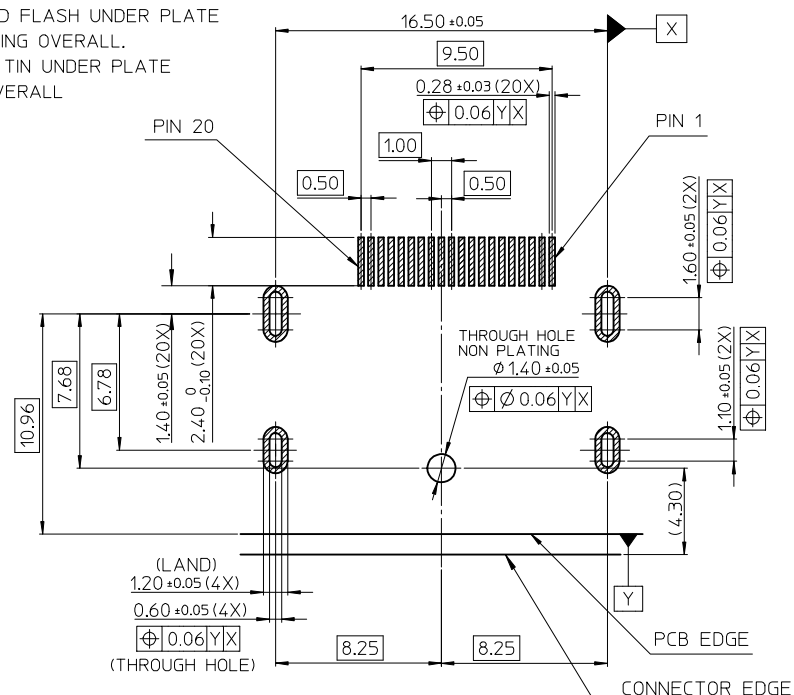
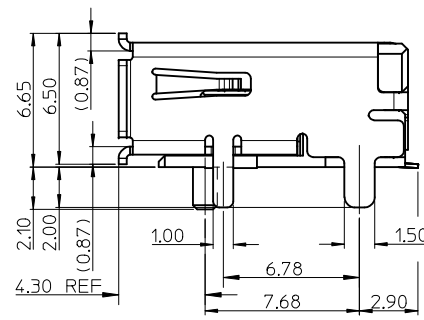
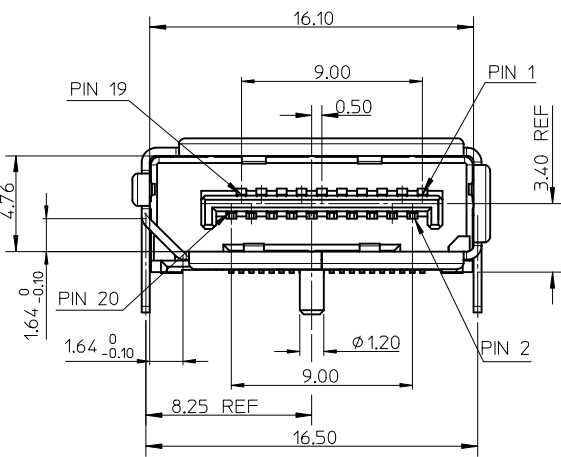
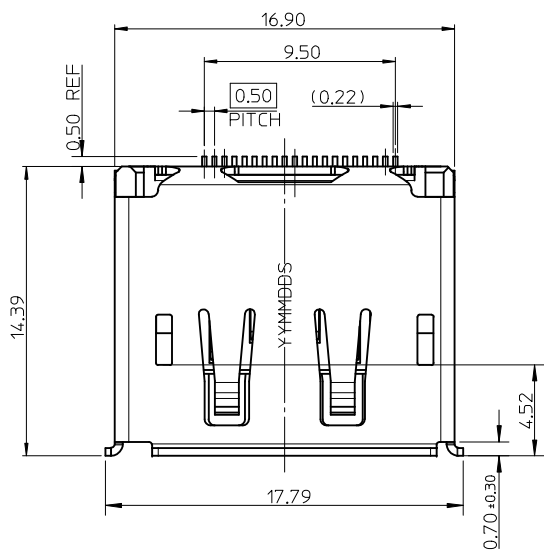
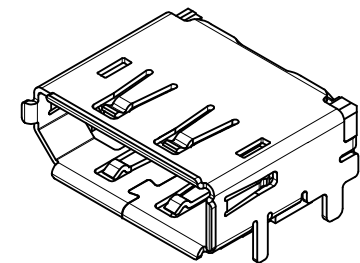


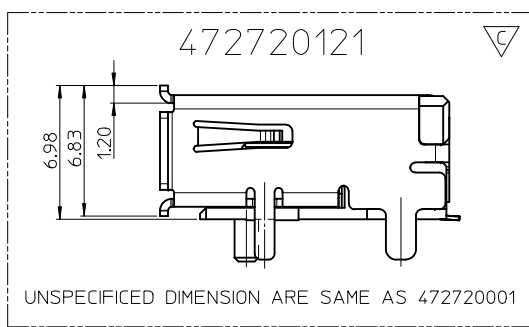
10 9 8 7 6 5 4 3 2 1

NOTES:

- MATERIAL:  
HOUSING: LIQUID CRYSTAL POLYMER, BLACK, 30% GLASS FILLED, UL94V-0.  
TERMINAL: BRASS.  
SHELL: STAINLESS STEEL FOR WITHOUT FLANGE PART & PHOSPHOR BRONZE FOR WITH FLANGE PART
- PLATING:  
TERMINAL:  
CONTACT AREA: (1). 0.76 MICROMETER (30 μ) GOLD PLATING  
(2). 0.38 MICROMETER (15 μ) GOLD PLATING  
(3). GOLD FLASH PLATING  
AND SOLDER TAIL: 1~3 MICROMETER (39~118 μ) MATT TIN UNDER PLATE  
2~4 MICROMETER (79~158 μ) NICKEL PLATING OVERALL.
- SHELL:  
(a). 1.27~2.54 MICROMETER (50~100 μ) SOLDERABLE NICKEL PLATING OVERALL.  
(b). SHELL PEG SOLDERING SURFACE PLATE GOLD FLASH UNDER PLATE  
1~3 MICROMETER (39~118 μ) NICKEL PLATING OVERALL.  
(c). SHELL PLATE 2.0~4.0 MICROMETER (79~158 μ) TIN UNDER PLATE  
1.27~3.0 MICROMETER (50~118 μ) NICKEL OVERALL
- SOLDERTAIL COPLANARITY 0.10 MAX.
- PS REFER TO PS-47272-001



RECOMMENDED PCB LAYOUT (THICKNESS=1.6±0.15)

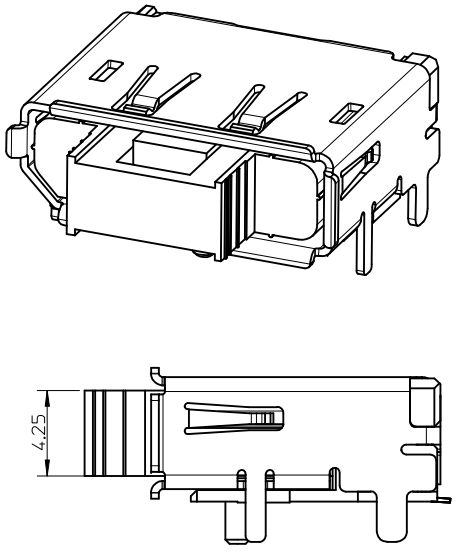
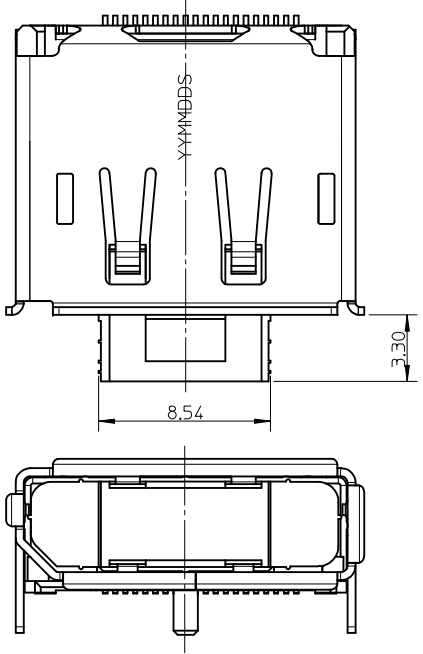


REVISED EC NO: SH2015-0381 DRWNR: ZHANG CHKD: APPR: AYIN	DESCRIPTION 2015/03/19 2015/04/29	QUALITY SYMBOLS F=0 F=0 F=0	GENERAL TOLERANCES (UNLESS SPECIFIED)		DIMENSION STYLE	SCALE	DESIGN UNITS	THIRD ANGLE PROJECTION		
			mm	INCH	MM ONLY	1:1	METRIC			
			4 PLACES ± ---	± ---	DRAWN BY	DATE	TITLE	1.0MM PITCH DISPLAY PORT RECEPTACLE ASSEMBLY		
			3 PLACES ± ---	± ---	RZHANG	2005/07/01				
2 PLACES ± 0.25	± ---	CHECKED BY	DATE	MOLEX INCORPORATED						
1 PLACE ± 0.25	± ---	IWANG	2005/07/01							
ANGULAR ± 3 °			APPROVED BY		DATE	SD-47272-001				
RZHANG		2010/03/26	MATERIAL NO.		DOCUMENT NO.				SHEET NO.	
DRAFT WHERE APPLICABLE MUST REMAIN WITHIN DIMENSIONS			SEE SHEET 8		1 OF 8					
THIS DRAWING CONTAINS INFORMATION THAT IS PROPRIETARY TO MOLEX INCORPORATED AND SHOULD NOT BE USED WITHOUT WRITTEN PERMISSION										

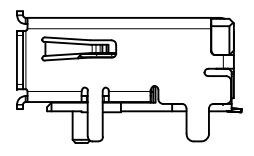
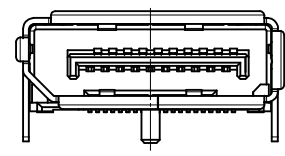
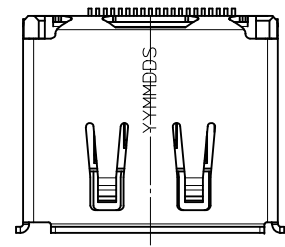
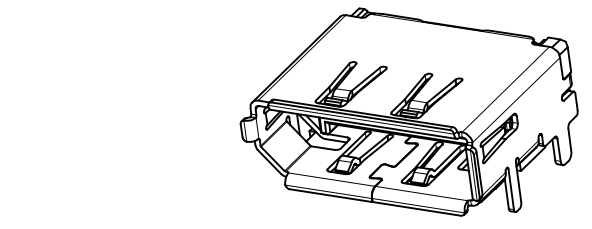
9 8 7 6 5 4 3 2 1

10 9 8 7 6 5 4 3 2 1

WITH COVER



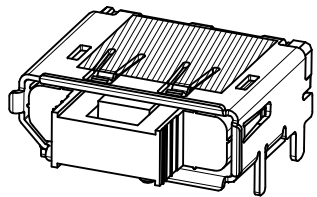
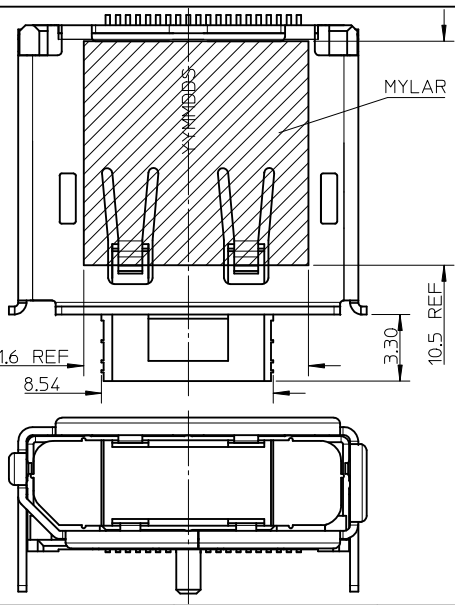
WITHOUT LATCH HOLE



- NOTES:  
 1.UNSPECIFIED DIMENSION ARE SAME AS SHEET1  
 2.CONNECTOR WITH COVER IS USED FOR WARE SOLDERING PEG

- NOTES:  
 1.UNSPECIFIED DIMENSION ARE SAME AS SHEET1

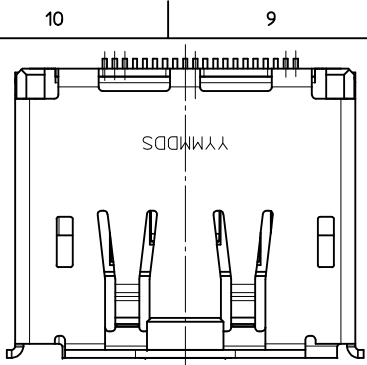
WITH COVER AND MYLAR



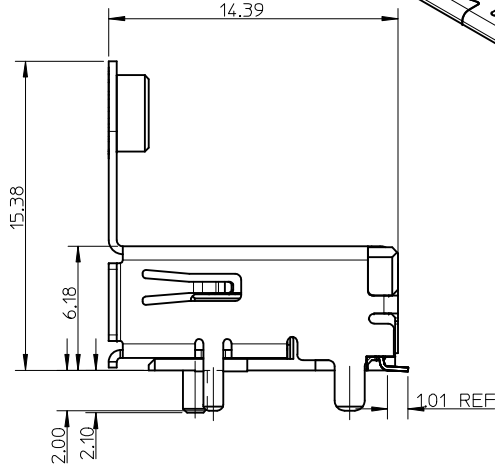
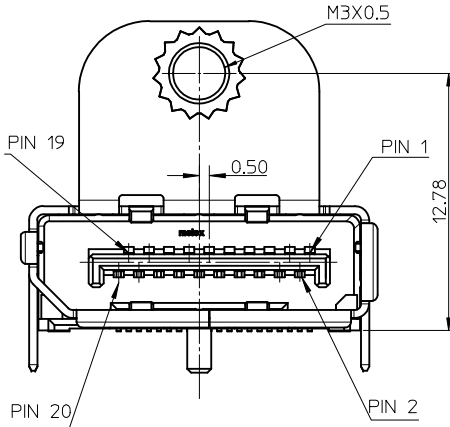
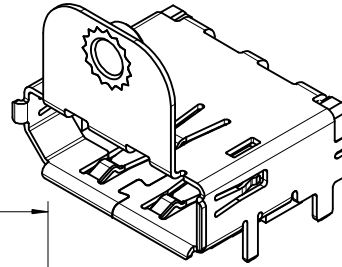
- NOTES:  
 1.UNSPECIFIED DIMENSION ARE SAME AS SHEET1  
 2.CONNECTOR WITH COVER IS USED FOR WARE SOLDERING PEG

REVISED EC NO: SH2015-0381 DRW: RZHANG CHKD: APPR: AYIN 2015/03/19 2015/04/29	QUALITY SYMBOLS $F_{\Delta}=0$ $F_{\Delta}=0$ $F_{\Delta}=0$	GENERAL TOLERANCES (UNLESS SPECIFIED)		DIMENSION STYLE MM ONLY	SCALE 1:1	DESIGN UNITS METRIC	THIRD ANGLE PROJECTION		
		4 PLACES $\pm$ --- $\pm$ ---	3 PLACES $\pm$ --- $\pm$ ---	2 PLACES $\pm 0.25$ $\pm$ ---	1 PLACE $\pm 0.25$ $\pm$ ---	DRAWN BY RZHANG	DATE 2005/07/01	TITLE 1.0MM PITCH DISPLAY PORT RECEPTACLE ASSEMBLY	
		ANGULAR $\pm 3^{\circ}$		DRAFT WHERE APPLICABLE MUST REMAIN WITHIN DIMENSIONS		CHECKED BY IWANG	DATE 2005/07/01	MOLEX INCORPORATED	
		SEE SHEET 8		APPROVED BY RZHANG	DATE 2010/03/26	MATERIAL NO.	DOCUMENT NO.	SHEET NO.	

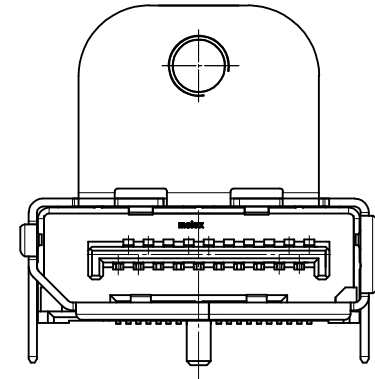
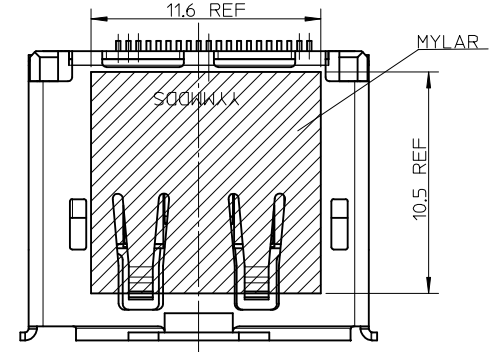
9 8 7 6 5 4 3 2 1



WITH FLANGE AND THROUGH HOLE PEG

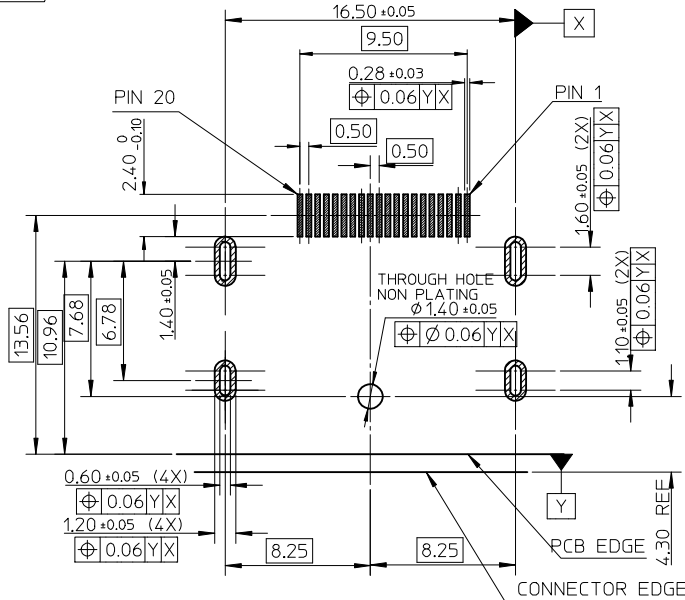


WITH MYLAR



NOTES:  
UNSPECIFIED DIMENSION ARE SAME AS SHEET1

NOTES:  
UNSPECIFIED DIMENSION ARE SAME AS SHEET1



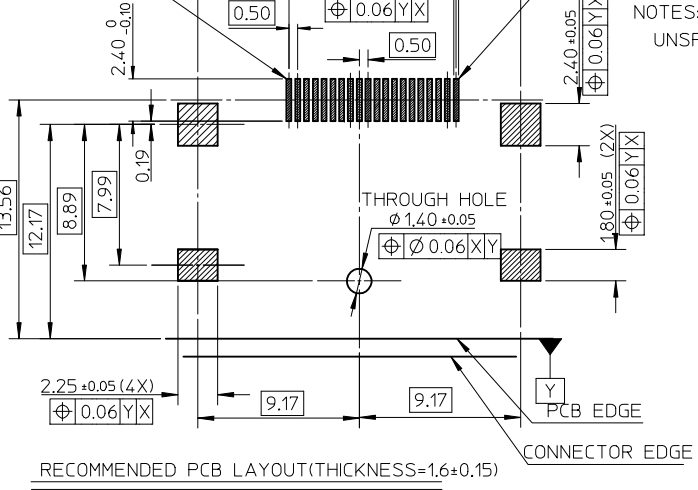
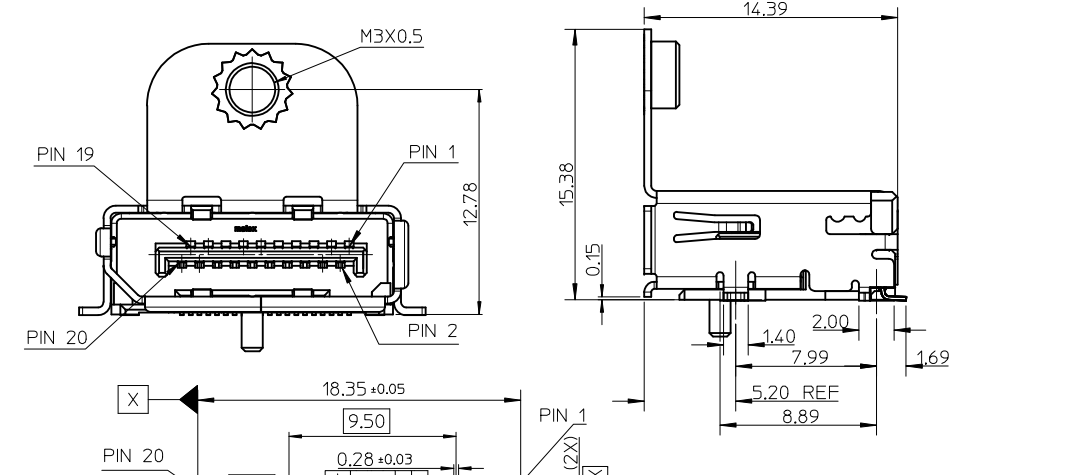
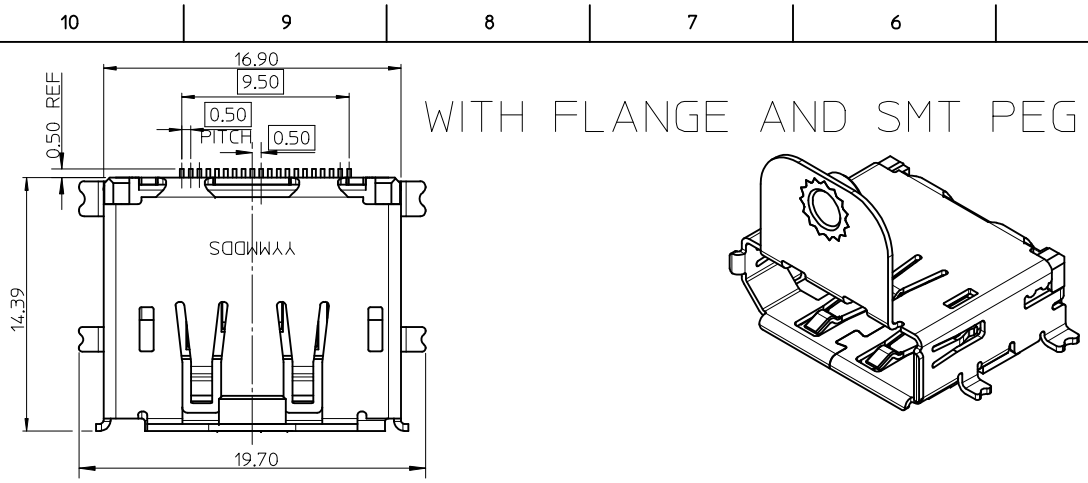
RECOMMENDED PCB LAYOUT (THICKNESS=1.6±0.15)

REVISED	EC NO: SH2015-0381	2015/03/19	2015/04/29
DRW: RZHANG	CHKD:	APPR: AYIN	DESCRIPTION
3			

QUALITY SYMBOLS	▽ F = 0	▽ F = 0	▽ F = 0
	GENERAL TOLERANCES (UNLESS SPECIFIED)		
		mm	INCH
	4 PLACES	± ---	± ---
	3 PLACES	± ---	± ---
2 PLACES	± 0.25	± ---	
1 PLACE	± 0.25	± ---	
ANGULAR ± 3 °			
DRAFT WHERE APPLICABLE MUST REMAIN WITHIN DIMENSIONS			

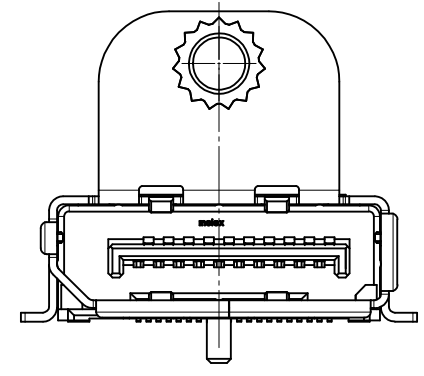
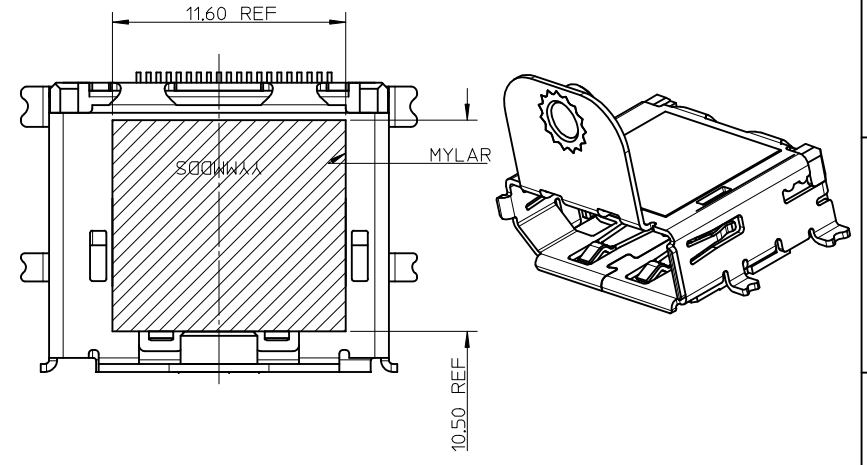
DIMENSION STYLE		SCALE	DESIGN UNITS	THIRD ANGLE PROJECTION
MM ONLY		1:1	METRIC	
DRAWN BY	DATE	TITLE		
RZHANG	2005/07/01	1.0MM PITCH DISPLAY PORT RECEPTACLE ASSEMBLY		
CHECKED BY	DATE	MOLEX INCORPORATED		
IWANG	2005/07/01	SD-47272-001		
APPROVED BY	DATE	SHEET NO.		
RZHANG	2010/03/26	3 OF 8		
MATERIAL NO.		DOCUMENT NO.		
SEE SHEET 8				

DRAWN BY				DATE	TITLE	
RZHANG				2005/07/01	1.0MM PITCH DISPLAY PORT RECEPTACLE ASSEMBLY	
CHECKED BY				DATE	MOLEX INCORPORATED	
IWANG				2005/07/01	SD-47272-001	
APPROVED BY				DATE	SHEET NO.	
RZHANG				2010/03/26	3 OF 8	
MATERIAL NO.				DOCUMENT NO.		
SEE SHEET 8						



NOTES:  
UNSPECIFIED DIMENSION ARE SAME AS SHEET 1

WITH FLANGE AND MYLAR

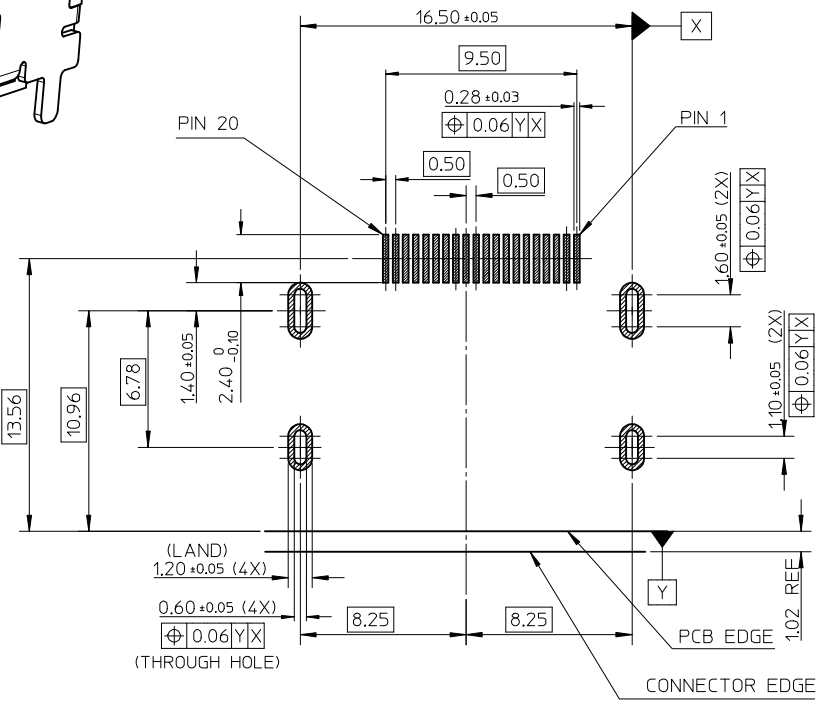
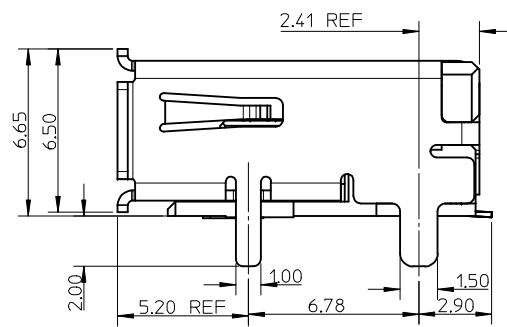
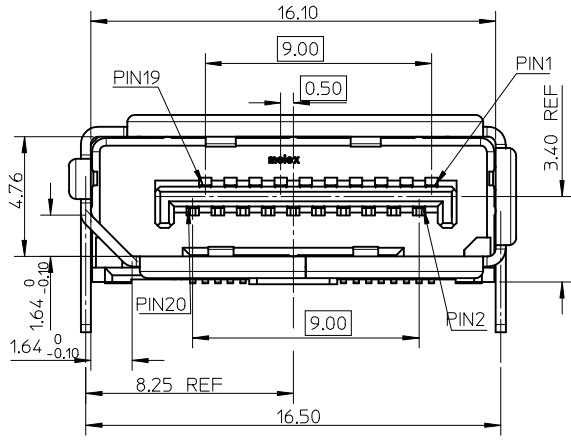
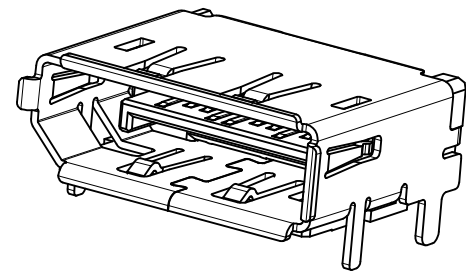
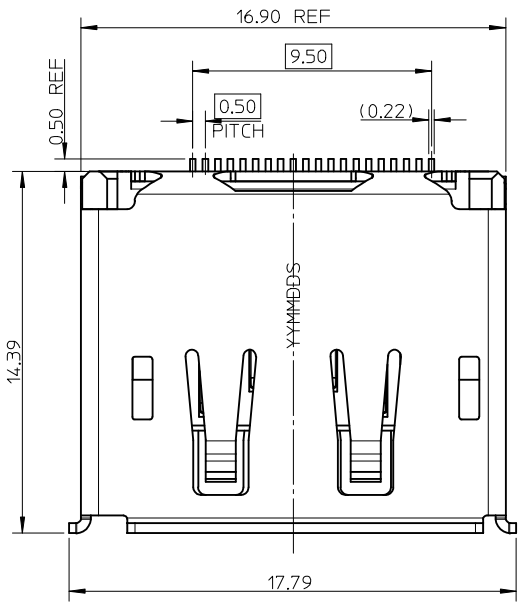


NOTES:  
1. UNSPECIFIED DIMENSION ARE SAME AS SHEET 1  
2. THE RECOMMENDER PCB ARE SAME AS LEFT RECOMMENDER PCB

REVISED EC NO: SH2015-0381 DRAWN: RZHANG CHKD: APPR: AYIN REV	DESCRIPTION 2015/03/19 2015/04/29	QUALITY SYMBOLS	GENERAL TOLERANCES (UNLESS SPECIFIED)		DIMENSION STYLE	SCALE	DESIGN UNITS	THIRD ANGLE PROJECTION
		▽=0	mm	INCH	MM ONLY	1:1	METRIC	
		▽=0	4 PLACES ± --- ± ---		DRAWN BY	DATE	TITLE	
		▽=0	3 PLACES ± --- ± ---		RZHANG	2005/07/01	1.0MM PITCH DISPLAY PORT RECEPTACLE ASSEMBLY	
		ANGULAR ± 3 °	2 PLACES ± 0.25 ± ---	CHECKED BY	DATE			
			1 PLACE ± 0.25 ± ---	IWANG	2005/07/01			
				APPROVED BY	DATE			
				RZHANG	2010/03/26			
				MATERIAL NO.		MOLEX INCORPORATED		
						SD-47272-001		
							SHEET NO.	
							4 OF 8	

10 9 8 7 6 5 4 3 2 1

WITHOUT POST

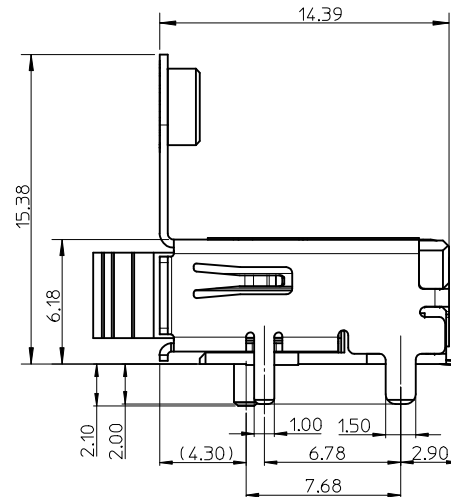
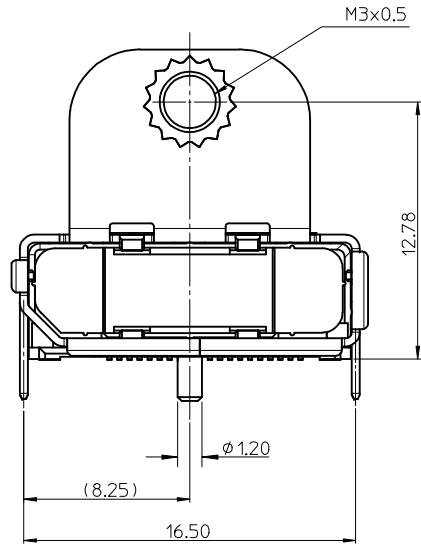
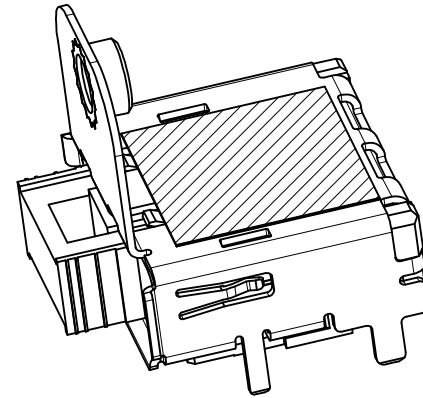
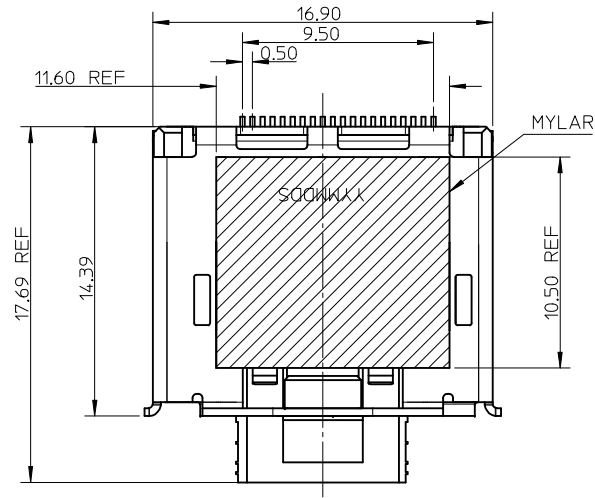


RECOMMENDED PCB LAYOUT (THICKNESS=1.6±0.15)

NOTES:  
UNSPECIFIED DIMENSION ARE SAME AS SHEET1

REVISED EC NO: SH2015-0381 DRWR:RZHANG CHKD: APPR:AYIN	DESCRIPTION REV	2015/03/19	2015/04/29	QUALITY SYMBOLS	GENERAL TOLERANCES (UNLESS SPECIFIED)		DIMENSION STYLE MM ONLY		SCALE 1:1	DESIGN UNITS METRIC	THIRD ANGLE PROJECTION	
				▽=0	mm	INCH	DRAWN BY RZHANG	DATE 2005/07/01	TITLE 1.0MM PITCH DISPLAY PORT RECEPTACLE ASSEMBLY			
				▽=0	4 PLACES ± --- ± ---	3 PLACES ± --- ± ---	2 PLACES ± 0.25 ± ---	1 PLACE ± 0.25 ± ---	CHECKED BY IWANG	DATE 2005/07/01		
				▽=0	ANGULAR ± 3 °		APPROVED BY RZHANG		DATE 2010/03/26	MOLEX INCORPORATED		
				DRAFT WHERE APPLICABLE MUST REMAIN WITHIN DIMENSIONS		SEE SHEET 8		MATERIAL NO.	DOCUMENT NO. SD-47272-001	SHEET NO. 5 OF 8		
THIS DRAWING CONTAINS INFORMATION THAT IS PROPRIETARY TO MOLEX INCORPORATED AND SHOULD NOT BE USED WITHOUT WRITTEN PERMISSION												

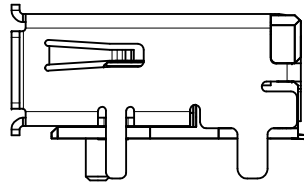
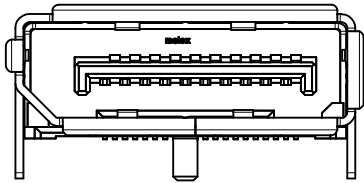
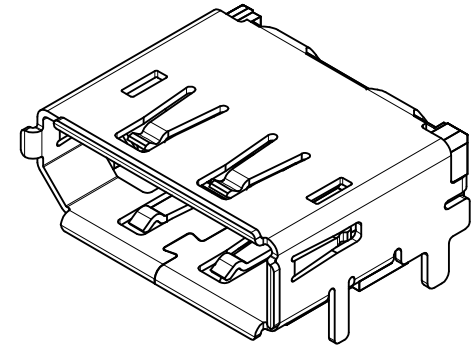
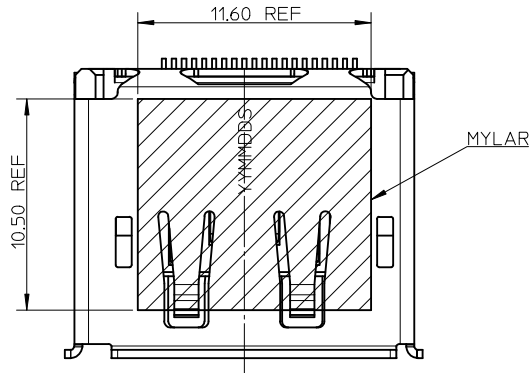
9 8 7 6 5 4 3 2 1



- NOTES:
1. UNSPECIFIC DIMENSION ARE SAME AS SHEET1
  2. THE RECOMMENDER PCB ARE SAME AS SHEET1

REVISED EC NO: SH2015-0381 DRAWN: RZHANG CHKD: APPR: AYIN	DESCRIPTION REV	QUALITY SYMBOLS		GENERAL TOLERANCES (UNLESS SPECIFIED)		DIMENSION STYLE MM ONLY		SCALE 1:1	DESIGN UNITS METRIC	THIRD ANGLE PROJECTION		
		$\nabla = 0$	$\nabla = 0$	$\nabla = 0$	mm	INCH	DRAWN BY RZHANG	DATE 2005/07/01	TITLE 1.0MM PITCH DISPLAY PORT RECEPTACLE ASSEMBLY			
		$\nabla = 0$	$\nabla = 0$	$\nabla = 0$	4 PLACES	$\pm$ ---	$\pm$ ---	CHECKED BY IWANG	DATE 2005/07/01	MOLEX INCORPORATED		
		$\nabla = 0$	$\nabla = 0$	$\nabla = 0$	3 PLACES	$\pm$ ---	$\pm$ ---	APPROVED BY RZHANG	DATE 2010/03/26	DOCUMENT NO. SD-47272-001		SHEET NO. 6 OF 8
				1 PLACE	$\pm$ 0.25	$\pm$ ---	MATERIAL NO. SEE SHEET 8		THIS DRAWING CONTAINS INFORMATION THAT IS PROPRIETARY TO MOLEX INCORPORATED AND SHOULD NOT BE USED WITHOUT WRITTEN PERMISSION			
				ANGULAR $\pm 3^\circ$		DRAFT WHERE APPLICABLE MUST REMAIN WITHIN DIMENSIONS						

STANDARD TYPE WITH MYLAR



NOTES:

- 1. UNSPECIFIC DIMENSION ARE SAME AS SHEET1
- 2. THE RECOMMENDER PCB ARE SAME AS SHEET1

REVISED EC NO: SH2015-0381 DRWR:RZHANG 2015/03/19 CHKD: APPR:AYIN 2015/04/29	DESCRIPTION REV	QUALITY SYMBOLS	GENERAL TOLERANCES (UNLESS SPECIFIED)		DIMENSION STYLE MM ONLY		SCALE 4:1	DESIGN UNITS METRIC	THIRD ANGLE PROJECTION																										
		$\nabla = 0$ $\nabla = 0$ $\nabla = 0$	<table border="1"> <tr> <td></td> <td>mm</td> <td>INCH</td> </tr> <tr> <td>4 PLACES</td> <td>± ---</td> <td>± ---</td> </tr> <tr> <td>3 PLACES</td> <td>± ---</td> <td>± ---</td> </tr> <tr> <td>2 PLACES</td> <td>± 0.25</td> <td>± ---</td> </tr> <tr> <td>1 PLACE</td> <td>± 0.25</td> <td>± ---</td> </tr> </table>		mm	INCH	4 PLACES	± ---	± ---	3 PLACES	± ---	± ---	2 PLACES	± 0.25	± ---	1 PLACE	± 0.25	± ---	<table border="1"> <tr> <td>DRAWN BY</td> <td>DATE</td> </tr> <tr> <td>RZHANG</td> <td>2005/07/01</td> </tr> <tr> <td>CHECKED BY</td> <td>DATE</td> </tr> <tr> <td>IWANG</td> <td>2005/07/01</td> </tr> <tr> <td>APPROVED BY</td> <td>DATE</td> </tr> <tr> <td>RZHANG</td> <td>2010/03/26</td> </tr> </table>	DRAWN BY	DATE	RZHANG	2005/07/01	CHECKED BY	DATE	IWANG	2005/07/01	APPROVED BY	DATE	RZHANG	2010/03/26	TITLE		1.0MM PITCH DISPLAY PORT RECEPTACLE ASSEMBLY	
			mm	INCH																															
		4 PLACES	± ---	± ---																															
3 PLACES	± ---	± ---																																	
2 PLACES	± 0.25	± ---																																	
1 PLACE	± 0.25	± ---																																	
DRAWN BY	DATE																																		
RZHANG	2005/07/01																																		
CHECKED BY	DATE																																		
IWANG	2005/07/01																																		
APPROVED BY	DATE																																		
RZHANG	2010/03/26																																		
DRAFT WHERE APPLICABLE MUST REMAIN WITHIN DIMENSIONS					MATERIAL NO. SEE SHEET 8		DOCUMENT NO. SD-47272-001		SHEET NO. 7 OF 8																										

10 9 8 7 6 5 4 3 2 1

F

E

D

C

B

A

PART NO.	COVER	FLANGE (SCREW)	PEG OF SHELL	PLATING IN CONTACT AREA	SHELL PLATING	LATCH HOLE	MYLAR	POST	PACKAGE	REMARK	SHELL MATERIAL	
472720001	WITHOUT	WITHOUT	THROUGH HOLE PEG	SEE NOTE2(1)	SEE NOTE2(a)	WITH	WITHOUT	WITH	PK-47272-001	FOR SHEET 1	STAINLESS STEEL	
472720011	WITHOUT	WITHOUT	THROUGH HOLE PEG	SEE NOTE2(2)	SEE NOTE2(a)	WITH	WITHOUT	WITH	PK-47272-001			
472720021	WITHOUT	WITHOUT	THROUGH HOLE PEG	SEE NOTE2(3)	SEE NOTE2(a)	WITH	WITHOUT	WITH	PK-47272-001			
472720003	WITHOUT	WITHOUT	THROUGH HOLE PEG	SEE NOTE2(1)	SEE NOTE2(a)	WITHOUT	WITHOUT	WITH	PK-47272-001	FOR SHEET 2		
472721002	WITH	WITHOUT	THROUGH HOLE PEG	SEE NOTE2(1)	SEE NOTE2(a)	WITH	WITHOUT	WITH	PK-47272-001			
472720012	WITH	WITHOUT	THROUGH HOLE PEG	SEE NOTE2(2)	SEE NOTE2(a)	WITH	WITHOUT	WITH	PK-47272-001			
472720022	WITH	WITHOUT	THROUGH HOLE PEG	SEE NOTE2(3)	SEE NOTE2(a)	WITH	WITHOUT	WITH	PK-47272-001			
472720024	WITH	WITHOUT	THROUGH HOLE PEG	SEE NOTE2(1)	SEE NOTE2(a)	WITH	WITH	WITH	PK-47272-001	FOR SHEET 3		PHOSPHOR BRONZE
472720004	WITH	WITH	THROUGH HOLE PEG	SEE NOTE2(1)	SEE NOTE2(c)	WITH	WITHOUT	WITH	PK-47272-005			
472721004	WITHOUT	WITH	THROUGH HOLE PEG	SEE NOTE2(1)	SEE NOTE2(c)	WITH	WITHOUT	WITH	PK-47272-003			
472720025	WITHOUT	WITH	THROUGH HOLE PEG	SEE NOTE2(1)	SEE NOTE2(c)	WITH	WITH	WITH	PK-47272-003			
472720028	WITHOUT	WITH	THROUGH HOLE PEG	SEE NOTE2(3)	SEE NOTE2(c)	WITH	WITH	WITH	PK-47272-003			
472721005	WITHOUT	WITH	SMT PEG	SEE NOTE2(1)	SEE NOTE2(c)	WITH	WITHOUT	WITH	PK-47272-003	FOR SHEET 4		
472720023	WITHOUT	WITH	SMT PEG	SEE NOTE2(1)	SEE NOTE2(c)	WITH	WITH	WITH	PK-47272-003	FOR SHEET 5	STAINLESS STEEL	
472720026	WITHOUT	WITHOUT	THROUGH HOLE PEG	SEE NOTE2(1)	SEE NOTE2(a)	WITH	WITHOUT	WITHOUT	PK-47272-001	FOR SHEET 6	PHOSPHOR BRONZE	
472720027	WITH	WITH	THROUGH HOLE PEG	SEE NOTE2(1)	SEE NOTE2(c)	WITH	WITH	WITH	PK-47272-005	FOR SHEET 7	STAINLESS STEEL	
472720029	WITHOUT	WITHOUT	THROUGH HOLE PEG	SEE NOTE2(1)	SEE NOTE2(a)	WITH	WITH	WITH	PK-47272-001	FOR SHEET 1		
472720121	WITHOUT	WITHOUT	THROUGH HOLE PEG	SEE NOTE2(1)	SEE NOTE2(a)	WITH	WITHOUT	WITH	PK-47272-121	FOR SHEET 3	PHOSPHOR BRONZE	
472721014	WITHOUT	WITH	THROUGH HOLE PEG	SEE NOTE2(2)	SEE NOTE2(c)	WITH	WITHOUT	WITH	PK-47272-003	FOR SHEET 2	STAINLESS STEEL	



REVISED EIC NO: SH2015-0381 DRAWN: RZHANG CHKD: APPR: AXIN	2015/03/19 2015/04/29	DESCRIPTION REV	QUALITY SYMBOLS	GENERAL TOLERANCES (UNLESS SPECIFIED)	DIMENSION STYLE	SCALE	DESIGN UNITS	THIRD ANGLE PROJECTION			
			$F_A=0$ $F_G=0$ $F_B=0$	mm    INCH 4 PLACES ± --- ± --- 3 PLACES ± --- ± --- 2 PLACES ± 0.25 ± --- 1 PLACE ± 0.25 ± --- ANGULAR ± 3 °	MM ONLY	1:1	METRIC	DRAWN BY: RZHANG    DATE: 2005/07/01 CHECKED BY: IWANG    DATE: 2005/07/01 APPROVED BY: RZHANG    DATE: 2010/03/26	TITLE	1.0MM PITCH DISPLAY PORT RECEPTACLE ASSEMBLY	
				DRAFT WHERE APPLICABLE MUST REMAIN WITHIN DIMENSIONS	SEE CHART	MOLEX	MOLEX INCORPORATED	DOCUMENT NO.	SD-47272-001	SHEET NO.	8 OF 8
								THIS DRAWING CONTAINS INFORMATION THAT IS PROPRIETARY TO MOLEX INCORPORATED AND SHOULD NOT BE USED WITHOUT WRITTEN PERMISSION			

9 8 7 6 5 4 3 2 1





Компания «ЭлектроПласт» предлагает заключение долгосрочных отношений при поставках импортных электронных компонентов на взаимовыгодных условиях!

Наши преимущества:

- Оперативные поставки широкого спектра электронных компонентов отечественного и импортного производства напрямую от производителей и с крупнейших мировых складов;
- Поставка более 17-ти миллионов наименований электронных компонентов;
- Поставка сложных, дефицитных, либо снятых с производства позиций;
- Оперативные сроки поставки под заказ (от 5 рабочих дней);
- Экспресс доставка в любую точку России;
- Техническая поддержка проекта, помощь в подборе аналогов, поставка прототипов;
- Система менеджмента качества сертифицирована по Международному стандарту ISO 9001;
- Лицензия ФСБ на осуществление работ с использованием сведений, составляющих государственную тайну;
- Поставка специализированных компонентов (Xilinx, Altera, Analog Devices, Intersil, Interpoint, Microsemi, Aeroflex, Peregrine, Syfer, Eurofarad, Texas Instrument, Miteq, Cobham, E2V, MA-COM, Hittite, Mini-Circuits, General Dynamics и др.);

Помимо этого, одним из направлений компании «ЭлектроПласт» является направление «Источники питания». Мы предлагаем Вам помощь Конструкторского отдела:

- Подбор оптимального решения, техническое обоснование при выборе компонента;
- Подбор аналогов;
- Консультации по применению компонента;
- Поставка образцов и прототипов;
- Техническая поддержка проекта;
- Защита от снятия компонента с производства.



#### Как с нами связаться

**Телефон:** 8 (812) 309 58 32 (многоканальный)

**Факс:** 8 (812) 320-02-42

**Электронная почта:** [org@eplast1.ru](mailto:org@eplast1.ru)

**Адрес:** 198099, г. Санкт-Петербург, ул. Калинина, дом 2, корпус 4, литера А.