

| FCI PART NUMBER | DESCRIPTION | NOTES |
|-----------------|--|-------------|
| 10123416-XXXXLF | CONTROLLER TO CONTROLLER CONFIGURATION | SEE TABLE 2 |

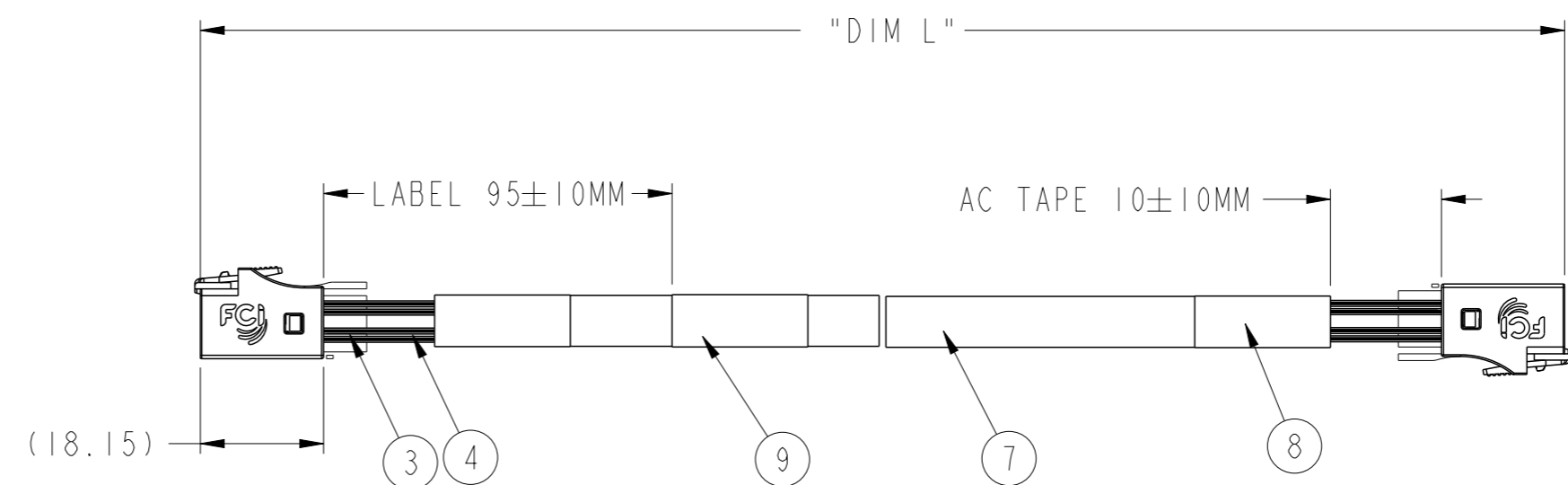
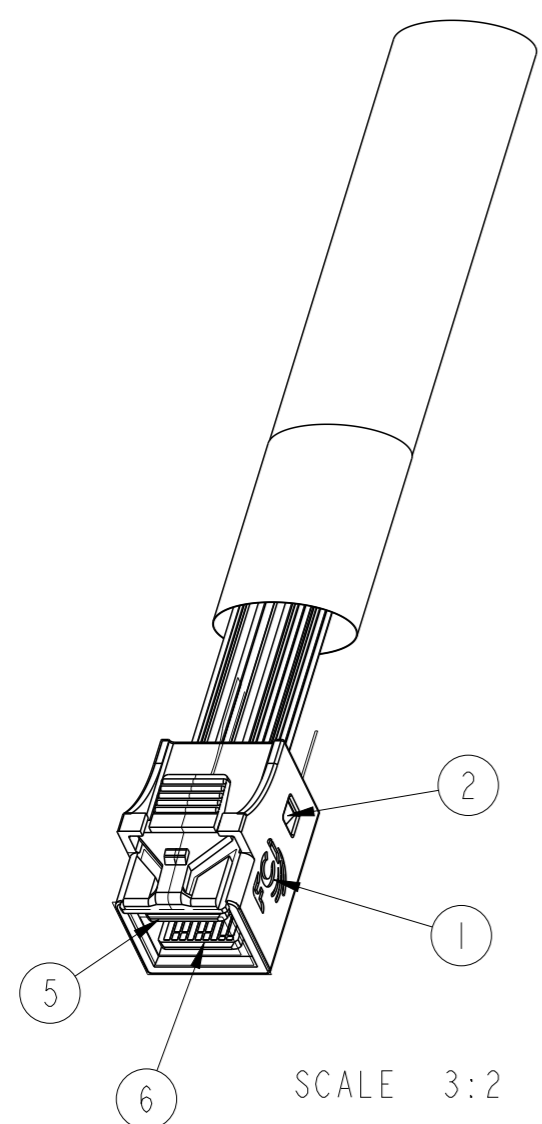


TABLE 1 - BILL OF MATERIALS

| ITEM | DESCRIPTION | QTY | NOTES |
|------|--------------------------------------|-----|-------------|
| 1 | mSAS HD INTERNAL HOUSING- SHORT | 2 | |
| 2 | mSAS HD INTERNAL PCB INSERT- SHORT | 2 | |
| 3 | FLAT RIBBON CABLE GPPG (30 AWG) | A/R | SEE TABLE 2 |
| 4 | SIDE BAND FLAT RIBBON CABLE (30 AWG) | A/R | |
| 5 | mSAS HD INTERNAL LOWER (A-B) PCB | 2 | |
| 6 | mSAS HD INTERNAL UPPER (C-D) PCB | 2 | |
| 7 | PLASTIC BRAID | A/R | |
| 8 | ACETATE TAPE 20mm BLACK | A/R | |
| 9 | LABEL | 1 | SEE NOTE 5 |
| 10 | 3525 LOCTITE | A/R | NOT SHOWN |

| | | | | | | | | | | |
|---------------------------------------|---------------------|------|-------------|------------|------------------------------------|----|--------------|----|---------------|-----|
| spec ref | - | dr | Andy Wu | 2013/01/03 | projection | mm | size | A3 | scale | 1:1 |
| tolerance std | ISO 406 ISO 1101 | eng | Andy Wu | 2013/01/17 | | | ecn no | | ELX-N-13885-1 | |
| TOLERANCES UNLESS OTHERWISE SPECIFIED | | chr | - | - | | | rel level | | Released | |
| surface | ✓ | appr | Roger Cheng | 2013/01/20 | product family | - | dwg no | | 10123416 | |
| ISO 1302 | linear | 0.X | ±0.3 | | mSAS HD INTERNAL (4i) | | rev | | B | |
| | | 0.XX | ±0.10 | | CABLE ASSEMBLY- 6 Gb/s, short type | | | | | |
| | angular | 0° | ±2° | | www.fci.com | | cat. no. | | - | |
| | | | | | Product - Customer Drw | | sheet 1 of 4 | | | |

| FCI PART NUMBER | DESCRIPTION | NOTES |
|-----------------|--|-------------|
| 10123416-XXXXLF | CONTROLLER TO CONTROLLER CONFIGURATION | SEE TABLE 2 |

| TABLE 2- CABLE PART NUMBER LIST | | | |
|---------------------------------|-------------------------------|-----|--|
| PART NUMBER | "DIM L" CABLE LENGTH (METERS) | AWG | NOTES |
| 10123416-2030LF | 0.3 | 30 | CONTROLLER TO CONTROLLER WIRING CONFIGURATION (SHEET 2) ---- (SEE SHEET 4 FOR ALL NOTES) |
| 10123416-2040LF | 0.4 | 30 | |
| 10123416-2050LF | 0.5 | 30 | |
| 10123416-2060LF | 0.6 | 30 | |
| 10123416-2070LF | 0.7 | 30 | |
| 10123416-2080LF | 0.8 | 30 | |
| 10123416-2090LF | 0.9 | 30 | |
| 10123416-2100LF | 1.0 | 30 | |

NOTE:

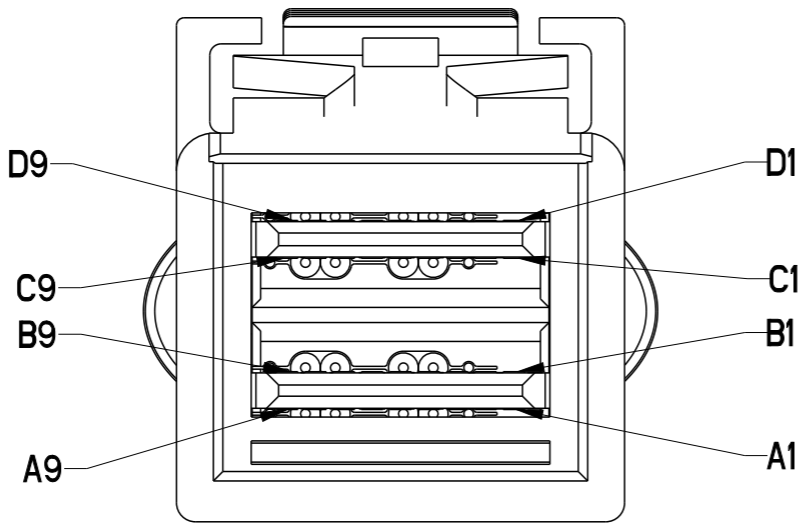
1. ALL CABLE PERFORMANCE COMPLIANCE SAS2.1
2. CABLE MORE THAN 1.0 METER COULD NOT MEET SAS2.1 INSERTION LOSS -6dB MAX.

| | | | | | | | | | | | |
|---------------------------------------|--|-------------|-------------|------------|------------------------|--------------|----------------|---|-----------|----------|---|
| spec ref | - | dr | Andy Wu | 2013/01/03 | projection | mm | size | A3 | scale | 1:2 | |
| tolerance std | ISO 406 ISO 1101 | eng | Andy Wu | 2013/01/17 | | ← → | ecn no | ELX-N-13885-1 | | | |
| TOLERANCES UNLESS OTHERWISE SPECIFIED | | chr | - | - | | | product family | - | rel level | Released | |
| surface | ISO 1302 | appr | Roger Cheng | 2013/01/20 | FCj | | title | mSAS HD INTERNAL (4i) CABLE ASSEMBLY- 6 Gb/s, short type | | rev | B |
| linear | 0.X ±0.3 0.XX ±0.10 0.XXX ±0.005 | www.fci.com | cat. no. | - | Product - Customer Drw | sheet 2 of 4 | dwg no | 10123416 | | | |
| angular | 0° ±2° | | | | | | | | | | |



Copyright FCI.

| FCI PART NUMBER | DESCRIPTION | NOTES |
|-----------------|--|-------------|
| 10123416-XXXXLF | CONTROLLER TO CONTROLLER CONFIGURATION | SEE TABLE 2 |



SCALE 5:1

| LEGEND | |
|--------|--------------------------------------|
| | HIGH-SPEED SERIAL DIFFERENTIAL PAIRS |
| | SIGNAL RETURN |
| | SIDEBAND SIGNAL |

| WIRING LIST (CONTROLLER TO CONTROLLER) | | | | |
|--|------------|-------|---------------------|------------|
| END P1 (CONTROLLER) | | | END P2 (CONTROLLER) | |
| POSITION | SYMBOL | | POSITION | SYMBOL |
| D9 | GROUND | ----- | B9 | GROUND |
| D8 | Tx2- | | B8 | Rx2- |
| D7 | Tx2+ | | B7 | Rx2+ |
| D6 | GROUND | ----- | B6 | GROUND |
| D5 | Tx0- | | B5 | Rx0- |
| D4 | Tx0+ | | B4 | Rx0+ |
| D3 | GROUND | ----- | B3 | GROUND |
| D2 | SIDEBAND 6 | | B2 | SIDEBAND 1 |
| D1 | SIDEBAND 5 | | C2 | SIDEBAND 2 |
| C1 | SIDEBAND 4 | | B1 | SIDEBAND 3 |
| C2 | SIDEBAND 2 | | D1 | SIDEBAND 5 |
| C3 | GROUND | ----- | A3 | GROUND |
| C4 | Tx1+ | | A4 | Rx1+ |
| C5 | Tx1- | | A5 | Rx1- |
| C6 | GROUND | ----- | A6 | GROUND |
| C7 | Tx3+ | | A7 | Rx3+ |
| C8 | Tx3- | | A8 | Rx3- |
| C9 | GROUND | ----- | A9 | GROUND |
| B9 | GROUND | ----- | D9 | GROUND |
| B8 | Rx2- | | D8 | Tx2- |
| B7 | Rx2+ | | D7 | Tx2+ |
| B6 | GROUND | ----- | D6 | GROUND |
| B5 | Rx0- | | D5 | Tx0- |
| B4 | Rx0+ | | D4 | Tx0+ |
| B3 | GROUND | ----- | D3 | GROUND |
| B2 | SIDEBAND 1 | | D2 | SIDEBAND 6 |
| B1 | SIDEBAND 3 | | C1 | SIDEBAND 4 |
| A1 | SIDEBAND 7 | | A2 | SIDEBAND 0 |
| A2 | SIDEBAND 0 | | A1 | SIDEBAND 7 |
| A3 | GROUND | ----- | C3 | GROUND |
| A4 | Rx1+ | | C4 | Tx1+ |
| A5 | Rx1- | | C5 | Tx1- |
| A6 | GROUND | ----- | C6 | GROUND |
| A7 | Rx3+ | | C7 | Tx3+ |
| A8 | Rx3- | | C8 | Tx3- |
| A9 | GROUND | ----- | C9 | GROUND |

| | | | | | | | | | | |
|---------------|---------------------------------------|------|-------------|------------|------------------------------------|----------|-----------|------------------------|--------------|-----|
| spec ref | - | dr | Andy Wu | 2013/01/03 | projection | mm | size | A3 | scale | 1:1 |
| tolerance std | ISO 406 ISO 1101 | eng | Andy Wu | 2013/01/17 | | ← → | ecn no | ELX-N-13885-1 | | |
| | TOLERANCES UNLESS OTHERWISE SPECIFIED | chr | - | - | product family | - | rel level | Released | | |
| surface | ✓ | appr | Roger Cheng | 2013/01/20 | mSAS HD INTERNAL (4i) | | dwg no | 10123416 | rev | B |
| | ISO 1302 | | | | CABLE ASSEMBLY- 6 Gb/s, short type | | | | | |
| | | | | | www.fci.com | cat. no. | - | Product - Customer Drw | sheet 3 of 4 | |

Copyright FCI.

NOTES:

- 1. MATERIAL:
HOUSINGS: MODIFIED POLYPHENYLENE ETHER
PADDLE CARD: PRINTED CIRCUIT SUBSTRATE
HEAT SHRINK TUBE: POLYOLEFIN
EPOXY LOCTITE
- 2. THIS PRODUCT MEETS THE RESTRICTION OF HAZARDOUS SUBSTANCES IN ELECTRICAL AND ELECTRONIC EQUIPMENT (RoHS) DIRECTIVE (2002/95/EC)
- 3. THIS DIMENSION IS A FINISHED PRODUCT LENGTH.
- 4. UNLESS OTHERWISE SPECIFIED ASSEMBLED LENGTH TOLERANCE IS TO BE:
"DIM L" < 1 METER = ±15mm
"DIM L" 1 METER TO 10 METERS = ± 2% OF "DIM L"
- 5. UNLESS OTHERWISE SPECIFIED LABEL POSITION IS TO BE 95mm FROM REAR OF PI CONNECTOR.
LABEL DETAILS:
MANUFACTURER CODE OR NAME COUNTRY OF ORIGIN
CUSTOMER P/N OR FCI P/N
REVISION
DATE CODE (YYYY/MM/DD FORMAT) - SERIAL NUMBER

FONT SHALL BE CLEARLY VISIBLE AND BLACK IN COLOR.
- 6. ALL CABLE ASSEMBLIES SHALL BE 100% TESTED FOR CONTINUITY AS DEFINED IN WIRING LIST.
- 7. ALL CABLE ASSEMBLIES SHALL BE 100% HI-POT TESTED BH APPLYING 300V DC FOR A MINIMUM OF 10ms.
- 8. IMPEDANCE: 100Ω DIFFERENTIAL.
- 9. OTHER TESTING PERFORMED AS REQUIRED BY PRODUCT SPECIFICATION: GS-12-650.
- 10. PACKAGE AND LABEL CABLE ASSEMBLIES PER GS-14-1272.
- 11. A "△" SYMBOL WILL BE NEXT TO ANY DIMENSION, VIEW, OR NOTE WHICH HAS BEEN MODIFIED WITH THE CURRENT DRAWING REVISION. THE CURRENT REVISION WILL BE SHOWN IN THE SYMBOL.
- 12. "HLF" PRODUCT NUMBERS DESIGNATE THE USE OF HALOGEN FREE RAW CABLE.
- 13. HALOGEN FREE RAW CABLE CAN BE USED AS A SUBSTITUTE ON NON-HF PRODUCT NUMBERS.
- 14. PART NUMBER/SUPPLIER SUBSTITUTION IS NOT ALLOWED.



Copyright FCI.

| | | | | | | | | | | | |
|--------------------------------------|-------|---------------------------------------|-------------|-----------------------|----------------|------------------------------------|------------------------|---------------|-------|-----|--|
| spec ref - | | dr | Andy Wu | 2013/01/03 | projection | mm | size | A3 | scale | 1:1 | |
| tolerance std ISO 406 ISO 1101 | | TOLERANCES UNLESS OTHERWISE SPECIFIED | | | | | ecn no | ELX-N-13885-1 | | | |
| surface ✓ | | eng | Andy Wu | 2013/01/17 | | | product family | - | | | |
| ISO 1302 | | chr | - | - | rel level | Released | | | | | |
| linear | 0.X | ±0.3 | | mSAS HD INTERNAL (4i) | cat. no. | - | Product - Customer Drw | sheet 4 of 4 | rev | B | |
| | 0.XX | ±0.10 | | | | | | | | | |
| | 0.XXX | ±0.005 | | | | | | | | | |
| angular | 0° | ±2° | www.fci.com | cat. no. | - | Product - Customer Drw | sheet 4 of 4 | rev | B | | |
| | | | | mSAS HD INTERNAL (4i) | | CABLE ASSEMBLY- 6 Gb/s, short type | | 10123416 | | | |



Компания «ЭлектроПласт» предлагает заключение долгосрочных отношений при поставках импортных электронных компонентов на взаимовыгодных условиях!

Наши преимущества:

- Оперативные поставки широкого спектра электронных компонентов отечественного и импортного производства напрямую от производителей и с крупнейших мировых складов;
- Поставка более 17-ти миллионов наименований электронных компонентов;
- Поставка сложных, дефицитных, либо снятых с производства позиций;
- Оперативные сроки поставки под заказ (от 5 рабочих дней);
- Экспресс доставка в любую точку России;
- Техническая поддержка проекта, помощь в подборе аналогов, поставка прототипов;
- Система менеджмента качества сертифицирована по Международному стандарту ISO 9001;
- Лицензия ФСБ на осуществление работ с использованием сведений, составляющих государственную тайну;
- Поставка специализированных компонентов (Xilinx, Altera, Analog Devices, Intersil, Interpoint, Microsemi, Aeroflex, Peregrine, Syfer, Eurofarad, Texas Instrument, Miteq, Cobham, E2V, MA-COM, Hittite, Mini-Circuits, General Dynamics и др.);

Помимо этого, одним из направлений компании «ЭлектроПласт» является направление «Источники питания». Мы предлагаем Вам помощь Конструкторского отдела:

- Подбор оптимального решения, техническое обоснование при выборе компонента;
- Подбор аналогов;
- Консультации по применению компонента;
- Поставка образцов и прототипов;
- Техническая поддержка проекта;
- Защита от снятия компонента с производства.



Как с нами связаться

Телефон: 8 (812) 309 58 32 (многоканальный)

Факс: 8 (812) 320-02-42

Электронная почта: org@eplast1.ru

Адрес: 198099, г. Санкт-Петербург, ул. Калинина, дом 2, корпус 4, литера А.