

Posistor® For Circuit Protection

1. Part Numbering (Part Number)

PT GL 05 AR 151 H 8P52 B0
 Product ID Series Dimensions Temperature Characteristics Resistance Resistance Tolerance Individual Specifications Packaging

2. Ratings

Bulk Part Number	Temperature characteristic	*1 Resistance Value at +25°C	Max. voltage	*2 Max. Current	*3 Hold current at +60°C	*4 Trip current at -10°C	Dimensions (mm)			
							D	T	F	d
PTGL05AR151H8P52B0	AR	150 ohm±25%	AC265 Vrms.	0.2Arms.	28mA	78mA	6.0	6.0	5.0	0.6
PTGL05AR151H8P52A0										
PTGL07AR700H8B52B0		70 ohm±25%		0.4Arms.	66mA	185mA	8.0	6.0	5.0	0.6
PTGL07AR700H8B52A0										
PTGL07AR650H8B52B0		65 ohm±25%		1.0Arms.	68mA	190mA	8.0	6.0	5.0	0.6
PTGL07AR650H8B52A0										
PTGL07AR450H8B52B0		45 ohm±25%		1.0Arms.	80mA	220mA	8.0	6.0	5.0	0.6
PTGL07AR450H8B52A0										
PTGL09AR250H8B52B0		25 ohm±25%		1.0Arms.	118mA	330mA	10.0	6.0	5.0	0.6
PTGL09AR250H8B52A0										
PTGL12AR150H8B72B0		15 ohm±25%		1.5Arms.	165mA	460mA	12.5	6.0	7.5	0.6
PTGL12AR150H8B72A0										
PTGL13AR100H8B72B0		10 ohm±25%		2.2Arms.	200mA	560mA	14.0	6.0	7.5	0.6
PTGL13AR100H8B72A0										
PTGL18AR6R0H8B72B0		6 ohm±25%		4.1Arms.	300mA	830mA	18.5	6.0	7.5	0.6
PTGL18AR6R0H8B72A0										
PTGL05AR181M9N51B0		180 ohm±20%		0.3Arms.	29mA	70mA	6.5	6.5	5.0	0.5
PTGL05AR181M9N51A0										
PTGL05AR121M9N51B0		120 ohm±20%		0.3Arms.	35mA	85mA	6.5	6.5	5.0	0.5
PTGL05AR121M9N51A0										
PTGL07AR820M9A51B0	82 ohm±20%	0.5Arms.	60mA	150mA	8.2	6.5	5.0	0.5		
PTGL07AR820M9A51A0										
PTGL07AR560M9A51B0	56 ohm±20%	0.8Arms.	80mA	190mA	8.2	6.5	5.0	0.5		
PTGL07AR560M9A51A0										
PTGL09AR390M9C61B0	39 ohm±20%	1.2Arms.	100mA	240mA	10.0	6.5	6.5	0.65		
PTGL09AR390M9C61A0										
PTGL12AR270M9C01B0	27 ohm±20%	1.5Arms.	150mA	360mA	14.0	6.5	10.0	0.65		
PTGL12AR270M9C01A0										
PTGL14AR180M9C01B0	18 ohm±20%	1.8Arms.	180mA	440mA	15.7	6.5	10.0	0.65		
PTGL14AR180M9C01A0										

*1 The resist. value is measured at a point of max. 2mm from the end of lead crimp.

*2 Shows the maximum current value which may be repeatedly introduced into Posistor when the circuit runs abnormally.

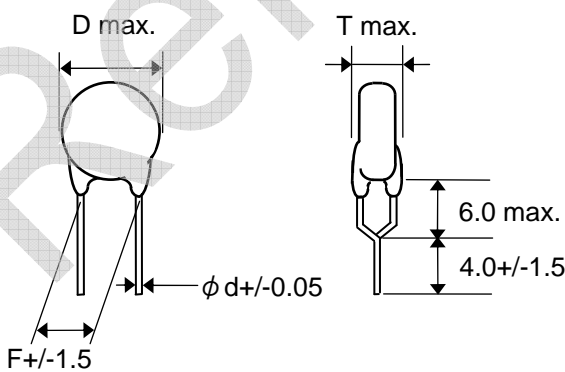
*3 Shows the maximum current value which be repeatedly introduced into Posistor when the circuit runs normally at 60°C.

*4 Shows the minimum current value which flows the circuit when Posistor protects it from over load at -10°C.

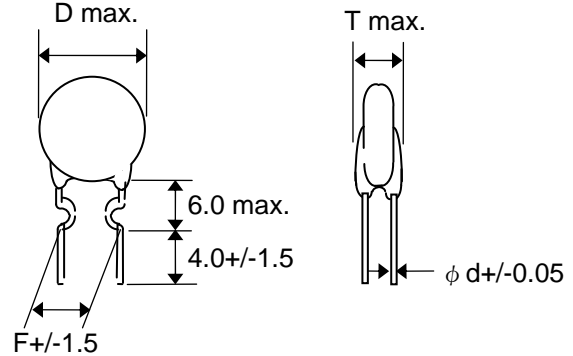
3. Dimensions(mm)

(Bulk type)

• PTGL*****2B0

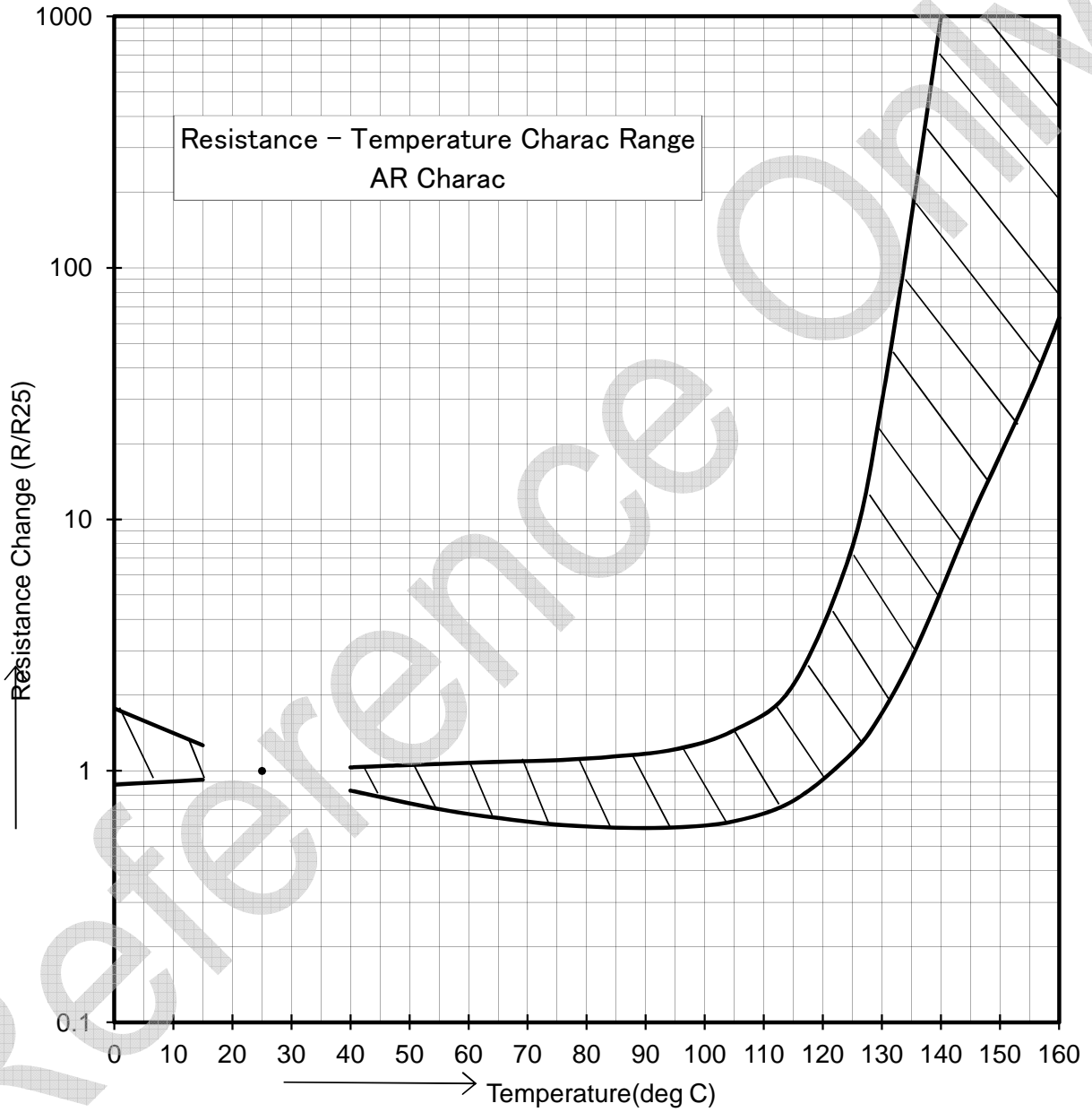


• PTGL*****1B0



(Taping type) Shown in Taping specification.

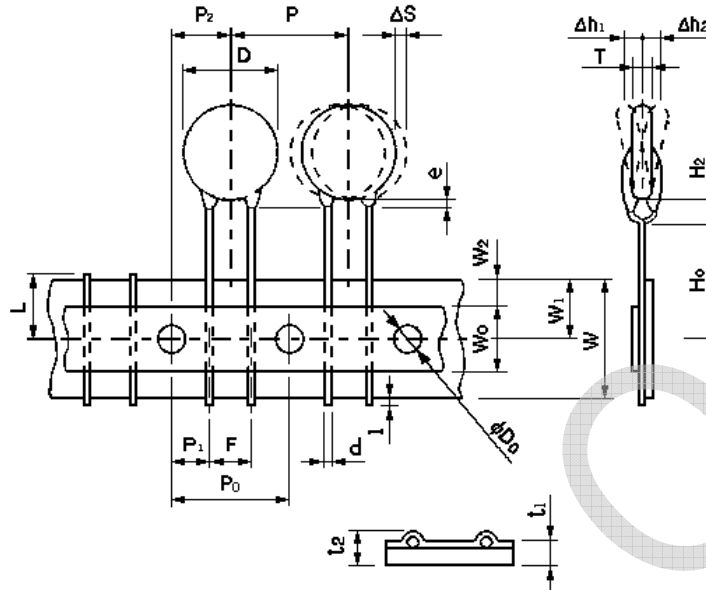
Note) Some part of resin covering lead wire of Posistor may come off by some outside shock on the root of lead wire, but Posistor can be used normally for electrical and reliability characteristics.



AR-030'

Taping Specification

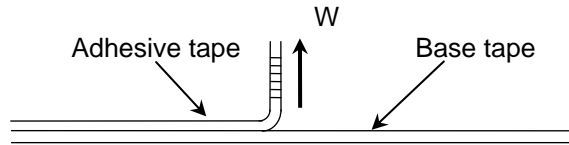
1. Dimensions of Taping



Item	Code	Dimensions	Note
Pitch of Component	P	12.7	Tolerance is determined by ΔS .
Pitch of Sprocket Hole	P0	12.7±0.3	
Lead Spacing	F	5.0 +0.8,-0.3	
Length from Hole Center to Component	P2	6.35±1.3	Deviation in the feeding direction
Length from Hole Center to Lead	P1	3.85±0.8	
Body Diameter	D	Refer to "2.Dimensions"	
Body Thickness	T	Refer to "2.Dimensions"	
Deviation along Tape. Left or Right	ΔS	±1.5	Including the inclination caused by lead bending.
Carrier Tape Width	W	18.0 ± 0.5	
Position of Sprocket Hole	W1	9.0 +0.5,-0.75	Deviation of tape width.
Lead Distance between Reference and Bottom Planes	H0	16.0 ± 1.0	
	H2	6.0 max.	
Overflow of Lead	l	+0.5 to -1.0	
Diameter of Sprocket Hole	D0	4.0±0.2	
Lead Diameter	d	0.6±0.05	
Total Tape Thickness	t1	0.6±0.3	t2=2.0 max.
Deviation across Tape	$\Delta h_1, \Delta h_2$	1.5 max.	
Portion to cut in Case of Defect	L	11.0+0,-2.0	
Hold Down Tape Width	w0	11.0 min,	
Hold Down Tape Position	w2	4.0 max.	
Coating Extension on Lead	e	Up to the crimp point	

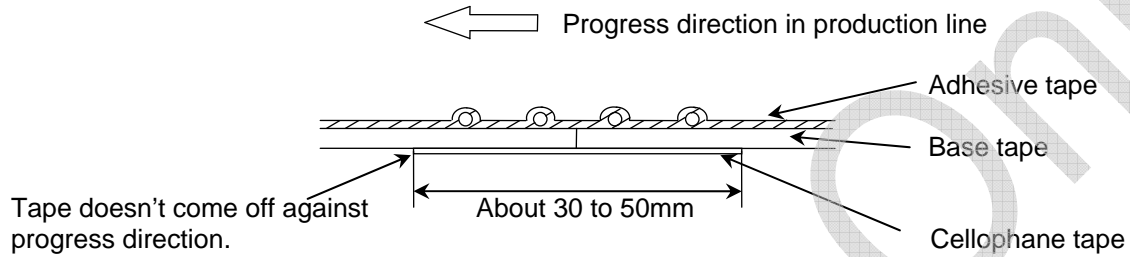
2. Splicing way of tape

2.1 Cohesive power of tape is over 2.94N at test condition as below figure.



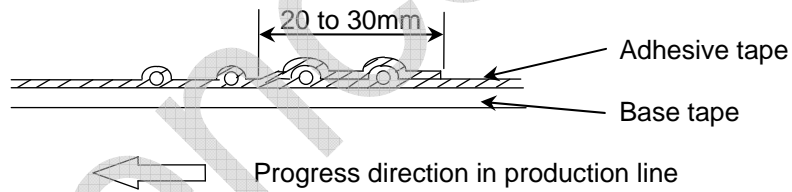
2.2 Splicing of tape

a. When base tape is spliced :



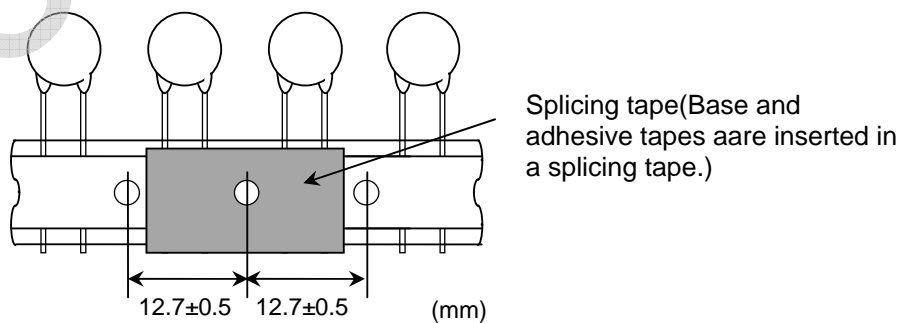
- ▣ Base tape shall be spliced by cellophane tape
- ▣ Total tape thickness shall be less than 1.05mm

b. When adhesive tape is spliced :



- ▣ Adhesive tape shall be spliced with overlapping.
- ▣ Total tape thickness shall be less than 1.05mm

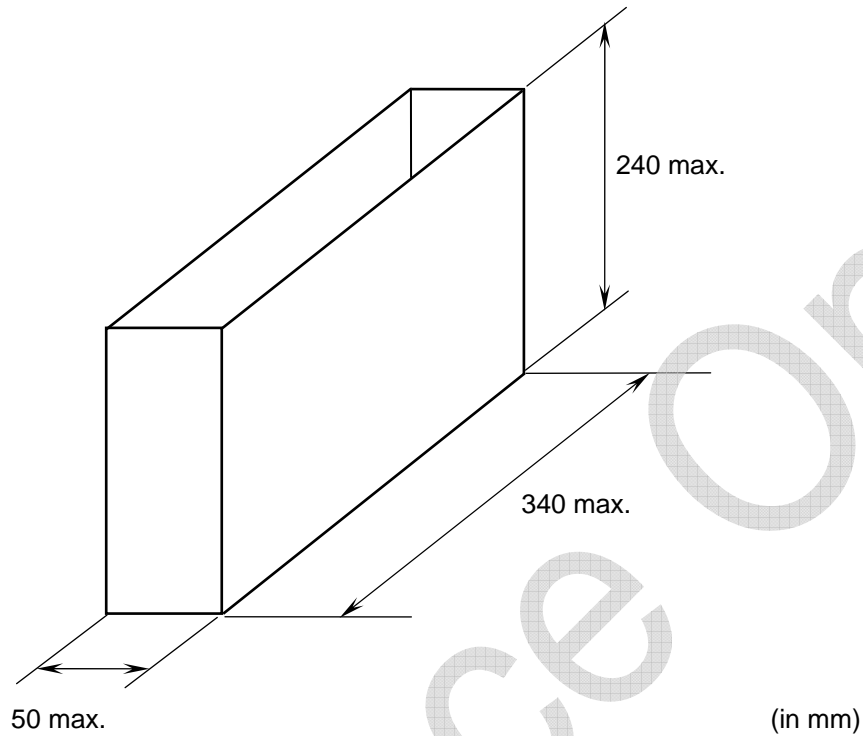
c. When both tape are spliced at a time :



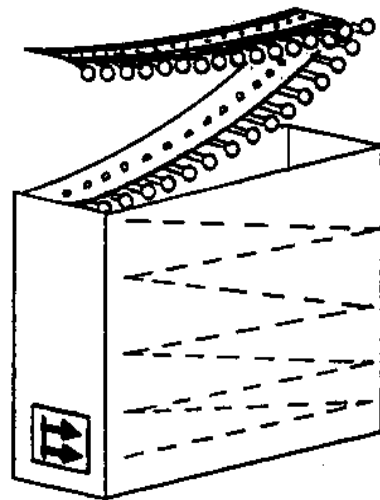
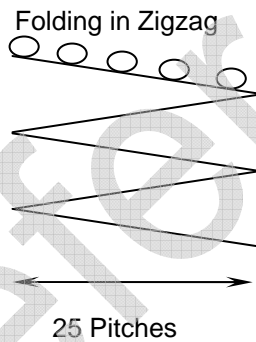
2.3 Packing specification (Ammo Pack)

The tape with Posistor is folded each 25 pitches and packed in zigzag into a packing case, when body of Posistor is piled on other body under it. Standard quantity in a case are 1000pcs..

The size of packing case



Packing way



When Posistor 's body is situated on your side, adhesive tape is situated the upside.

Notice for use

 **Caution**

1. This product is designed for application which is used under ordinary environment.(room temperature, normal humidity, normal pressure) Do not expose this to the following environments, because all these factor can deteriorate the characteristic of this and can cause failure or burn out.
 - (1) Corrosive gas or deoxidizing gas (Cl₂, H₂S, NH₃, SO_x, NO_x etc.)
 - (2) Volatile, flammable gas
 - (3) Dusty place
 - (4) Place in a vacuum, reducing or putting pressure
 - (5) Place in splashed water, or high humidity and dewing place
 - (6) Salt water, oil, chemical liquid and solvent
 - (7) Vibratile place
 - (8) Other place equivalent to the above

2. Limitation of Applications
Please contact us before using our products for the under-mentioned applications requiring especially high reliability in order to prevent defects which might directly cause damage to other party's life body or property(listed below).
 - (1)Aircraft equipment (2)Aerospace equipment (3)Undersea equipment (4)Power plant control equipment
 - (5)Medical equipment (6)Transportation equipment(automobiles, trains, ships, etc.)
 - (7)Traffic signal equipment (8)Disaster prevention / Crime prevention equipment
 - (9)Data-processing equipment (10)Applications of similar complexity or with reliability requirements comparable to the applications listed in the above.

3. Be sure to provide an appropriate fail-safe function on your product to prevent a second damage that may be caused by the abnormal function or the failure of our product.

Notice

1. Do not apply abnormal voltage/current exceeding the specified maximum value. Because they may deteriorate or destroy PTC element.
2. Use this product within the specified temperature. A higher temperature may deteriorate the characteristic or material.
3. When this product is operated, temperature of some area may be over 100°C to 160°C. Please make sure that surrounding parts and inserting material can withstand the temperature. If the surrounding part and material is kept under such condition, they may be deteriorated or may produce harmful gas(Cl₂, H₂S, NH₃, SO_x, NO_x etc.). And, such harmful gas may deteriorate the element.
4. The resin coating of this product is not for insulating purpose. Keep an adequate insulating distance to surrounding components.
5. This product does not have waterproof construction. A splashed water may cause failure mode such as deterioration of characteristic or current leak.
So, Do NOT apply cleaning to immerse it into water or any solvent.
6. If you coat this product by resin, please evaluate the quality of this product before you use it.
The stress of force which is caused by coating materials or heat cycles may cause failure mode such as deterioration of characteristic or current leak in worst case.
7. This product is using the solder of 221+/-5 °C of melting points, in order to connect ceramics with a lead wire. Do not heat up a terminal area of this product over 180 °C.
8. The ceramic element of this product is fragile, and care must be taken not to load a excessive pressforce or not to give a shock at handling. Such forces may cause cracking or chipping.

9. Do not apply an excessive force to the lead. Otherwise, it may cause break off the junction between lead and element, or may crack element. Therefore, hold of element side lead wire is recommended when lead wire is bent or cut.
10. When the lead of this product is soldered, pay attention as follows to avoid the decline of element characteristic or break down the element.
 - (1) Use Rosin type flux or non-activated flux(the content of chlorine shall be less than 0.2%)
 - (2) Do not dip the body into flux. (Flux shall be coated to lead wire only for soldering.)
 - (3) The pre-heat up should be conducted without melting the soldering of this product.
11. Do not apply tensile force or separating force to lead wire at soldering.
12. Do not touch the resin case by soldering iron. The soldering point shall be min. 5 mm away from the root of lead wire. Please solder the following conditions.
 - Iron Tip Temperature : 360 degree C max.
 - Soldering Time : 4 seconds max. / 1 terminal
 - Number of Soldering : 1
13. To keep solderability of product from declining, following storage condition is recommended.
 - (1) Storage condition Temperature : -10 to +40°C
Humidity : less than 75%RH(not dewing condition)
 - (2) Term : Please use this product within 6 months after shipment by first-in and first-out stocking system.
 - (3) Handling after unpacking of the minimum package : Reseal it promptly or store it seal open inside a sealed container with a drying agent.
 - (4) Place : Do not store this product in corrosive gas(SO_x,Cl etc) or under sun-light.



Компания «ЭлектроПласт» предлагает заключение долгосрочных отношений при поставках импортных электронных компонентов на взаимовыгодных условиях!

Наши преимущества:

- Оперативные поставки широкого спектра электронных компонентов отечественного и импортного производства напрямую от производителей и с крупнейших мировых складов;
- Поставка более 17-ти миллионов наименований электронных компонентов;
- Поставка сложных, дефицитных, либо снятых с производства позиций;
- Оперативные сроки поставки под заказ (от 5 рабочих дней);
- Экспресс доставка в любую точку России;
- Техническая поддержка проекта, помощь в подборе аналогов, поставка прототипов;
- Система менеджмента качества сертифицирована по Международному стандарту ISO 9001;
- Лицензия ФСБ на осуществление работ с использованием сведений, составляющих государственную тайну;
- Поставка специализированных компонентов (Xilinx, Altera, Analog Devices, Intersil, Interpoint, Microsemi, Aeroflex, Peregrine, Syfer, Eurofarad, Texas Instrument, Miteq, Cobham, E2V, MA-COM, Hittite, Mini-Circuits, General Dynamics и др.);

Помимо этого, одним из направлений компании «ЭлектроПласт» является направление «Источники питания». Мы предлагаем Вам помощь Конструкторского отдела:

- Подбор оптимального решения, техническое обоснование при выборе компонента;
- Подбор аналогов;
- Консультации по применению компонента;
- Поставка образцов и прототипов;
- Техническая поддержка проекта;
- Защита от снятия компонента с производства.



Как с нами связаться

Телефон: 8 (812) 309 58 32 (многоканальный)

Факс: 8 (812) 320-02-42

Электронная почта: org@eplast1.ru

Адрес: 198099, г. Санкт-Петербург, ул. Калинина, дом 2, корпус 4, литера А.