

**PLEASE CHECK WWW.MOLEX.COM FOR LATEST PART INFORMATION**

**Part Number:** [0527461871](#)  
**Status:** **Active**  
**Overview:**  
**Description:** 0.50mm (.020") Pitch FFC/FPC Connector, Right Angle, SMT, ZIF, Bottom Contact Style, 18 Circuits, Lead-free, Gold Contact Plating, High Barrier Packaging

**Agency Certification**

CSA LR19980  
 UL E29179

**General**

Product Family FFC/FPC Connectors  
 Series 52746  
 Overview ffc\_fpc\_smt  
 Product Name N/A

**Physical**

Circuits (Loaded) 18  
 Contact Position Bottom  
 Durability (mating cycles max) 20  
 Entry Angle 90° Angle  
 Flammability 94V-0  
 Mated Height (in) 0.079 In  
 Mated Height (mm) 2.00 mm  
 Material - Metal Phosphor Bronze  
 Material - Plating Mating Gold  
 Material - Plating Termination Gold  
 Number of Rows 1  
 Orientation Right Angle  
 PCB Locator No  
 PCB Retention Yes  
 Packaging Type Embossed Tape on Reel  
 Pitch - Mating Interface (in) 0.020 In  
 Pitch - Mating Interface (mm) 0.50 mm  
 Polarized to PCB Yes  
 Stackable No  
 Temperature Range - Operating -20°C to +85°C  
 Termination Interface: Style Surface Mount  
 Wire/Cable Type FFC/FPC

**Electrical**

Current - Maximum per Contact 0.5A  
 Voltage - Maximum 50V

**Material Info**

**Reference - Drawing Numbers**

Packaging Specification SPK-52746-001, SPK-52746-002  
 Product Specification PS-52746-015, RPS-52746-017, RPS-52746-050, RPS-52746-051, RPS-52746-053, RPS-52746-054, RPS-52746-056, RPS-52746-057, RPS-52746-060, RPS-52746-062  
 Sales Drawing SD-52746-024, SD-52746-025

**EU RoHS**

**ELV and RoHS Compliant**

**REACH SVHC**

Not Reviewed

**Halogen-Free**

**Status**

**Not Reviewed**

**China RoHS**



**Need more information on product environmental compliance?**

Email [productcompliance@molex.com](mailto:productcompliance@molex.com)  
 For a multiple part number RoHS Certificate of Compliance, [click here](#)

Please visit the [Contact Us](#) section for any non-product compliance questions.

**Search Parts in this Series**

52746Series

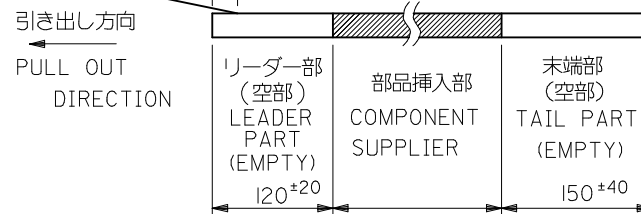
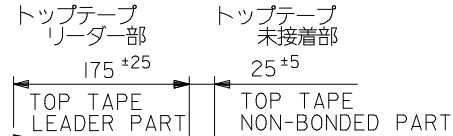
**PLEASE CHECK [WWW.MOLEX.COM](http://WWW.MOLEX.COM) FOR LATEST PART INFORMATION**

注記 NOTES

1. 製品番号 52746-\*\*\*39 の梱包状態はアクチュエータがロックした状態とする。  
 詳細寸法については図面 SD-52746-025 を参照下さい。  
 IN THE PACKAGE,ACTUATOR OF PART NO.52746-\*\*\*39 SHOULD BE LOCKED  
 RE DETAILED DIMENSIONS,SEE SD-52746-025

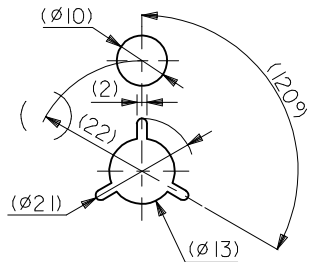
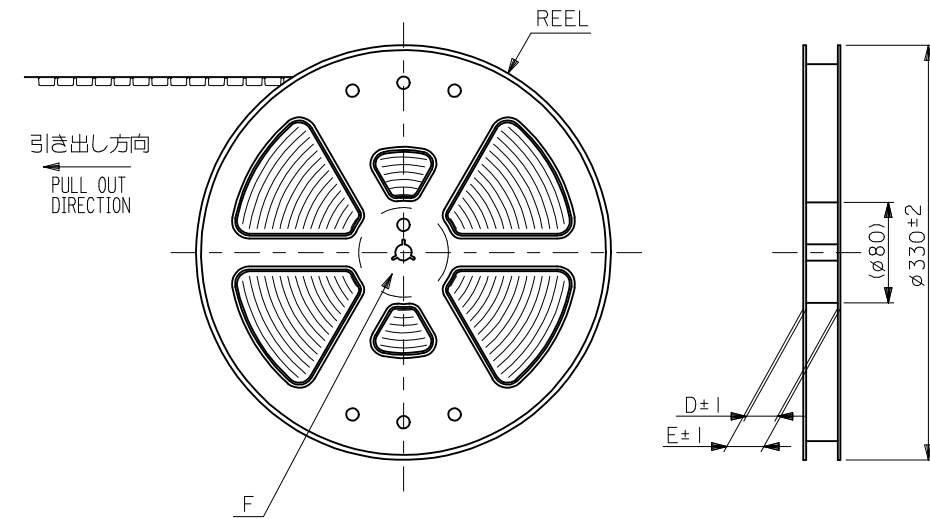
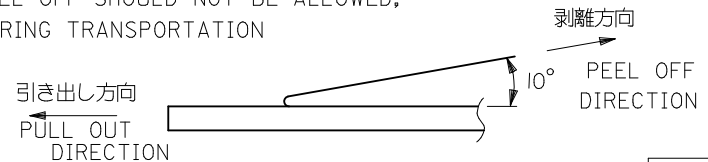
2. 梱包数量：1000個/リール  
 NUMBER OF CONNECTORS:1000PCS/REEL

3. リードテープ長さ LEAD TAPE LENGTH



4. トップテープの剥離強度：(剥離方向は下図参照)  
 0.1N~1.3N{10gf~130gf} 尚、本規格値は、出荷時に適用。  
 (但し、輸送時に剥離が発生しない事。)

PEELING OFF FORCE OF TOP TAPE  
 0.1N~1.3N{10gf~130gf}(PEELING DIRECTION AS SHOWN IN FOLLOWING FIG.)  
 THIS REQUIREMENT SHOULD BE APPLIED AT SHIPMENT  
 PEEL OFF SHOULD NOT BE ALLOWED,  
 DURING TRANSPORTATION



DETAIL F

5. 材料 キャリアテープ:ポリプロピレン (PP)  
 トップテープ:PET, PE, PEF  
 リール:ポリスチレン (PS) <リサイクル材を含む>

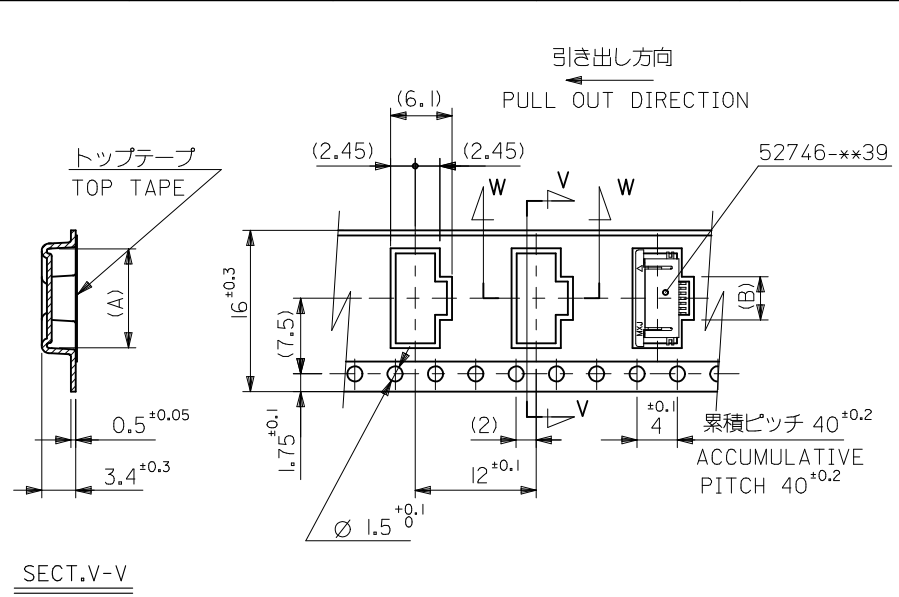
MATERIAL CARRIER TAPE:POLYPROPYLENE  
 TOP TAPE:PET,PE,PEF  
 REEL:POLYSTYRENE(PS)  
 <RECYCLE MATERIAL CONTAINED>

6. 本製品は 52746-\*\*\*81 の鉛フリー品です  
 THIS PRODUCT IS LEAD FREE OF 52746-\*\*\*81

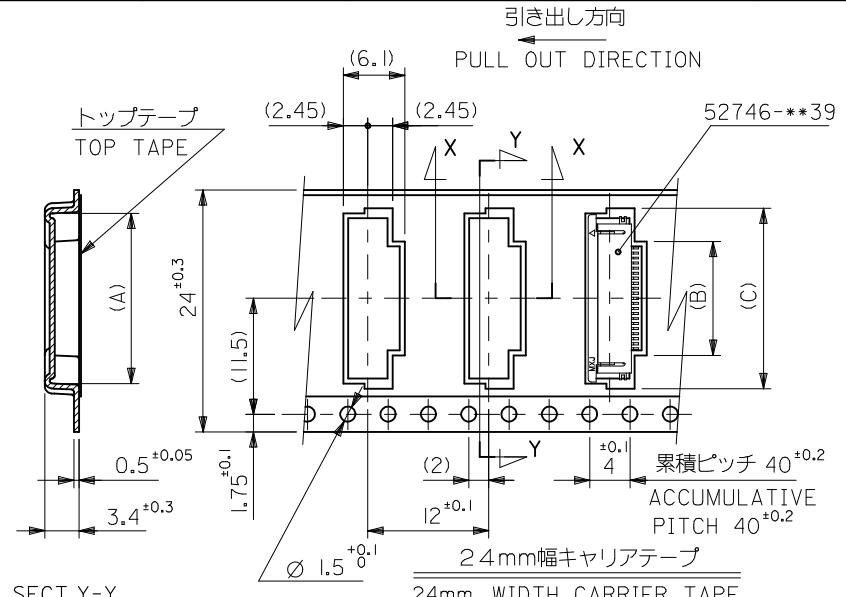
7. 本製品は乾燥剤入り、ハイバリア梱包仕様である。  
 THIS PRODUCT IS HIGH BARRIER PACKAGE WITH DESICCANT.

MODEL No.52746-\*\*\*71

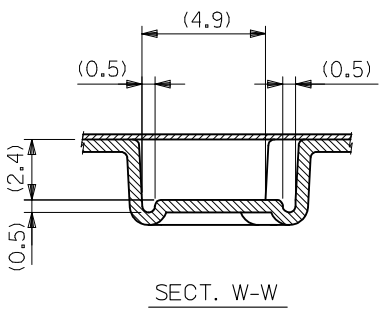
|  |                                       |   |                               |                   |  |                        |                        |
|--|---------------------------------------|---|-------------------------------|-------------------|--|------------------------|------------------------|
| REVISED<br>EC NO: J2009-2061<br>DRWN:TKON<br>CHKD:HATSUMOTO<br>APPR:NUKITA | GENERAL TOLERANCES (UNLESS SPECIFIED) |   | DIMENSION STYLE<br>MM ONLY    |                   | SCALE<br>---   | DESIGN UNITS<br>METRIC | THIRD ANGLE PROJECTION |
|  | 10 UNDER                              | ±0.2  | DRAWN BY<br>HSHIMABUKURO      | DATE<br>'04/01/30 | TITLE<br>0.5 FPC CONN ZIF SMT RA<br>B/CONT EMBSTP PKG<br>-LEAD FREE- |                        |                        |
|  | 10 OVER 30 UNDER                      | ±0.25   | CHECKED BY<br>KTOJO           | DATE<br>'04/01/30 |  |                        |                        |
|  | 30 OVER                               | ±0.3  | APPROVED BY<br>MSASAO         | DATE<br>'04/01/30 | MOLEX INCORPORATED   |                        |                        |
|  | ANGULAR ±3 °                          |   | MATERIAL NO.<br>SEE SHEET 2,3 |                   |  |                        |                        |
| DRAFT WHERE APPLICABLE MUST REMAIN WITHIN DIMENSIONS                       |                                       | THIS DRAWING CONTAINS INFORMATION THAT IS PROPRIETARY TO MOLEX INCORPORATED AND SHOULD NOT BE USED WITHOUT WRITTEN PERMISSION |                               |                   |  |                        |                        |



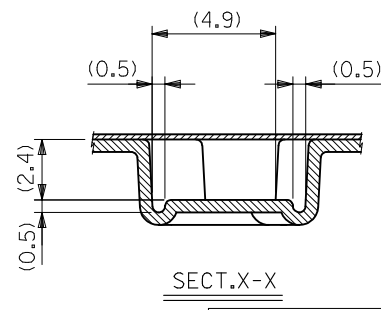
SECT.V-V  
16mm幅キャリアテープ  
16mm WIDTH CARRIER TAPE



SECT.Y-Y  
24mm幅キャリアテープ  
24mm WIDTH CARRIER TAPE



SECT. W-W

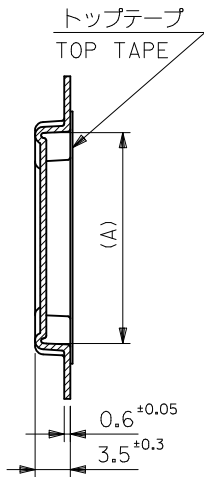


SECT. X-X

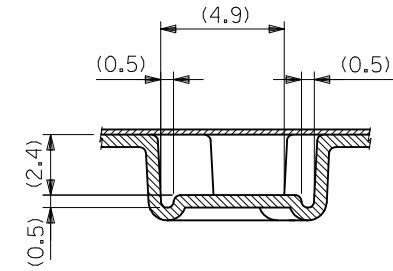
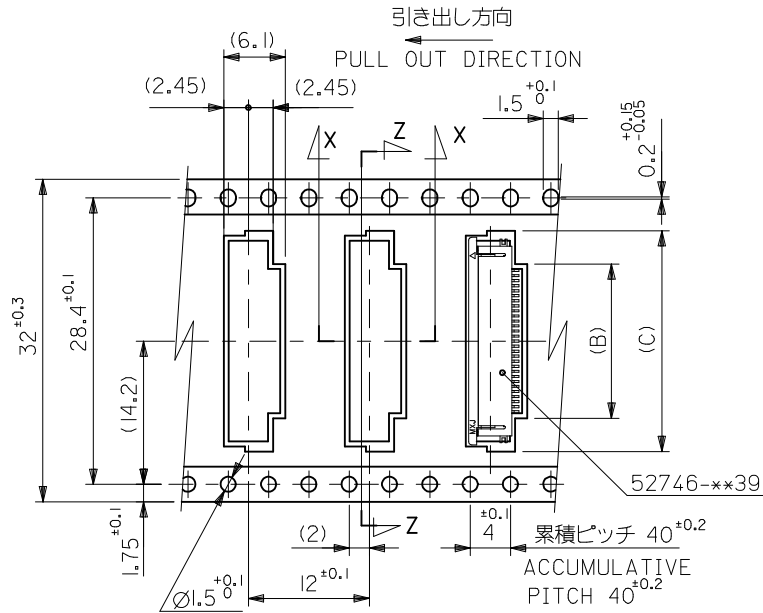
|      |      |      |            |      |      |            |    |
|------|------|------|------------|------|------|------------|----|
| 24   | 29.4 | 25.4 | 24.4       | 11.8 | 17.4 | 52746-2271 | 22 |
|      |      |      | 17.9       | 11.3 | 16.9 | 52746-2171 | 21 |
|      |      |      | 17.4       | 10.8 | 16.4 | 52746-2071 | 20 |
|      |      |      | 16.9       | 10.3 | 15.9 | 52746-1971 | 19 |
|      |      |      | 16.4       | 9.8  | 15.4 | 52746-1871 | 18 |
|      |      |      | 15.9       | 9.3  | 14.9 | 52746-1771 | 17 |
|      |      |      | 15.4       | 8.8  | 14.4 | 52746-1671 | 16 |
|      |      |      | 14.9       | 8.3  | 13.9 | 52746-1571 | 15 |
|      |      |      | 14.4       | 7.8  | 13.4 | 52746-1471 | 14 |
|      |      |      | 13.9       | 7.3  | 12.9 | 52746-1371 | 13 |
|      |      |      | 13.4       | 6.8  | 12.4 | 52746-1271 | 12 |
|      |      |      | 12.9       | 6.3  | 11.9 | 52746-1171 | 11 |
|      |      |      | 12.4       | 5.8  | 11.4 | 52746-1071 | 10 |
|      |      |      | 11.9       | 5.3  | 10.9 | 52746-0971 | 9  |
|      |      |      | 11.4       | 4.8  | 10.4 | 52746-0871 | 8  |
| 10.9 | 4.3  | 9.9  | 52746-0771 | 7    |      |            |    |
| 10.4 | 3.8  | 9.4  | 52746-0671 | 6    |      |            |    |
| 9.4  | 2.8  | 8.4  | 52746-0471 | 4    |      |            |    |
| 16   | 21.4 | 17.4 |            |      |      |            |    |

|                                |   |   |     |     |     |              |                |
|--------------------------------|---|---|-----|-----|-----|--------------|----------------|
| キャリアテープ幅<br>CARRIER TAPE WIDTH | E | D | (C) | (B) | (A) | MATERIAL NO. | 極数<br>CIRCUITS |
| MODEL No.52746-**71            |   |   |     |     |     |              |                |

|  |  |                                       |                            |   |                        |  |
|--|--|---------------------------------------|----------------------------|---|------------------------|--|
| REVISED<br>EC NO: J2009-2061<br>DRWN:TKON 2009/05/20<br>CHKD:HMATSUMOTO 2009/05/21<br>APPR:NIKI ITA 2009/05/21 | DESCRIPTION  | GENERAL TOLERANCES (UNLESS SPECIFIED) | DIMENSION STYLE<br>MM ONLY | SCALE<br>---  | DESIGN UNITS<br>METRIC | THIRD ANGLE PROJECTION   |
|  | REV  | 10 UNDER                              | ±0.2                       | DRAWN BY<br>HSHIMABUKURO  | DATE<br>'04/01/30      | TITLE<br>0.5 FPC CONN ZIF SMT RA<br>B/CONT EMBSTP PKG<br>-LEAD FREE- |
|  |  | 10 OVER 30 UNDER                      | ±0.25                      | CHECKED BY<br>KTOJO   | DATE<br>'04/01/30      | MOLEX INCORPORATED   |
|  |  | 30 OVER                               | ±0.3                       | APPROVED BY<br>MSASAO   | DATE<br>'04/01/30      |  |
|  |  | ANGULAR                               | ±3 °                       | MATERIAL NO.  | DOCUMENT NO.           | SHEET NO.  |
|  | DRAFT WHERE APPLICABLE MUST REMAIN WITHIN DIMENSIONS |                                       | SIZE<br>A3                 | THIS DRAWING CONTAINS INFORMATION THAT IS PROPRIETARY TO MOLEX INCORPORATED AND SHOULD NOT BE USED WITHOUT WRITTEN PERMISSION |                        |  |



SECT.Z-Z



SECT.X-X

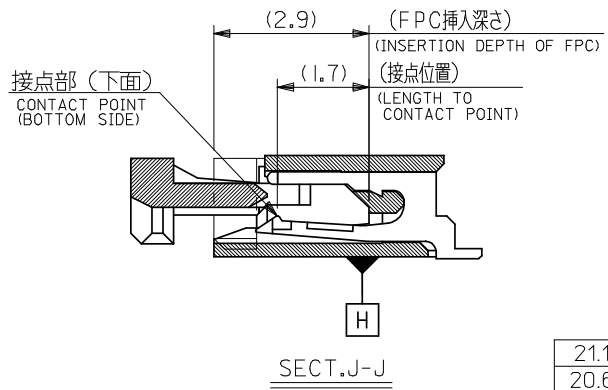
32mm幅キャリアテープ  
32mm WIDTH CARRIER TAPE

|                                |      |      |      |      |      |              |               |
|--------------------------------|------|------|------|------|------|--------------|---------------|
| 32                             | 37.4 | 33.4 | 22.4 | 15.8 | 21.4 | 52746-3071   | 30            |
|                                |      |      | 21.4 | 14.8 | 20.4 | 52746-2871   | 28            |
|                                |      |      | 20.9 | 14.3 | 19.9 | 52746-2771   | 27            |
|                                |      |      | 19.9 | 13.3 | 18.9 | 52746-2571   | 25            |
|                                |      |      | 19.4 | 12.8 | 18.4 | 52746-2471   | 24            |
| キャリアテープ幅<br>CARRIER TAPE WIDTH | E    | D    | (C)  | (B)  | (A)  | MATERIAL NO. | 極数<br>CIRCUIT |

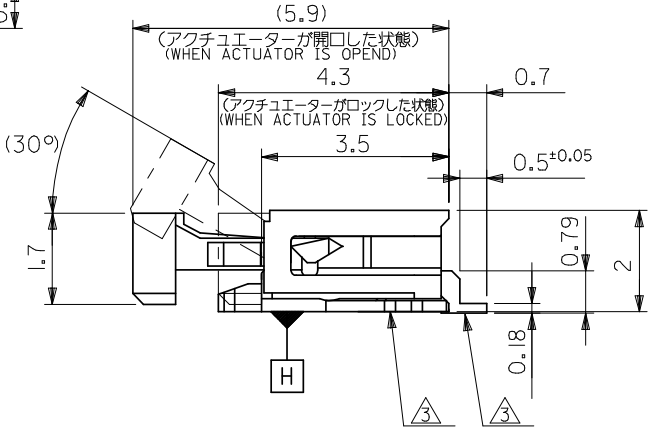
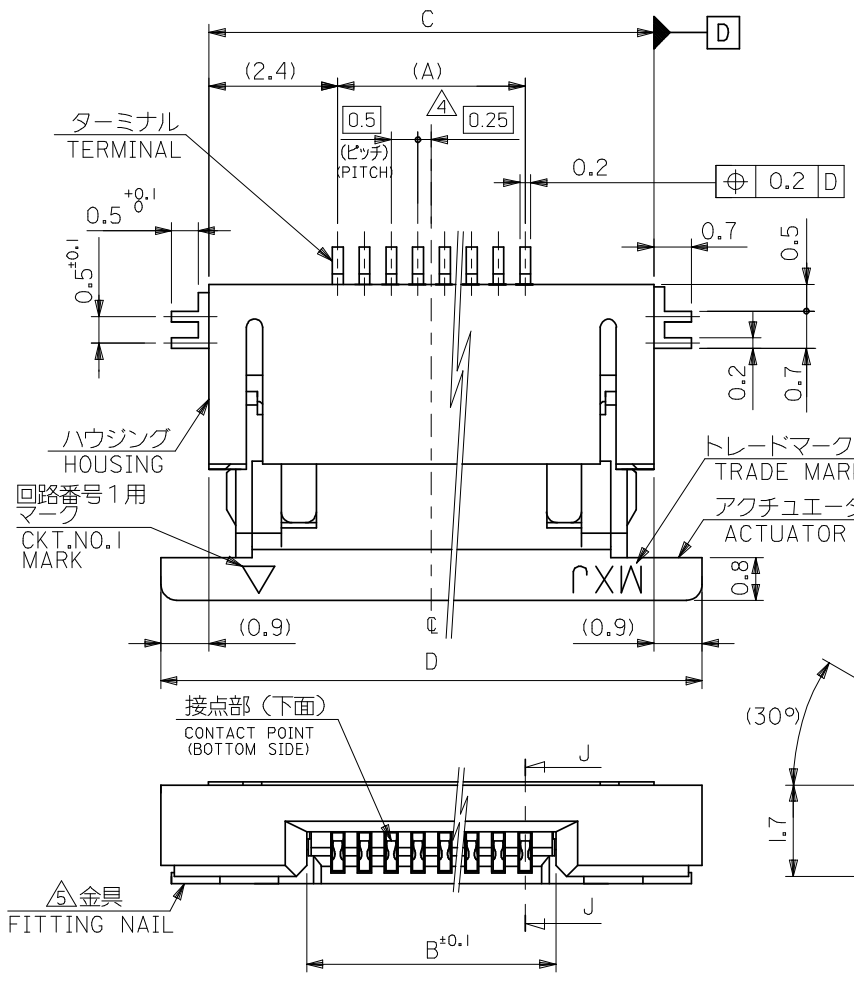
|  |  |                     |  |                            |  |  |                           |
|--|--|---------------------|--|----------------------------|--|--|---------------------------|
| REVISED<br>EC NO: J2009-2061<br>DRWN:TKON 2009/05/20<br>CHKD:HMATSUMOTO 2009/05/21<br>APPR:NUKITA 2009/05/21 | DESCRIPTION  | MODEL No.52746-xx71 | GENERAL TOLERANCES<br>(UNLESS SPECIFIED) | DIMENSION STYLE<br>MM ONLY | SCALE<br>---   | DESIGN UNITS<br>METRIC   | THIRD ANGLE<br>PROJECTION |
|  | REV  | 10 UNDER            | ±0.2                                     | DRAWN BY<br>HSHIMABUKURO   | DATE<br>'04/01/30  | TITLE<br>0.5 FPC CONN ZIF SMT RA<br>B/CONT EMBSTP PKG<br>-LEAD FREE- |                           |
|  |  | 10 OVER 30 UNDER    | ±0.25                                    | CHECKED BY<br>KTOJO        | DATE<br>'04/01/30  | MOLEX INCORPORATED   |                           |
|  |  | 30 OVER             | ±0.3                                     | APPROVED BY<br>MSASAO      | DATE<br>'04/01/30  | DOCUMENT NO.<br>SD-52746-024   | SHEET NO.<br>3 OF 3       |
|  |  | ANGULAR             | ±3 °                                     | MATERIAL NO.<br>SEE TABLE  | THIS DRAWING CONTAINS INFORMATION THAT IS PROPRIETARY TO MOLEX<br>INCORPORATED AND SHOULD NOT BE USED WITHOUT WRITTEN PERMISSION |  |                           |
|  | DRAFT WHERE APPLICABLE<br>MUST REMAIN<br>WITHIN DIMENSIONS |                     |  |                            |  |  |                           |

注記 NOTES

1. 使用材料 MATERIAL  
 ハウジング HOUSING : 46ナイロン, UL94V-0  
 46NYLON  
 アクチュエータ ACTUATOR : PPS, UL94V-0  
 ターミナル TERMINAL : リン青銅 (≒0.2)、ニッケル下地 金メッキ  
 PHOSHOR BRONZE, GOLD OVER NICKEL PLATING  
 金具 FITTING NAIL : リン青銅 (≒0.2)、ニッケル下地 鍍メッキ  
 PHOSHOR BRONZE, TIN OVER NICKEL PLATING
2. エンボステープ梱包時は、アクチュエータがロックした状態とす。  
 IN THE PACKAGE, ACTUATOR OF PART NO.52746-\*\*39 SHOULD BE LOCKED.
- △ ソルダータール半田付け面のズレ量、及び金具半田付け面のズレ量は、基準面 H に対し、上方向 0.1MAX、下方向 0.15MAX とす。  
 MISALIGNMENT OF SOLDER TAILS AND FITTING NAILS FROM H UPPER DIRECTION: 0.1 MAX., LOWER DIRECTION: 0.15MAX.
- △ 偶数極に適用。  
 APPLY FOR EVEN CIRCUIT.
- △ パターンはくり止め用金具  
 FITTING NAIL FOR PREVENTION OF PEELING OF P.C.B. PATTERN.
6. 本製品は 52746-\*\*38 の鉛フリー品です。  
 THIS PRODUCT IS LEAD FREE OF 52746-\*\*38

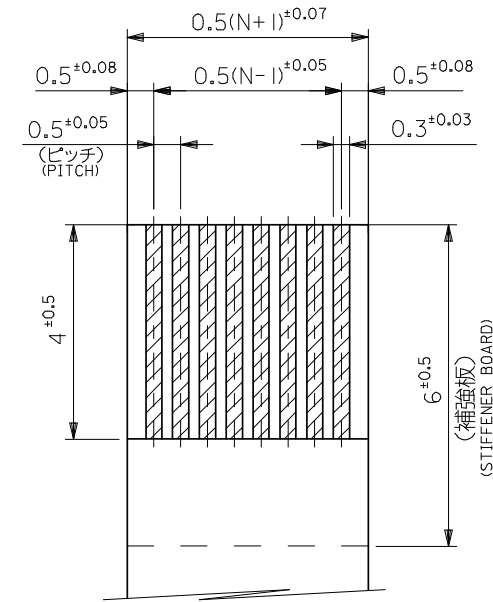
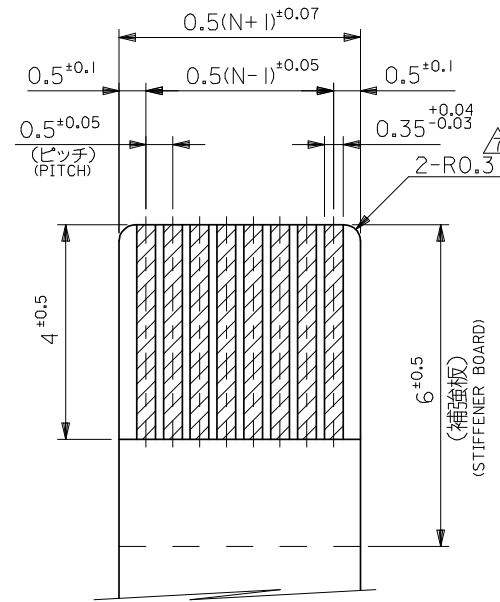
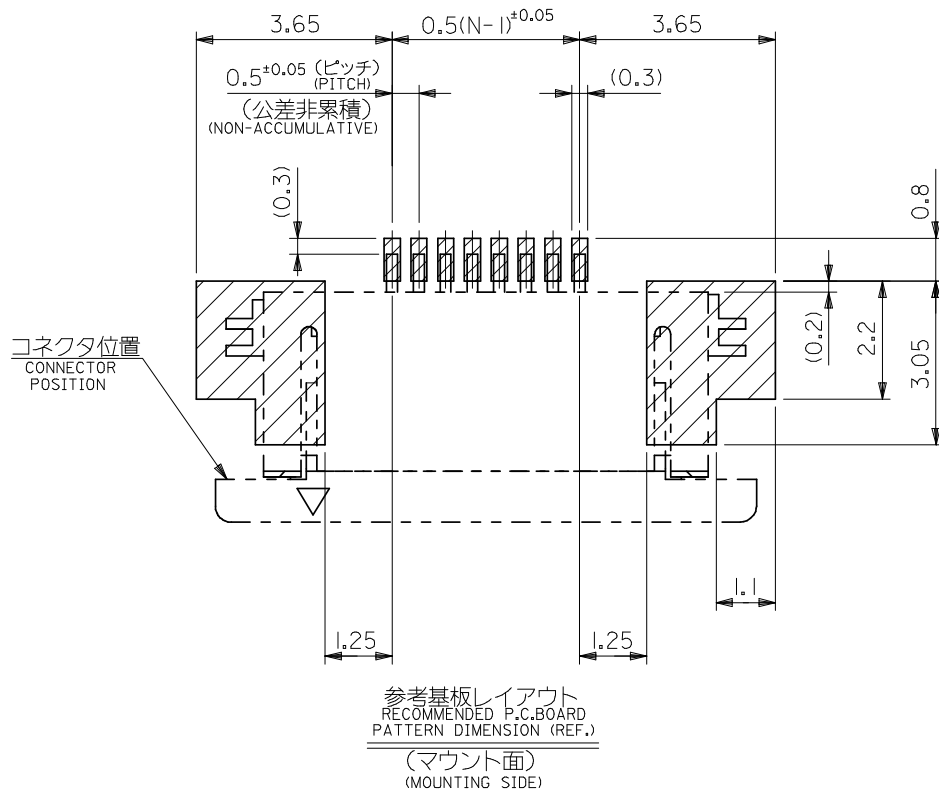


SECT. J-J



|      |      |       |      |                                  |              |                |
|------|------|-------|------|----------------------------------|--------------|----------------|
| 21.1 | 19.3 | 15.65 | 14.5 | 52746-3071                       | 52746-3039   | 30             |
| 20.6 | 18.8 | 15.15 | 14.0 | 52746-2971                       | 52746-2939   | 29             |
| 20.1 | 18.3 | 14.65 | 13.5 | 52746-2871                       | 52746-2839   | 28             |
| 19.6 | 17.8 | 14.15 | 13.0 | 52746-2771                       | 52746-2739   | 27             |
| 19.1 | 17.3 | 13.65 | 12.5 | 52746-2671                       | 52746-2639   | 26             |
| 18.6 | 16.8 | 13.15 | 12.0 | 52746-2571                       | 52746-2539   | 25             |
| 18.1 | 16.3 | 12.65 | 11.5 | 52746-2471                       | 52746-2439   | 24             |
| 17.6 | 15.8 | 12.15 | 11.0 | 52746-2371                       | 52746-2339   | 23             |
| 17.1 | 15.3 | 11.65 | 10.5 | 52746-2271                       | 52746-2239   | 22             |
| 16.6 | 14.8 | 11.15 | 10.0 | 52746-2171                       | 52746-2139   | 21             |
| 16.1 | 14.3 | 10.65 | 9.5  | 52746-2071                       | 52746-2039   | 20             |
| 15.6 | 13.8 | 10.15 | 9.0  | 52746-1971                       | 52746-1939   | 19             |
| 15.1 | 13.3 | 9.65  | 8.5  | 52746-1871                       | 52746-1839   | 18             |
| 14.6 | 12.8 | 9.15  | 8.0  | 52746-1771                       | 52746-1739   | 17             |
| 14.1 | 12.3 | 8.65  | 7.5  | 52746-1671                       | 52746-1639   | 16             |
| 13.6 | 11.8 | 8.15  | 7.0  | 52746-1571                       | 52746-1539   | 15             |
| 13.1 | 11.3 | 7.65  | 6.5  | 52746-1471                       | 52746-1439   | 14             |
| 12.6 | 10.8 | 7.15  | 6.0  | 52746-1371                       | 52746-1339   | 13             |
| 12.1 | 10.3 | 6.65  | 5.5  | 52746-1271                       | 52746-1239   | 12             |
| 11.6 | 9.8  | 6.15  | 5.0  | 52746-1171                       | 52746-1139   | 11             |
| 11.1 | 9.3  | 5.65  | 4.5  | 52746-1071                       | 52746-1039   | 10             |
| 10.6 | 8.8  | 5.15  | 4.0  | 52746-0971                       | 52746-0939   | 9              |
| 10.1 | 8.3  | 4.65  | 3.5  | 52746-0871                       | 52746-0839   | 8              |
| 9.6  | 7.8  | 4.15  | 3.0  | 52746-0771                       | 52746-0739   | 7              |
| 9.1  | 7.3  | 3.65  | 2.5  | 52746-0671                       | 52746-0639   | 6              |
| 8.1  | 6.3  | 2.65  | 1.5  | 52746-0471                       | 52746-0439   | 4              |
| D    | C    | B     | (A)  | EMBOSSD TAPE<br>ORDER No. オーダー番号 | MATERIAL NO. | 極数<br>CIRCUITS |
|      |      |       |      | 52746-**39                       | MODEL NO.    |                |

|   |                                       |        |                 |              |   |                        |           |
|---|---------------------------------------|--------|-----------------|--------------|---|------------------------|-----------|
| REVISED<br>EC NO: J2008-4308<br>2008/06/27<br>DRWN: MWABEI<br>2008/06/30<br>CH'KD: THARYAMA<br>2008/06/30<br>APPR: NUKITA<br>2008/06/30 | GENERAL TOLERANCES (UNLESS SPECIFIED) |        | DIMENSION STYLE | SCALE        | DESIGN UNITS  | THIRD ANGLE PROJECTION |           |
|   |                                       |        | MM ONLY         | ---          | METRIC  |                        |           |
|   | 10 UNDER                              | ±0.2   | DRAWN BY        | DATE         | TITLE   |                        |           |
|   | 10 OVER 30 UNDER                      | ±0.25  | HSHIMABUKURO    | '04/01/30    | 0.5 FPC CONN ZIF FOR SMT<br>R/A (BOTTOM CONTACT)<br>-LEAD FREE- |                        |           |
|   | 30 OVER                               | ±0.3   | CHECKED BY      | DATE         | MOLEX INCORPORATED  |                        |           |
| ANGULAR   | ±3 °                                  | KTOJO  | '04/01/30       | APPROVED BY  | DATE  | DOCUMENT NO.           |           |
| DRAFT WHERE APPLICABLE MUST REMAIN WITHIN DIMENSIONS  |                                       | MSASAO | '04/01/30       | MATERIAL NO. | SEE TABLE   |                        | SHEET NO. |
|   |                                       |        |                 | SD-52746-025 |   | 1 OF 2                 |           |
| THIS DRAWING CONTAINS INFORMATION THAT IS PROPRIETARY TO MOLEX INCORPORATED AND SHOULD NOT BE USED WITHOUT WRITTEN PERMISSION           |                                       |        |                 |              |   |                        |           |



注記 NOTES

△ R0.3は、FPCの導体部にかからないこと。  
R0.3 MUST NOT BE OVERLAPPED TO PATTERN OF FPC.

FPCについて:

打抜き方向は導体側から補強板を推奨致します。  
補強フィルム材質はポリイミドを推奨致します。  
接着剤は熱硬化接着剤を推奨致します。

ABOUT FPC:  
RECOMMENDED PUNCHER DIRECTION : FROM CONDUCTOR SIDE TO STIFFENER BOARD SIDE.  
RECOMMENDED MATERIAL :  
STIFFENER FILM : POLYIMIDE  
BONDING AGENT : THERMOSETTING BONDING AGENT

|  |  |           |  |                   |  |                           |
|--|--|-----------|--|-------------------|--|---------------------------|
| REVISED<br>EC NO: J2008-4308<br>DRWN: MWABEI 2008/06/27<br>CHKD: THARUYAMA 2008/06/30<br>APPR: NUKITA 2008/06/30 | GENERAL TOLERANCES<br>(UNLESS SPECIFIED) |           | DIMENSION STYLE<br>MM ONLY   | SCALE<br>---      | 52746-**39   | MODEL NO.                 |
|  | 10 UNDER                                 | ±0.2      | DRAWN BY<br>HSHIMABUKURO   | DATE<br>'04/01/30 | DESIGN UNITS<br>METRIC   | THIRD ANGLE<br>PROJECTION |
|  | 10 OVER 30 UNDER                         | ±0.25     | CHECKED BY<br>KTOJO  | DATE<br>'04/01/30 | TITLE<br>0.5 FPC CONN ZIF FOR SMT<br>R/A (BOTTOM CONTACT)<br>-LEAD FREE- |                           |
|  | 30 OVER                                  | ±0.3      | APPROVED BY<br>MSASAO  | DATE<br>'04/01/30 | MOLEX INCORPORATED   |                           |
|  | ANGULAR ±3 °                             |           | MATERIAL NO.   | DOCUMENT NO.      | SD-52746-025   |                           |
| DRAFT WHERE APPLICABLE<br>MUST REMAIN<br>WITHIN DIMENSIONS   |  | SEE TABLE | THIS DRAWING CONTAINS INFORMATION THAT IS PROPRIETARY TO MOLEX<br>INCORPORATED AND SHOULD NOT BE USED WITHOUT WRITTEN PERMISSION |                   | SHEET NO.<br>2 OF 2  |                           |



Компания «ЭлектроПласт» предлагает заключение долгосрочных отношений при поставках импортных электронных компонентов на взаимовыгодных условиях!

Наши преимущества:

- Оперативные поставки широкого спектра электронных компонентов отечественного и импортного производства напрямую от производителей и с крупнейших мировых складов;
- Поставка более 17-ти миллионов наименований электронных компонентов;
- Поставка сложных, дефицитных, либо снятых с производства позиций;
- Оперативные сроки поставки под заказ (от 5 рабочих дней);
- Экспресс доставка в любую точку России;
- Техническая поддержка проекта, помощь в подборе аналогов, поставка прототипов;
- Система менеджмента качества сертифицирована по Международному стандарту ISO 9001;
- Лицензия ФСБ на осуществление работ с использованием сведений, составляющих государственную тайну;
- Поставка специализированных компонентов (Xilinx, Altera, Analog Devices, Intersil, Interpoint, Microsemi, Aeroflex, Peregrine, Syfer, Eurofarad, Texas Instrument, Miteq, Cobham, E2V, MA-COM, Hittite, Mini-Circuits, General Dynamics и др.);

Помимо этого, одним из направлений компании «ЭлектроПласт» является направление «Источники питания». Мы предлагаем Вам помощь Конструкторского отдела:

- Подбор оптимального решения, техническое обоснование при выборе компонента;
- Подбор аналогов;
- Консультации по применению компонента;
- Поставка образцов и прототипов;
- Техническая поддержка проекта;
- Защита от снятия компонента с производства.



#### Как с нами связаться

**Телефон:** 8 (812) 309 58 32 (многоканальный)

**Факс:** 8 (812) 320-02-42

**Электронная почта:** [org@eplast1.ru](mailto:org@eplast1.ru)

**Адрес:** 198099, г. Санкт-Петербург, ул. Калинина, дом 2, корпус 4, литера А.