

# STK5Q4U352J

## Advance Information Intelligent Power Module (IPM) 600 V, 8 A

The STK5Q4U352J-E is a fully-integrated inverter power stage consisting of a high-voltage driver, six IGBT's and a thermistor, suitable for driving permanent magnet synchronous (PMSM) motors, brushless-DC (BLDC) motors and AC asynchronous motors. The IGBT's are configured in a 3-phase bridge with separate emitter connections for the lower legs for maximum flexibility in the choice of control algorithm. The power stage has a full range of protection functions including cross-conduction protection, external shutdown and under-voltage lockout functions. An internal comparator and reference connected to the over-current protection circuit allows the designer to set the over-current protection level.

### Features

- Three-phase 8 A / 600 V IGBT module with integrated drivers
- Typical values :  $V_{CE(sat)} = 1.4\text{ V}$ ,  $V_F = 1.8\text{ V}$ ,  $E_{sw} = 330\text{ }\mu\text{J}$
- Compact 29.6 mm  $\times$  18.2 mm dual in-line package
- Cross-conduction protection
- Adjustable over-current protection level
- Integrated bootstrap diodes and resistors
- Enable pin
- Thermistor

### Typical Applications

- Industrial Pumps
- Industrial Fans
- Industrial Automation
- Home Appliances

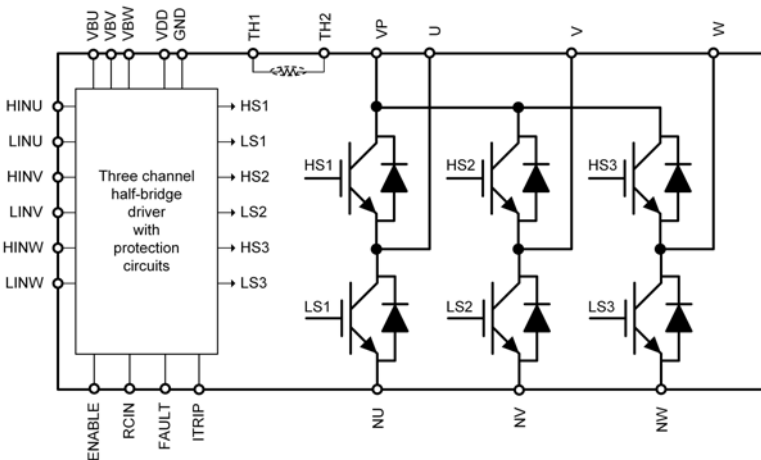


Figure 1. Functional Diagram

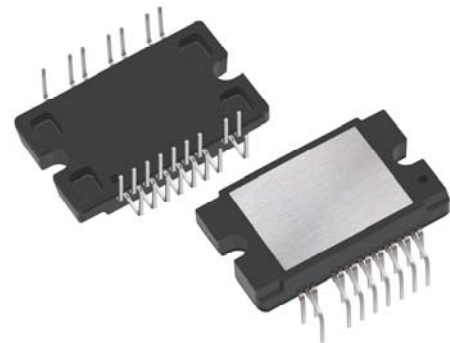
This document contains information on a new product. Specifications and information herein are subject to change without notice.



ON Semiconductor®

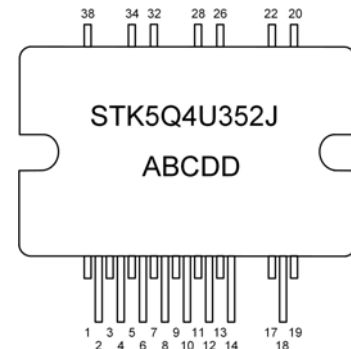
www.onsemi.com

### PACKAGE PICTURE



MODULE SPCM24 29.6x18.2 DIP S3

### MARKING DIAGRAM



STK5Q4U352J = Specific Device Code  
 A = Year  
 B = Month  
 C = Production Site  
 DD = Factory Lot Code  
 Device marking is on package underside

### ORDERING INFORMATION

Device	Package	Shipping (Qty / Packing)
STK5Q4U352J-E	MODULE SPCM24 29.6x18.2 DIP S3 (Pb-Free)	16 / Tube

# STK5Q4U352J-E

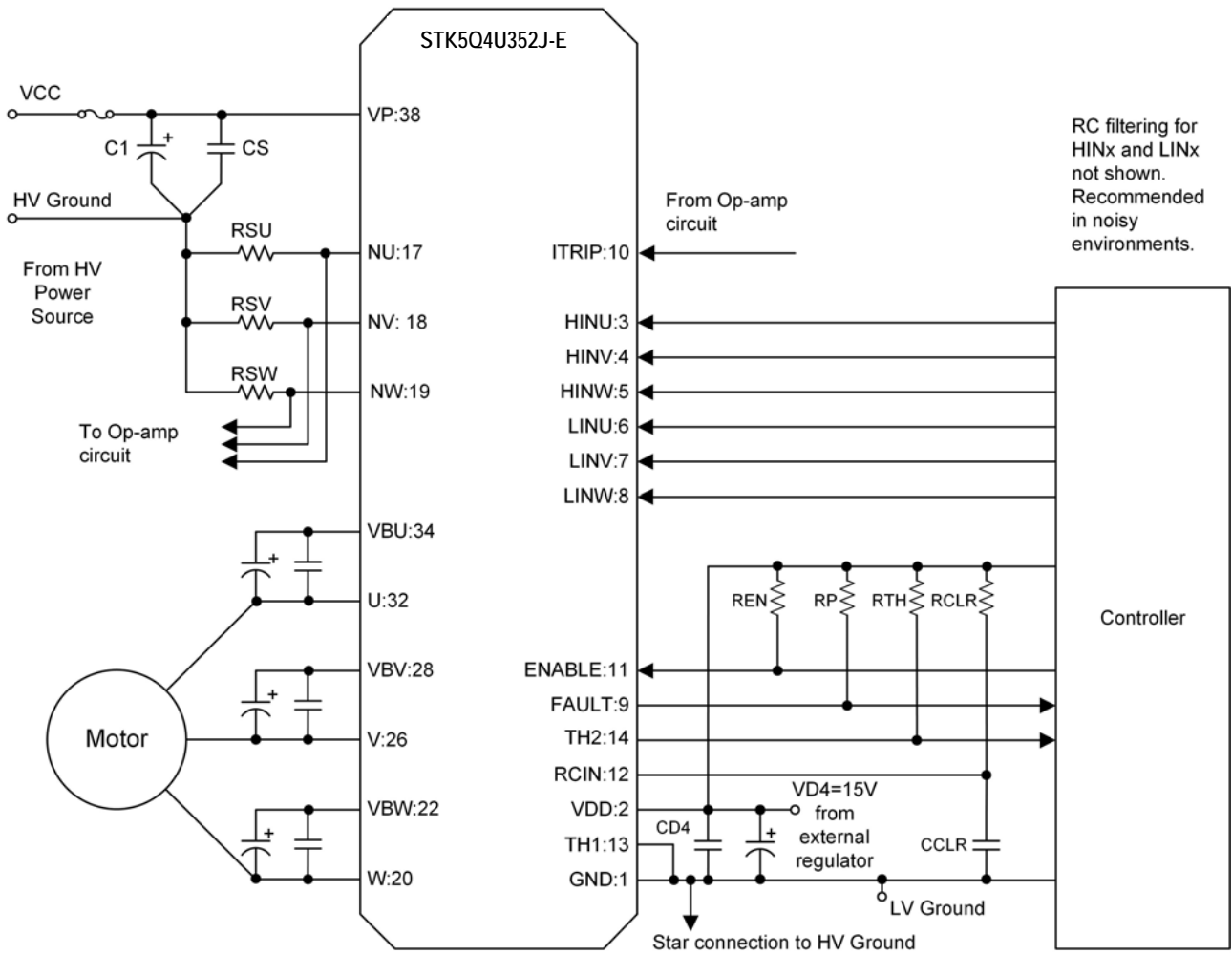


Figure 2. Application Schematic

# STK5Q4U352J-E

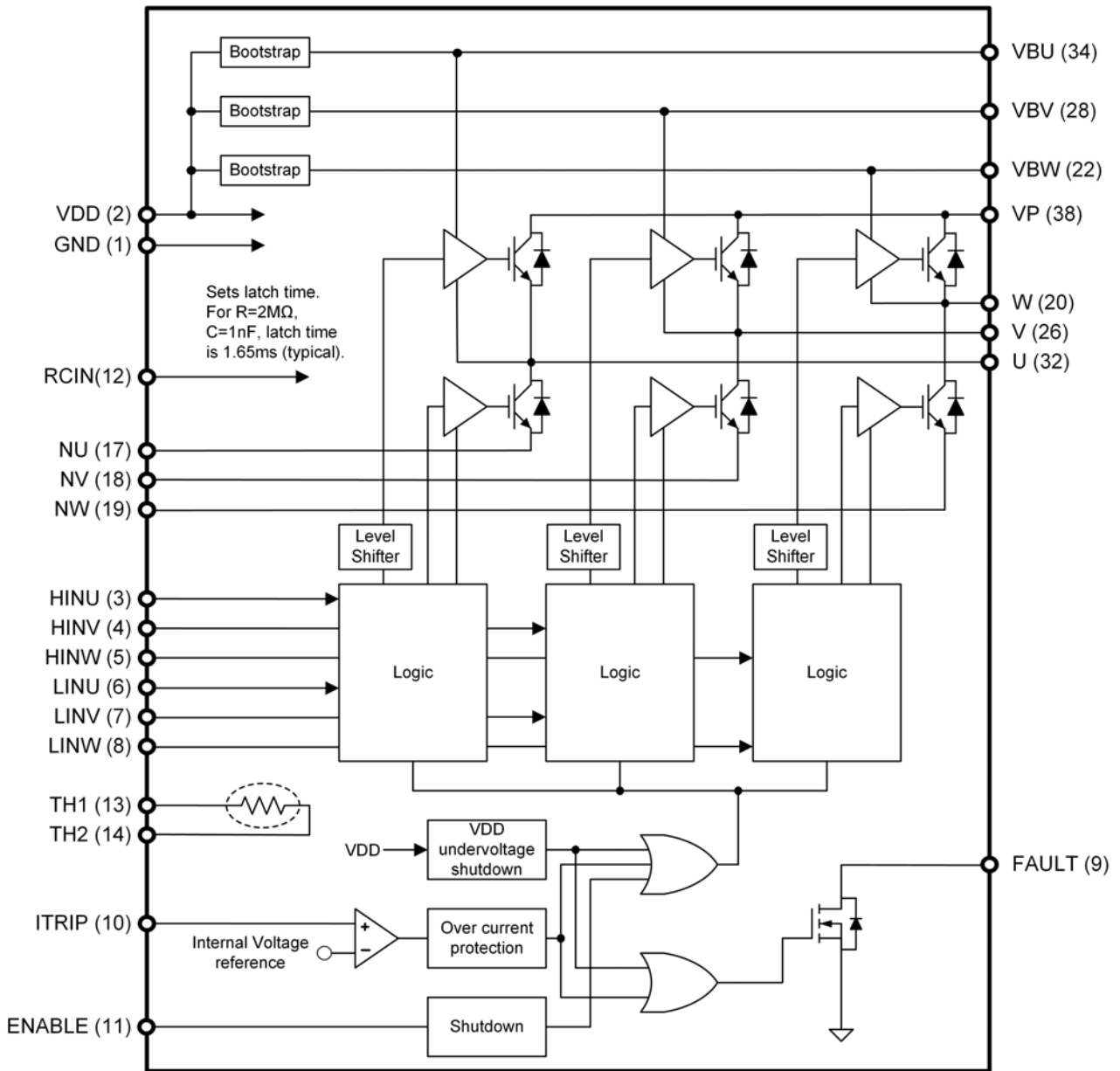


Figure 3. Simplified Block Diagram

# STK5Q4U352J-E

## PIN FUNCTION DESCRIPTION

Pin	Name	Description
1	GND	Negative Main Supply
2	VDD	+15 V Main Supply
3	HINU	Logic Input High Side Gate Driver - Phase U
4	HINV	Logic Input High Side Gate Driver - Phase V
5	HINW	Logic Input High Side Gate Driver - Phase W
6	LINU	Logic Input Low Side Gate Driver - Phase U
7	LINV	Logic Input Low Side Gate Driver - Phase V
8	LINW	Logic Input Low Side Gate Driver - Phase W
9	FAULT	Fault output
10	ITRIP	Current protection pin
11	ENABLE	Enable input
12	RCIN	R, C connection terminal for setting FAULT clear time
13	TH1	Thermistor output 1
14	TH2	Thermistor output 2
17	NU	Low Side Emitter Connection - Phase U
18	NV	Low Side Emitter Connection - Phase V
19	NW	Low Side Emitter Connection - Phase W
20	W	W phase output. Internally connected to W phase high side driver ground
22	VBW	High Side Floating Supply Voltage for W phase
26	V	V phase output. Internally connected to V phase high side driver ground
28	VBV	High Side Floating Supply voltage for V phase
32	U	U phase output. Internally connected to U phase high side driver ground
34	VBU	High Side Floating Supply voltage for U phase
38	VP	Positive Bus Input Voltage

Note : Pins 15, 16, 21, 23, 24, 25, 27, 29, 30, 31, 33, 35, 36, 37 are not present

## STK5Q4U352J-E

### ABSOLUTE MAXIMUM RATINGS (Notes 1, 2)

Rating	Symbol	Conditions	Value	Unit
Supply voltage	$V_{CC}$	VP to NU, NV, NW, surge < 500 V (Note 3)	450	V
Collector-emitter voltage	$V_{CE\ max}$	VP to U, V, W ; U to NU ; V to NV ; W to NW	600	V
Output current	$I_o$	VP, U, V, W, NU, NV, NW terminal current	$\pm 8$	A
		VP, U, V, W, NU, NV, NW terminal current, $T_c = 100^\circ\text{C}$	$\pm 4$	A
Output peak current	$I_{op}$	VP, U, V, W, NU, NV, NW terminal current, pulse width 1ms	$\pm 16$	A
Gate driver supply voltages	$V_{DD}, V_{BS}$	VBU to U, VBV to V, VBW to W, $V_{DD}$ to GND (Note 4)	-0.3 to +20.0	V
Input signal voltage	$V_{IN}$	HINU, HINV, HINW, LINU, LINV, LINW	-0.3 to $V_{DD}$	V
FAULT terminal voltage	VFAULT	FAULT terminal	-0.3 to $V_{DD}$	V
RCIN terminal voltage	VRCIN	RCIN terminal	-0.3 to $V_{DD}$	V
ITRIP terminal voltage	VITRIP	ITRIP terminal	-0.3 to +10.0	V
ENABLE terminal voltage	VENABLE	ENABLE terminal	-0.3 to $V_{DD}$	V
Maximum power dissipation	$P_d$	IGBT per 1 channel	31	W
Junction temperature	$T_j$	IGBT, Gate driver IC	150	$^\circ\text{C}$
Storage temperature	$T_{stg}$		-40 to +125	$^\circ\text{C}$
Operating case temperature	$T_c$	IPM case temperature	-20 to +100	$^\circ\text{C}$
Package mounting torque		Case mounting screw	0.6	Nm
Isolation voltage	$V_{is}$	50 Hz sine wave AC 1 minute (Note 5)	2000	$V_{rms}$

1. Stresses exceeding those listed in the Maximum Ratings table may damage the device. If any of these limits are exceeded, device functionality should not be assumed, damage may occur and reliability may be affected.
2. Refer to ELECTRICAL CHARACTERISTICS, RECOMMENDED OPERATING RANGES and/or APPLICATION INFORMATION for Safe Operating parameters.
3. This surge voltage developed by the switching operation due to the wiring inductance between VP and NU, NV, NW terminals.
4.  $V_{BS} = V_{BU}$  to U,  $V_{BV}$  to V,  $V_{BW}$  to W
5. Test conditions : AC 2500 V, 1 s

### RECOMMENDED OPERATING RANGES (Note 6)

Rating	Symbol		Min	Typ	Max	Unit
Supply voltage	$V_{CC}$	VP to NU, NV, NW	0	280	400	V
Gate driver supply voltage	$V_{BS}$	VBU to U, VBV to V, VBW to W	12.5	15	17.5	V
	$V_{DD}$	$V_{DD}$ to GND (Note 4)	13.5	15	16.5	
ON-state input voltage	$V_{IN(ON)}$	HINU, HINV, HINW, LINU, LINV, LINW	3.0		5.0	V
OFF-state input voltage	$V_{IN(OFF)}$		0		0.3	
PWM frequency	fPWM		1		20	kHz
Dead time	DT	Turn-off to turn-on (external)	1			$\mu\text{s}$
Allowable input pulse width	PWIN	ON and OFF	1			$\mu\text{s}$
Package mounting torque		'M3' type screw	0.4		0.6	Nm

6. Functional operation above the stresses listed in the Recommended Operating Ranges is not implied. Extended exposure to stresses beyond the Recommended Operating Ranges limits may affect device reliability.

## STK5Q4U352J-E

**ELECTRICAL CHARACTERISTICS** at  $T_c = 25^\circ\text{C}$ ,  $V_{BS} = 15\text{ V}$ ,  $V_{DD} = 15\text{ V}$  (Note 7)

Parameter	Test Conditions	Symbol	Min	Typ	Max	Unit
<b>Power output section</b>						
Collector-emitter leakage current	$V_{CE} = 600\text{ V}$	$I_{CE}$	-	-	100	$\mu\text{A}$
Collector to emitter saturation voltage	$I_c = 8\text{ A}$ , $T_j = 25^\circ\text{C}$	$V_{CE(sat)}$		1.8	2.6	V
	$I_c = 4\text{ A}$ , $T_j = 100^\circ\text{C}$			1.5		V
Diode forward voltage	$I_F = 8\text{ A}$ , $T_j = 25^\circ\text{C}$	$V_F$		1.4	2.1	V
	$I_F = 4\text{ A}$ , $T_j = 100^\circ\text{C}$			1.1		V
Junction to case thermal resistance	IGBT	$\theta_{j-c}(T)$	-	-	4	$^\circ\text{C/W}$
	Freewheeling Diode	$\theta_{j-c}(T)$	-	-	5.5	$^\circ\text{C/W}$
Switching time	$I_c = 8\text{ A}$ , $V_{CC} = 300\text{ V}$ , $T_j = 25^\circ\text{C}$	$t_{ON}$	-	0.6	1.3	$\mu\text{s}$
		$t_{OFF}$	-	1.0	1.6	
Turn-on switching loss	$I_c = 8\text{ A}$ , $V_{CC} = 300\text{ V}$ , $T_j = 25^\circ\text{C}$	$E_{ON}$	-	250	-	$\mu\text{J}$
Turn-off switching loss		$E_{OFF}$	-	80	-	$\mu\text{J}$
Total switching loss		$E_{TOT}$	-	330	-	$\mu\text{J}$
Turn-on switching loss	$I_c = 8\text{ A}$ , $V_{CC} = 300\text{ V}$ , $T_j = 25^\circ\text{C}$	$E_{ON}$	-	300	-	$\mu\text{J}$
Turn-off switching loss		$E_{OFF}$	-	100	-	$\mu\text{J}$
Total switching loss		$E_{TOT}$	-	400	-	$\mu\text{J}$
Diode reverse recovery energy	$I_c = 8\text{ A}$ , $V_{CC} = 300\text{ V}$ , $T_j = 25^\circ\text{C}$ (di/dt set by internal driver)	$E_{REC}$	-	50	-	$\mu\text{J}$
Diode reverse recovery time		$t_{rr}$	-	150	-	ns
Reverse bias safe operating area	$I_c = 16\text{ A}$ , $V_{CE} = 450\text{ V}$	RBSOA	Full Square	-		
Short circuit safe operating area	$V_{CE} = 400\text{ V}$	SCSOA	4	-	-	$\mu\text{s}$
Allowable offset voltage slew rate	U to NU, V to NV, W to NW	dv/dt	-50	-	50	V/ns
<b>Driver Section</b>						
Gate driver consumption current	$V_{BS} = 15\text{ V}$ (Note 4), per driver	$I_D$	-	0.07	0.4	mA
	$V_{DD} = 15\text{ V}$ , total	$I_D$	-	0.95	3	mA
High level Input voltage	HINU, HINV, HINW, LINU, LINV, LINW to GND	$V_{in\ H}$	2.5	-	-	V
Low level Input voltage		$V_{in\ L}$	-	-	0.8	V
Logic 1 input current	$V_{IN} = +3.3\text{ V}$	$I_{IN+}$	-	660	900	$\mu\text{A}$
Logic 0 input current	$V_{IN} = 0\text{ V}$	$I_{IN-}$	-	-	3	$\mu\text{A}$
Bootstrap ON Resistance	$I_B = 1\text{ mA}$	RB	-	110	-	$\Omega$
FAULT terminal sink current	FAULT : ON / VFAULT = 0.1 V	$I_{oSD}$	-	2	-	mA
FAULT clearance delay time	RCLR = 2 M $\Omega$ , CCLR = 1 nF	FLTCLR	1.1	1.65	2.2	ms
ENABLE ON/OFF voltage	VEN ON-state voltage	VEN(ON)	2.5	-	-	V
	VEN OFF-state voltage	VEN(OFF)	-	-	0.8	V
ITRIP threshold voltage	ITRIP to GND	VITRIP	0.44	0.49	0.54	V
ITRIP to shutdown propagation delay		$t_{ITRIP}$	-	1.1	-	$\mu\text{s}$
ITRIP blanking time		$t_{ITRIPBL}$	250	350	-	ns
$V_{DD}$ and $V_{BS}$ supply undervoltage positive going input threshold		$V_{DDUV+}$ $V_{BSUV+}$	10.2	11.1	11.8	V
$V_{DD}$ and $V_{BS}$ supply undervoltage negative going input threshold		$V_{DDUV-}$ $V_{BSUV-}$	10.0	10.9	11.6	V
$V_{DD}$ and $V_{BS}$ supply undervoltage $I_{lockout}$ hysteresis		$V_{DDUVH}$ $V_{BSUVH}$	-	0.2	-	V

7. Product parametric performance is indicated in the Electrical Characteristics for the listed test conditions, unless otherwise noted. Product performance may not be indicated by the Electrical Characteristics if operated under different conditions.

# STK5Q4U352J-E

## TYPICAL CHARACTERISTICS

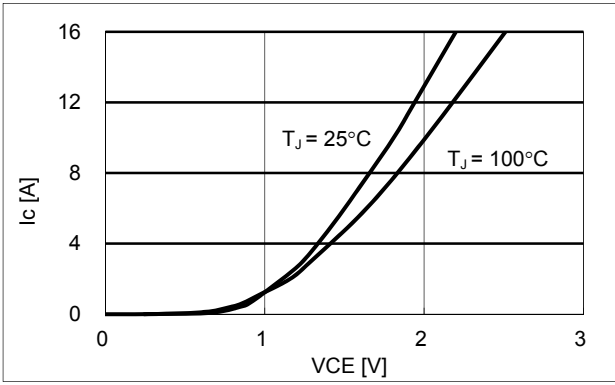


Figure 4.  $V_{CE}$  versus  $I_D$  for different temperatures ( $V_{DD} = 15\text{ V}$ )

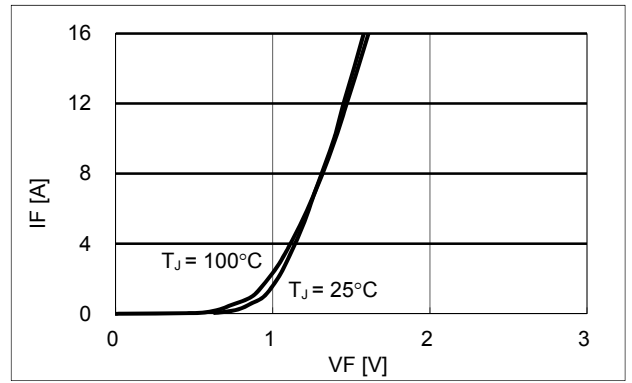


Figure 5.  $V_F$  versus  $I_D$  for different temperatures

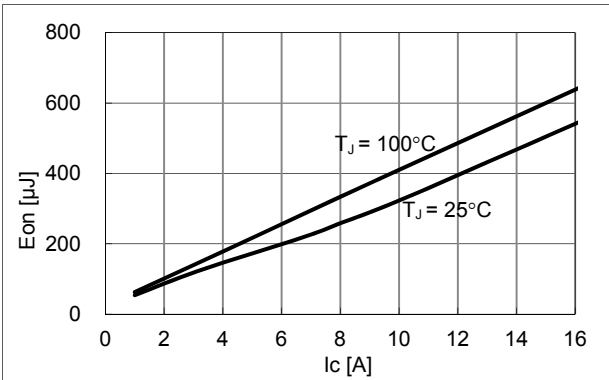


Figure 6.  $E_{ON}$  versus  $I_D$  for different temperatures

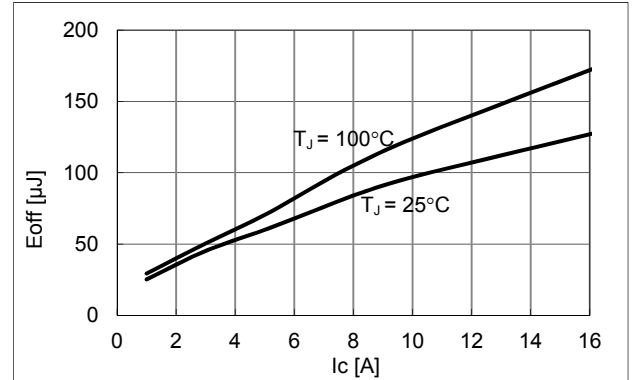


Figure 7.  $E_{OFF}$  versus  $I_D$  for different temperatures

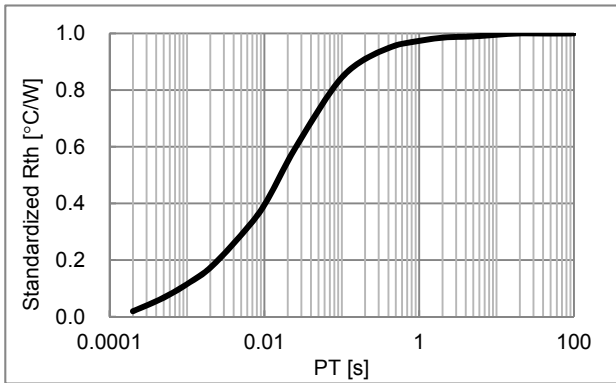


Figure 8. Thermal impedance plot (IGBT)

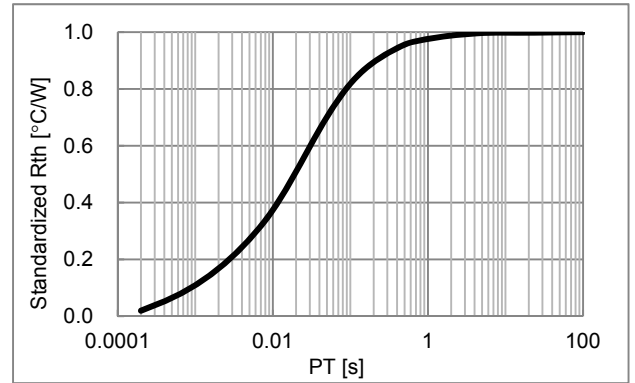


Figure 9. Thermal impedance plot (FRD)

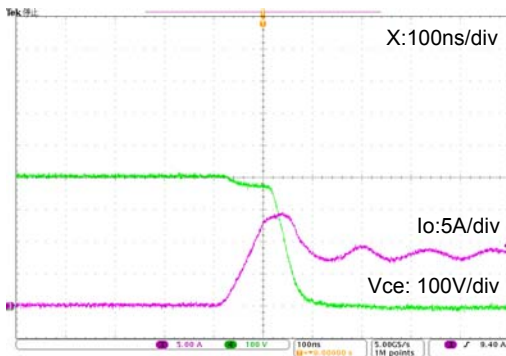


Figure 10. Turn-on waveform  $T_J = 100^\circ\text{C}$ ,  $V_{CC} = 400\text{ V}$

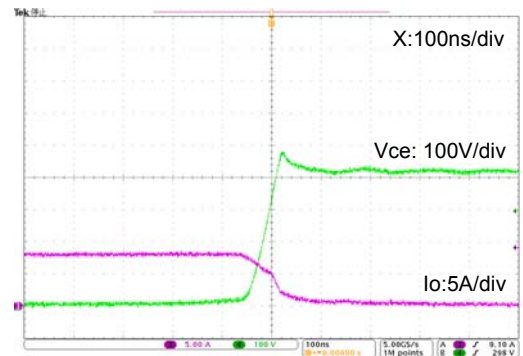


Figure 11. Turn-off waveform  $T_J = 100^\circ\text{C}$ ,  $V_{CC} = 400\text{ V}$

# STK5Q4U352J-E

## APPLICATIONS INFORMATION

### Input / Output Timing Chart

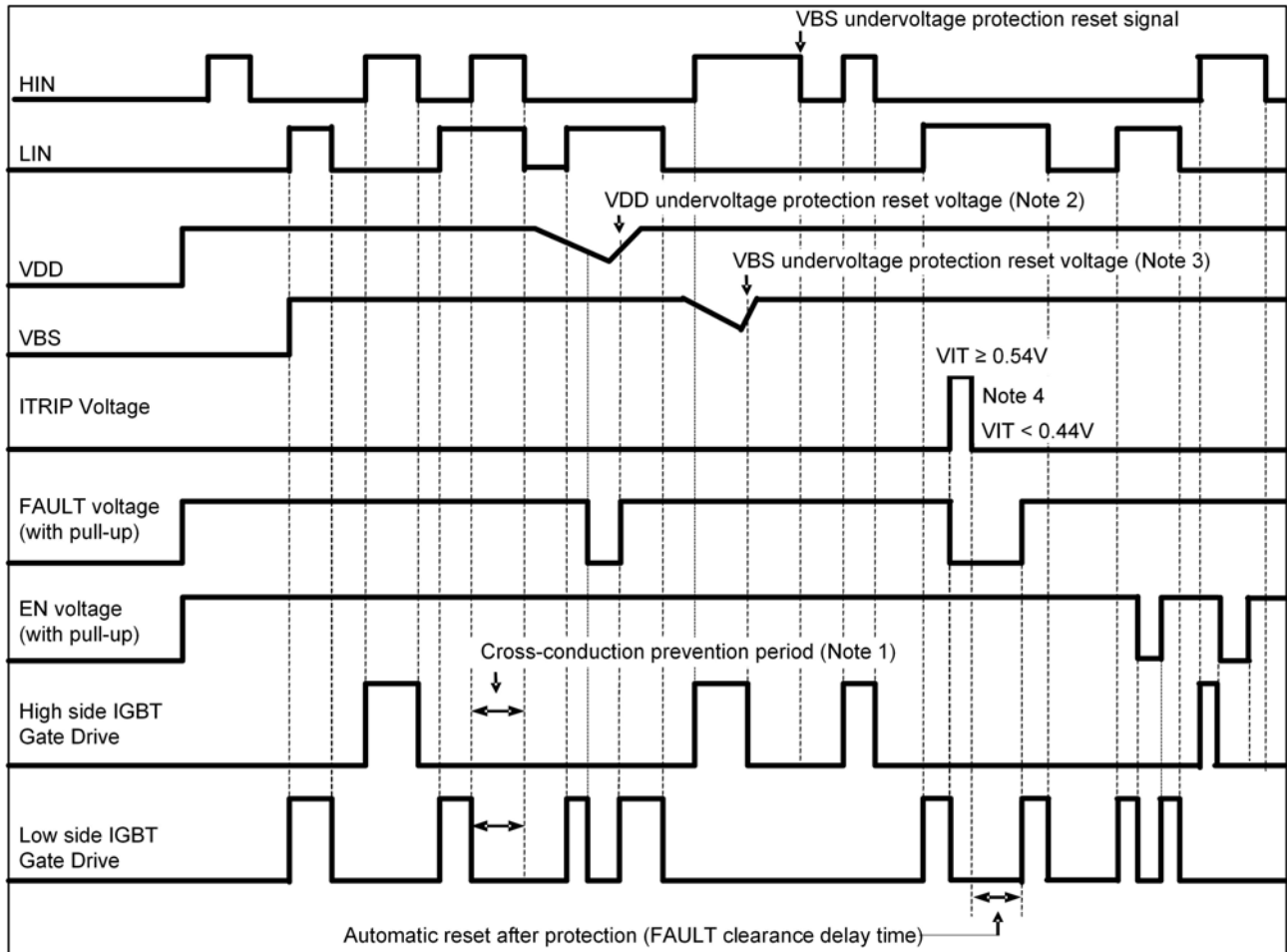


Figure12. Input/Output Timing Chart

### Notes

1. This section of the timing diagram shows the effect of cross-conduction prevention.
2. This section of the timing diagram shows that when the voltage on  $V_{DD}$  decreases sufficiently all gate output signals will go low, switching off all six IGBTs. When the voltage on  $V_{DD}$  rises sufficiently, normal operation will resume.
3. This section shows that when the bootstrap voltage  $V_{BS}$  drops, the corresponding high side output (U or V or W) is switched off. When  $V_{BS}$  rises sufficiently, normal operation will resume.
4. This section shows that when the voltage on ITRIP exceeds the threshold, all IGBT's are turned off. Normal operation resumes later after the over-current condition is removed.
5. After  $V_{DD}$  has risen above the threshold to enable normal operation, the driver waits to receive an input signal on the LIN input before enabling the driver for the HIN signal.

### Input / Output Logic Table

INPUT				OUTPUT			
HIN	LIN	Itrip	Enable	High side IGBT	Low side IGBT	U, V, W	FAULT
H	L	L	H	ON (Note 5)	OFF	VP	OFF
L	H	L	H	OFF	ON	NU, NV, NW	OFF
L	L	L	H	OFF	OFF	High Impedance	OFF
H	H	L	H	OFF	OFF	High Impedance	OFF
X	X	H	H	OFF	OFF	High Impedance	ON
X	X	X	L	OFF	OFF	High Impedance	OFF



# STK5Q4U352J-E

## Thermistor characteristics

Parameter	Symbol	Condition	Min	Typ	Max	Unit
Resistance	R25	Tc = 25°C	99	100	101	kΩ
	R100	Tc = 100°C	5.18	5.38	5.60	kΩ
B-Constant (25 to 50°C)	B		4208	4250	4293	K
Temperature Range			-40		+125	°C

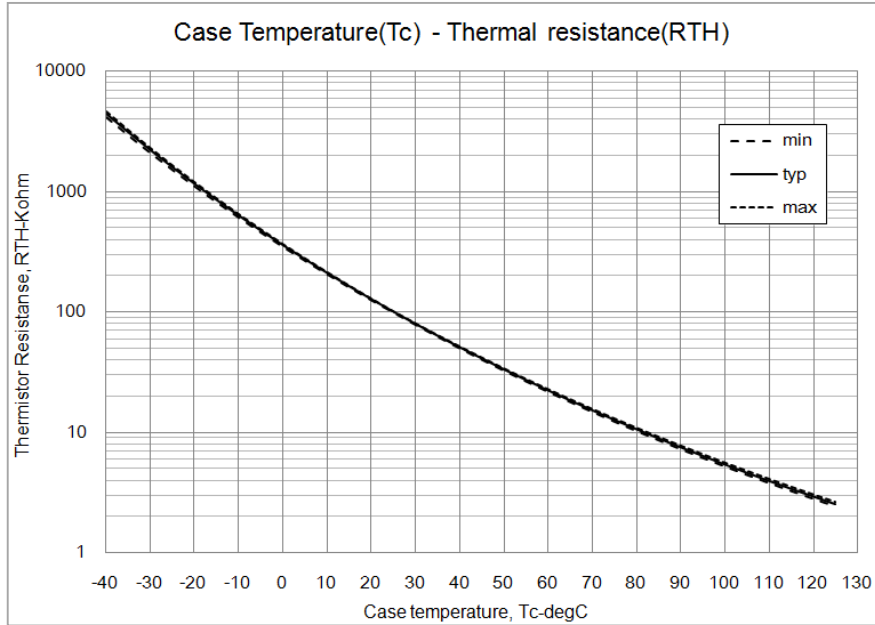


Figure13. Thermistor Resistance versus Case Temperature

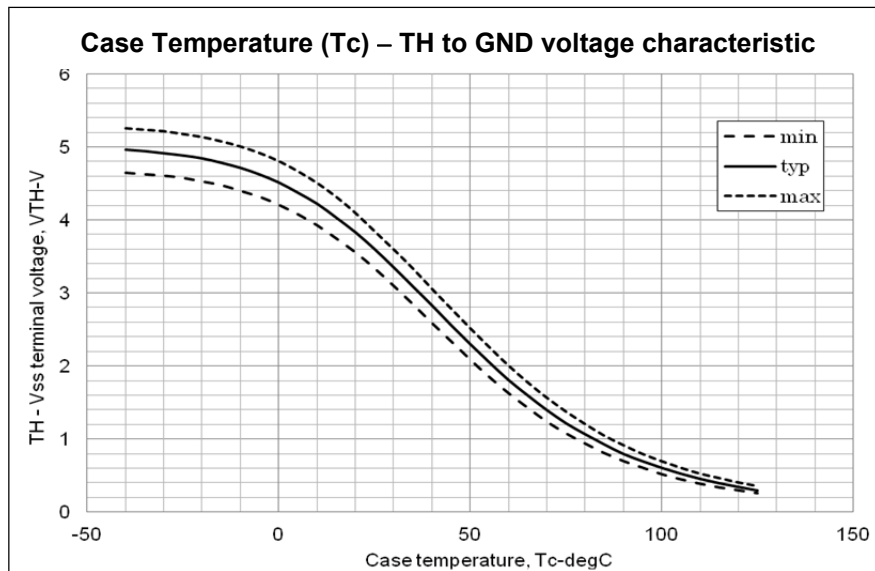


Figure 14. Thermistor Voltage versus Case Temperature  
Conditions : RTH = 39 kΩ, pull-up voltage 5.0 V (see Figure 2)

**Fault output**

The FAULT output is an open drain output requiring a pull-up resistor. If the pull-up voltage is 5 V, use a pull-up resistor with a value of 6.8 kΩ or higher. If the pull-up voltage is 15 V, use a pull-up resistor with a value of 20 kΩ or higher. The FAULT output is triggered if there is a VDD undervoltage or an overcurrent condition.

**Undervoltage lockout protection**

If VDD goes below the VDD supply undervoltage lockout falling threshold, the FAULT output is switched on. The FAULT output stays on until VDD rises above the VDD supply undervoltage lockout rising threshold. After VDD has risen above the threshold to enable normal operation, the driver waits to receive an input signal on the LIN input before enabling the driver for the HIN signal.

**Overcurrent protection**

An over-current condition is detected if the voltage on the ITRIP pin is larger than the reference voltage. There is a blanking time of typically 350 ns to improve noise immunity. After a shutdown propagation delay of typically 1.1 μs, the FAULT output is switched on. The FAULT output is held on for a time determined by the resistor and capacitor connected to the RCIN pin. If RCLR = 2 MΩ and CCLR = 1 nF, the FAULT output is switched on for 1.65 ms (typical).

The over-current protection threshold should be set to be equal or lower to 2 times the module rated current (IO).

An additional fuse is recommended to protect against system level or abnormal over-current fault conditions.

**Capacitors on High Voltage and VDD supplies**

Both the high voltage and VDD supplies require an electrolytic capacitor and an additional high frequency capacitor.

**Enable pin**

The ENABLE terminal pin is used to enable or shut down the built-in driver. If the voltage on the ENABLE pin rises above the ENABLE ON-state voltage, the output drivers are enabled. If the voltage on the ENABLE pin falls below the ENABLE OFF-state voltage, the drivers are disabled.

**Minimum input pulse width**

When input pulse width is less than 1 μs, an output may not react to the pulse. (Both ON signal and OFF signal)

**Calculation of bootstrap capacitor value**

The bootstrap capacitor value CB is calculated using the following approach. The following parameters influence the choice of bootstrap capacitor:

- VBS : Bootstrap power supply.  
15 V is recommended.
- QG : Total gate charge of IGBT at VBS = 15 V.  
45 nC
- UVLO : Falling threshold for UVLO.  
Specified as 12 V.
- IDMAX : High side drive consumption current.  
Specified as 0.4 mA
- tONMAX : Maximum ON pulse width of high side IGBT.

Capacitance calculation formula:

$$CB = (QG + IDMAX * t_{ONMAX}) / (VBS - UVLO)$$

CB is recommended to be approximately 3 times the value calculated above. The recommended value of CB is in the range of 1 to 47 μF, however, the value needs to be verified prior to production. When not using the bootstrap circuit, each high side driver power supply requires an external independent power supply.

The internal bootstrap circuit uses a MOSFET. The turn on time of this MOSFET is synchronized with the turn on of the low side IGBT. The bootstrap capacitor is charged by turning on the low side IGBT.

If the low side IGBT is held on for a long period of time (more than one second for example), the bootstrap voltage on the high side MOSFET will slowly discharge.

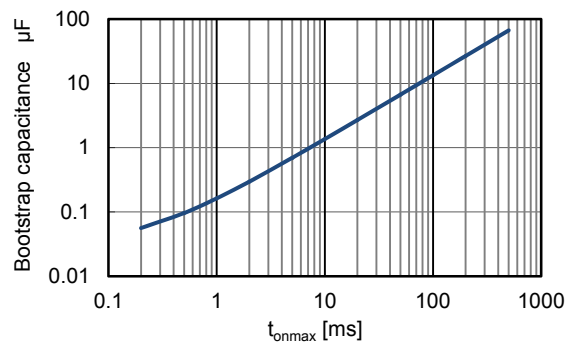


Figure 15. Bootstrap capacitance versus tONMAX

# STK5Q4U352J-E

## Mounting Instructions

Item	Recommended Condition
Pitch	26.0 ±0.1 mm (Please refer to Package Outline Diagram)
Screw	Diameter : M3 Screw head types : pan head, truss head, binding head
Washer	Plane washer dimensions (Figure 16) D = 7 mm, d = 3.2 mm and t = 0.5 mm JIS B 1256
Heat sink	Material : Aluminum or Copper Warpage (the surface that contacts IPM) : -50 to 50 μm Screw holes must be countersunk. No contamination on the heat sink surface that contacts IPM.
Torque	Temporary tightening : 50 to 60% of final tightening on first screw Temporary tightening : 50 to 60% of final tightening on second screw Final tightening : 0.4 to 0.6 Nm on first screw Final tightening : 0.4 to 0.6 Nm on second screw
Grease	Silicone grease. Thickness : 50 to 100 μm Uniformly apply silicone grease to whole back. Thermal foils are only recommended after careful evaluation. Thickness, stiffness and compressibility parameters have a strong influence on performance.

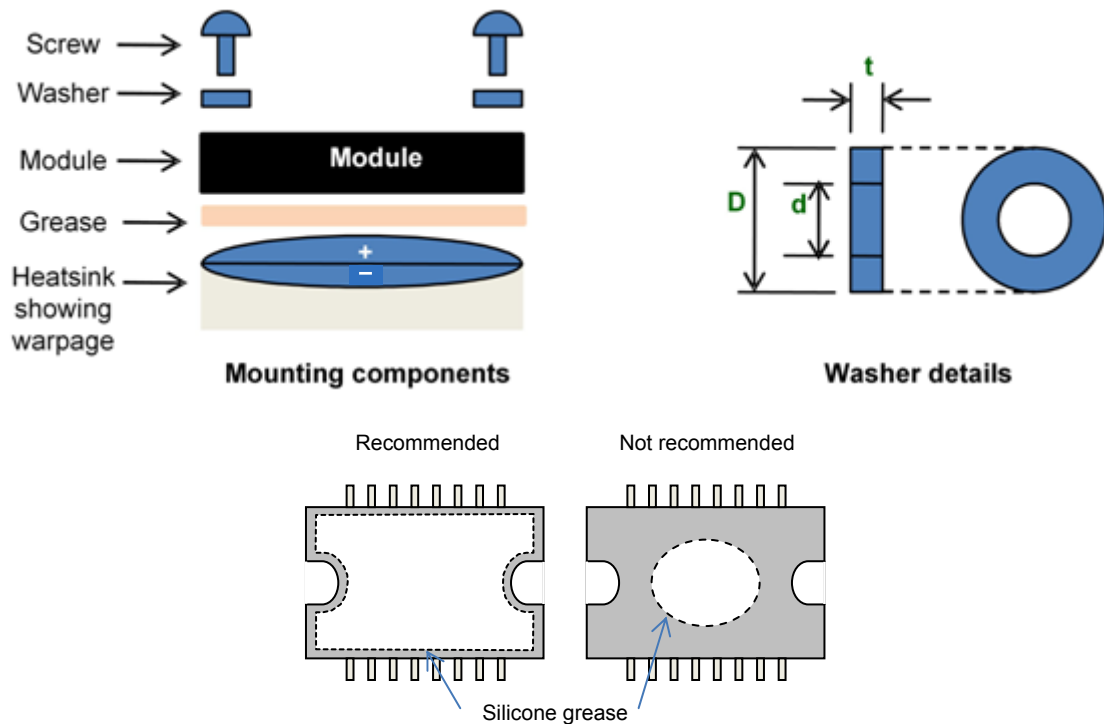


Figure 16. Module Mounting details: components; washer drawing; need for even spreading of thermal grease

# STK5Q4U352J-E

## TEST CIRCUITS

### ■ ICE

	U+	V+	W+	U-	V-	W-
M	38	38	38	32	26	20
N	32	26	20	17	18	19

U+,V+,W+ : High side phase  
 U-,V-,W- : Low side phase

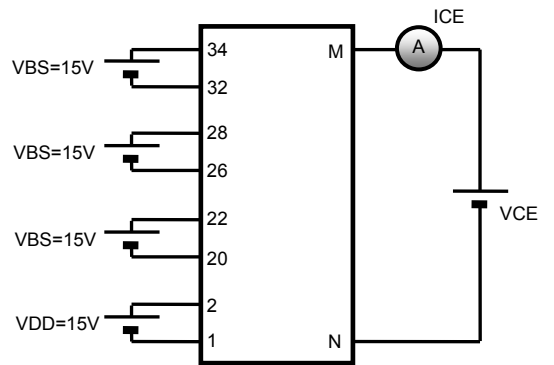


Figure 17. Test Circuit for ICE

### ■ VCE(sat) (Test by pulse)

	U+	V+	W+	U-	V-	W-
M	38	38	38	32	26	20
N	32	26	20	17	18	19
m	3	4	5	6	7	8

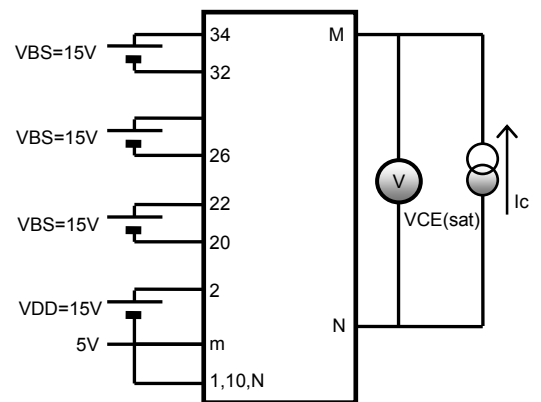


Figure 18. Test circuit for VCE(sat)

### ■ VF (Test by pulse)

	U+	V+	W+	U-	V-	W-
M	38	38	38	32	26	20
N	32	26	20	17	18	19

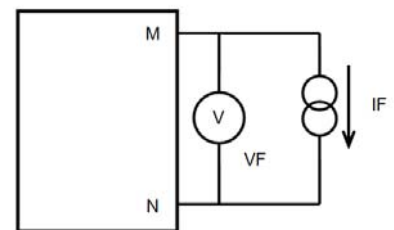


Figure 19. Test circuit for VF

# STK5Q4U352J-E

## ■ RB (Test by pulse)

	U+	V+	W+
M	2	2	2
N	34	28	22

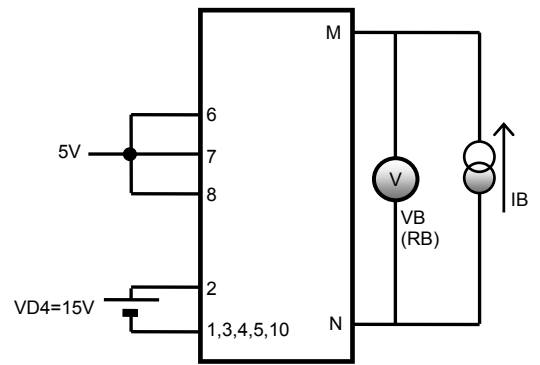


Figure 20. Test circuit for RB

## ■ ID

	VBS U+	VBS V+	VBS W+	V <sub>DD</sub>
M	34	28	22	2
N	32	26	20	1

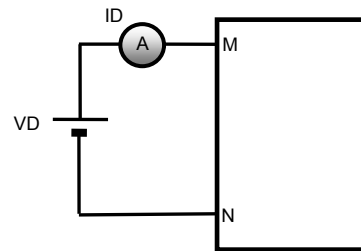


Figure 21. Test circuit for ID

## ■ Switching time (The circuit is a representative example of the low side U phase.)

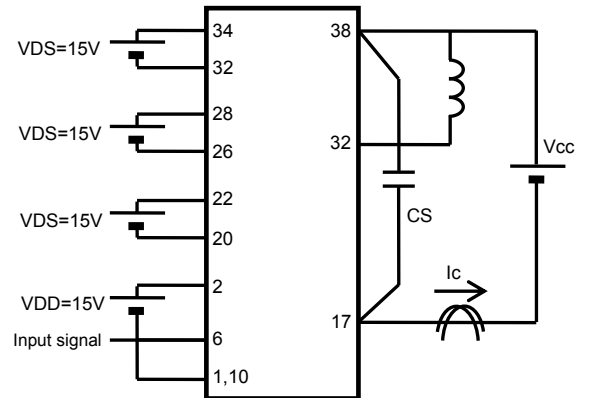
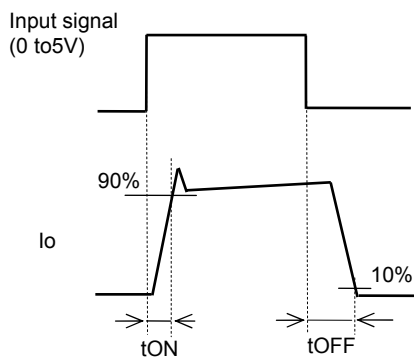
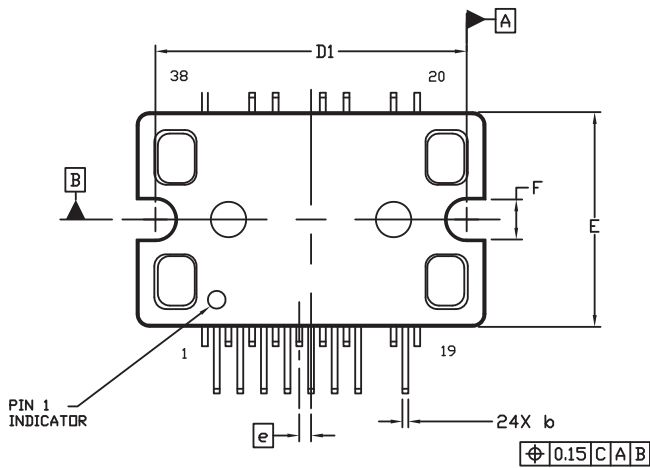


Figure 22. Switching time test circuit

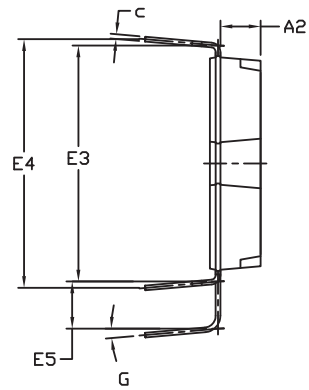
# STK5Q4U352J-E

## PACKAGE DIMENSIONS

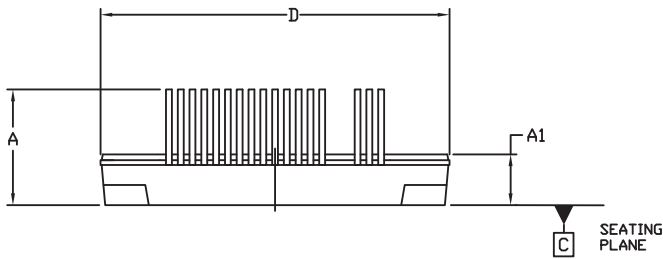
unit : mm



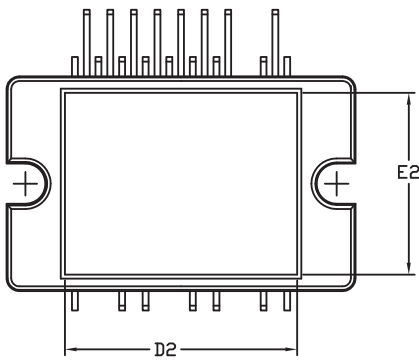
TOP VIEW



END VIEW



SIDE VIEW



BOTTOM VIEW

### NOTES:

1. DIMENSIONING AND TOLERANCING PER ASME Y14.5M, 2009.
2. CONTROLLING DIMENSION: MILLIMETERS
3. DIMENSION b APPLIES TO THE PLATED LEAD AND IS MEASURED BETWEEN 0.10 AND 0.25 FROM THE LEAD TIP.
4. PACKAGE IS MISSING PINS: 15, 16, 21, 23, 24, 25, 27, 29, 30, 31, 33, 35, 36, AND 37.

DIM	MILLIMETERS	
	MIN.	MAX.
A	9.30	10.30
A1	3.80	4.80
A2	2.90	3.90
b	0.45	0.70
c	0.35	0.60
D	29.10	30.10
D1	26.30	26.50
D2	19.20	20.20
E	17.70	18.70
E2	14.90	15.90
E3	19.50	20.50
E4	21.10	REF
E5	3.50	4.50
e	1.00	BSC
F	2.90	3.90
G	4°	6°

## STK5Q4U352J-E

ON Semiconductor and the ON Semiconductor logo are trademarks of Semiconductor Components Industries, LLC dba ON Semiconductor or its subsidiaries in the United States and/or other countries. ON Semiconductor owns the rights to a number of patents, trademarks, copyrights, trade secrets, and other intellectual property. A listing of ON Semiconductor's product/patent coverage may be accessed at [www.onsemi.com/site/pdf/Patent-Marking.pdf](http://www.onsemi.com/site/pdf/Patent-Marking.pdf). ON Semiconductor reserves the right to make changes without further notice to any products herein. ON Semiconductor makes no warranty, representation or guarantee regarding the suitability of its products for any particular purpose, nor does ON Semiconductor assume any liability arising out of the application or use of any product or circuit, and specifically disclaims any and all liability, including without limitation special, consequential or incidental damages. Buyer is responsible for its products and applications using ON Semiconductor products, including compliance with all laws, regulations and safety requirements or standards, regardless of any support or applications information provided by ON Semiconductor. "Typical" parameters which may be provided in ON Semiconductor data sheets and/or specifications can and do vary in different applications and actual performance may vary over time. All operating parameters, including "Typicals" must be validated for each customer application by customer's technical experts. ON Semiconductor does not convey any license under its patent rights nor the rights of others. ON Semiconductor products are not designed, intended, or authorized for use as a critical component in life support systems or any FDA Class 3 medical devices or medical devices with a same or similar classification in a foreign jurisdiction or any devices intended for implantation in the human body. Should Buyer purchase or use ON Semiconductor products for any such unintended or unauthorized application, Buyer shall indemnify and hold ON Semiconductor and its officers, employees, subsidiaries, affiliates, and distributors harmless against all claims, costs, damages, and expenses, and reasonable attorney fees arising out of, directly or indirectly, any claim of personal injury or death associated with such unintended or unauthorized use, even if such claim alleges that ON Semiconductor was negligent regarding the design or manufacture of the part. ON Semiconductor is an Equal Opportunity/Affirmative Action Employer. This literature is subject to all applicable copyright laws and is not for resale in any manner.



Компания «ЭлектроПласт» предлагает заключение долгосрочных отношений при поставках импортных электронных компонентов на взаимовыгодных условиях!

Наши преимущества:

- Оперативные поставки широкого спектра электронных компонентов отечественного и импортного производства напрямую от производителей и с крупнейших мировых складов;
- Поставка более 17-ти миллионов наименований электронных компонентов;
- Поставка сложных, дефицитных, либо снятых с производства позиций;
- Оперативные сроки поставки под заказ (от 5 рабочих дней);
- Экспресс доставка в любую точку России;
- Техническая поддержка проекта, помощь в подборе аналогов, поставка прототипов;
- Система менеджмента качества сертифицирована по Международному стандарту ISO 9001;
- Лицензия ФСБ на осуществление работ с использованием сведений, составляющих государственную тайну;
- Поставка специализированных компонентов (Xilinx, Altera, Analog Devices, Intersil, Interpoint, Microsemi, Aeroflex, Peregrine, Syfer, Eurofarad, Texas Instrument, Miteq, Cobham, E2V, MA-COM, Hittite, Mini-Circuits, General Dynamics и др.);

Помимо этого, одним из направлений компании «ЭлектроПласт» является направление «Источники питания». Мы предлагаем Вам помощь Конструкторского отдела:

- Подбор оптимального решения, техническое обоснование при выборе компонента;
- Подбор аналогов;
- Консультации по применению компонента;
- Поставка образцов и прототипов;
- Техническая поддержка проекта;
- Защита от снятия компонента с производства.



#### Как с нами связаться

**Телефон:** 8 (812) 309 58 32 (многоканальный)

**Факс:** 8 (812) 320-02-42

**Электронная почта:** [org@eplast1.ru](mailto:org@eplast1.ru)

**Адрес:** 198099, г. Санкт-Петербург, ул. Калинина, дом 2, корпус 4, литера А.