

DS3900P2

USB HID Communications Module for I2C Programming

General Description

The DS3900P2 programmer provides bidirectional communication with I2C-compatible devices using a PC's USB port. The DS3900P2 is a small form-factor module that requires appropriate headers to pass communication signals to the device under test. The DS3900P2 is intended to interface with approved Human Interface Device (HID)-compliant PC software designed by Maxim Integrated. It is intended for evaluation purposes only.

EV Kit Contents

- Assembled DS3900P2 Circuit Board
- Micro-USB Cable
- Ribbon Cable

[Ordering Information](#) appears at end of data sheet.

Features

- Communicates from PCs to ICs and Select Maxim Integrated EV Kits Through a USB Port Using the HID Class
- Fast Communication to I2C-Compatible Devices
- Built-In Pullup Resistors for SDA and SCL Minimize Required External Hardware
- Connection to Standard Prototyping Boards and EV Kits Possible Using Header Connectors
- Fully USB Powered
- Can Provide a 3.3V, 250mA Power Rail
- Fully Assembled and Tested Proven PCB Layout
- USB HID Interface for Windows XP®, Windows Vista®, and Windows® 7-Compatible Software
- RoHS Compliant

DS3900P2 USB I2C Programmer



Windows, Windows Vista, and Windows XP are registered trademarks of Microsoft Corp.



Quick Start

Required Equipment

- DS3900P2 EV kit hardware (included)
- Micro-USB cable (included)
- User-supplied PC with Windows XP, Windows Vista, or Windows 7 OS with USB Port
- Approved previously designed HID-compliant GUI designed by Maxim Integrated
- Customer PCB with I²C connection or a previously purchased compatible Maxim Integrated EV kit

Setup Procedure

The DS3900P2 communicates with ICs using a PC's USB port. The microprocessor on the DS3900P2 communicates to the PC using its full-speed compatible USB serial interface engine. The USB interface of the DS3900P2 hardware is configured as an HID device and, therefore, does not require a unique/custom device driver. Once properly connected to a PC through a USB cable, Windows should automatically begin installing the necessary device driver. Once the driver installation is complete, a Windows message appears near the **System Icon** menu indicating that the hardware is ready to use. After the hardware is ready to use, open an approved HID-compliant GUI designed by Maxim Integrated. The GUI then sends commands of various lengths over the USB connection. This provides instruction and data for the DS3900P2 to communicate with the I²C-compatible devices. The DS3900P2 has a 3.3V LDO that supplies power to the microcontroller and optionally to a connected EV kit or PCB. The 3.3V rail supplies up to 250mA.

Table 1. Recommended Operating Conditions

(Typical values are at $V_{CC} = 3.3V$, $T_A = +25^{\circ}C$, unless otherwise noted.) (Notes 1, 2)

PARAMETER	SYMBOL	CONDITIONS	MIN	TYP	MAX	UNITS
Operating Voltage	V_{CC}			3.3		V
Supply Current	I_{CC}	Current provided by 3.3V			250	mA
Input Low Voltage	V_{IL}				$0.15V_{CC}$	V
Input High Voltage	V_{IH}		$0.25V_{CC} + 0.8V$			V
Output Low Voltage	V_{OL}	$I_{OL} = 8.5mA$			+0.6	V
Ambient Temperature	T_A		-40		+85	$^{\circ}C$
I ² C Clock Frequency			100		400	kHz

Note 1: All voltages listed are with respect to ground.

Note 2: Devices are only functionally tested; parameters listed are not guaranteed.

Detailed Description of Hardware

Designing Hardware to Use the Built-In Support for I²C Devices

The DS3900P2 has custom firmware that uses either the master synchronous serial port (MSSP) of the microcontroller configured in I²C mode or several bit-banging routines with support for clock stretching. These two modes of operation are configured through the evaluation software. The DS3900P2 has built-in pullup resistors (R11, R12) that connect 10k Ω resistors to both I²C signals.

Upon initial power-up, the DS3900P2 configures itself in I²C mode using the MSSP block of the microcontroller with a SCL clock speed of 400kHz. Note that most evaluation software configures the DS3900P2 to the desired communication protocol upon initial software execution and during all USB reconnects of the DS3900P2.

For designs that use the DS3900P2 to communicate to I²C devices, the following items must be accounted for in the hardware design:

- Place an appropriate connection on the circuit board.
- Connect GND, SCL, and SDA. 3.3V can also be connected if the DS3900P2 is providing power to the circuit board.
- Drive the DS3900P2 with evaluation software provided by Maxim Integrated.

Note: The DS3900P2 ribbon cable mates with standard 2.54mm (0.100in) 2 x 4 male header connectors. Some Maxim Integrated EV kits provide a 1 x 4 male header for this connection.

Table 2. Pin Description

PIN	FUNCTION
3.3V	Power supply that can be used to power EV kit or customer PCB.
SDA	Data Input/Output for I2C-compatible communication.
GND	Ground Connection. This must be connected to EV kit or customer PCB.
SCL	Clock Output for I2C-compatible communication.

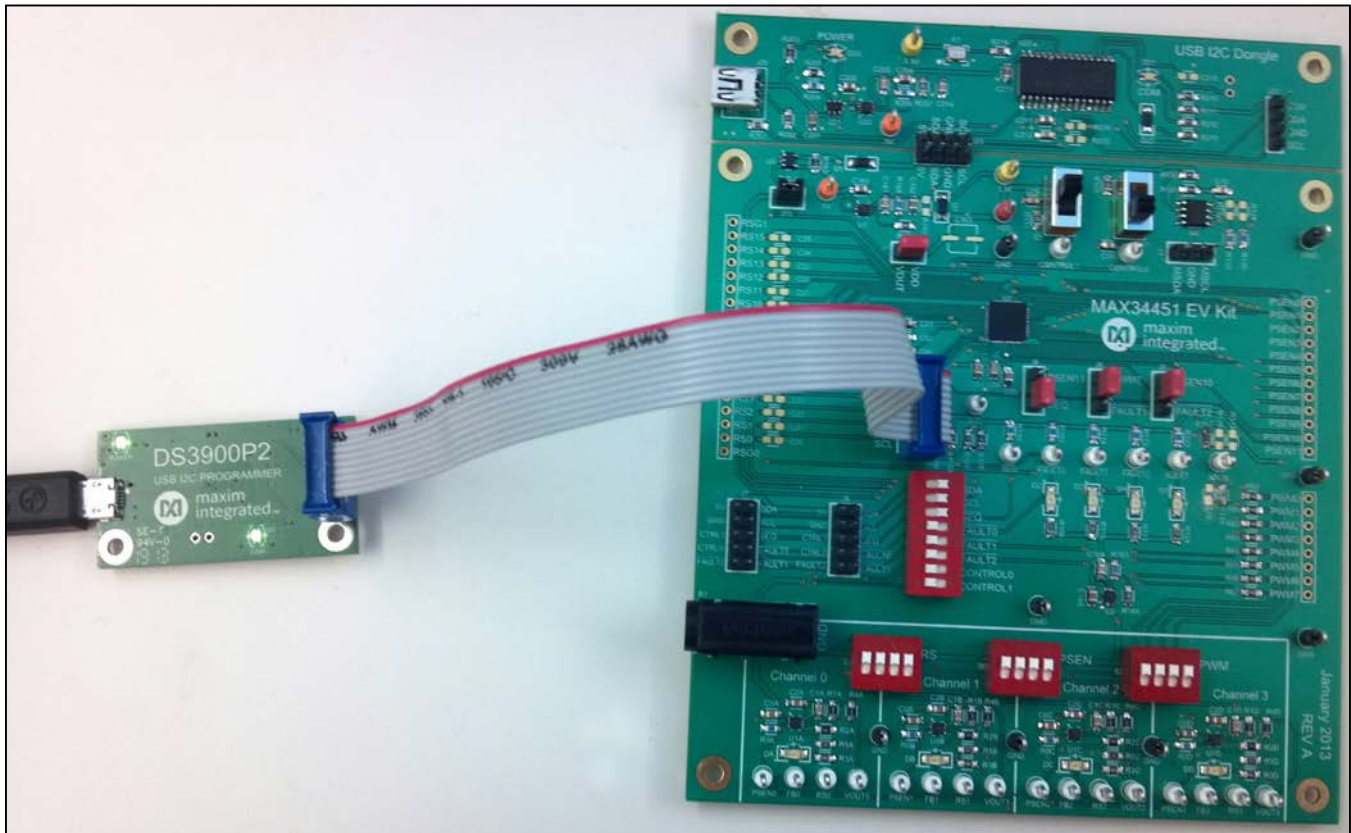


Figure 1. Recommended PCB Connection for DS3900P2

Table 3. Description of LEDs

LED	COLOR	DESCRIPTION
D1 (POWER)	Green	USB Power Fault. The USB power is connected.
	Red	USB Power Fault. A fault occurred due to overvoltage limit, current limit, or thermal limit.
D2 (COM)	Green	Waiting. Software has initialized the hardware. Waiting for user data to be sent from the GUI.
	Red	Communication. After the software has initialized the hardware, the LED flashes red when a command from the PC is received.
	Flashing Red and Orange	Waiting. Hardware is powered on and waiting for the software to be opened

Table 4. Troubleshooting the DS3900P2

SYMPTOM	CHECK	SOLUTION
Windows does not detect hardware.	Is the LED labeled D1 on the DS3900P2 red?	If yes, then the electronic fuse is in a fault state. Inspect for electrical shorts on the PCB and ensure that the PCB is not sitting on a conductive surface.
	USB cable and port?	Try connecting the USB cable to a different USB port on the PC and wait for a Windows message that indicates that the hardware is ready to use. If the device is not detected, unplug the USB cable and reboot the PC. Connect the USB cable.
	Are any of the LEDs illuminated?	If not, then the PCB may not be getting power. Ensure bias is applied to VCC and all three GND terminals are connected to system ground. Verify the USB cable is connected to a PC.

Troubleshooting

All efforts were made to ensure that the DS3900P2 works on the first try, right out of the box. In the rare occasion that a problem is suspected, refer to Table 4 to troubleshoot the issue.

DS3900P2 Revisions

Revisions yielding significant changes and/or improvements are tracked in firmware and are displayed in most evaluation software provided by Maxim Integrated. Revision is broken up into a major and minor revision. For example, if the DS3900P2's revision is 3.2, it returns a major revision of 3, a minor revision of 2. Knowing the revision allows the software to utilize new functions that are not available in previous versions of the DS3900P2's firmware and to avoid using commands that are not present in prior versions. Although there are no plans to change the firmware at this time, Maxim Integrated reserves the right to change the firmware at any time without notice.

Intended Use

The DS3900P2 module is intended only to be used to evaluate Maxim Integrated circuits. All hardware, firmware, and any relative software is provided "as is", without warranty of any kind, express or implied, including, but not limited to, the warranties of merchantability, fitness for a particular purpose, and noninfringement. In no event shall Maxim Integrated be liable for any claim, damages or other liability, whether in an action of contract, tort or otherwise, arising from, out of, or in connection with the hardware, firmware, and any relative software or the use or other dealings in the hardware, firmware, and any relative software.

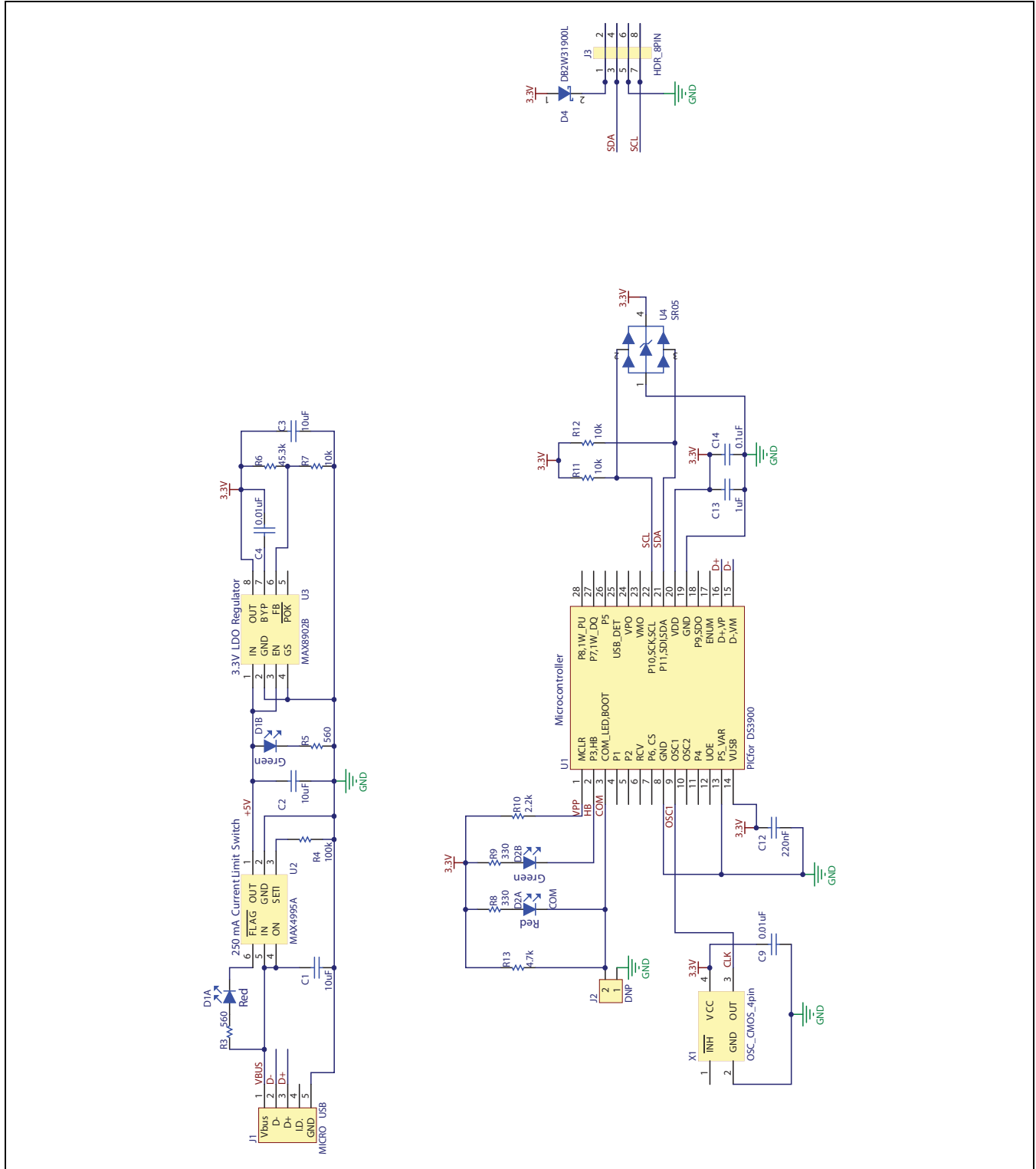


Figure 2. DS3900P2 Schematic

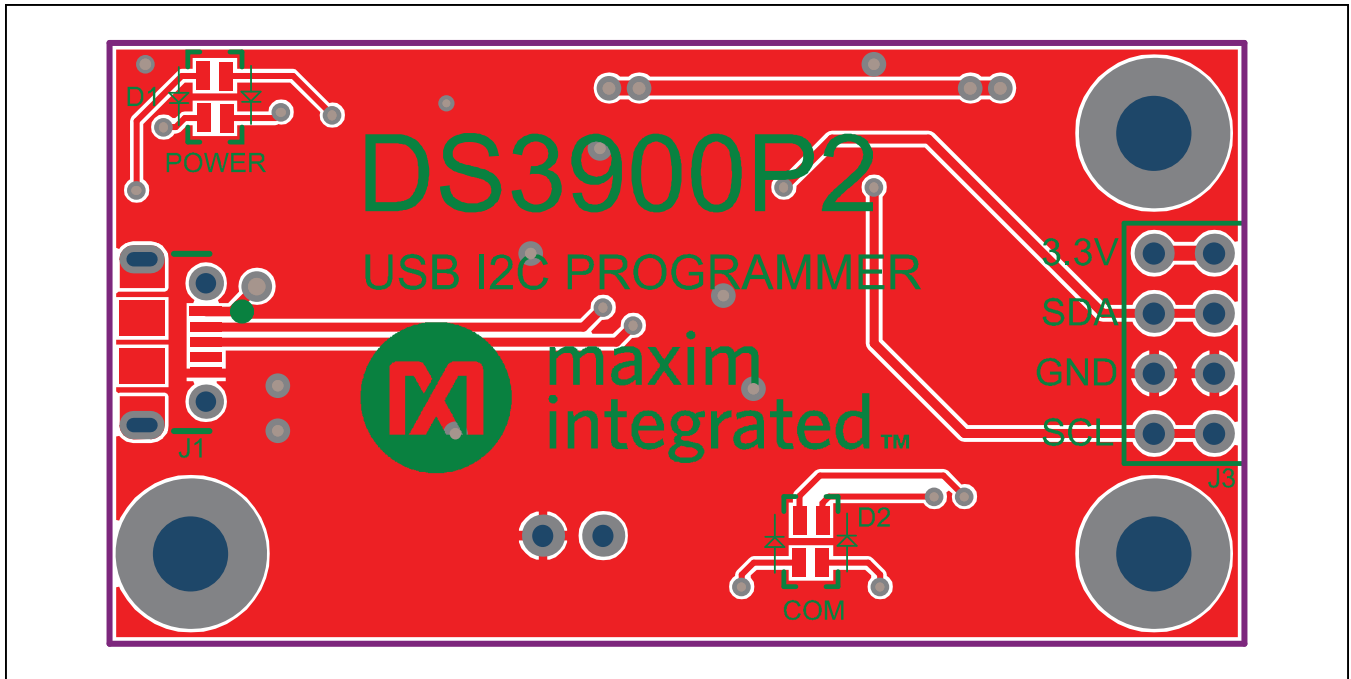


Figure 3. DS3900P2 PCB Layout—Top

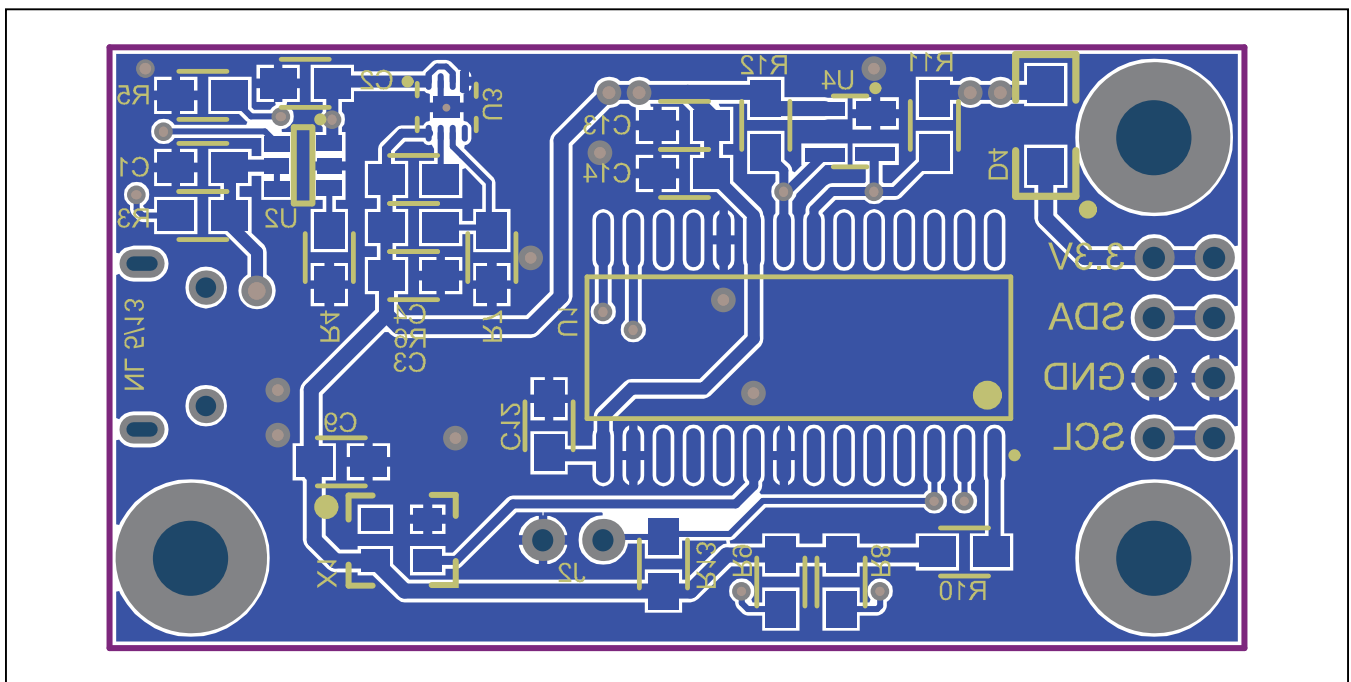


Figure 4. DS3900P2 PCB Layout—Bottom

Component List

COMMENT	DESIGNATOR	QTY	DESCRIPTION
10 μ F	C1, C2, C3	3	10 μ F ceramic capacitors (0805) Taiyo Yuden EMK212ABJ106KD-T
0.01 μ F	C4, C9	2	0.01 μ F ceramic capacitors (0805) Murata GRM21BR72A103K
0.22 μ F	C12	1	0.22 μ F ceramic capacitors (0805) TDK Corp. C2012X7R1H224K
1.0 μ F	C13	1	1.0 μ F ceramic capacitors (0805) TDK Corp. C2012X7R1H105K/SOFT
0.1 μ F	C14	1	0.1 μ F ceramic capacitors (0805) TDK Corp. CGA4J2X7R2A104K
LED_DUAL	D1, D2	2	Red/green dual LEDs Kingbright APHBM2012SURKCGKC
SCHOTTKEY	D4	1	Schottky diode Panasonic - SSGDB2W31900L
MICRO USB	J1	1	5-pin Micro-USB Molex 105017-0001
HDR_8PIN	J3	1	8-pin header 3M 961208-6404-AR
560	R3, R5	2	560 Ω \pm 1% resistors (0805) Vishay/Dale CRCW0805560RFKEA
100k	R4	1	100k Ω \pm 1% resistors (0805) Vishay/Dale CRCW0805100KFKEA
45.3k	R6	1	45.3k Ω \pm 1% resistors (0805) Vishay/Dale CRCW080545K3FKEA
10k	R7, R11, R12	3	10k Ω \pm 1% resistors (0805) Vishay/Dale CRCW080510K0FKEA
330	R8, R9	2	330 Ω \pm 1% resistors (0805) Vishay/Dale CRCW0805330RFKEA
2.2k	R10	1	2.2k Ω \pm 1% resistor (0805) Vishay/Dale CRCW08052K20FKEA
4.7k	R13	1	4.7k Ω \pm 1% resistor (0805) Vishay/Dale CRCW08054K70FKEA
DS3900_PIC	U1	1	Microprocessor Microchip PIC18LF2550-I/SO
MAX4995A	U2	1	Current-limit switch (6 SOT) Maxim Integrated MAX4995AAUT+
MAX8902B	U3	1	Low-noise, LDO regulator (8 TDFN-EP) Maxim Integrated MAX8902BATA+
SR05	U4	1	TVS diode array Littelfuse SR05-02CTG
48MHz	X1	1	4-pin CMOS oscillator AVX KC3225A48.0000C30E00
—	—	1	PCB: DS3900P2 USB I2C PROGRAMMER

Ordering Information

PART	TYPE
DS3900P2EVKIT#	EV Kit Communications Module

#Denotes a RoHS-compliant device that may include lead that is exempt under the RoHS requirements.

Revision History

REVISION NUMBER	REVISION DATE	DESCRIPTION	PAGES CHANGED
0	8/13	Initial release	—

For pricing, delivery, and ordering information, please contact Maxim Direct at 1-888-629-4642, or visit Maxim Integrated's website at www.maximintegrated.com.

Maxim Integrated cannot assume responsibility for use of any circuitry other than circuitry entirely embodied in a Maxim Integrated product. No circuit patent licenses are implied. Maxim Integrated reserves the right to change the circuitry and specifications without notice at any time.



Компания «ЭлектроПласт» предлагает заключение долгосрочных отношений при поставках импортных электронных компонентов на взаимовыгодных условиях!

Наши преимущества:

- Оперативные поставки широкого спектра электронных компонентов отечественного и импортного производства напрямую от производителей и с крупнейших мировых складов;
- Поставка более 17-ти миллионов наименований электронных компонентов;
- Поставка сложных, дефицитных, либо снятых с производства позиций;
- Оперативные сроки поставки под заказ (от 5 рабочих дней);
- Экспресс доставка в любую точку России;
- Техническая поддержка проекта, помощь в подборе аналогов, поставка прототипов;
- Система менеджмента качества сертифицирована по Международному стандарту ISO 9001;
- Лицензия ФСБ на осуществление работ с использованием сведений, составляющих государственную тайну;
- Поставка специализированных компонентов (Xilinx, Altera, Analog Devices, Intersil, Interpoint, Microsemi, Aeroflex, Peregrine, Syfer, Eurofarad, Texas Instrument, Miteq, Cobham, E2V, MA-COM, Hittite, Mini-Circuits, General Dynamics и др.);

Помимо этого, одним из направлений компании «ЭлектроПласт» является направление «Источники питания». Мы предлагаем Вам помощь Конструкторского отдела:

- Подбор оптимального решения, техническое обоснование при выборе компонента;
- Подбор аналогов;
- Консультации по применению компонента;
- Поставка образцов и прототипов;
- Техническая поддержка проекта;
- Защита от снятия компонента с производства.



Как с нами связаться

Телефон: 8 (812) 309 58 32 (многоканальный)

Факс: 8 (812) 320-02-42

Электронная почта: org@eplast1.ru

Адрес: 198099, г. Санкт-Петербург, ул. Калинина, дом 2, корпус 4, литера А.