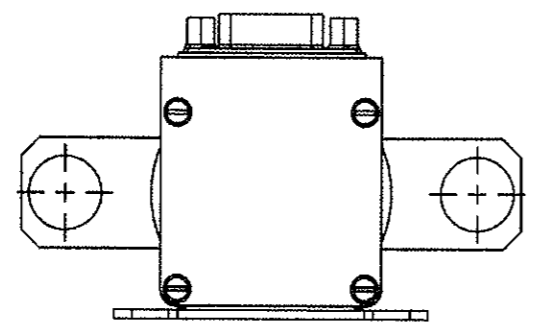
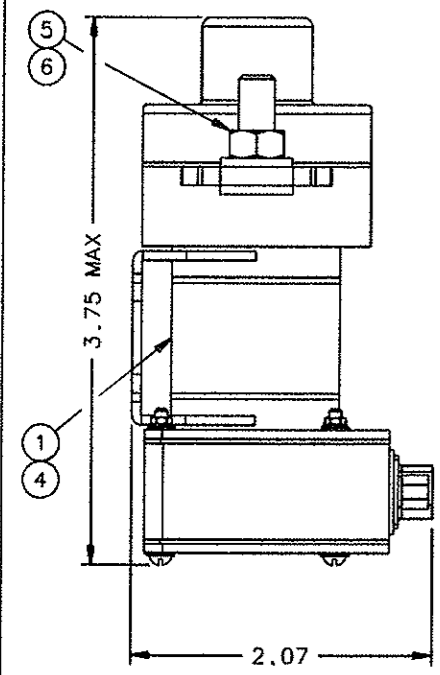
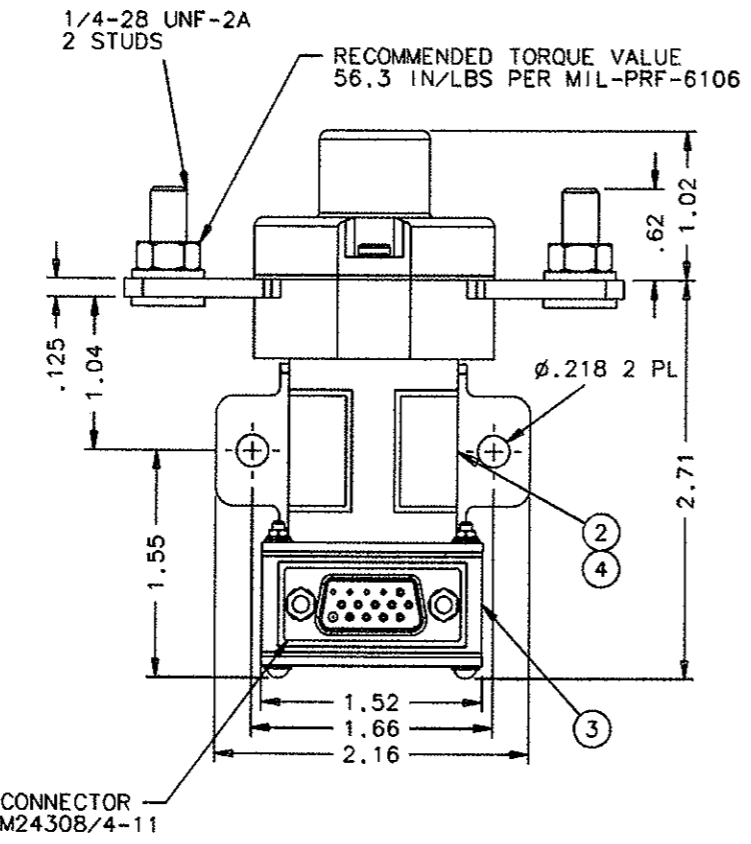
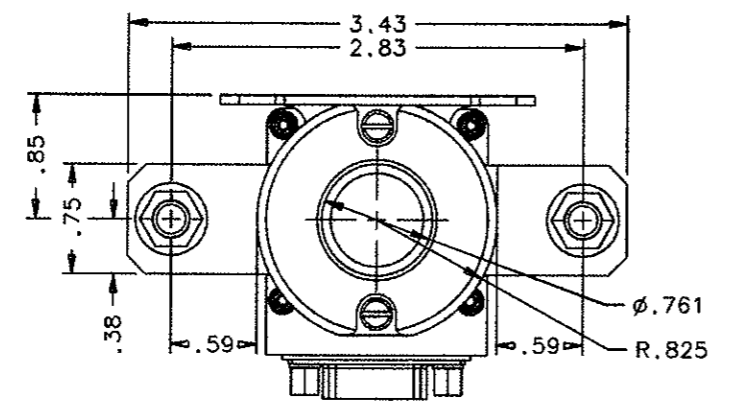


THIS ENTIRE DRAWING IS SUBJECT TO THE FOLLOWING LEGEND:
 THOSE PORTIONS OF THIS TECHNICAL DATA INDICATED AS LIMITED RIGHTS DATA SHALL NOT, WITHOUT THE WRITTEN PERMISSION OF THE ABOVE CONTRACTOR, BE EITHER (a) USED, RELEASED OR DISCLOSED IN WHOLE OR IN PART OUTSIDE THE GOVERNMENT (b) USED IN WHOLE OR IN PART BY THE GOVERNMENT FOR MANUFACTURE OR, IN THE CASE OF COMPUTER SOFTWARE DOCUMENTATION, FOR PREPARING THE SAME OR SIMILAR COMPUTER SOFTWARE, OR (c) USED BY A PARTY OTHER THAN THE GOVERNMENT, EXCEPT FOR: (1) EMERGENCY REPAIR OR OVERHAUL WORK ONLY, BY OR FOR THE GOVERNMENT, WHERE THE ITEM OR PROCESS CONCERNED IS NOT OTHERWISE REASONABLY AVAILABLE TO ENABLE TIMELY PERFORMANCE OF THE WORK, PROVIDED THAT THE RELEASE OR DISCLOSURE HEREOF OUTSIDE THE GOVERNMENT SHALL BE MADE SUBJECT TO A PROHIBITION AGAINST FURTHER USE, RELEASE OR DISCLOSURE; OR (11) RELEASE TO A FOREIGN GOVERNMENT, AS THE INTEREST OF THE UNITED STATES MAY REQUIRE, ONLY FOR INFORMATION OR EVALUATION WITHIN SUCH GOVERNMENT OR FOR EMERGENCY REPAIR OR OVERHAUL WORK BY OR FOR SUCH GOVERNMENT UNDER THE CONDITIONS OF (1) ABOVE. THIS LEGEND, TOGETHER WITH THE INDICATIONS OF THE PORTIONS OF THIS DATA WHICH ARE SUBJECT TO SUCH LIMITATIONS SHALL BE INCLUDED ON ANY REPRODUCTION HEREOF WHICH INCLUDES ANY PART OF THE PORTIONS SUBJECT TO SUCH LIMITATION.

HARTMAN® PROPRIETARY (DO NOT COPY)

REVISIONS		RELEASED	
SYM	DESCRIPTION	DATE	APPROVED
A	44661 REDRAW CONTACT SHEID; REDIMENSION; REMOVED *PRELIMINARY DRAWING*	01/05/11	CC
B	0382-02 UPDATE VIEWS AND SPECIFICATIONS; ADDED *PRELIMINARY DRAWING*	02/05/15	CB
C	0580-02 REMOVED *PRELIMINARY DRAWING*; COIL INRUSH WAS 8 AMP; OPERATE TIME WAS 650 mA; ITEM 3 WAS 44898-060; QTY OF ITEM 4 WAS 1	02/06/21	CC
D	0182-02 RELOCATED BALLOONS 1 & 2	02/10/16	CC



CONSTRUCTION
 MAIN CONTACTS
 CONFIGURATION
 VOLTAGE
 CURRENT
 RESISTIVE OVERLOAD
 INRUSH RUPTURE

AUXILIARY CONTACTS
 CONFIGURATION
 VOLTAGE
 CURRENT
 RESISTIVE INDUCTIVE LAMP
 LOW LEVEL

COIL DATA
 DUTY CYCLE
 MAX OPERATE VOLTAGE
 NOM OPERATE VOLTAGE
 MAX PICKUP VOLTAGE
 DROPOUT VOLTAGE
 COIL CURRENT
 INRUSH HOLD
 OPERATE TIME
 RELEASE TIME
 BOUNCE TIME

ENVIRONMENTAL DATA
 TEMPERATURE
 ALTITUDE

LIFE ELECTRICAL
 LIFE MECHANICAL
 WEIGHT MAX EST.

GASKET SEALED
 SPST N.O. (DOUBLE BREAK)
 28 VDC

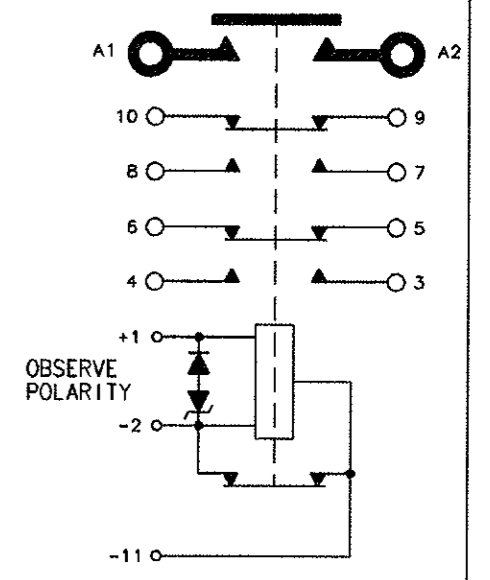
400 AMPS
 450 AMPS FOR 5 MIN.
 1000 AMPS FOR 10 SEC.
 1500 AMPS
 4000 AMPS

2 N.O., 2 N.C.
 28 VDC
 5 AMPS
 2 AMPS
 1 AMP
 1 mA AT 28 VDC

CONTINUOUS (ECONOMIZED)
 32 VDC
 28 VDC
 18 VDC MAX
 9 VDC MAX
 5.5 AMP MAX
 500 mA MAX
 35 mSEC MAX AT 18 TO 32 VDC
 20 mSEC MAX AT 28 VDC
 5 mSEC MAX AT 18 TO 32 VDC

-55°C TO 85°C
 50,000 FEET

50,000 CYCLES MIN.
 100,000 CYCLES MIN.
 .77 LBS.



- NOTES:
1. COIL TRANSIENT VOLTAGE LIMITED TO ±42 VOLTS REFERENCED TO ZERO VOLTS.
 2. AUXILIARY CONTACTS ARE GOLD PLATED.
 3. 1 MILLIAMPERE RATING DOES NOT APPLY IF CONTACTS HAVE SWITCHED LOADS ABOVE 1 MILLIAMPERE.
 4. CONNECTION -11 IS PROVIDED TO ENSURE OPTIMUM PERFORMANCE DURING STARTING. WHEN USED AS A START CONTACTOR, POSITIVE VOLTAGE IS APPLIED TO CONNECTION +1, AND NEGATIVE TO CONNECTION -11. FOR CONTINUOUS DUTY OPERATION, POSITIVE VOLTAGE IS APPLIED TO CONNECTION +1, AND NEGATIVE TO CONNECTION -2.
 5. IF CONNECTION -11 IS USED, THE COILS DUTY CYCLE IS INTERMITTENT.

FIND NO	QTY REQD	PART OR IDENTIFYING NO	NOMENCLATURE OR DESCRIPTION	CAGE NO	DRAWING OR SPECIFICATION	MATERIAL OR NOTE
6	2	51807-034	WASHER - LOCK NO. 1/4 SPLIT TYP.			BRONZE
5	2	50407-074	NUT 1/4-28 X 3/8 X 3/16 HEX			BRASS
4	2	39529-059	OVERLAY			
3	1	44898-070	CONTACTOR ASSEMBLY - PRIMARY			
2	1	44900-003	PLATE - SCHEMATIC DIAGRAM			
1	1	44899-008	PLATE - NAME			

UNLESS OTHERWISE SPECIFIED DIMENSIONS ARE IN INCHES TOLERANCES ON		DR BY CSC 02/10/21		Hartman Division, 175 N. DIAMOND STREET, WANSFIELD, OHIO 44902 CONTACTOR-SPST N.O. 400 AMP, 28 VDC 093	
2 PL DEC.	±.06	3 PL DEC.	±.010		
MATERIAL		CHK BY	CC 02/10/23	DWG NO.	
		ENGR	LSJ 02/10/24	K-400A5C	
		MFG	838 02/10/24	REF TYCO P/N 0-1616069-1	
		SIZE	B	SCALE 1/1 SHEET	
		CODE IDENT	74063		



Компания «ЭлектроПласт» предлагает заключение долгосрочных отношений при поставках импортных электронных компонентов на взаимовыгодных условиях!

Наши преимущества:

- Оперативные поставки широкого спектра электронных компонентов отечественного и импортного производства напрямую от производителей и с крупнейших мировых складов;
- Поставка более 17-ти миллионов наименований электронных компонентов;
- Поставка сложных, дефицитных, либо снятых с производства позиций;
- Оперативные сроки поставки под заказ (от 5 рабочих дней);
- Экспресс доставка в любую точку России;
- Техническая поддержка проекта, помощь в подборе аналогов, поставка прототипов;
- Система менеджмента качества сертифицирована по Международному стандарту ISO 9001;
- Лицензия ФСБ на осуществление работ с использованием сведений, составляющих государственную тайну;
- Поставка специализированных компонентов (Xilinx, Altera, Analog Devices, Intersil, Interpoint, Microsemi, Aeroflex, Peregrine, Syfer, Eurofarad, Texas Instrument, Miteq, Cobham, E2V, MA-COM, Hittite, Mini-Circuits, General Dynamics и др.);

Помимо этого, одним из направлений компании «ЭлектроПласт» является направление «Источники питания». Мы предлагаем Вам помощь Конструкторского отдела:

- Подбор оптимального решения, техническое обоснование при выборе компонента;
- Подбор аналогов;
- Консультации по применению компонента;
- Поставка образцов и прототипов;
- Техническая поддержка проекта;
- Защита от снятия компонента с производства.



Как с нами связаться

Телефон: 8 (812) 309 58 32 (многоканальный)

Факс: 8 (812) 320-02-42

Электронная почта: org@eplast1.ru

Адрес: 198099, г. Санкт-Петербург, ул. Калинина, дом 2, корпус 4, литера А.